



US00D561834S

(12) **United States Design Patent**
Cetera

(10) **Patent No.:** **US D561,834 S**

(45) **Date of Patent:** **** Feb. 12, 2008**

(54) **PEN CLIP**

(75) Inventor: **Carl Cetera**, Tenafly, NJ (US)

(73) Assignee: **Cotapaxi Custom Design and Manufacturing, LLC**, Carlstadt, NJ (US)

(**) Term: **14 Years**

(21) Appl. No.: **29/249,054**

(22) Filed: **Sep. 18, 2006**

(51) **LOC (8) Cl.** **19-06**

(52) **U.S. Cl.** **D19/56**

(58) **Field of Classification Search** D19/35,
D19/36, 41-51, 53-57; 24/11 R, 11 F, 11 P;
401/52, 99, 100, 104, 105, 106, 107, 108,
401/109, 192, 195, 196

See application file for complete search history.

(56) **References Cited**

U.S. PATENT DOCUMENTS

D411,237 S *	6/1999	Izushima	D19/66
D435,065 S *	12/2000	Nagel	D19/50
D465,237 S *	11/2002	Qiu	D19/43
D475,087 S *	5/2003	Stropkay et al.	D19/56
D490,851 S *	6/2004	Losel	D19/51
D493,835 S *	8/2004	Andrews et al.	D19/56
D498,496 S *	11/2004	Volk	D19/54
D500,522 S *	1/2005	Rommel	D19/51
D508,951 S *	8/2005	Cetera	D19/51
D517,330 S *	3/2006	Cetera	D6/302

D521,556 S *	5/2006	Cetera	D19/51
7,086,798 B1 *	8/2006	Cetera	401/195
7,156,570 B2 *	1/2007	Cetera	401/6
D536,733 S *	2/2007	Cetera	D19/51
2006/0228162 A1 *	10/2006	Cetera	401/195

OTHER PUBLICATIONS

U.S. Appl. No. 11/101,327, Carl Cetera.

* cited by examiner

Primary Examiner—Elizabeth A. Albert

(74) *Attorney, Agent, or Firm*—The Soni Law Firm

(57) **CLAIM**

The ornamental design for a pen clip, as shown and described.

DESCRIPTION

FIG. 1 is a front side bottom perspective view of a pen clip showing my new design;

FIG. 2 is a front elevational view thereof;

FIG. 3 is a right side elevational view thereof which is a mirror image of the left side thereof;

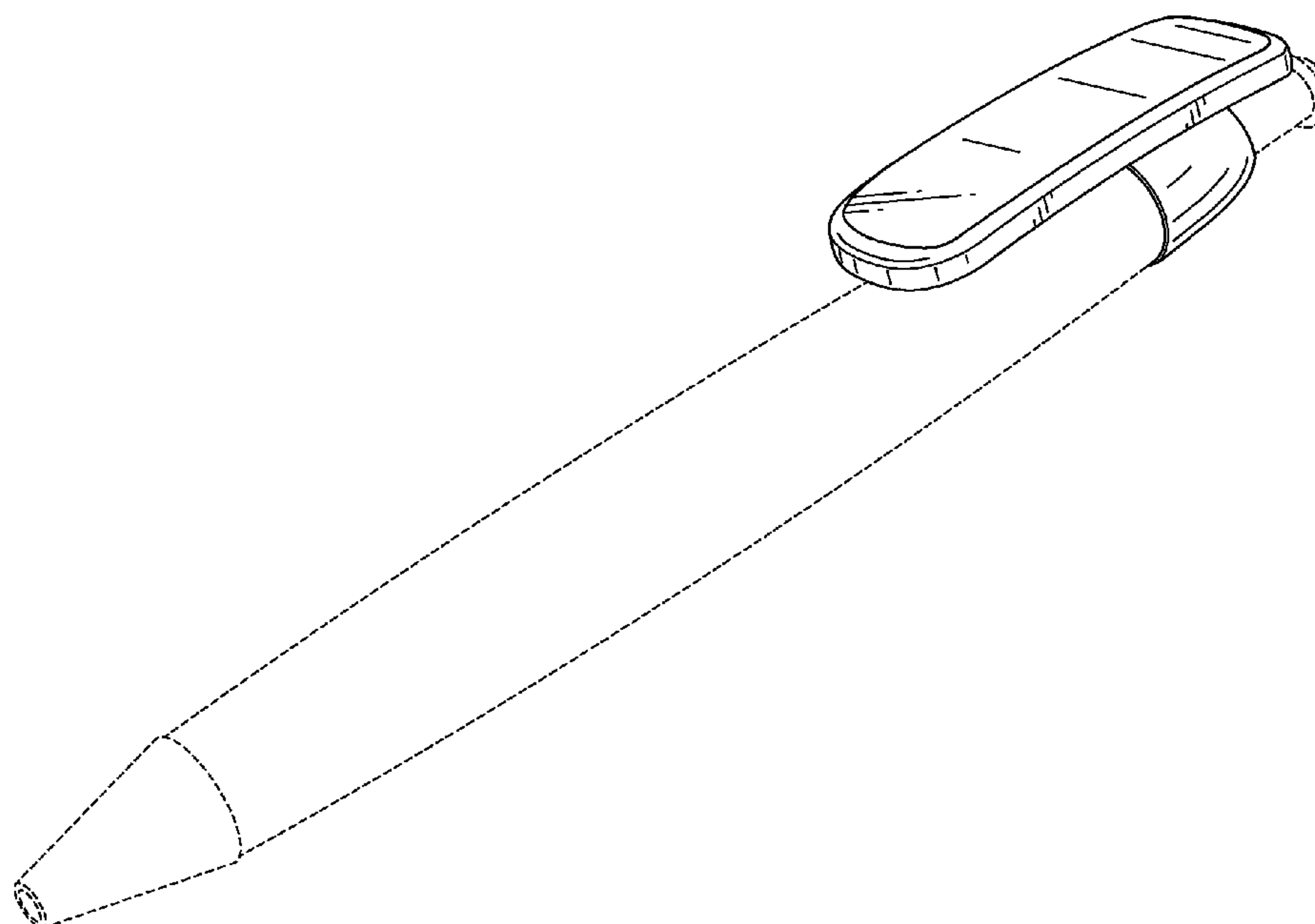
FIG. 4 is a back elevational view thereof;

FIG. 5 is a bottom plan view thereof; and,

FIG. 6 is a top plan view thereof.

The broken lines showing the pen body and inside of the collar are included for the purpose of illustrating environmental structure forming no part of the claimed design.

1 Claim, 1 Drawing Sheet



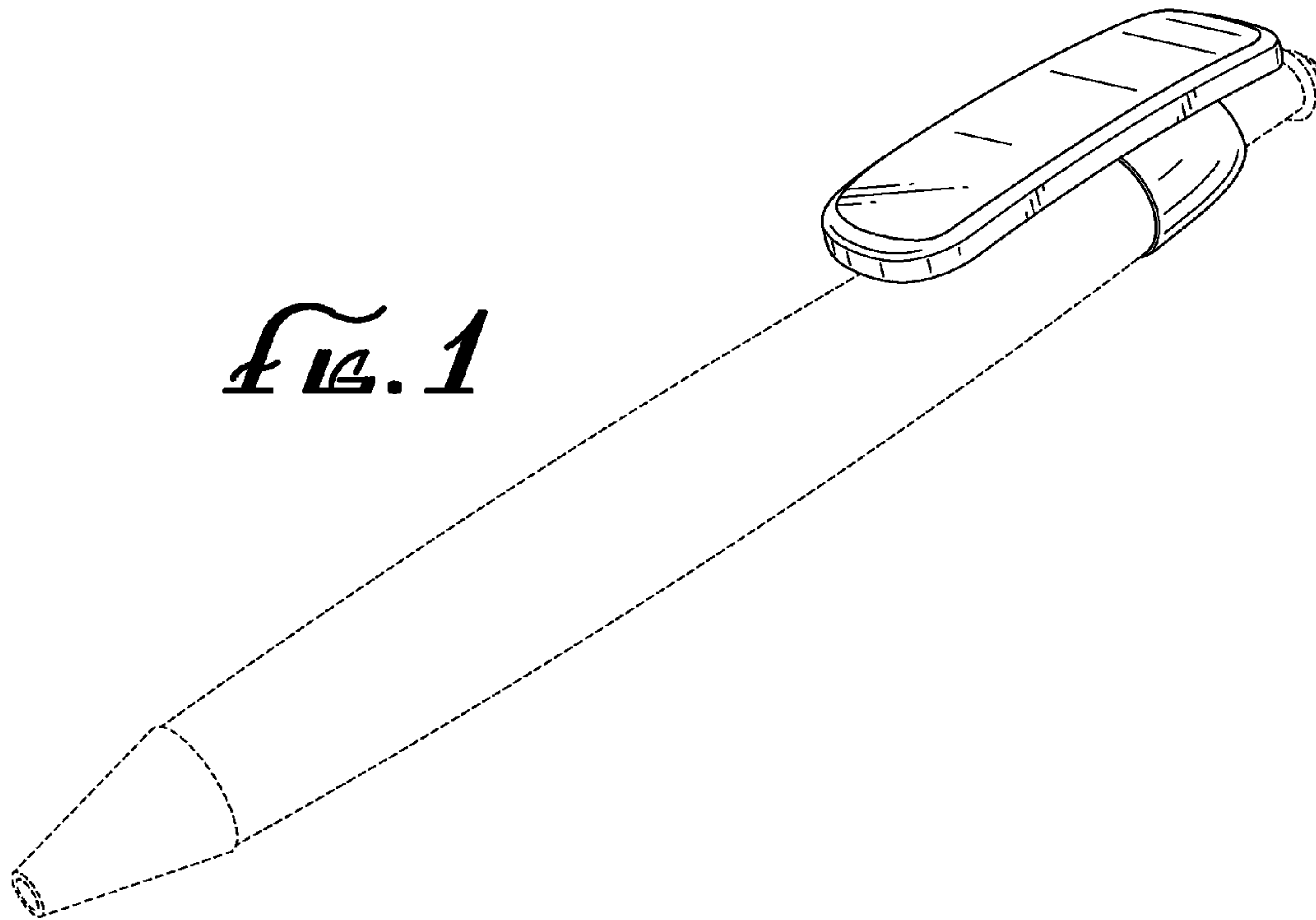


FIG. 1

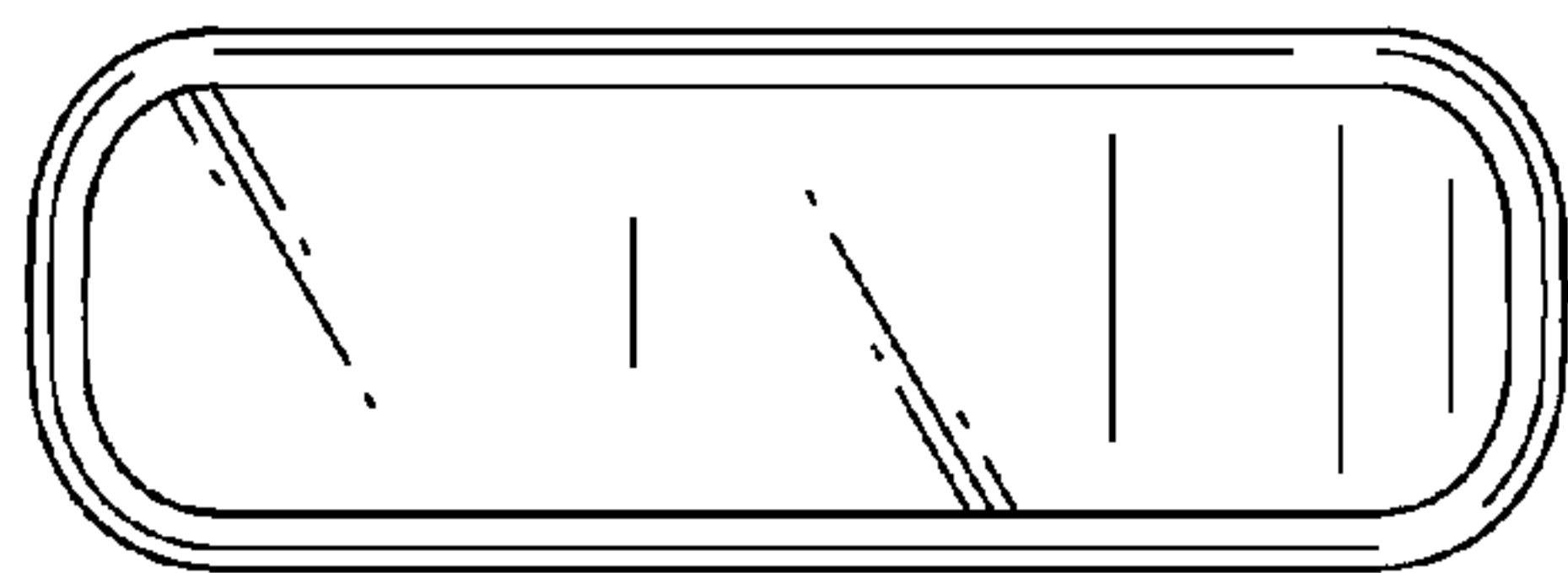


FIG. 2

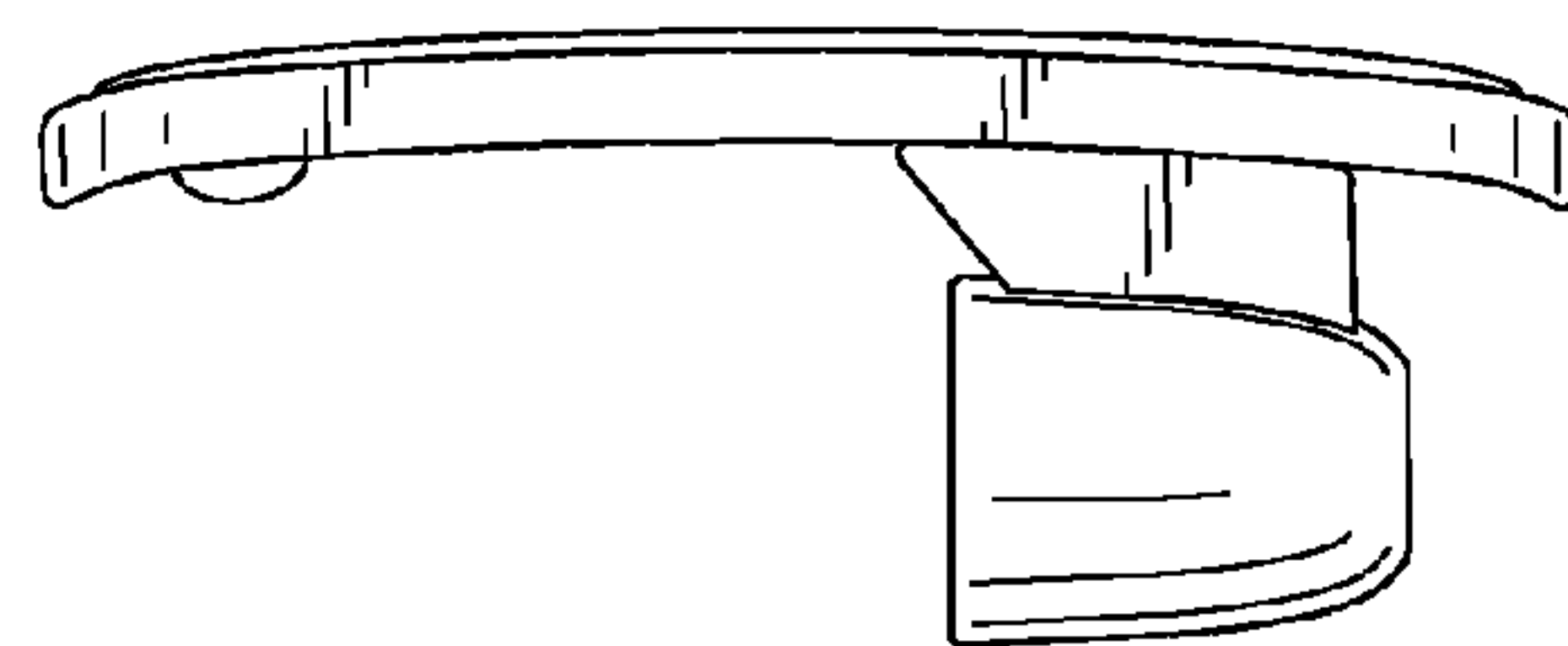


FIG. 3

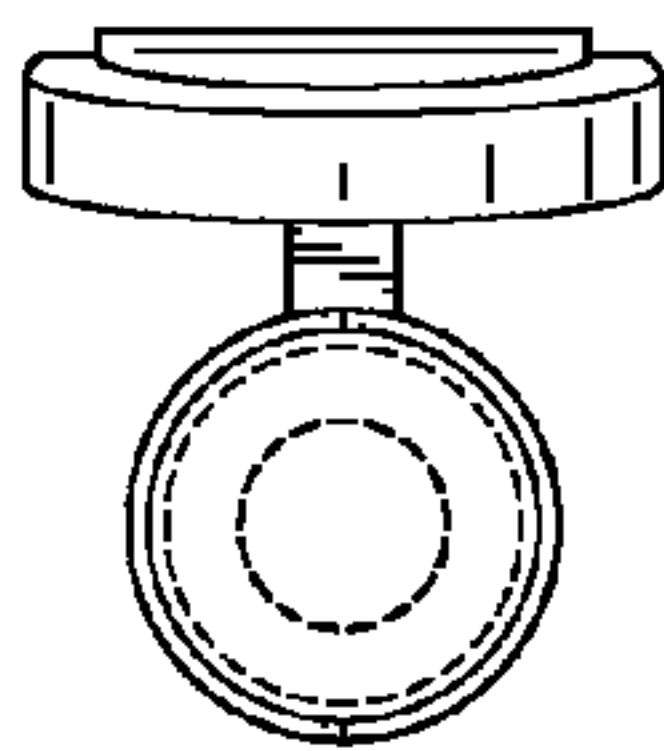


FIG. 5

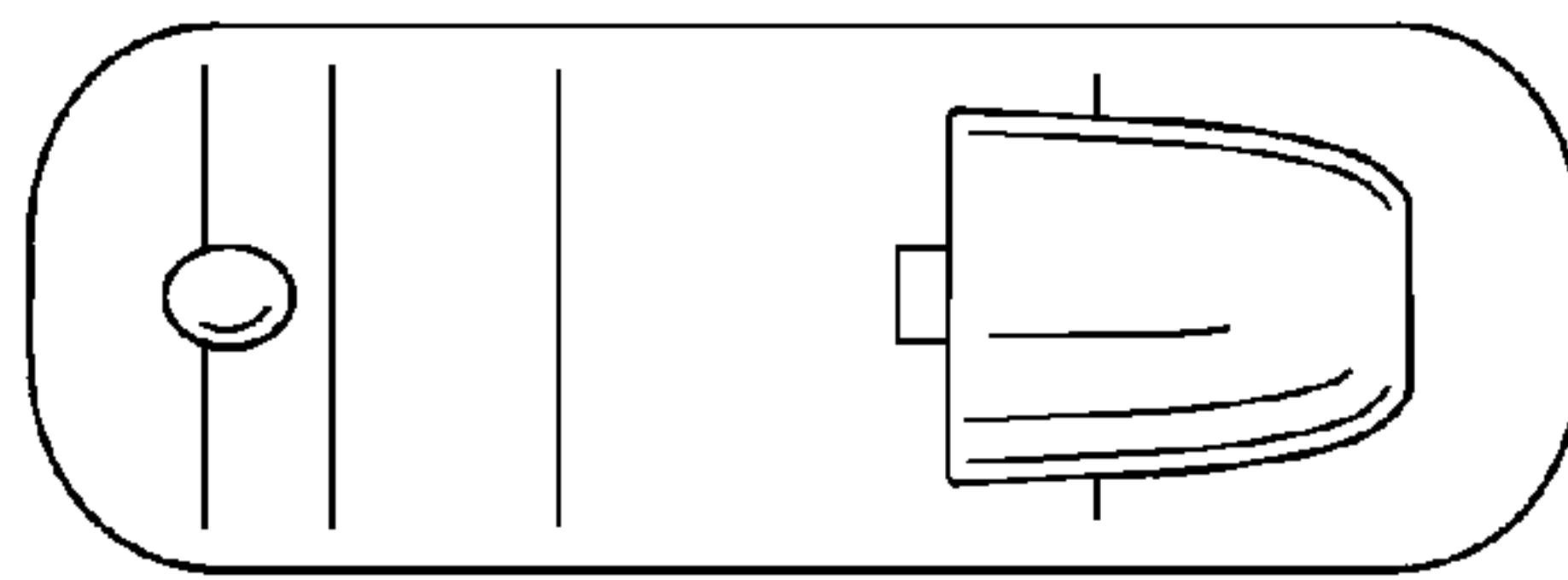


FIG. 4

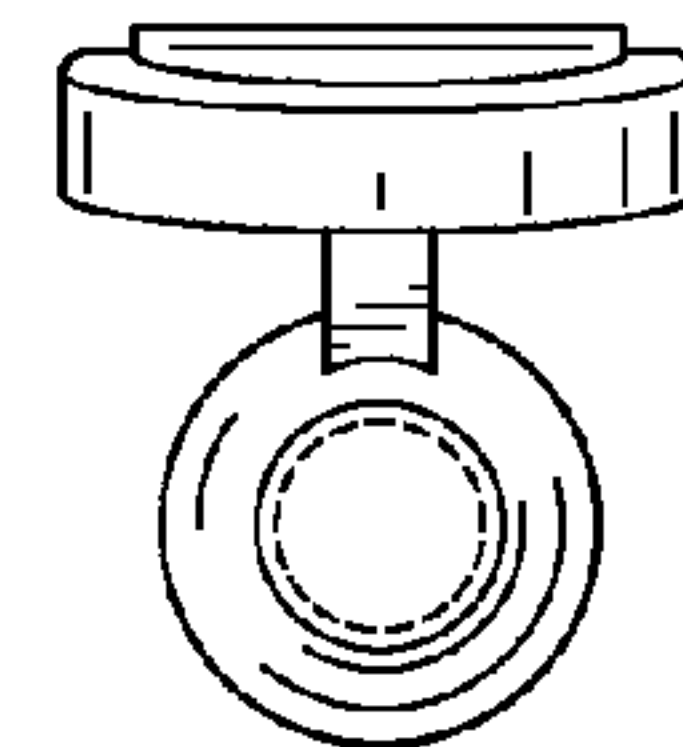


FIG. 6