



US00D561833S

(12) **United States Design Patent**
Cetera

(10) **Patent No.:** **US D561,833 S**

(45) **Date of Patent:** **** Feb. 12, 2008**

(54) **PEN CLIP**

(75) Inventor: **Carl Cetera**, Tenafly, NJ (US)

(73) Assignee: **Cotapaxi Custom Design and Manufacturing, LLC**, Carlstadt, NJ (US)

(**) Term: **14 Years**

(21) Appl. No.: **29/248,163**

(22) Filed: **Jul. 31, 2006**

Related U.S. Application Data

(62) Division of application No. 29/246,312, filed on Mar. 30, 2006, now Pat. No. Des. 543,586.

(51) **LOC (8) Cl.** **19-06**

(52) **U.S. Cl.** **D19/56**

(58) **Field of Classification Search** D19/35,
D19/36, 41-51, 53-57; 24/11 R, 11 F, 11 P;
401/52, 99, 100, 104, 105, 106, 107, 108,
401/109, 192, 195, 196

See application file for complete search history.

(56) **References Cited**

U.S. PATENT DOCUMENTS

D395,447 S * 6/1998 Izushima D19/49
D466,156 S * 11/2002 Nakazawa D19/51
6,685,374 B1 2/2004 Cetera
D489,761 S 5/2004 Cetera
D494,219 S * 8/2004 Arita D19/51
D496,688 S * 9/2004 Nishida D19/51
D504,699 S * 5/2005 Tsuchikura D19/56

D508,954 S 8/2005 Cetera
7,018,123 B1 3/2006 Cetera
D523,477 S 6/2006 Cetera
D533,903 S * 12/2006 Cetera D19/56
D539,845 S * 4/2007 Hamilton et al. D19/50

FOREIGN PATENT DOCUMENTS

WO DM/067429 * 1/2006

OTHER PUBLICATIONS

U.S. Appl. No. 29/249,054, Carl Cetera.
U.S. Appl. No. 29/248,444, Carl Cetera.

* cited by examiner

Primary Examiner—Elizabeth A. Albert

(74) *Attorney, Agent, or Firm*—The Soni Law Firm

(57) **CLAIM**

The ornamental design for a pen clip, as shown and described.

DESCRIPTION

FIG. 1 is a front side bottom perspective view of a pen clip showing my new design;

FIG. 2 is a side elevation view thereof;

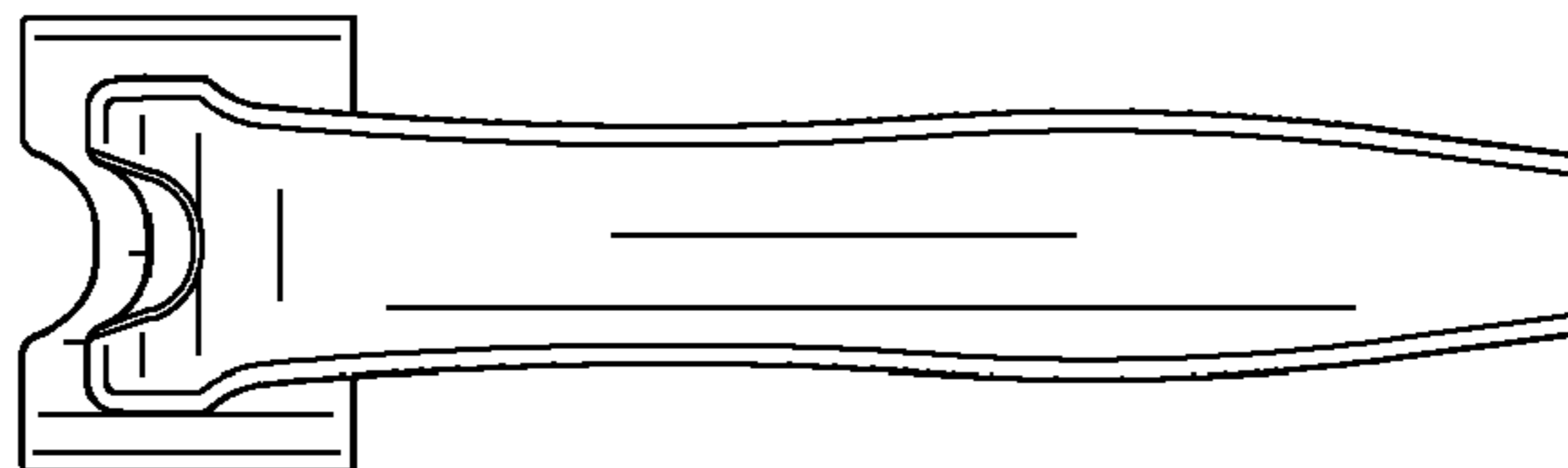
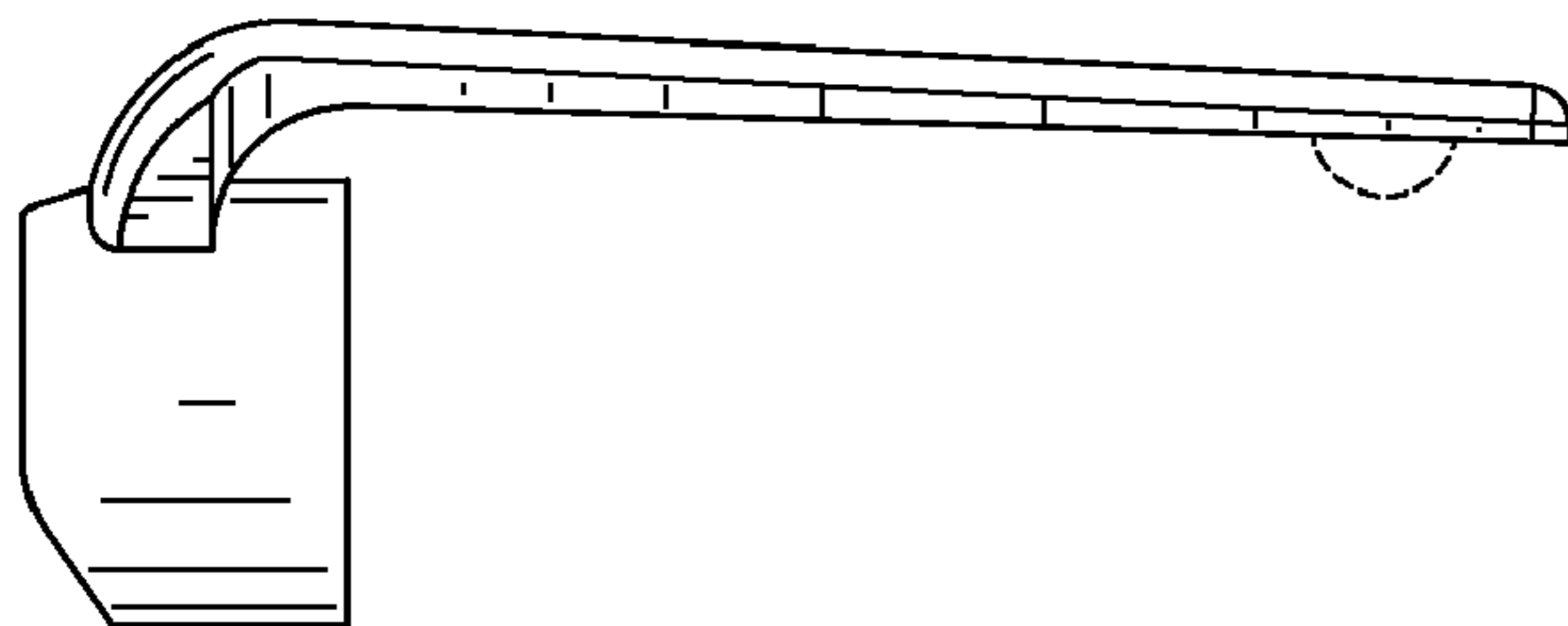
FIG. 3 is a front elevation view thereof;

FIG. 4 is a bottom plan view thereof; and,

FIG. 5 is a top plan view thereof.

The broken lines depicting environmental structure are included for illustrative purposes only and form no part of the claimed design.

1 Claim, 1 Drawing Sheet



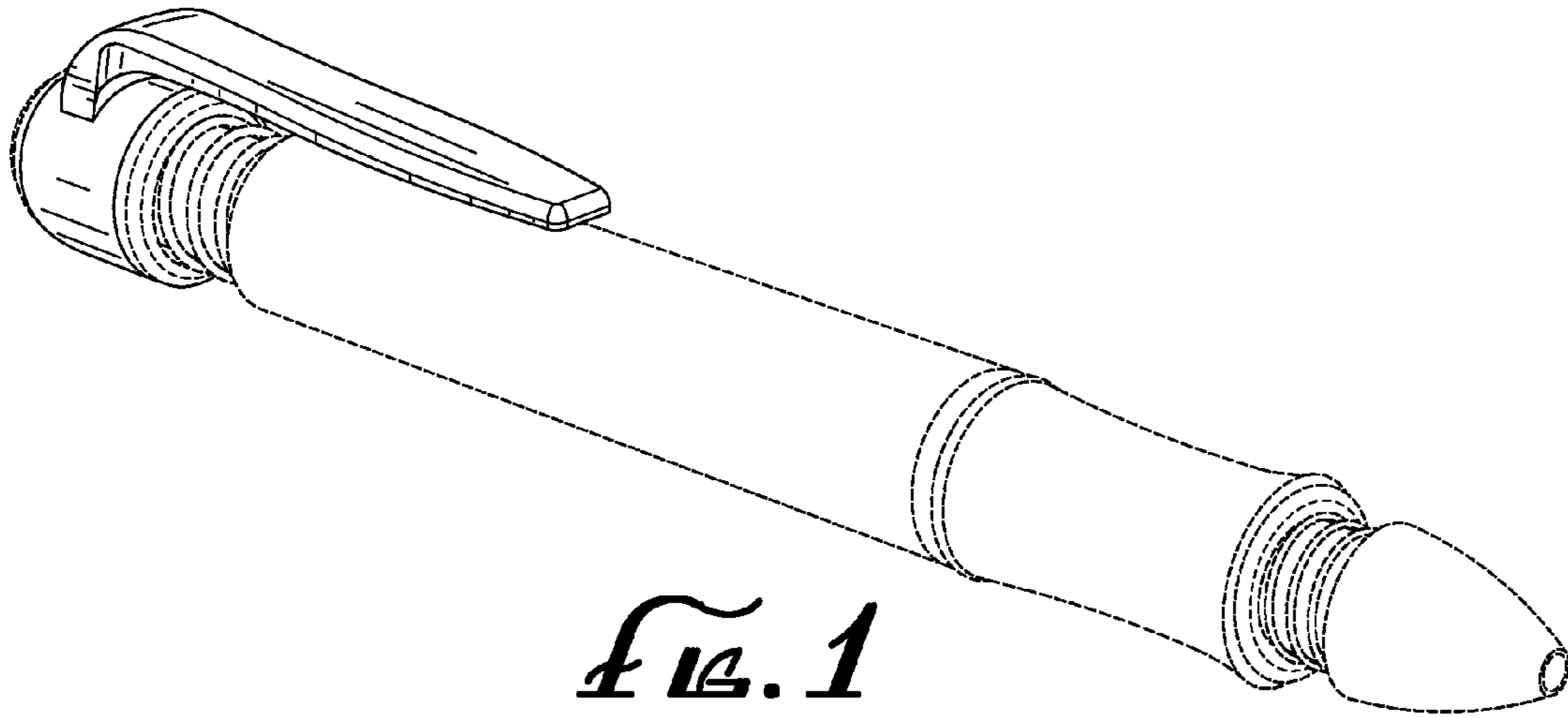


FIG. 1

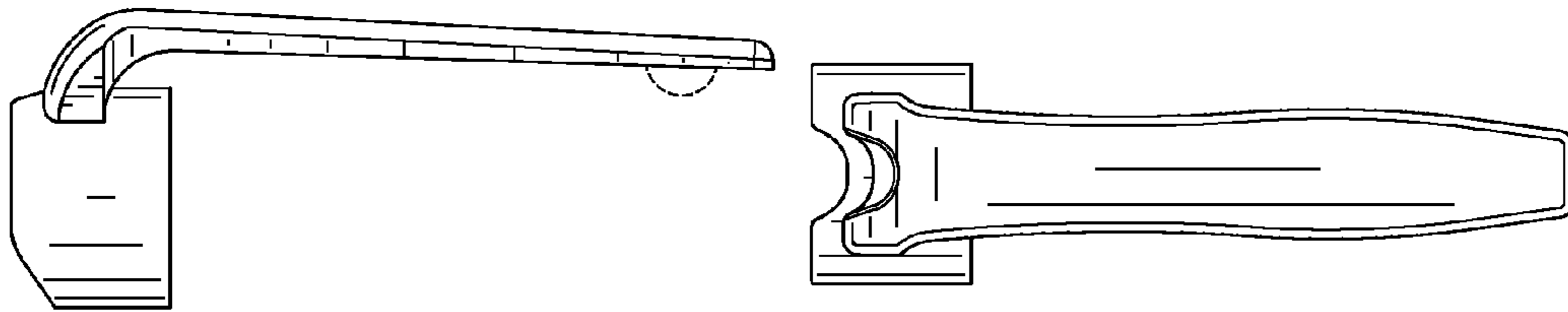


FIG. 2

FIG. 3

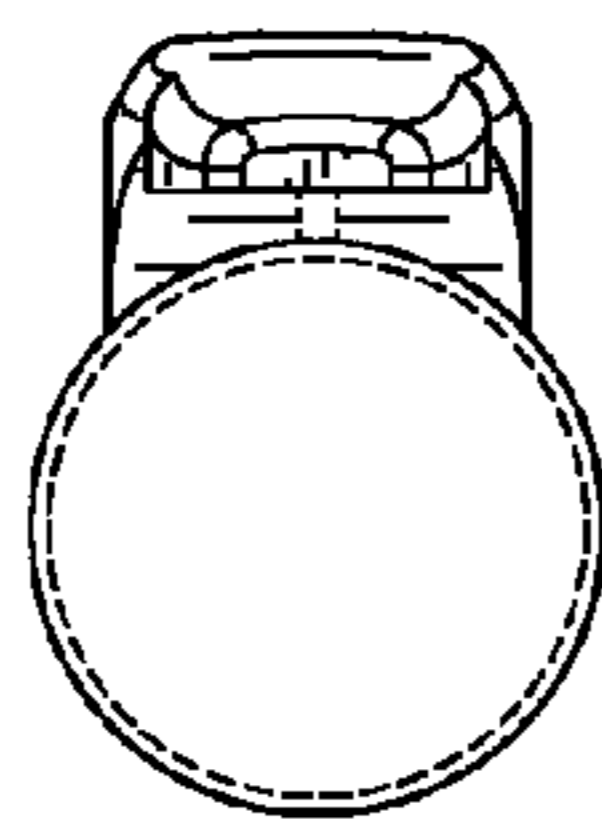


FIG. 4

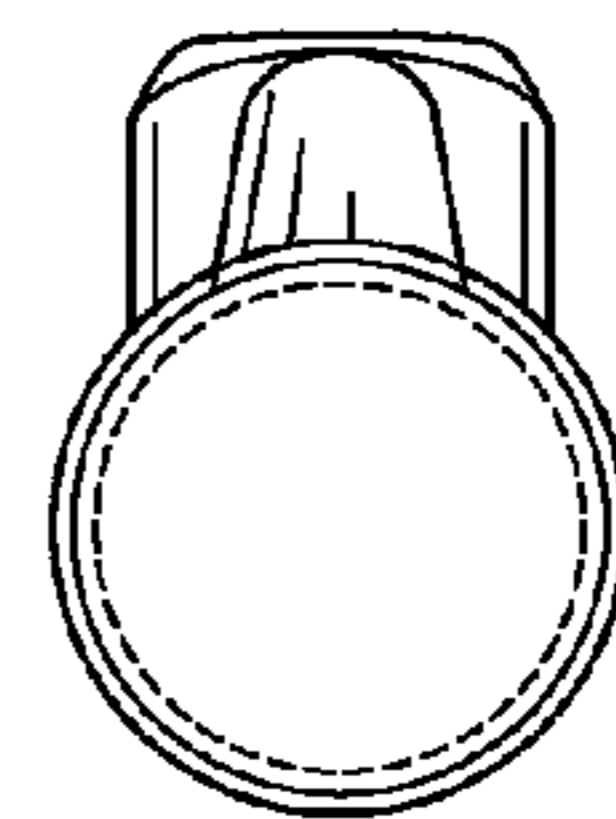


FIG. 5