



US00D561827S

(12) **United States Design Patent**
Valdimarsson

(10) **Patent No.:** **US D561,827 S**

(45) **Date of Patent:** **** Feb. 12, 2008**

(54) **BOOKEND**

(76) Inventor: **Úlfar Örn Valdimarsson**, Ásvallaġotu
21, Reykjavik (IS) 101

(**) Term: **14 Years**

(21) Appl. No.: **29/277,908**

(22) Filed: **Mar. 13, 2007**

(51) **LOC (8) Cl.** **06-06**

(52) **U.S. Cl.** **D19/34.4**; D19/34.1

(58) **Field of Classification Search** D19/1-12,
D19/20-34.5; D21/108, 157, 478, 479, 499,
D21/585, 591, 599; D20/29-35; 52/591.1;
273/156, 160; 446/125, 290, 197; 283/57-59
See application file for complete search history.

(56) **References Cited**

U.S. PATENT DOCUMENTS

D76,113 S *	8/1928	Anderson	D19/34.4
D86,794 S *	4/1932	Mess	D19/34.4
D111,236 S *	9/1938	Beer	D19/34.1
D130,610 S *	12/1941	Boyce	D19/34.1
D132,946 S *	7/1942	Weil	D19/34.4
D154,009 S *	5/1949	Witzke	D19/34.4
D194,425 S *	1/1963	Hungerford	D19/34.1
D245,804 S *	9/1977	Cone	D21/599
D337,629 S *	7/1993	Lal	D21/599
D370,037 S *	5/1996	Berggreen	D21/597
D428,440 S *	7/2000	Weyer	D19/34.1

D441,800 S * 5/2001 Wells et al. D20/30

* cited by examiner

Primary Examiner—Stella M. Reid

Assistant Examiner—Susan E Krakower

(74) *Attorney, Agent, or Firm*—Stephen M. Nipper; Dykas,
Shaver & Nipper, LLP

(57) **CLAIM**

I claim the ornamental design for a bookend, as shown and described.

DESCRIPTION

FIG. 1 is a perspective view of the first embodiment of the bookend showing my new design;

FIG. 2 is a perspective view of the second embodiment of the bookend showing my new design;

FIG. 3 is a side elevational view of both embodiments, the opposite side being a mirror image thereof;

FIG. 4 is a top plan view of FIG. 1;

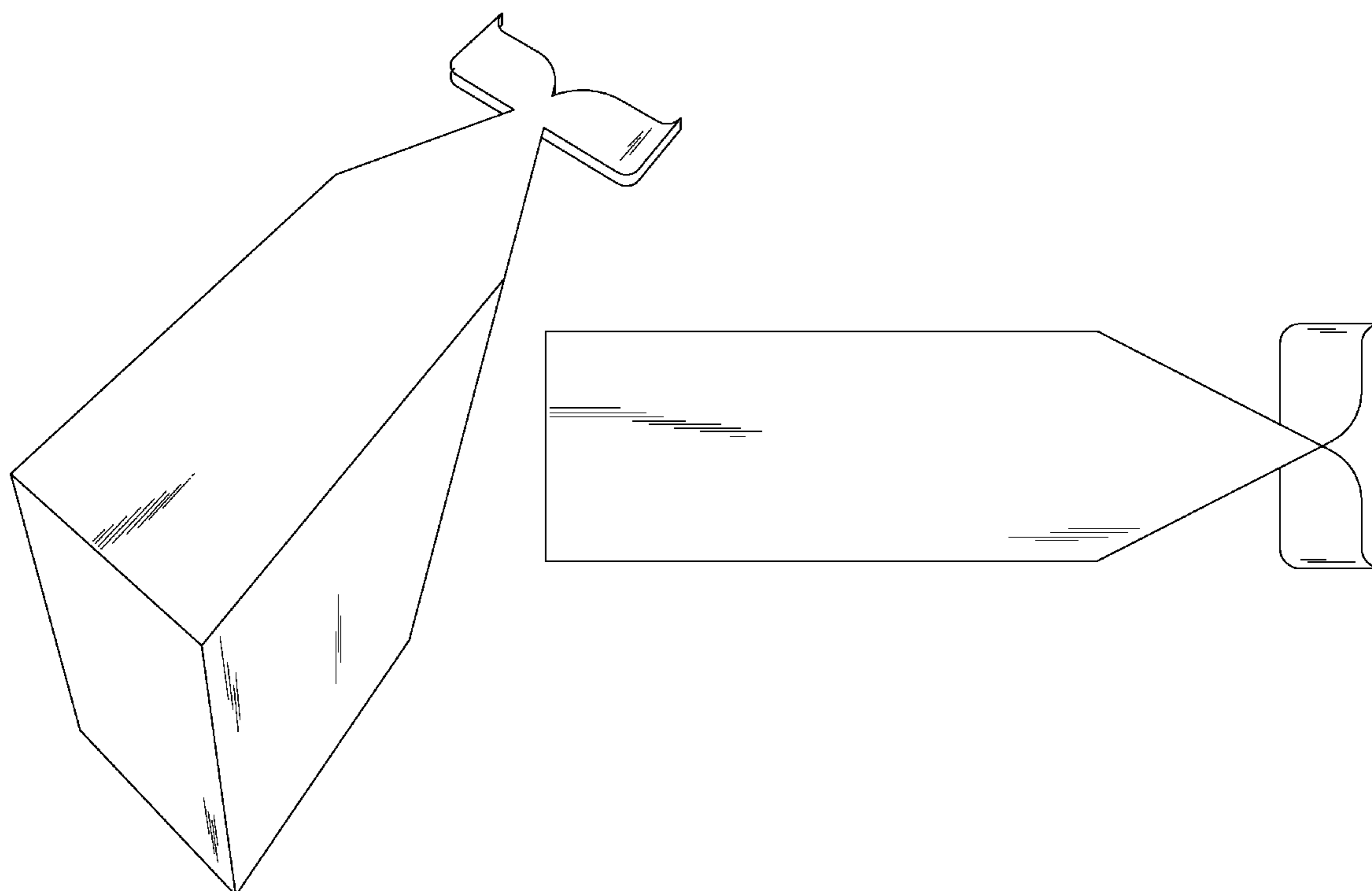
FIG. 5 is a top plan view of FIG. 2;

FIG. 6 is a bottom plan view of both embodiments thereof;

FIG. 7 is a front end elevational view of both embodiments thereof; and,

FIG. 8 is a rear end elevational view of both embodiments thereof.

1 Claim, 7 Drawing Sheets



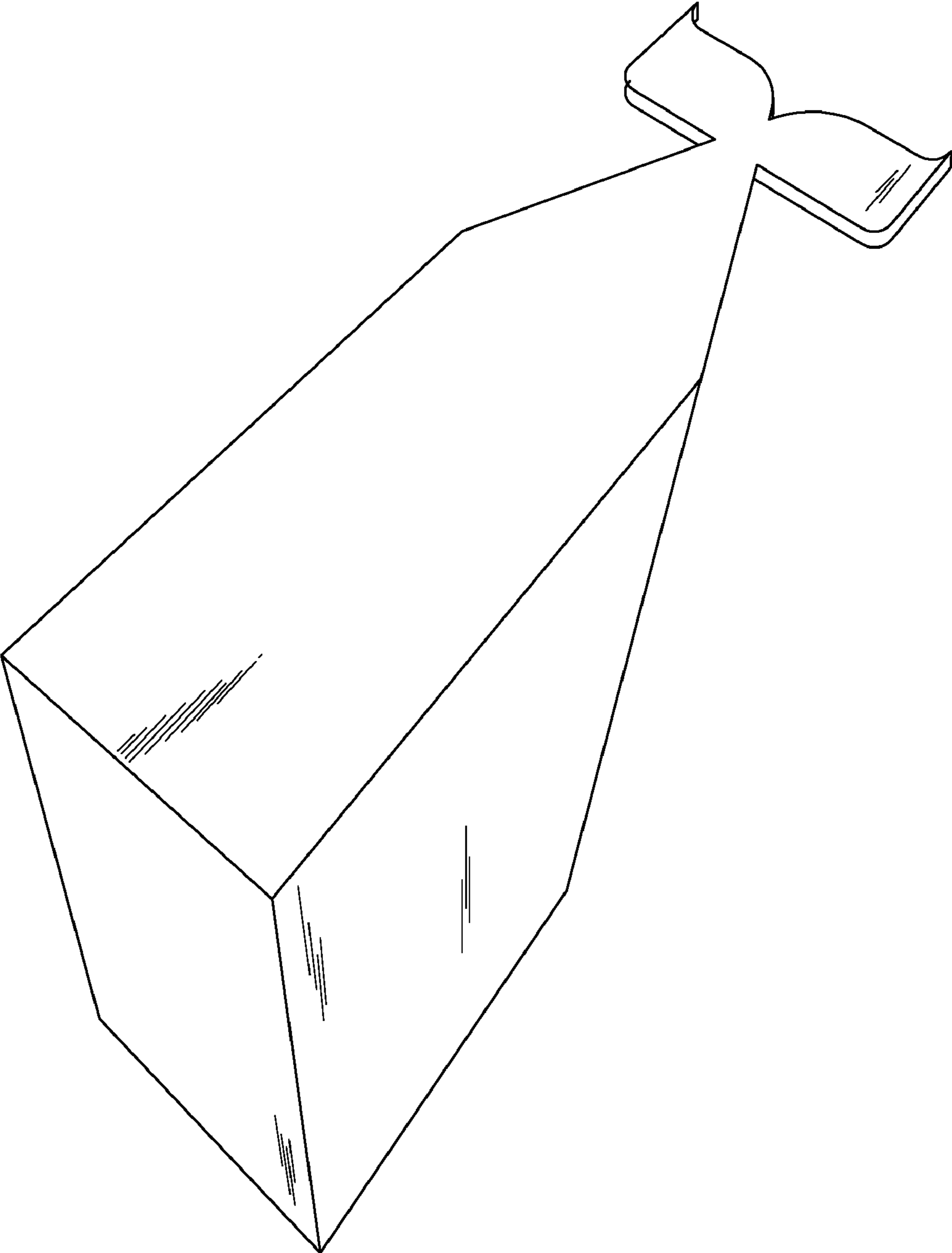


FIG. 1

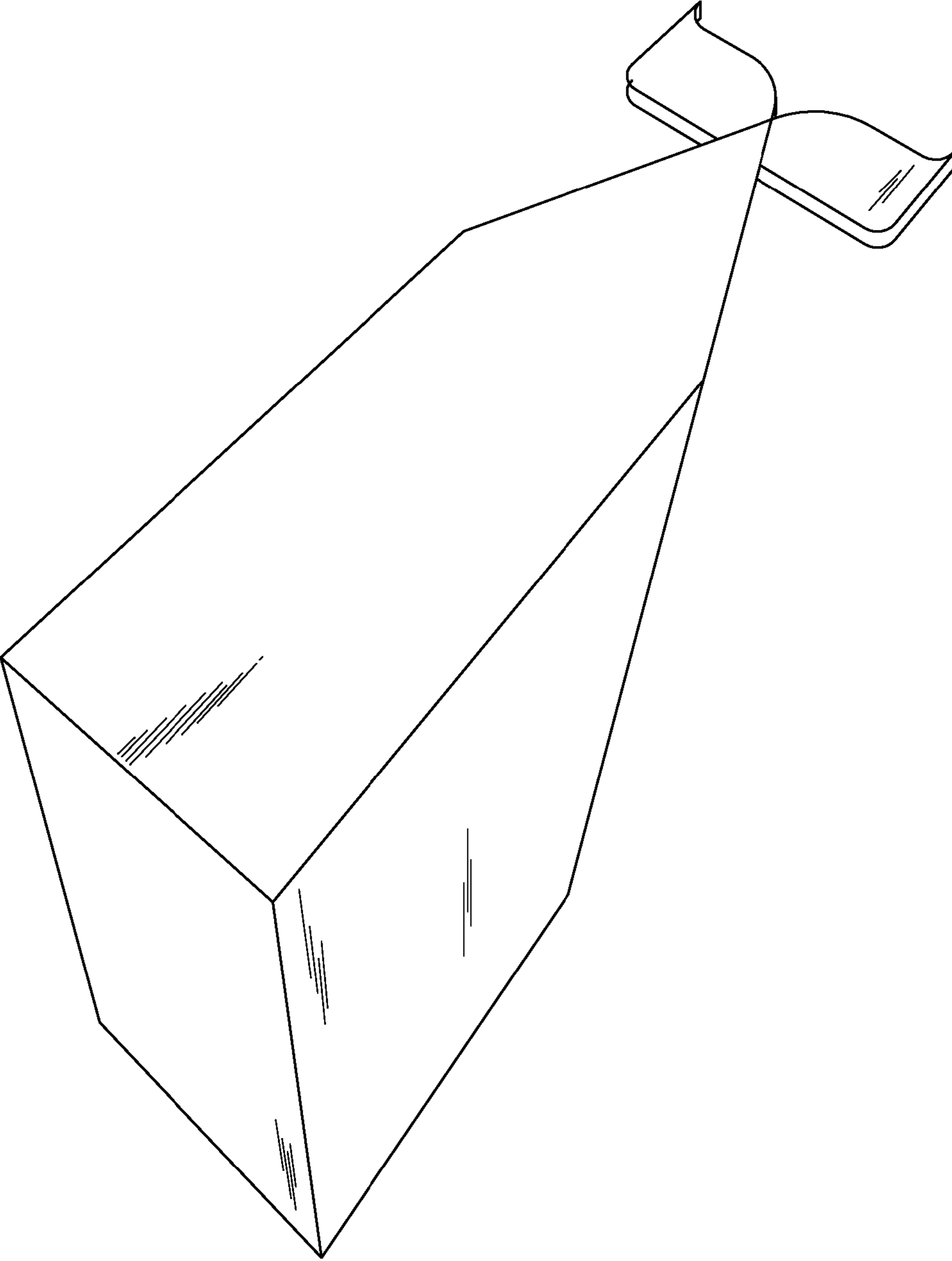


FIG. 2

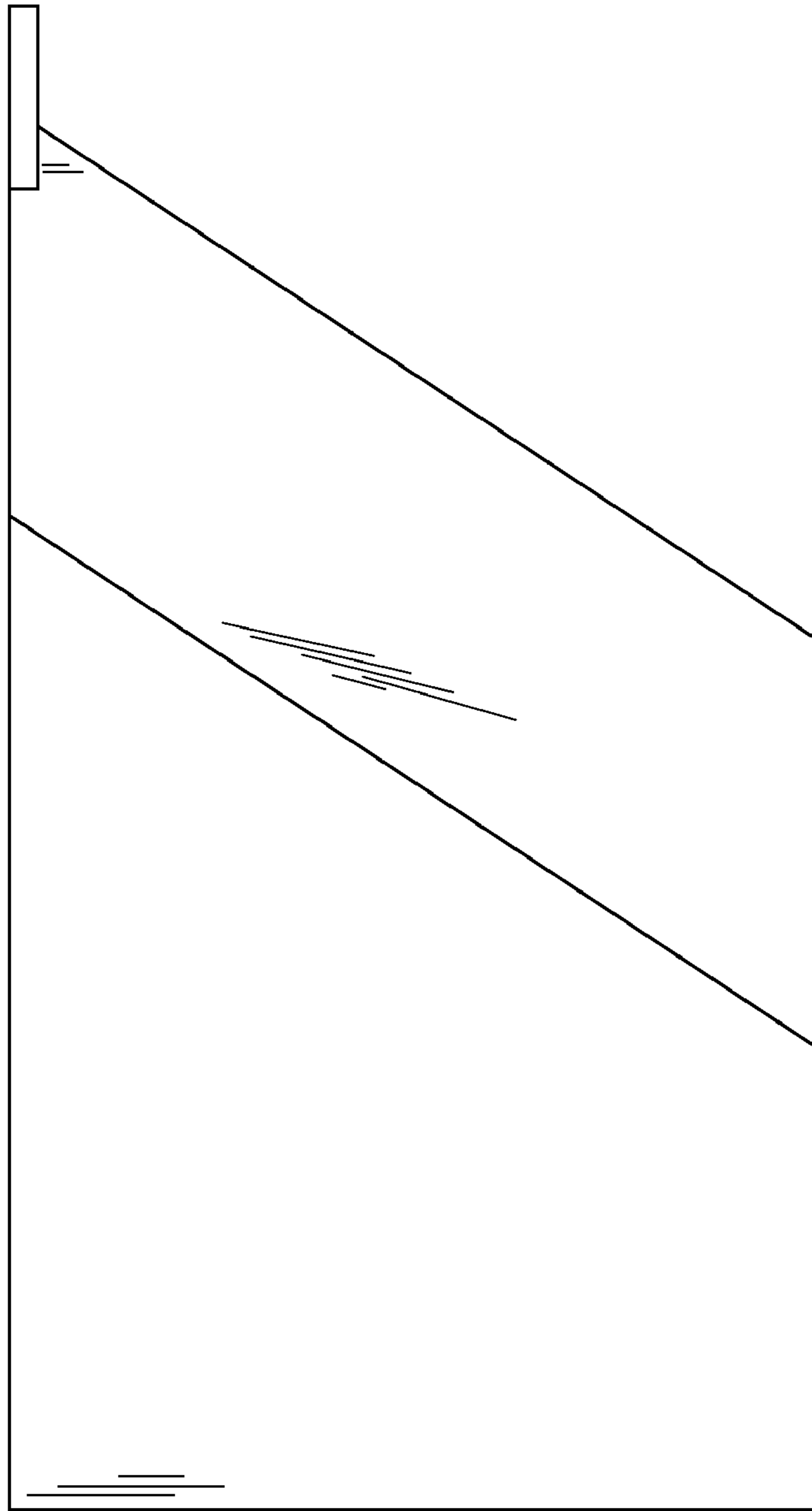


FIG. 3

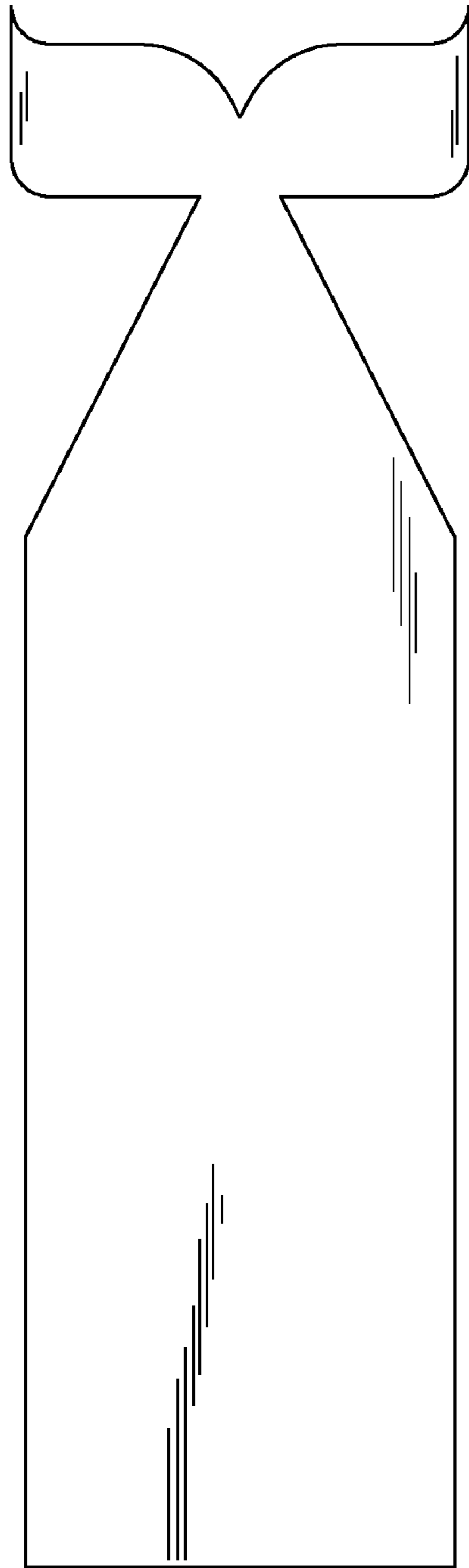


FIG. 4

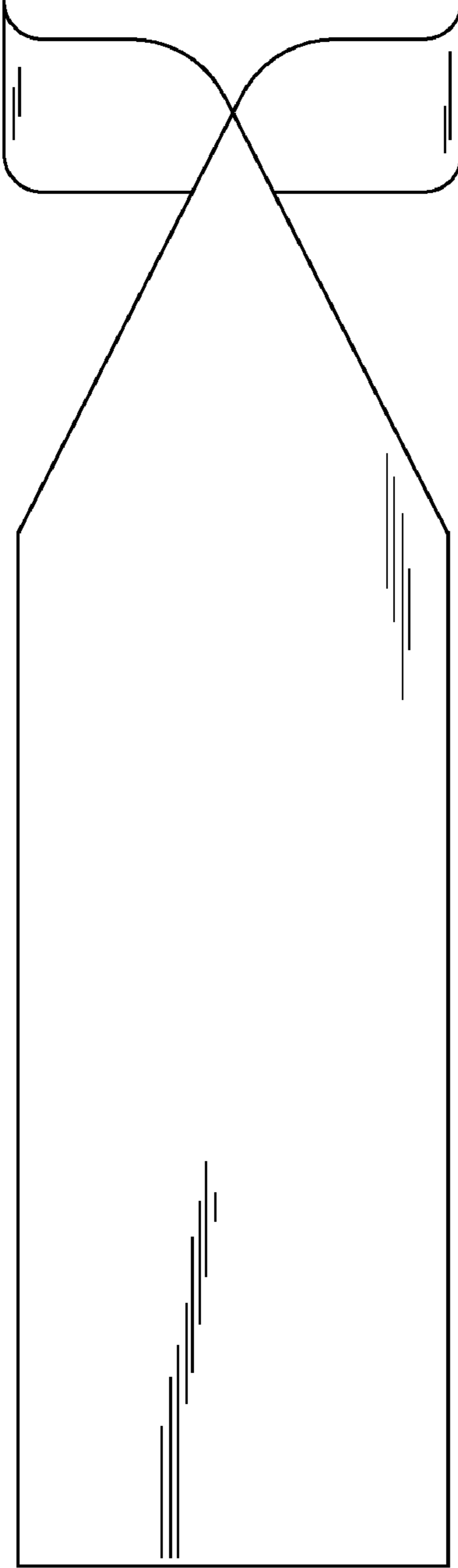


FIG. 5

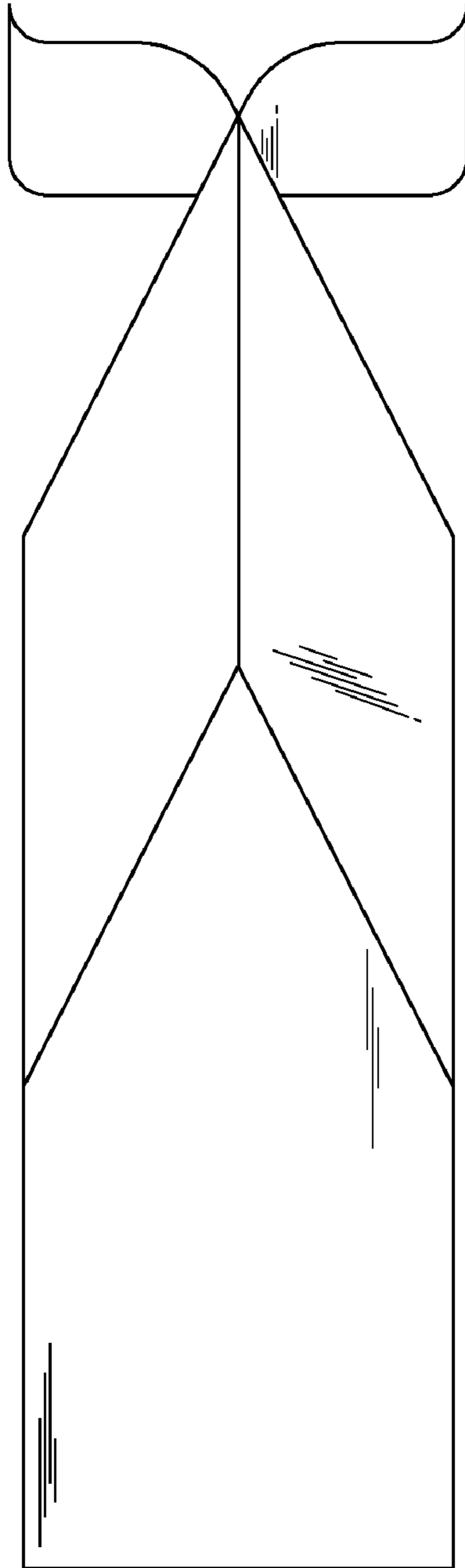


FIG. 6

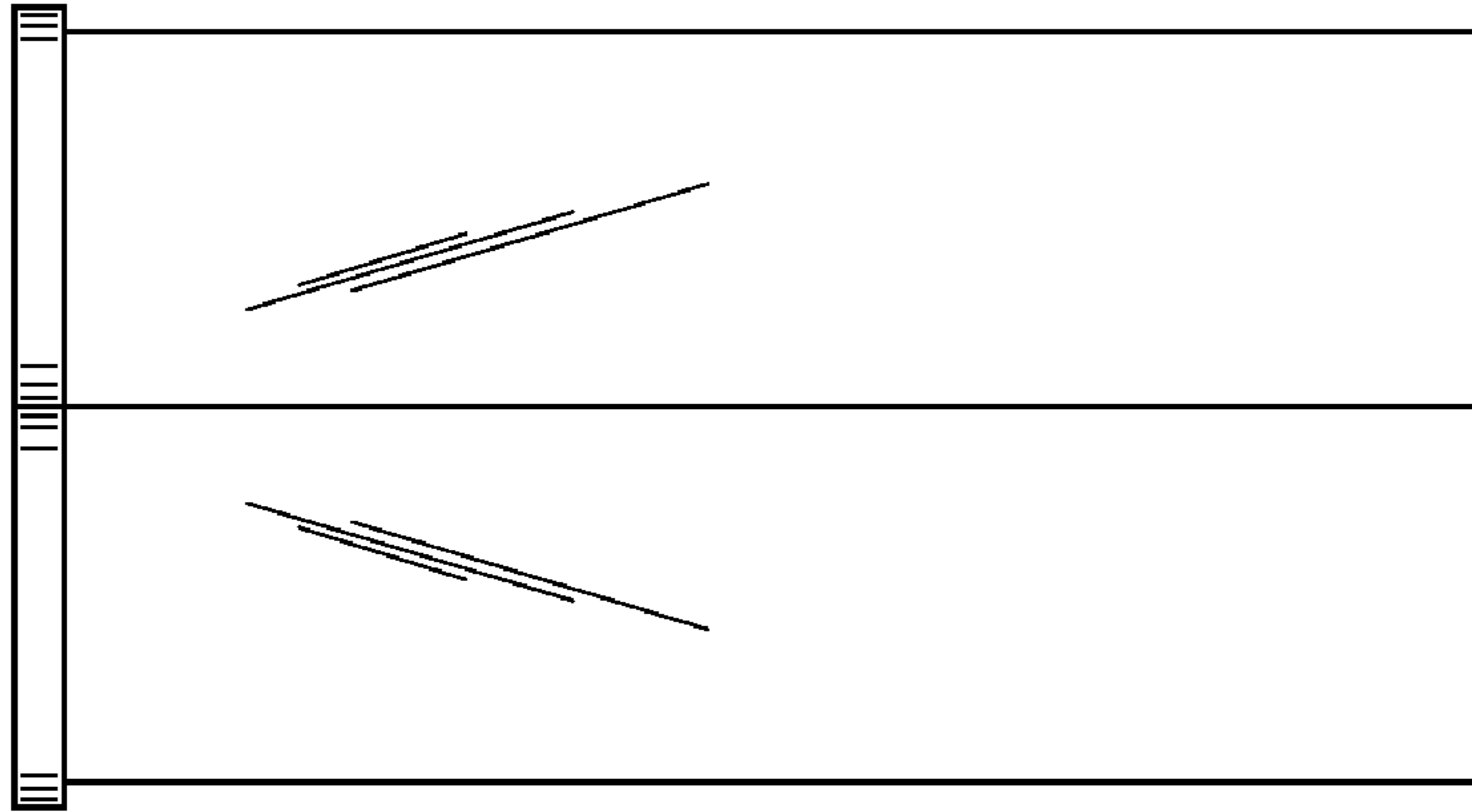


FIG. 8

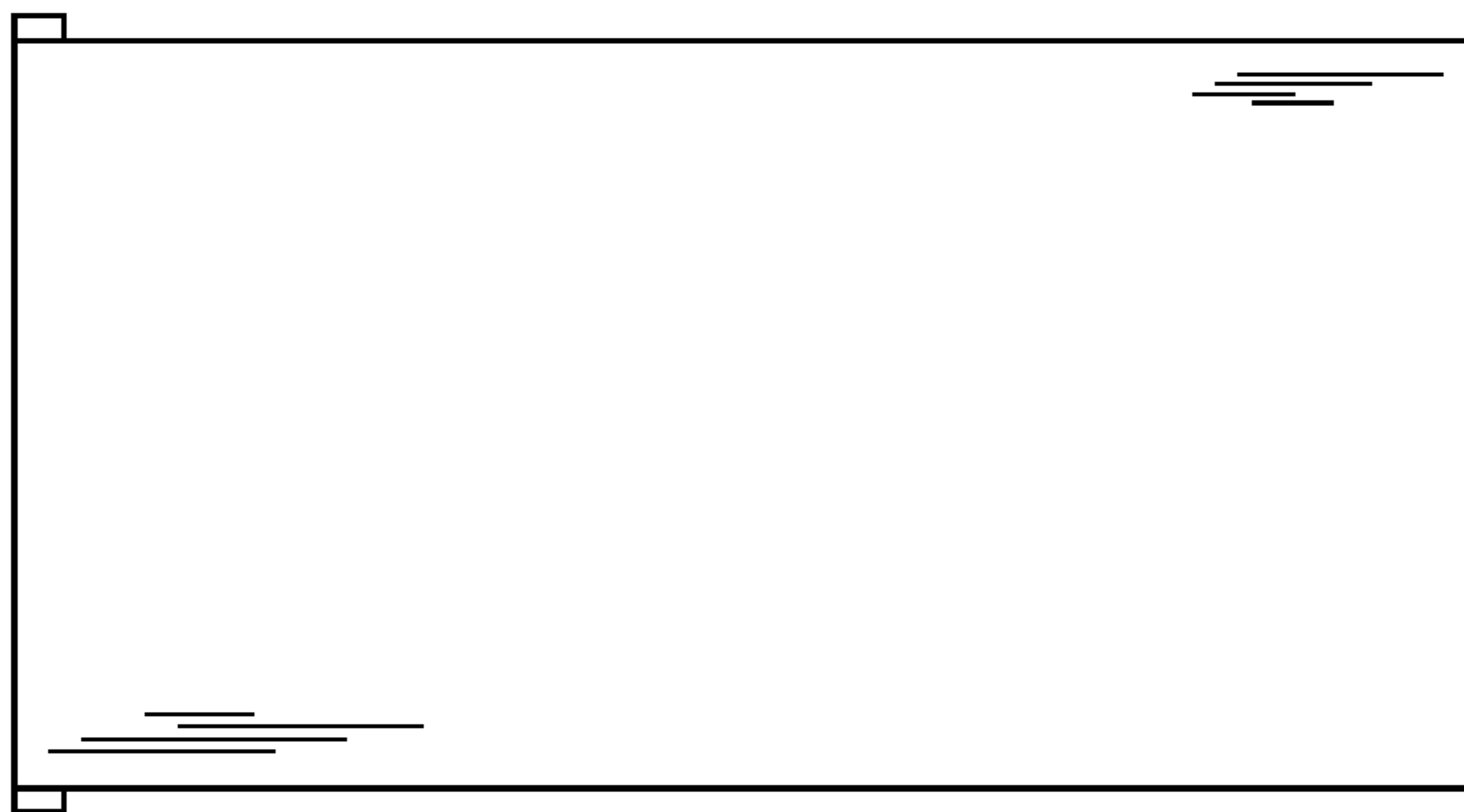


FIG. 7