



US00D561826S

(12) **United States Design Patent**  
**Lynen et al.**

(10) **Patent No.:** **US D561,826 S**

(45) **Date of Patent:** **\*\* Feb. 12, 2008**

(54) **SCRAPBOOK STORAGE BINDER**

(75) Inventors: **Stefanie Lynen**, Brooklyn, NY (US);  
**Susanna Y. Ko**, New York, NY (US);  
**Yael Eisele**, Brooklyn, NY (US); **Pei**  
**Yuan Hsieh**, New York, NY (US)

(73) Assignee: **Martha Stewart Living Omnimedia,**  
**Inc.**, New York, NY (US)

(\*\*) Term: **14 Years**

(21) Appl. No.: **29/280,814**

(22) Filed: **Jun. 7, 2007**

(51) **LOC (8) Cl.** ..... **19-04**

(52) **U.S. Cl.** ..... **D19/27; D19/26**

(58) **Field of Classification Search** ..... D19/32,  
D19/27, 26; D3/247, 276, 201, 249, 273,  
D3/294, 274, 243, 245; 281/29, 38, 27.3;  
402/3, 4, 31, 19

See application file for complete search history.

(56) **References Cited**

**U.S. PATENT DOCUMENTS**

3,565,462	A *	2/1971	Gottlieb	.....	281/3.1
D285,809	S *	9/1986	Sindler	.....	D19/27
4,965,948	A *	10/1990	Ruebens	.....	40/537
D317,462	S *	6/1991	Sawada et al.	.....	D19/27
D330,115	S *	10/1992	O'Brien	.....	D3/249
D363,737	S *	10/1995	Snow	.....	D19/27
D364,640	S *	11/1995	Zimbelman	.....	D19/27
D373,599	S *	9/1996	Bernard	.....	D19/26
D383,779	S *	9/1997	Yaukey	.....	D19/27
D383,896	S *	9/1997	Whang	.....	D3/254

5,887,900	A *	3/1999	Raymond	.....	281/22
D418,160	S *	12/1999	Gunasekera	.....	D19/27
D419,186	S *	1/2000	Moor	.....	D19/27
D429,497	S *	8/2000	Wyant	.....	D19/26
D473,589	S *	4/2003	Mandel	.....	D19/26
D496,396	S *	9/2004	Hyman	.....	D19/27
D502,502	S *	3/2005	Brann	.....	D19/26
6,926,307	B2 *	8/2005	Mathews-Lingen	.....	281/22
7,063,477	B2 *	6/2006	Busam et al.	.....	402/73
D544,539	S *	6/2007	Singh	.....	D19/27
2003/0011189	A1 *	1/2003	Swoboda	.....	281/22
2006/0237961	A1 *	10/2006	Partain	.....	281/22

\* cited by examiner

*Primary Examiner*—Cathron C. Brooks

*Assistant Examiner*—Austin Murphy

(74) *Attorney, Agent, or Firm*—Seth D. Levy; Davis Wright  
Tremaine LLP

(57) **CLAIM**

The ornamental design for a scrapbook storage binder, as shown.

**DESCRIPTION**

FIG. 1 is a perspective view of a scrapbook storage binder of the present invention;

FIG. 2 is a top plan view thereof;

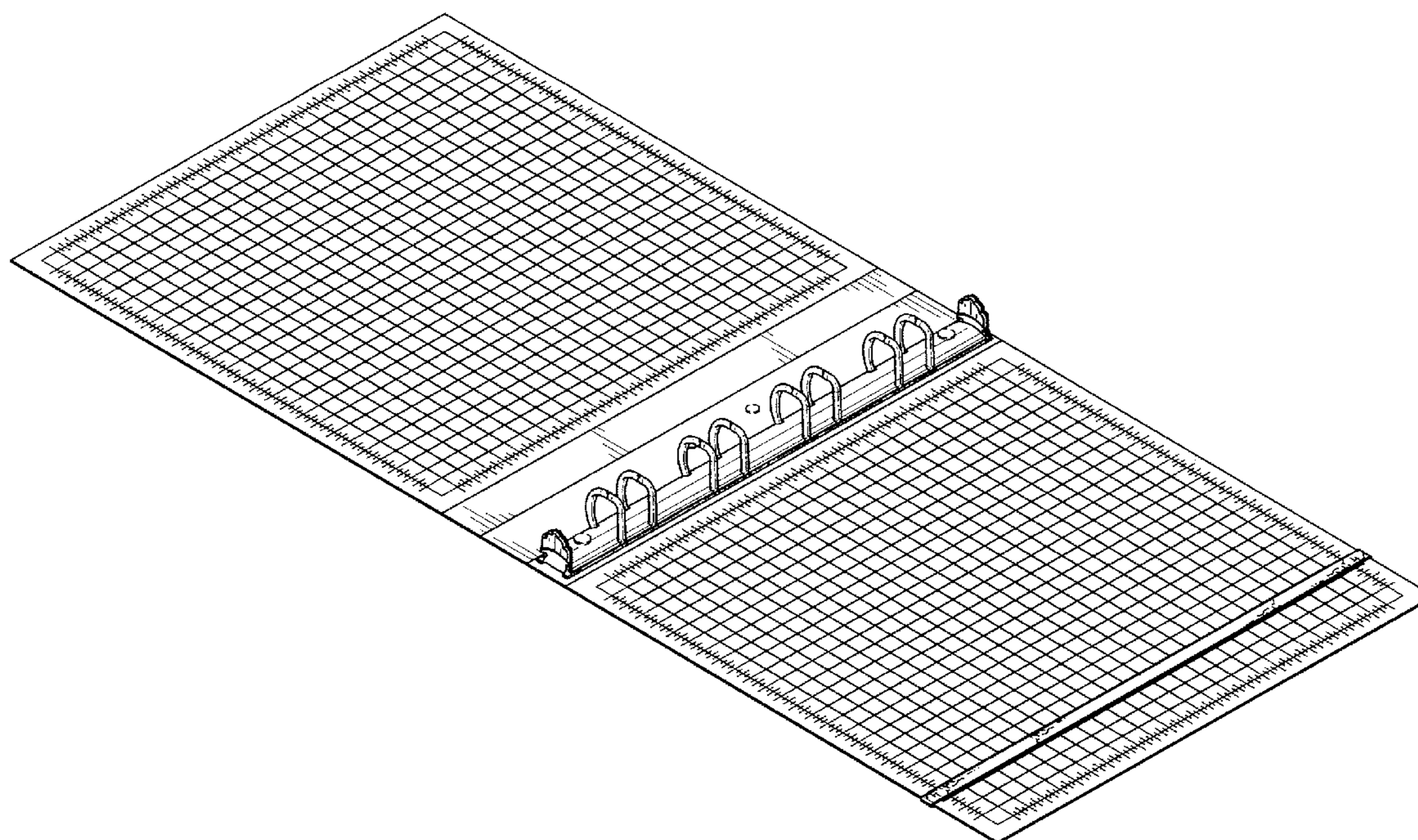
FIG. 3 is a bottom view, the bottom view being the outside of the scrapbook storage binder in the open position;

FIG. 4 is a front elevational view thereof;

FIG. 5 is a left side elevational view thereof; and,

FIG. 6 is a right side elevational view thereof.

**1 Claim, 4 Drawing Sheets**





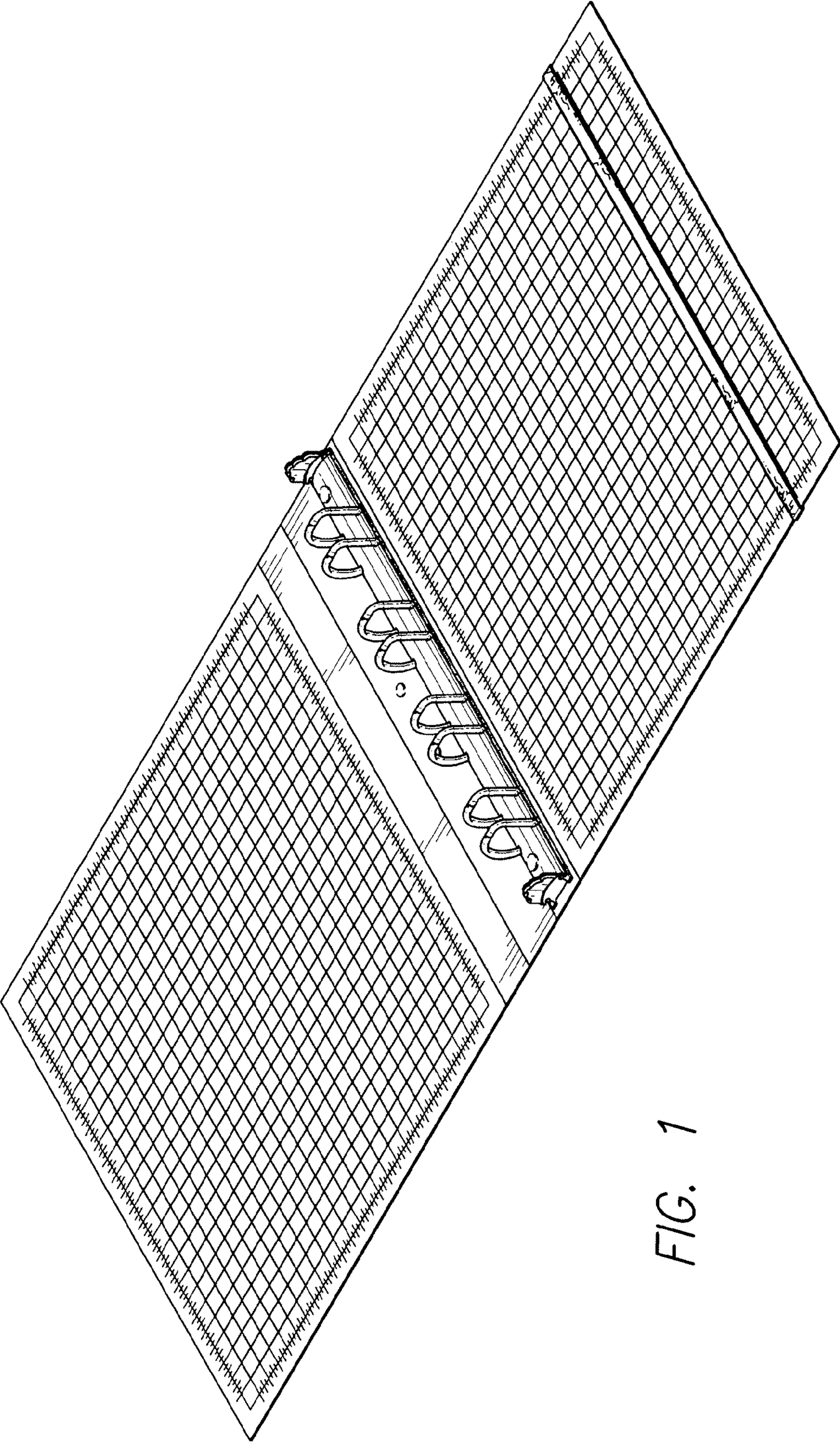


FIG. 1

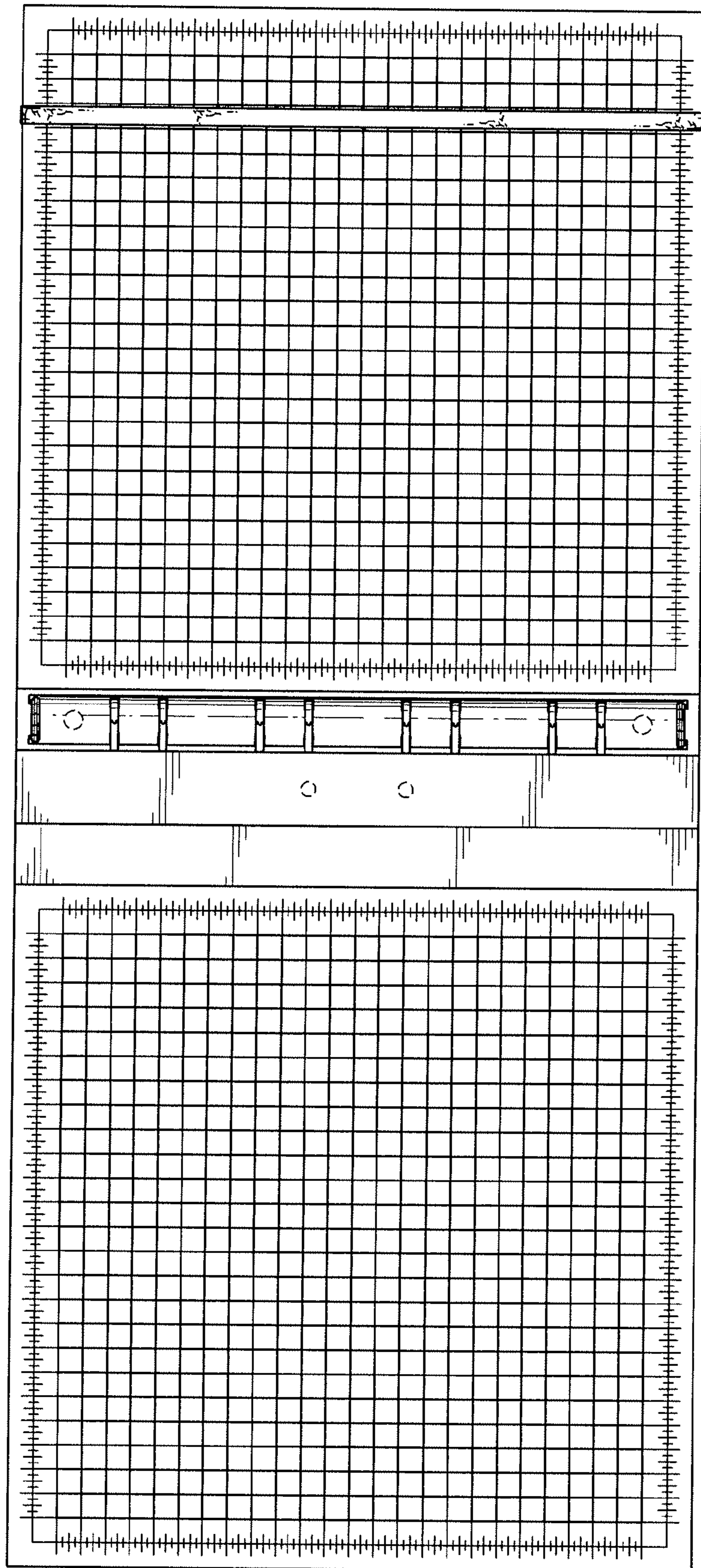


FIG. 2



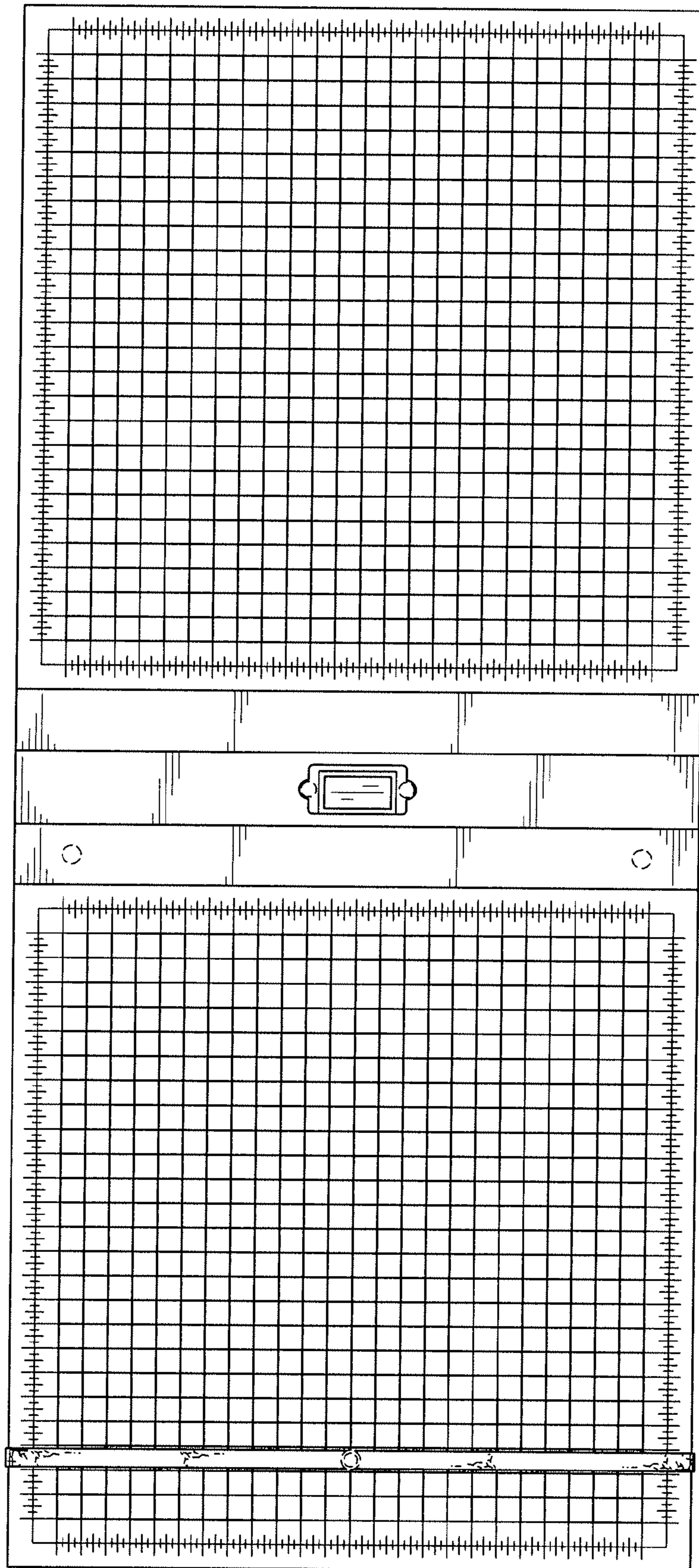


FIG. 3

FIG. 4



FIG. 5

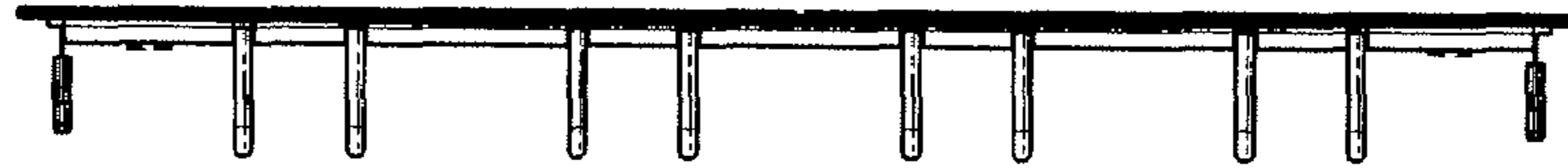


FIG. 6