



US00D561823S

(12) **United States Design Patent**
Morillo et al.

(10) **Patent No.:** **US D561,823 S**

(45) **Date of Patent:** **** Feb. 12, 2008**

(54) **PRINTER**

(75) Inventors: **Jordi Morillo**, Barcelona (ES); **Oriol Moliner**, Sant Cugat del Valles (ES); **Marina Talavera**, Barcelona (ES)

(73) Assignee: **Hewlett-Packard Development Co., L.P.**

(**) Term: **14 Years**

(21) Appl. No.: **29/263,285**

(22) Filed: **Jul. 19, 2006**

(51) **LOC (8) Cl.** **18-02**

(52) **U.S. Cl.** **D18/53**

(58) **Field of Classification Search** D18/50,
D18/52, 53, 54, 56, 14, 18, 19; D14/399;
D13/164, 168; 400/613, 613.1-613.4, 691-694;
101/93.4, 269; 355/78

See application file for complete search history.

(56) **References Cited**

U.S. PATENT DOCUMENTS

D332,623 S * 1/1993 Iwanaga D18/53
5,775,825 A * 7/1998 Hong et al. 400/693
D400,917 S * 11/1998 Kajikawa et al. D18/53
D407,740 S * 4/1999 Ina et al. D18/53

D445,824 S * 7/2001 Yamano et al. D18/53
D450,755 S * 11/2001 Gimenez et al. D18/53
D458,963 S * 6/2002 Caamano et al. D18/53
D464,080 S * 10/2002 Yamano et al. D18/53
D475,083 S * 5/2003 Kusanagi D18/50
D529,545 S * 10/2006 Kimura et al. D18/53

* cited by examiner

Primary Examiner—Charles A. Rademaker

(74) *Attorney, Agent, or Firm*—Peter I. Lippman

(57) **CLAIM**

The ornamental design for a printer, as shown and described.

DESCRIPTION

FIG. 1 is a top and left side perspective view of a printer showing our new design;

FIG. 2 is a top plan view thereof;

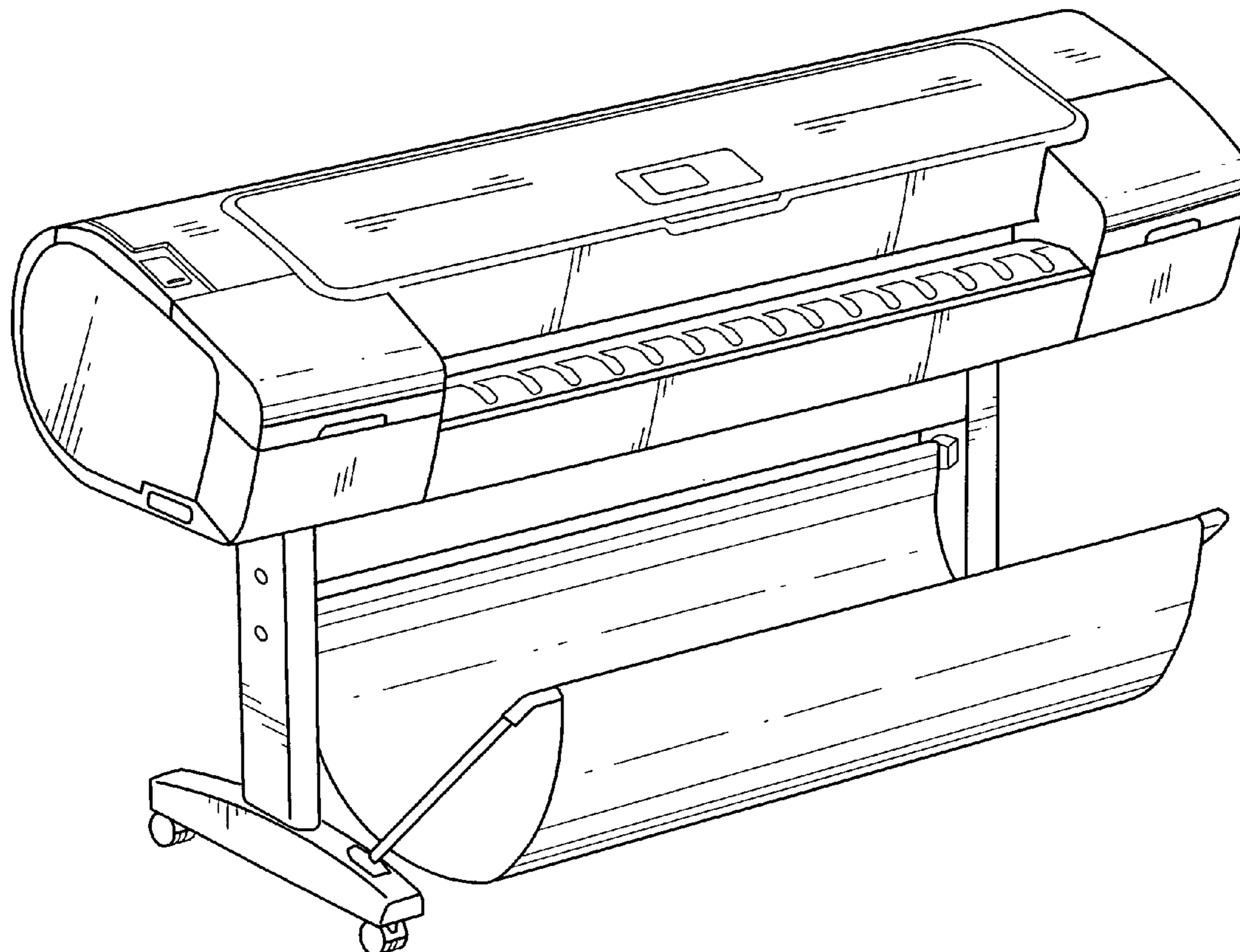
FIG. 3 is a front elevation thereof;

FIG. 4 is a rear elevation thereof; and,

FIG. 5 is a left side elevation thereof, the side opposite being a mirror image.

The broken lines showing of portions of the design are included for the purpose of illustrating environmental structures and form no part of the claimed design.

1 Claim, 5 Drawing Sheets



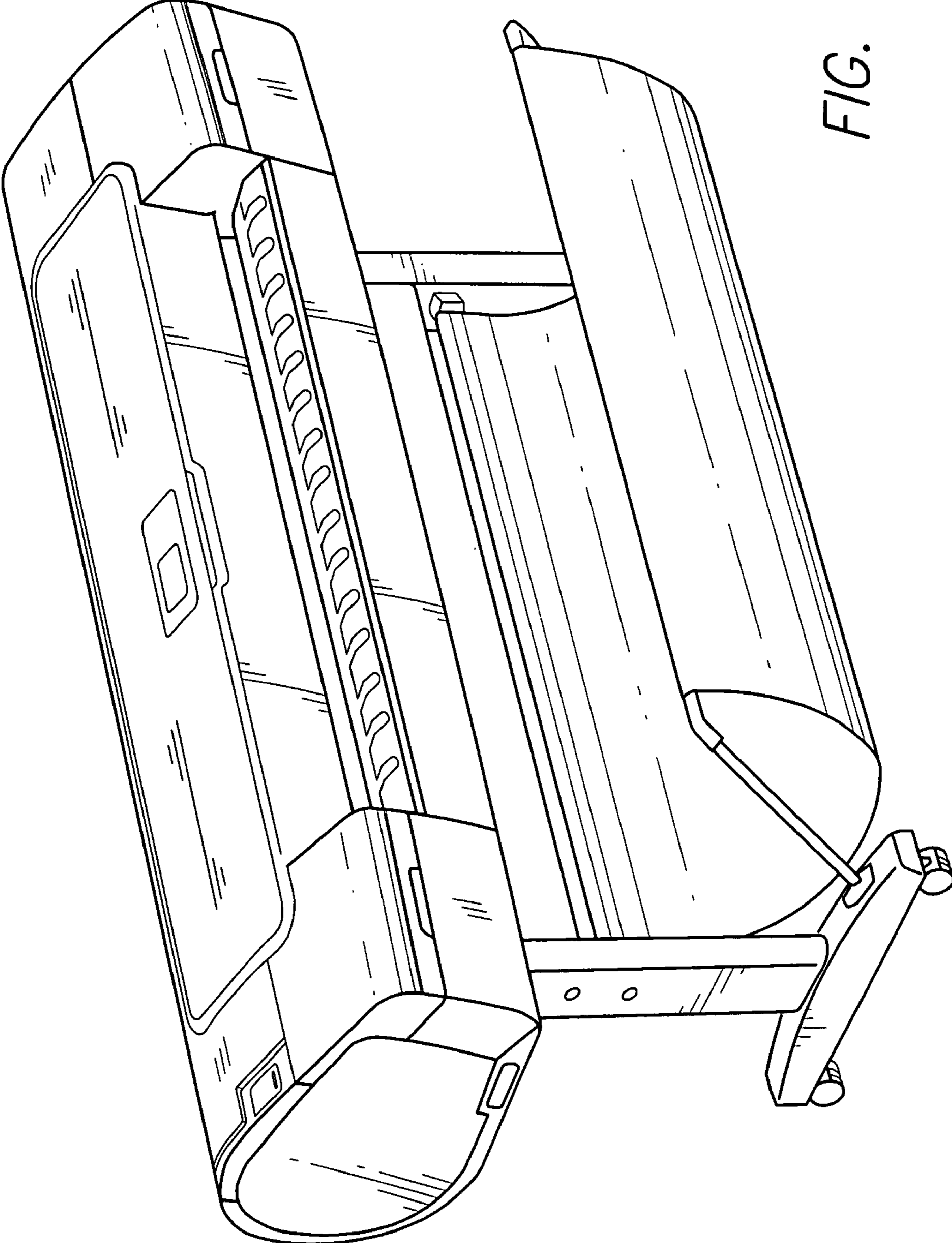


FIG. 1

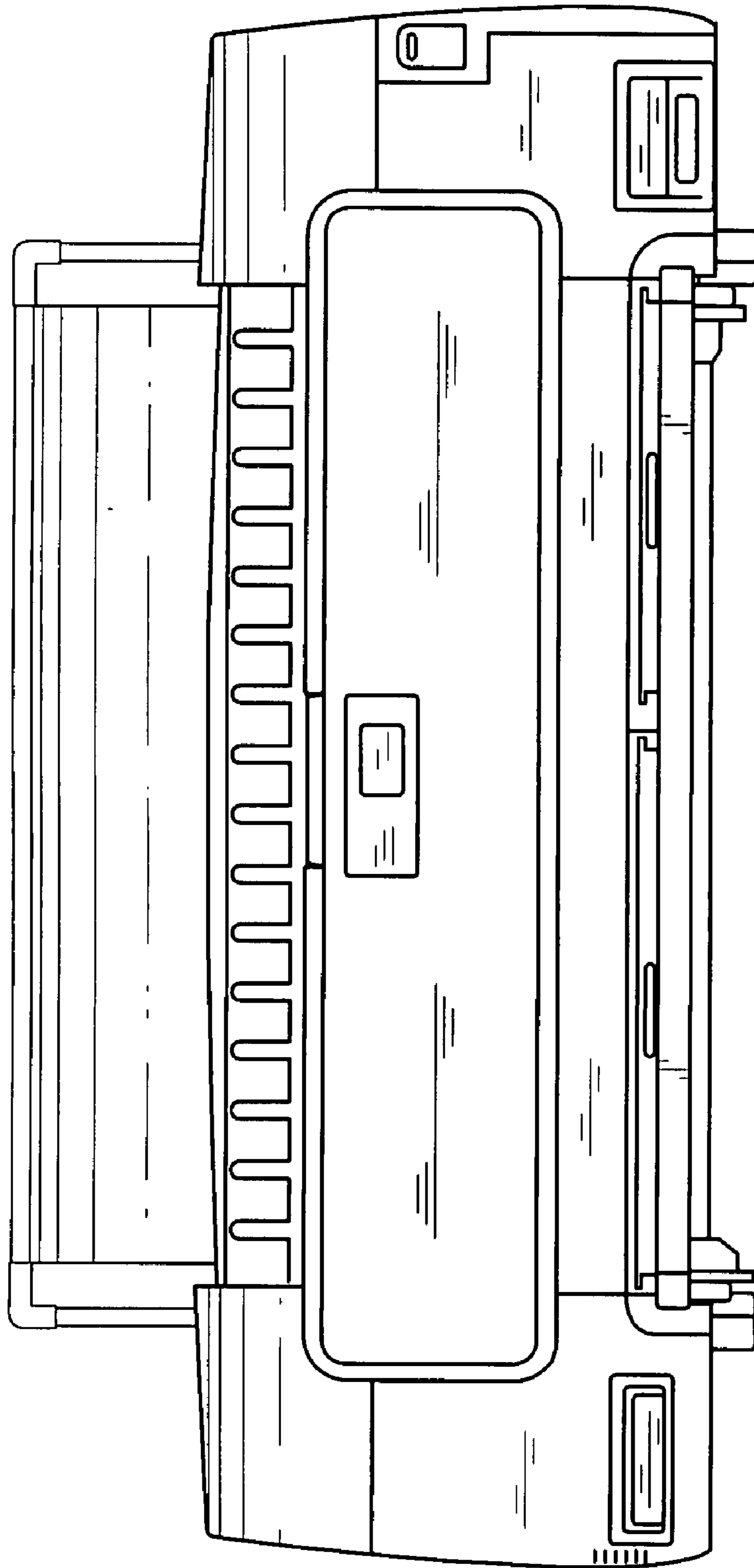


FIG. 2

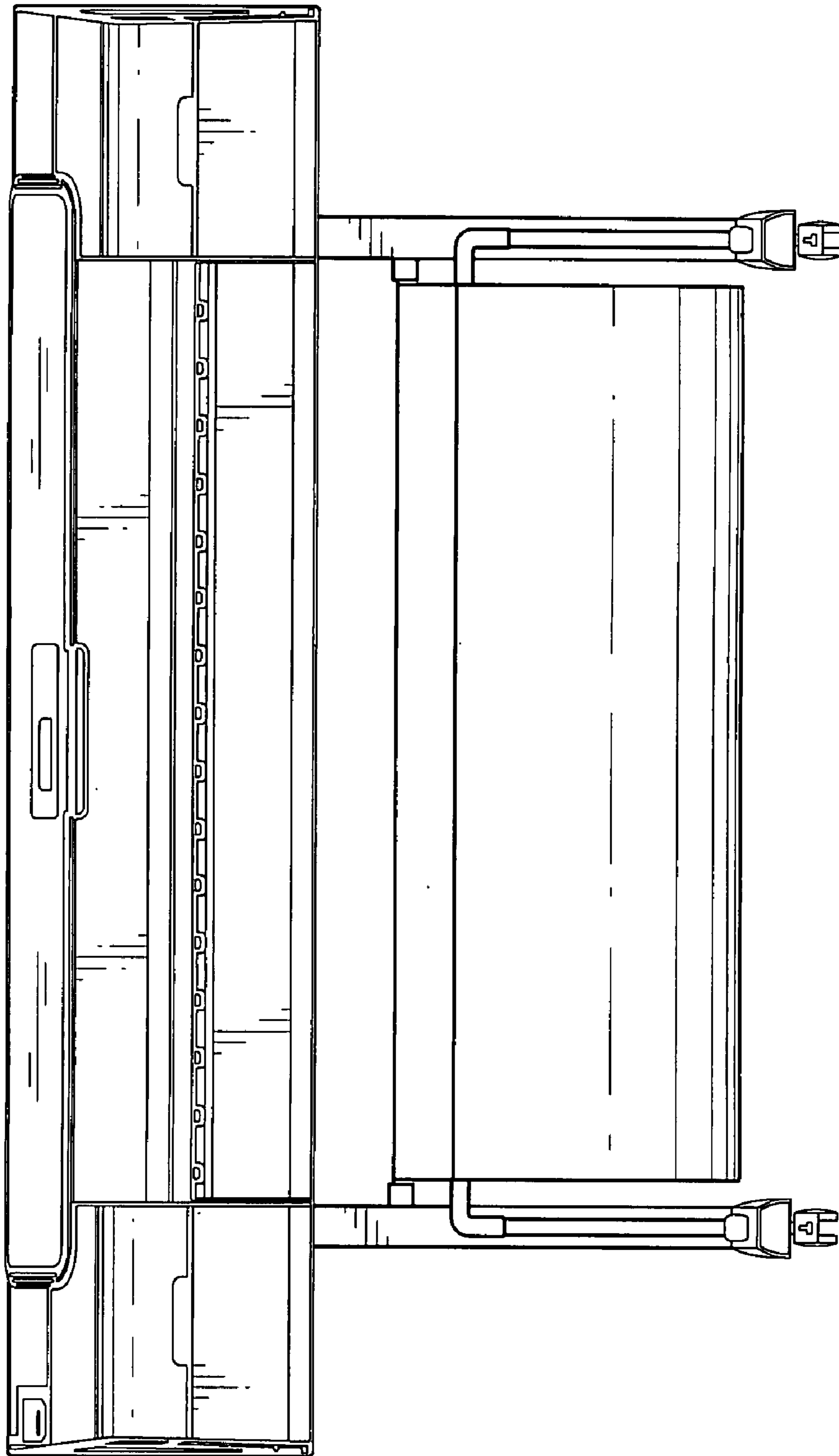


FIG. 3

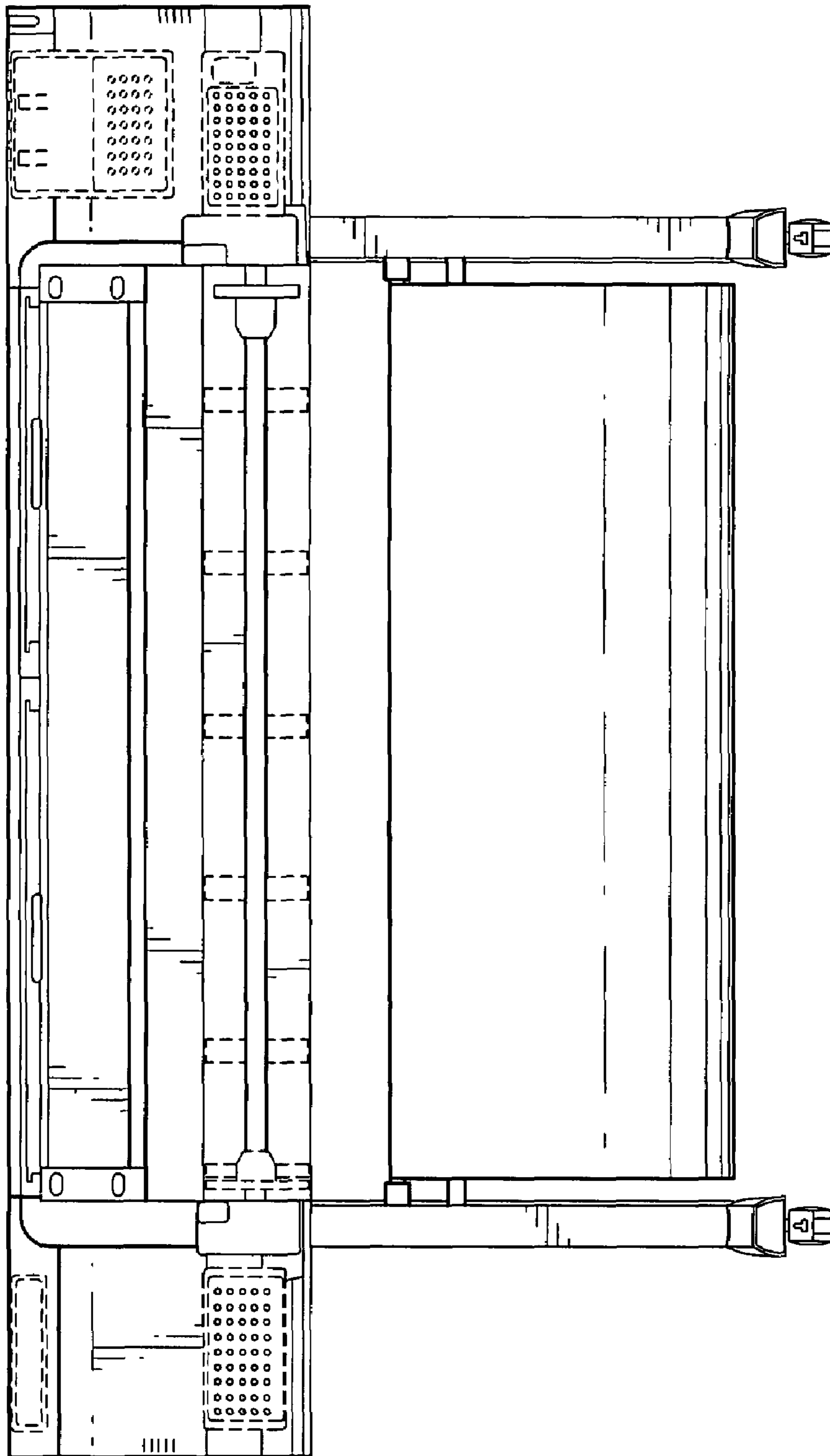


FIG. 4

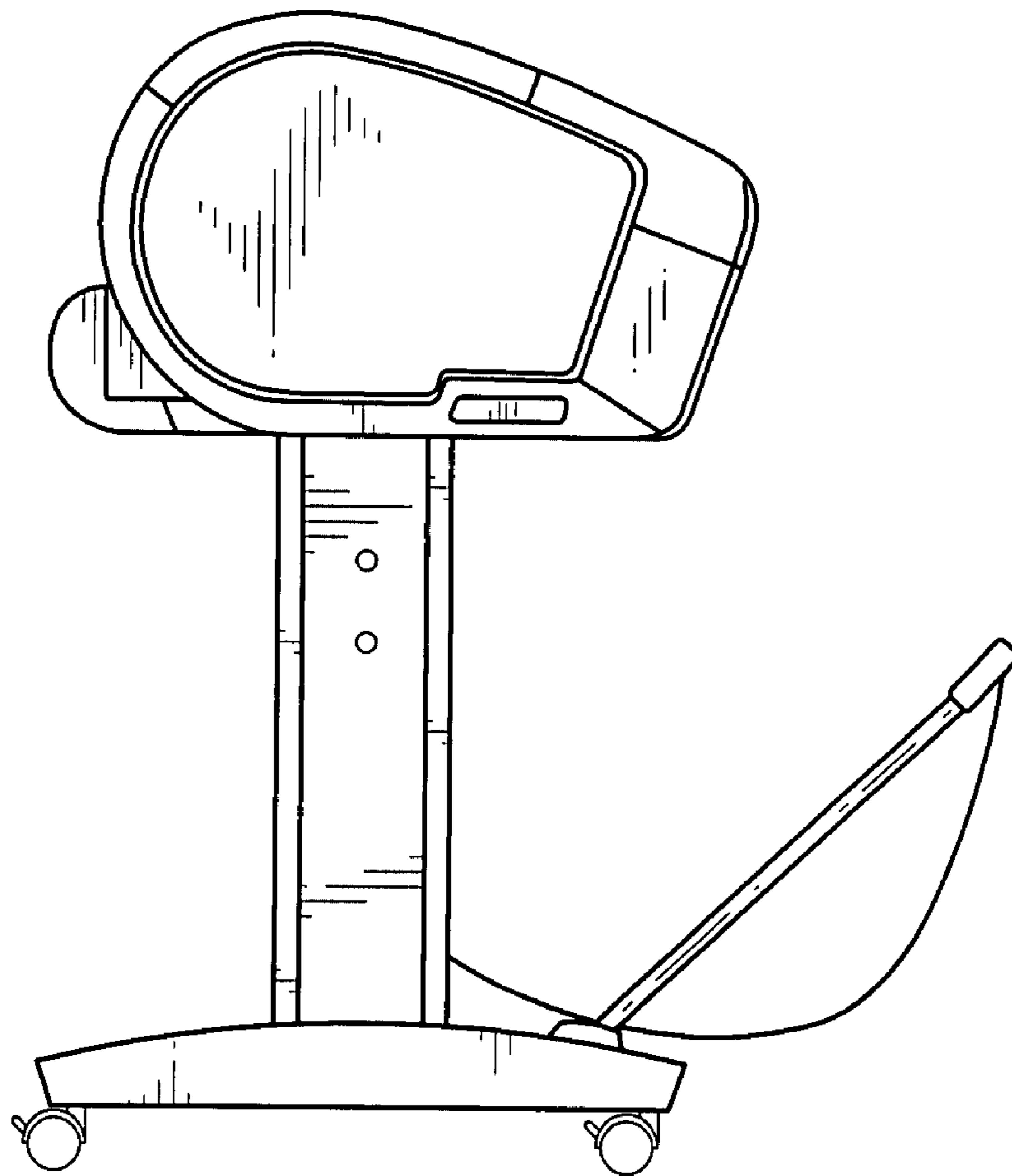


FIG. 5