



US00D561808S

(12) **United States Design Patent**  
**Arnold et al.**

(10) **Patent No.:** **US D561,808 S**  
(45) **Date of Patent:** **\*\* Feb. 12, 2008**

(54) **WEATHER SHIELD FOR SURVEILLANCE  
CAMERA HOUSING**

2002/0145677 A1\* 10/2002 Ryan et al. .... 348/373  
2005/0007488 A1\* 1/2005 Arbuckle et al. .... 348/375

(75) Inventors: **Kathleen E. Arnold**, York, PA (US);  
**Michael D. Bolotine**, Denver, PA (US)

\* cited by examiner

(73) Assignee: **Bosch Security Systems, Inc.**, Fairport,  
NY (US)

*Primary Examiner*—Jeffrey Asch

*Assistant Examiner*—Wan Laymon

(74) *Attorney, Agent, or Firm*—Victor A. Henzi

(\*\*) Term: **14 Years**

(57) **CLAIM**

(21) Appl. No.: **29/269,536**

The ornamental design for a weather shield for surveillance camera housing, as shown and described.

(22) Filed: **Nov. 30, 2006**

**DESCRIPTION**

(51) **LOC (8) Cl.** ..... **16-05**

FIG. 1 is a front right perspective view of the weather shield for surveillance camera housing configured to include an exemplary surveillance camera housing which is illustrated in dashed lines and forms no part of the claimed design;

(52) **U.S. Cl.** ..... **D16/219; D16/203**

FIG. 2 is a front right perspective view of the weather shield for surveillance camera housing;

(58) **Field of Classification Search** ..... D16/200–206,  
D16/208–209, 218–219, 214, 245; D11/143–154;  
47/65.5, 41.01; 348/143, 151, 373–376;  
396/427, 535–541

FIG. 3 is a left elevational view thereof;

See application file for complete search history.

FIG. 4 is a right elevational view thereof;

(56) **References Cited**

FIG. 5 is a rear elevational view thereof;

**U.S. PATENT DOCUMENTS**

FIG. 6 is a front elevational view thereof;

D246,749 S \* 12/1977 Harshman et al. .... D11/152

FIG. 7 is a top plan view thereof; and,

D248,305 S \* 6/1978 Scott ..... D16/203

FIG. 8 is a bottom plan view thereof.

D318,887 S \* 8/1991 Laib et al. .... D11/152

The broken lines showing various mounting portions of a weather shield for surveillance camera housing are for illustrative purposes only and form no part of the claimed design.

D408,322 S \* 4/1999 Yurk ..... D11/152

6,061,087 A \* 5/2000 Schieltz et al. .... 348/151

D457,904 S \* 5/2002 Toste et al. .... D16/203

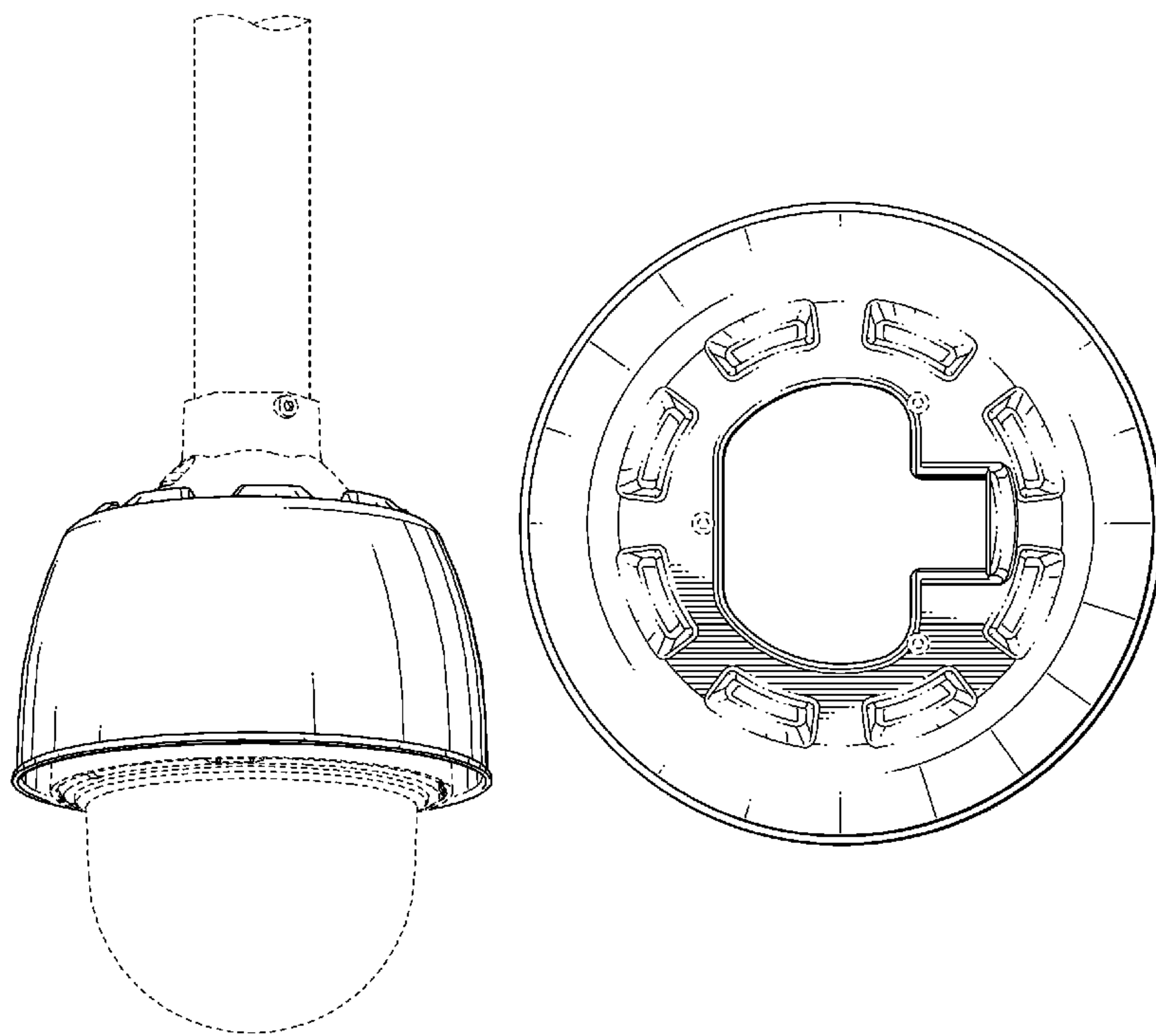
D461,485 S \* 8/2002 Jones et al. .... D16/203

D473,887 S \* 4/2003 Jones et al. .... D16/203

6,715,940 B2 \* 4/2004 Top et al. .... 396/427

D503,183 S \* 3/2005 Arbuckle et al. .... D16/203

**1 Claim, 6 Drawing Sheets**



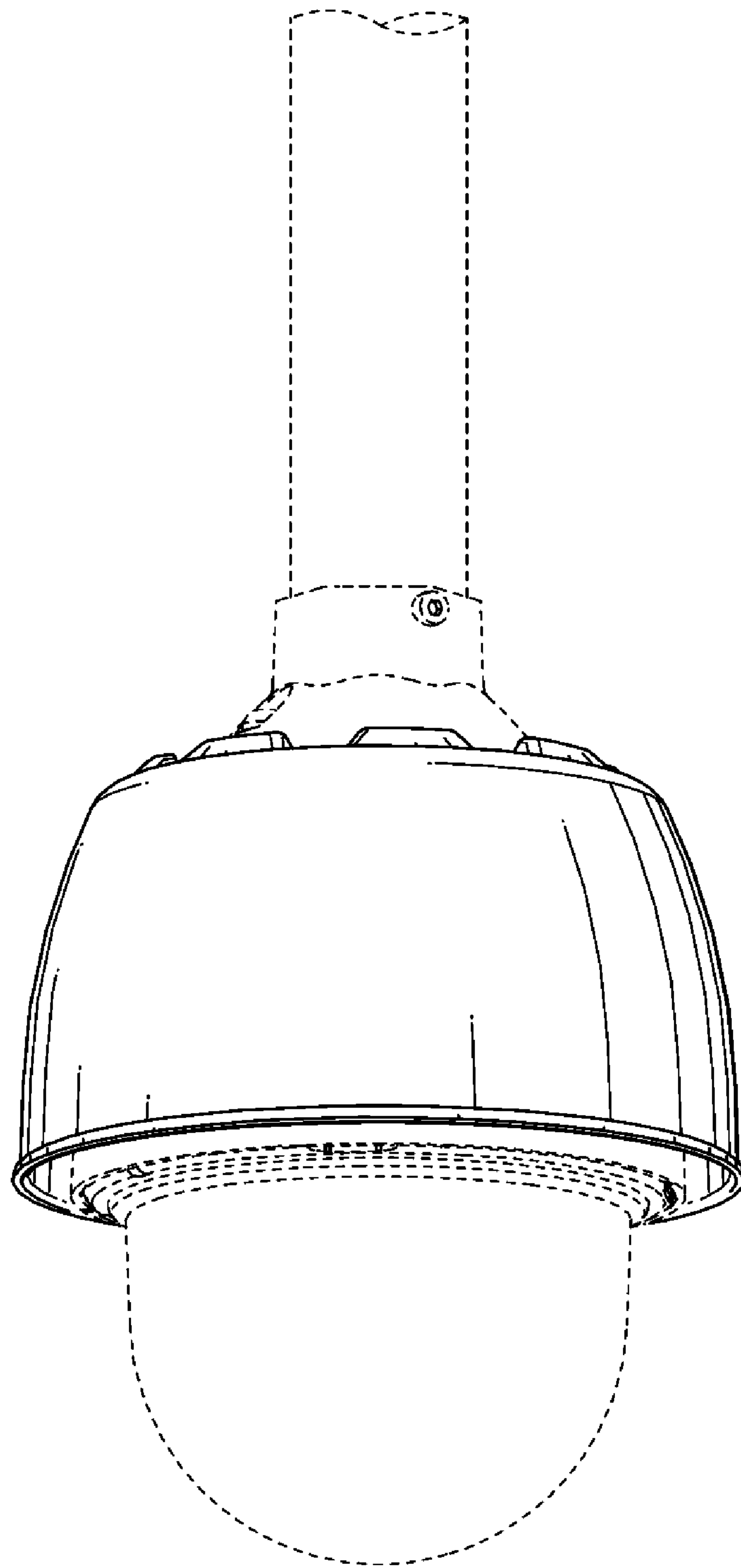


FIG. 1

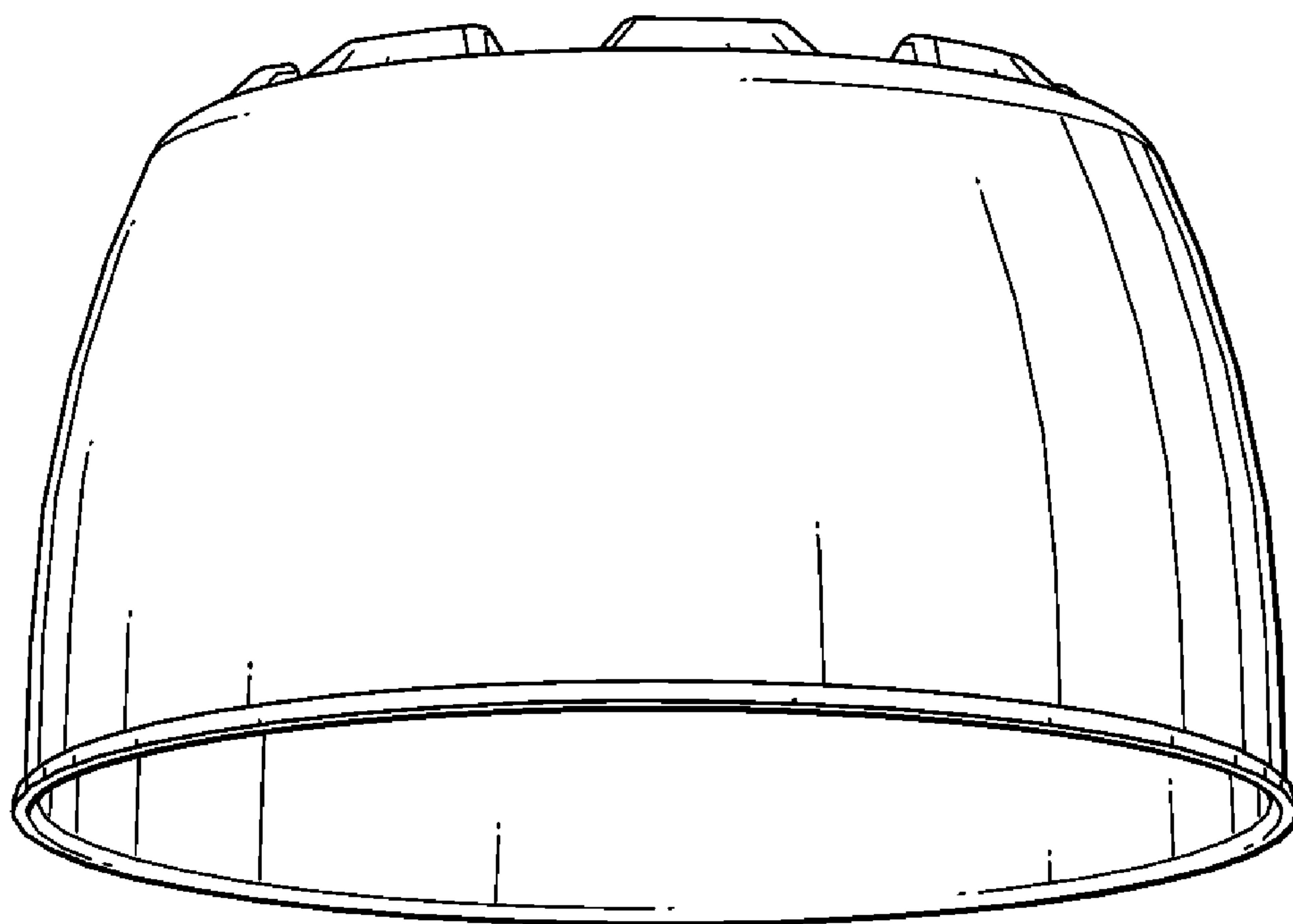


FIG. 2

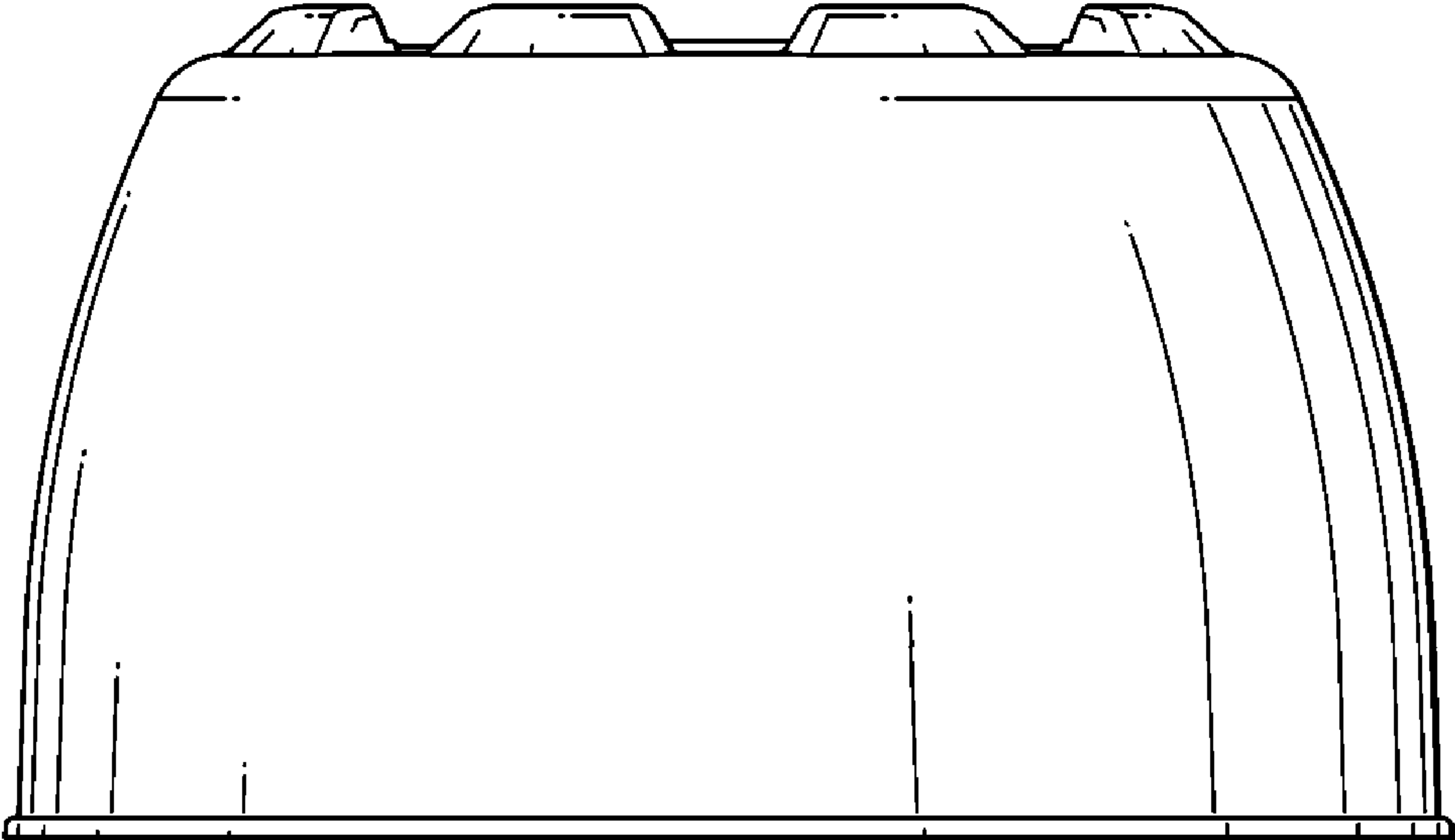


FIG. 3

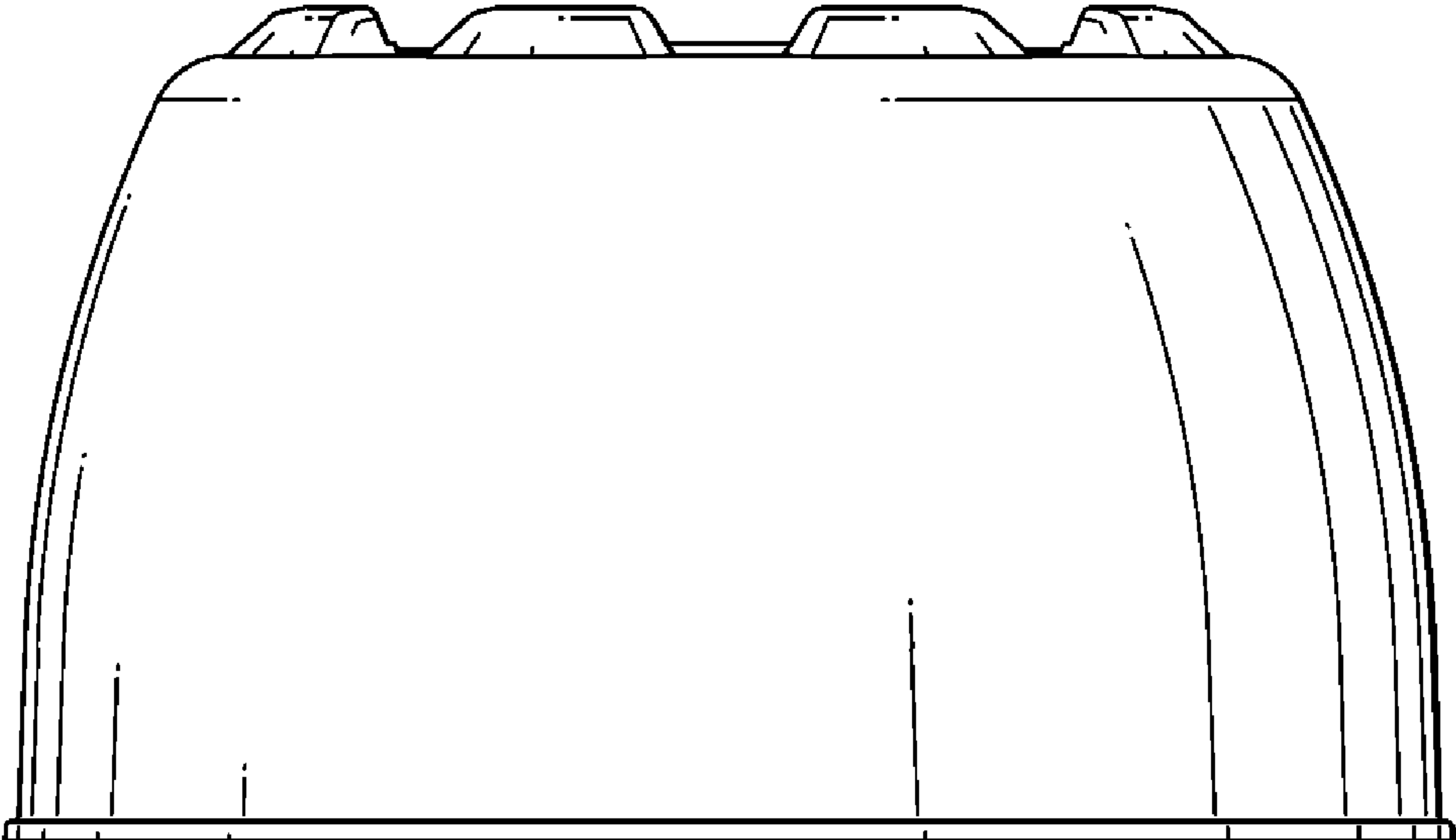


FIG. 4

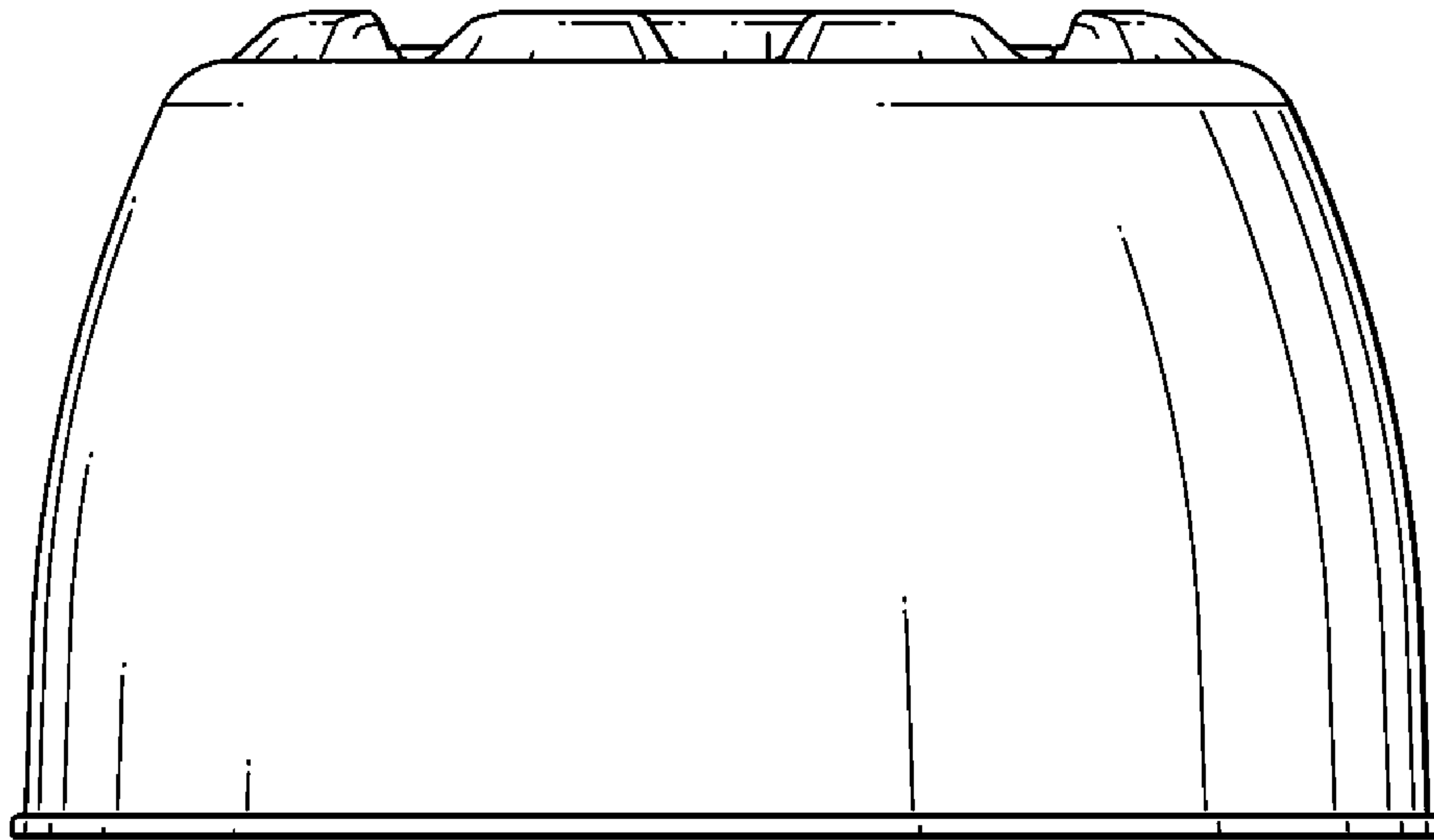


FIG. 5

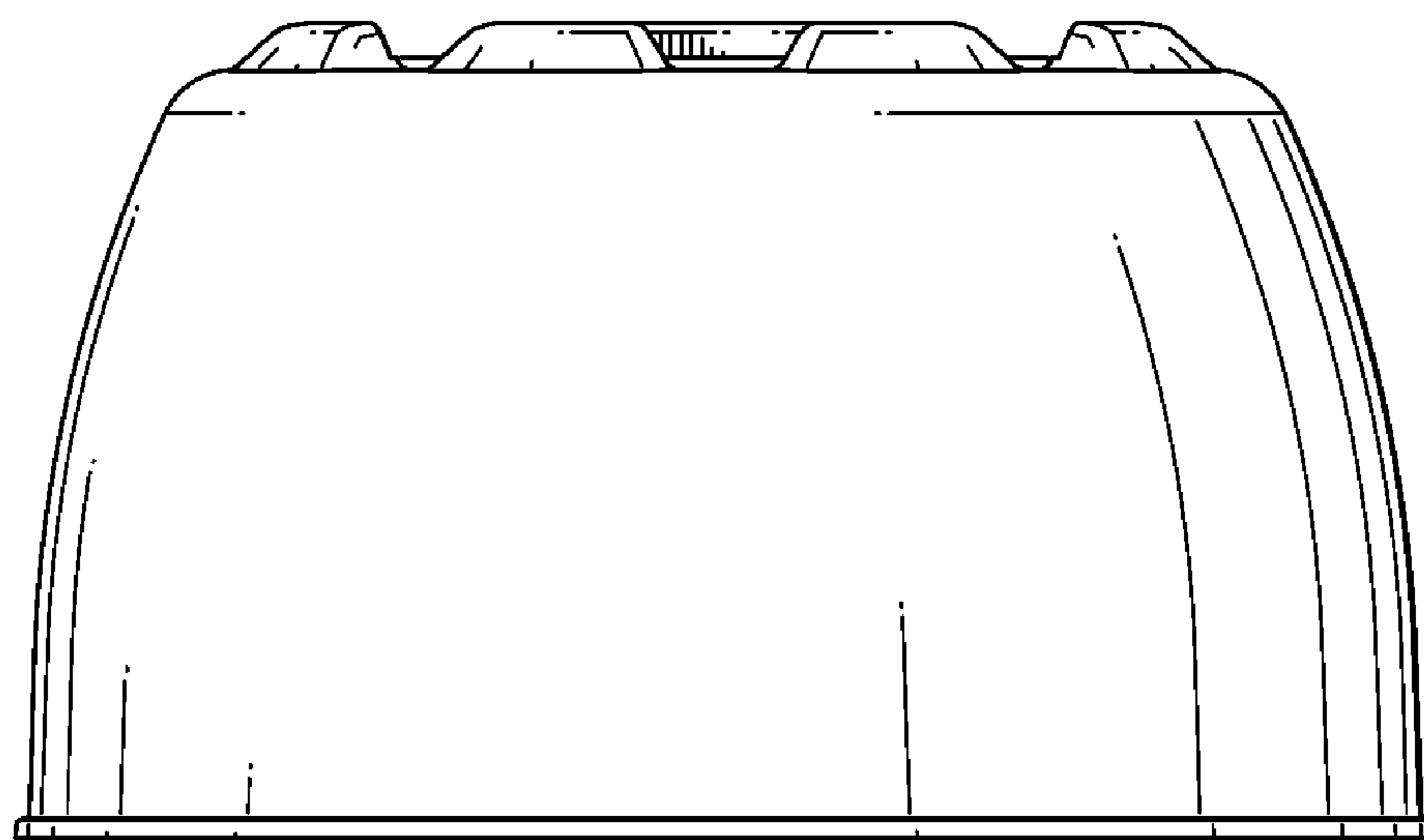


FIG. 6

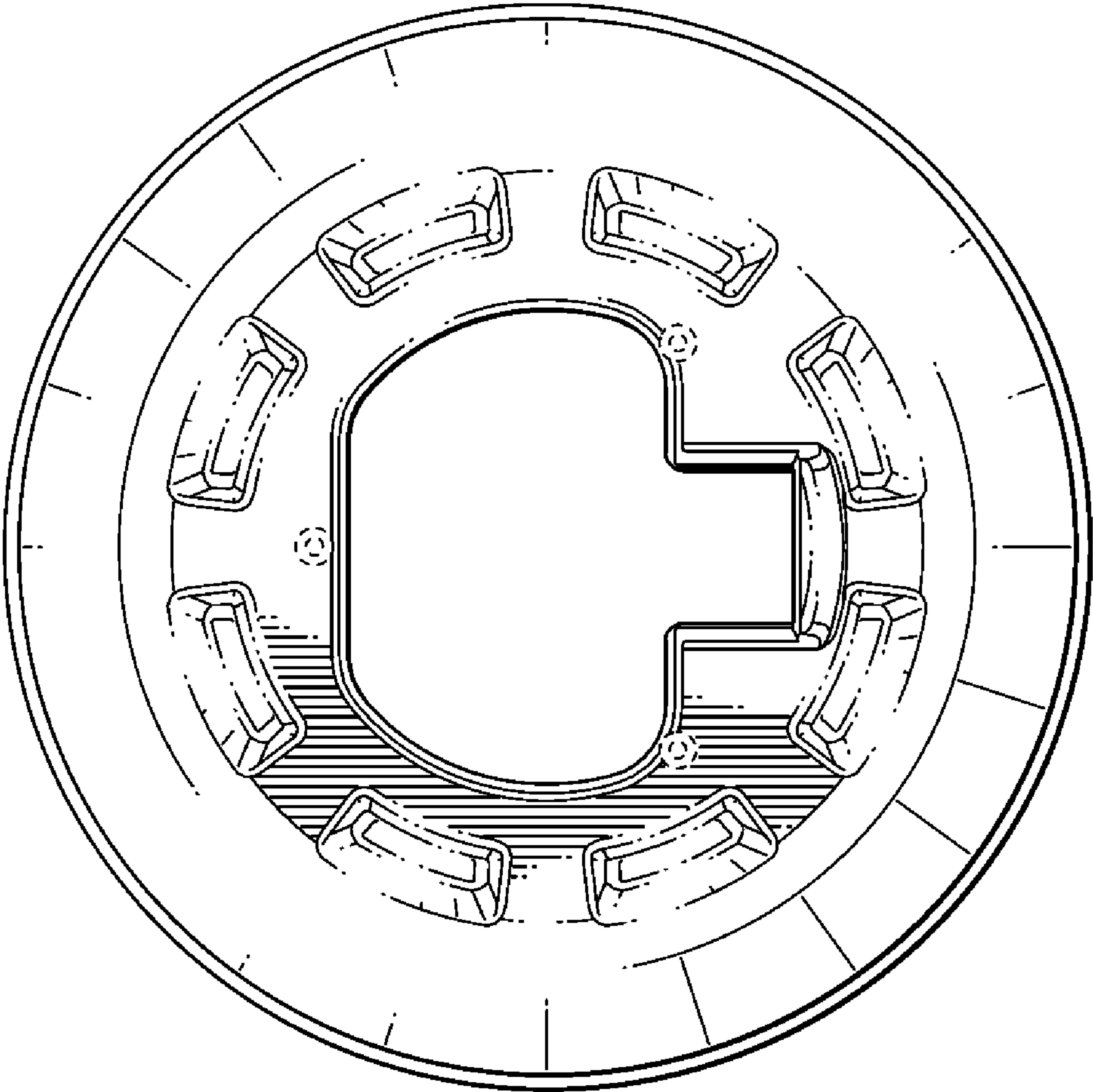


FIG. 7

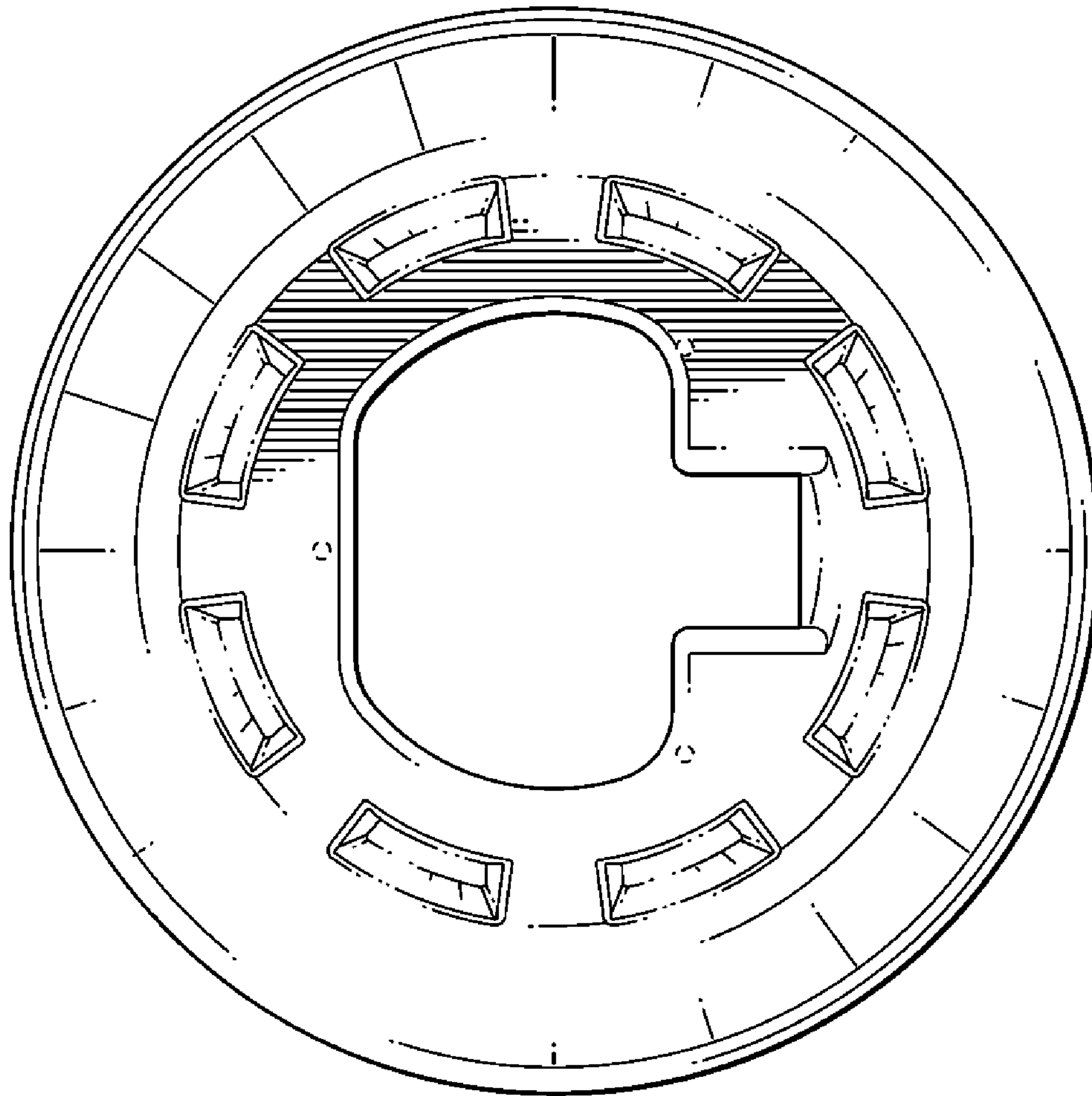


FIG. 8