



US00D561807S

(12) **United States Design Patent**  
**Ogura et al.**

(10) **Patent No.:** **US D561,807 S**  
(45) **Date of Patent:** **\*\* Feb. 12, 2008**

(54) **ELECTRONIC CAMERA**

2006/0165407 A1\* 7/2006 Ueda et al. .... 396/539  
2006/0181639 A1\* 8/2006 Ueda et al. .... 348/376

(75) Inventors: **Ryosuke Ogura**, Tokyo (JP); **Kazuhisa Horikiri**, Tokyo (JP)

\* cited by examiner

(73) Assignee: **Fujifilm Corporation**, Tokyo (JP)

*Primary Examiner*—Adir Aronovich  
*Assistant Examiner*—Wan Laymon

(\*\*) Term: **14 Years**

(74) *Attorney, Agent, or Firm*—Young & Thompson

(21) Appl. No.: **29/263,487**

(57) **CLAIM**

(22) Filed: **Jul. 25, 2006**

The ornamental design for an electronic camera, as shown and described.

(30) **Foreign Application Priority Data**

Feb. 22, 2006 (JP) ..... 2006-004091

**DESCRIPTION**

(51) **LOC (8) Cl.** ..... **16-05**

FIG. 1 is a top, front and side perspective view of an electronic camera showing our new design;

(52) **U.S. Cl.** ..... **D16/219; D16/202**

FIG. 2 is a front elevational view thereof;

(58) **Field of Classification Search** ..... D16/200–205,  
D16/208, 212, 218–219; 348/373–376; 358/909.1;  
396/349, 448, 535–541

FIG. 3 is a top plan view thereof;

See application file for complete search history.

FIG. 4 is a bottom plan view thereof;

FIG. 5 is a side elevational view thereof from the left of FIG. 2;

(56) **References Cited**

**U.S. PATENT DOCUMENTS**

5,980,121 A \* 11/1999 Fujisaki ..... 396/349  
6,347,893 B1 \* 2/2002 Shiono et al. .... 396/448  
6,796,727 B2 \* 9/2004 Tanabe ..... 396/448  
7,050,714 B2 \* 5/2006 Yamane ..... 396/349  
D524,836 S \* 7/2006 Morita ..... D16/202  
D532,434 S \* 11/2006 Horikiri ..... D16/212  
D541,834 S \* 5/2007 Horikiri et al. .... D16/202

FIG. 6 is a side elevational view thereof from the right of FIG. 2; and,

FIG. 7 is a view similar to FIG. 1, but with the parts in a different position.

The broken lines show environmental structure and do not form a part of the design claimed in the present application.

**1 Claim, 4 Drawing Sheets**

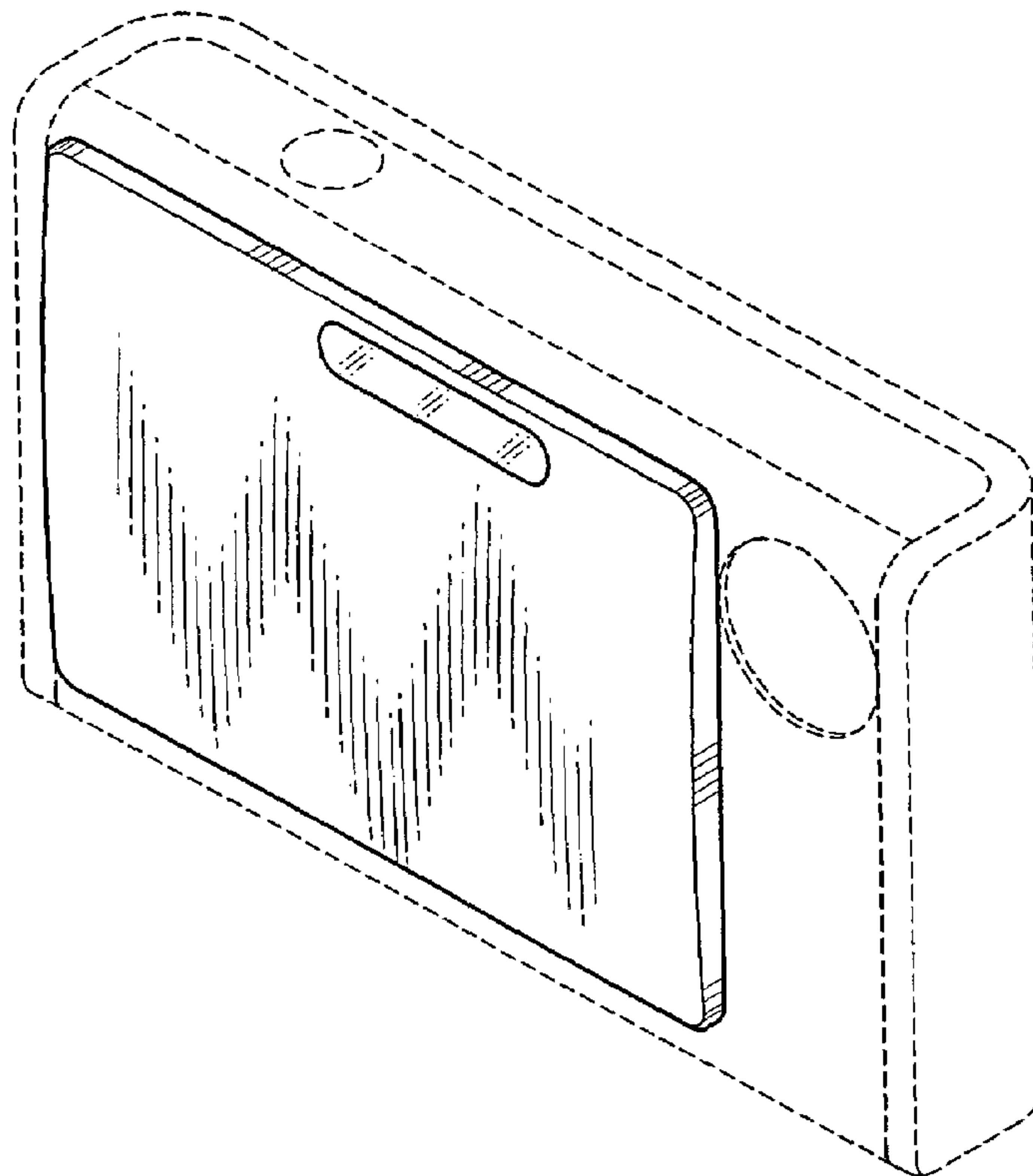


FIG. 1

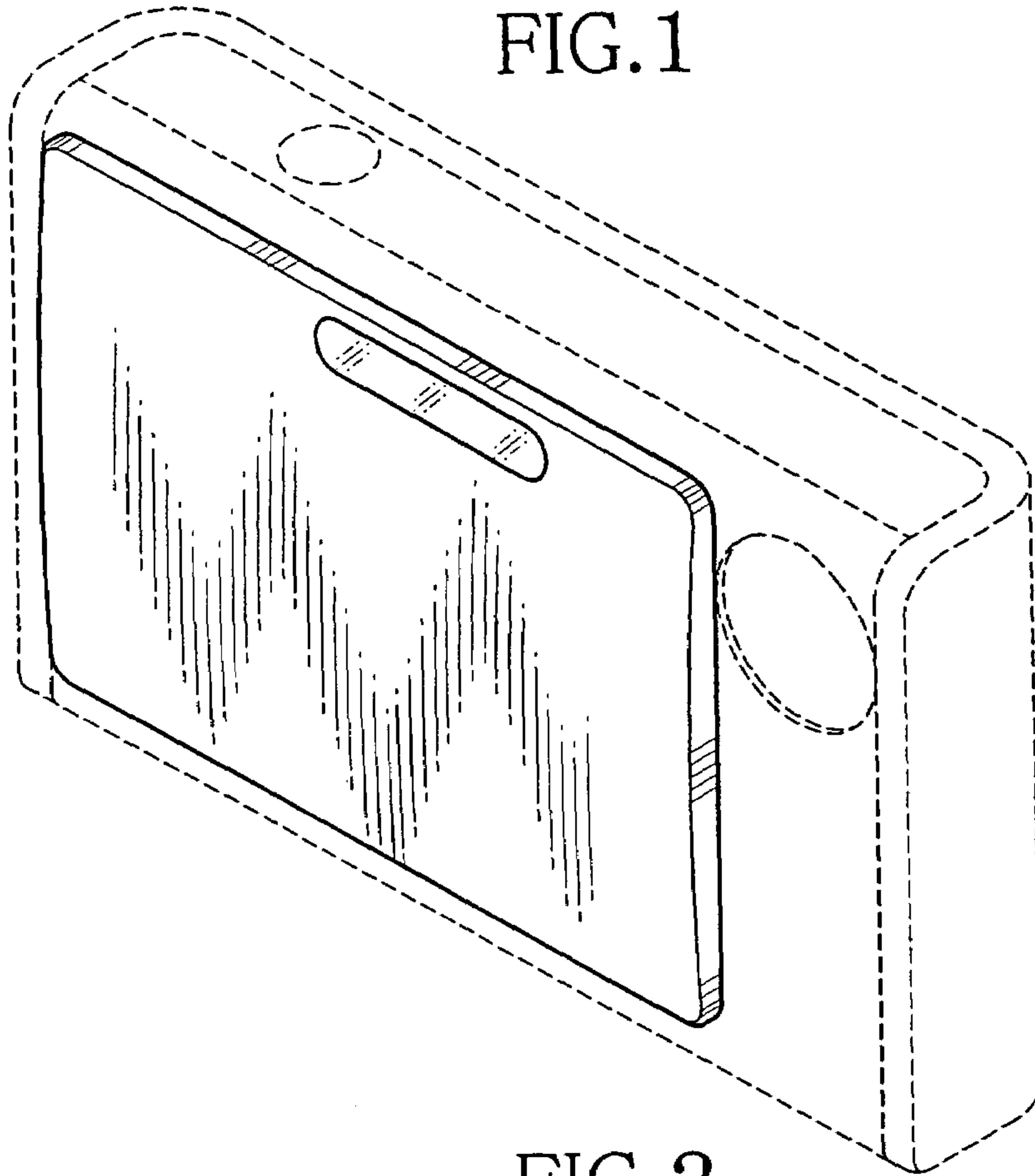


FIG. 2

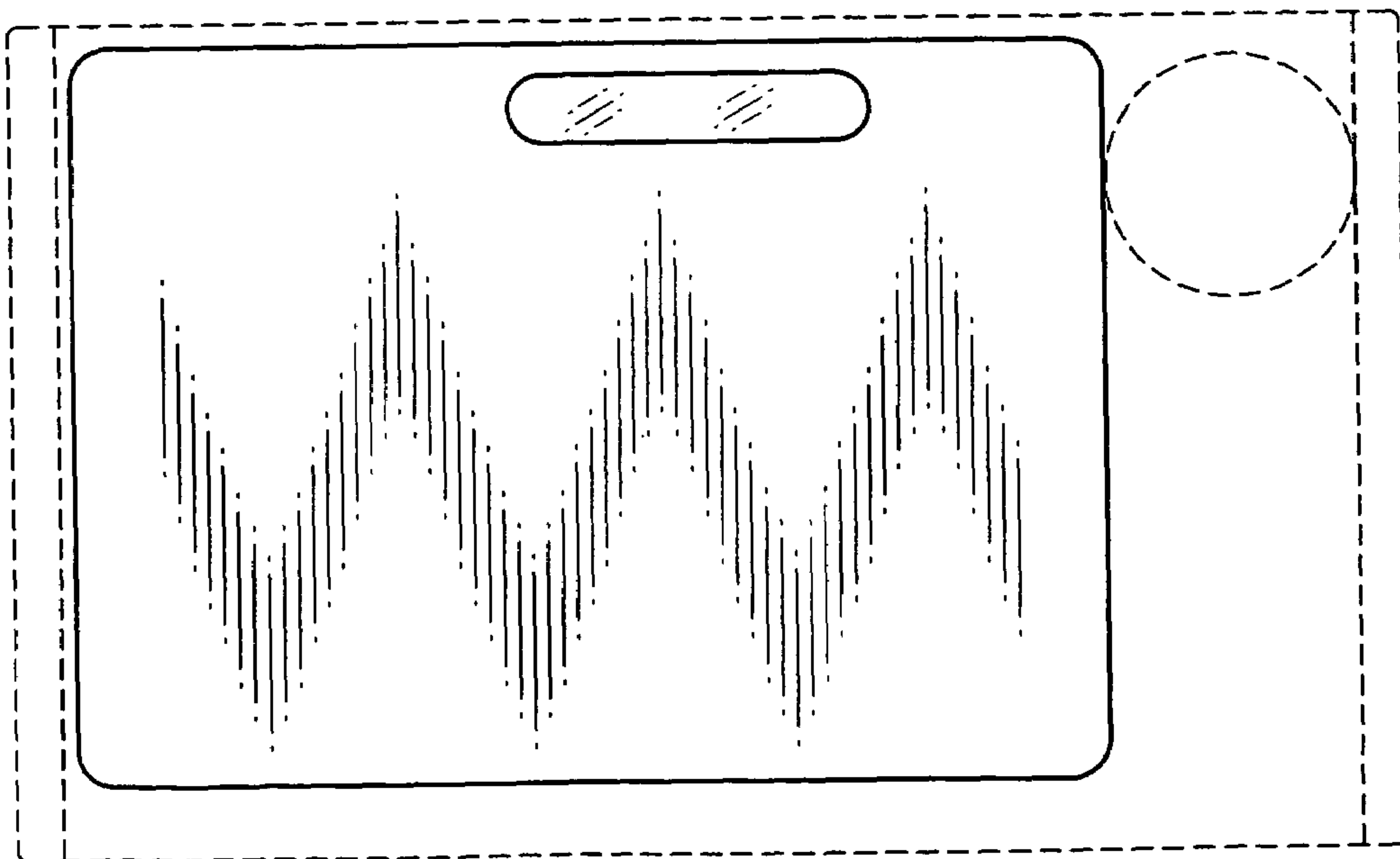


FIG.3

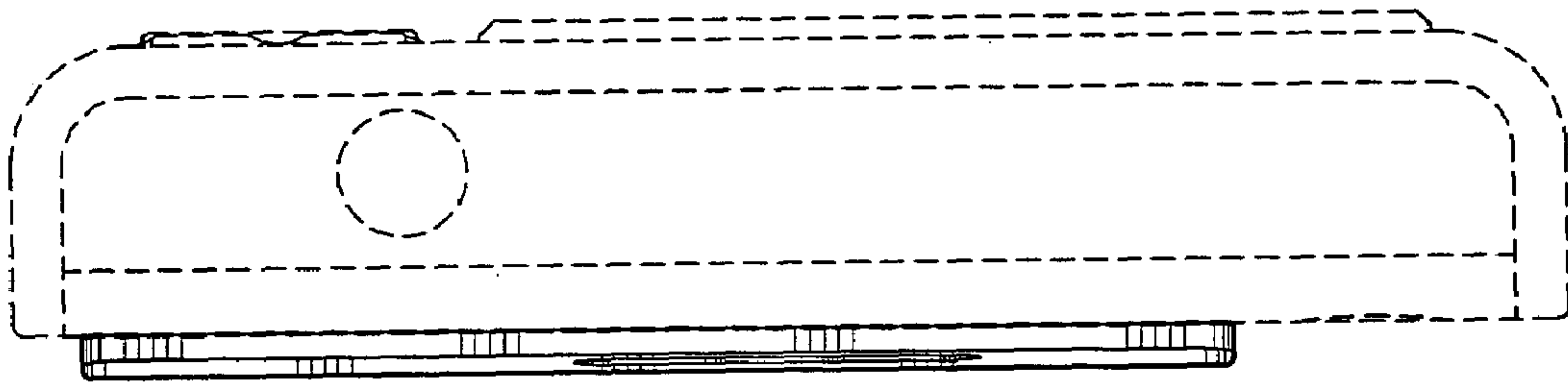


FIG.4

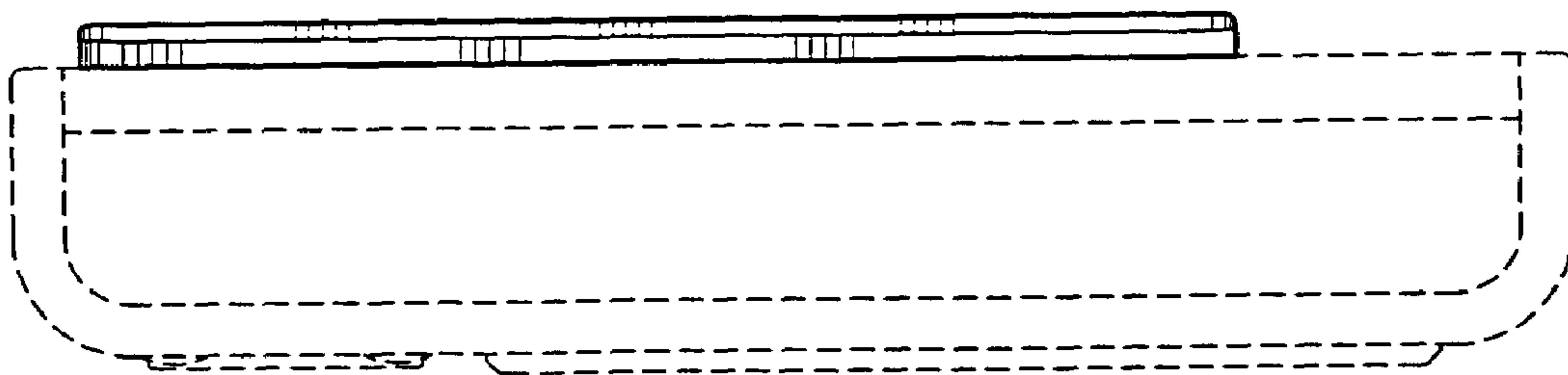


FIG. 5

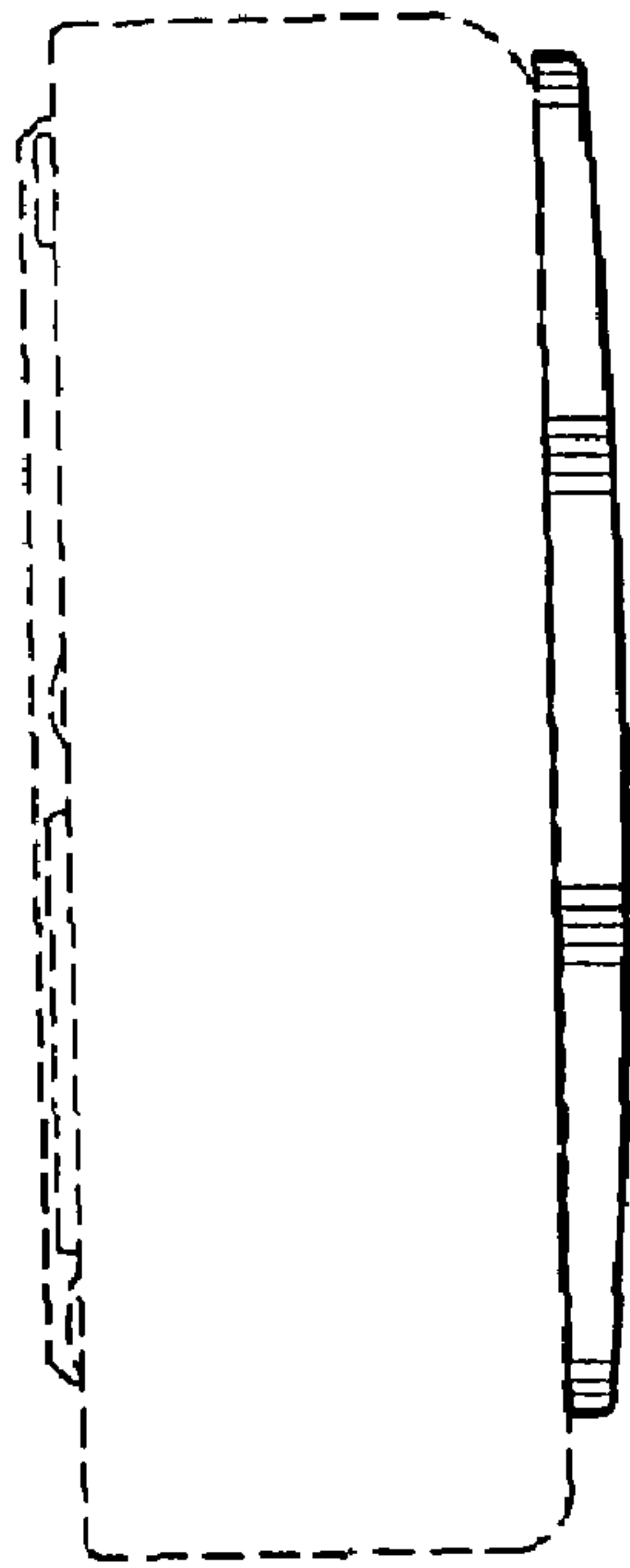


FIG. 6

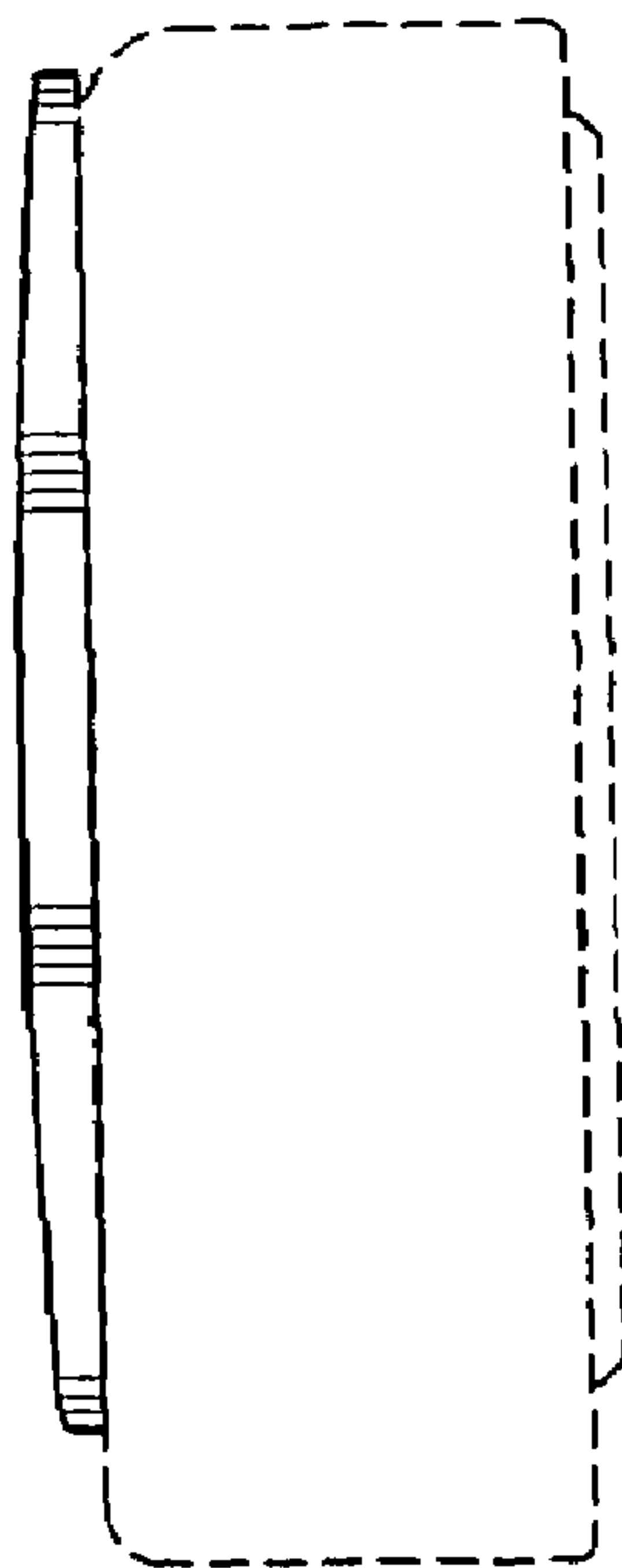


FIG. 7

