



US00D561805S

(12) **United States Design Patent**  
**Tokiwa et al.**

(10) **Patent No.:** **US D561,805 S**

(45) **Date of Patent:** **\*\* Feb. 12, 2008**

(54) **IMAGE TRANSMITTER**

(75) Inventors: **Kentaro Tokiwa**, Asaki (JP); **Takehiko Senba**, Asaka (JP); **Hiroshi Tanaka**, Asaka (JP)

(73) Assignee: **Fujifilm Corporation**, Tokyo (JP)

(\*\*) Term: **14 Years**

(21) Appl. No.: **29/235,885**

(22) Filed: **Aug. 9, 2005**

(30) **Foreign Application Priority Data**

Feb. 10, 2005 (JP) ..... 2005-003647

(51) **LOC (8) Cl.** ..... **16-01**

(52) **U.S. Cl.** ..... **D16/208; D16/219**

(58) **Field of Classification Search** ..... D16/200-205,  
D16/208, 218-219, 134, 136; D14/130;  
D6/300, 310; D8/349, 354; 248/200, 300;  
348/14.01-14.1, 373-376; 396/529-532,  
396/419, 429, 430, 535-541

See application file for complete search history.

(56) **References Cited**

**U.S. PATENT DOCUMENTS**

D437,543 S \* 2/2001 Mudryk et al. .... D8/354  
D441,000 S \* 4/2001 Vanderwilt et al. .... D16/202  
D475,385 S \* 6/2003 Christianson ..... D16/202

D517,585 S \* 3/2006 Iino et al. .... D16/203  
D536,719 S \* 2/2007 Lukic et al. .... D16/202  
D537,462 S \* 2/2007 Tokiwa et al. .... D16/219

\* cited by examiner

*Primary Examiner*—Ian Simmons

*Assistant Examiner*—Wan Laymon

(74) *Attorney, Agent, or Firm*—Young & Thompson

(57) **CLAIM**

The ornamental design for an image transmitter, as shown and described.

**DESCRIPTION**

FIG. 1 is a top, front and side perspective view of an image transmitter showing our new design;

FIG. 2 is a front elevational view thereof;

FIG. 3 is a rear elevational view thereof;

FIG. 4 is a top plan view thereof;

FIG. 5 is a bottom plan view thereof;

FIG. 6 is a side elevational view thereof from the left of FIG. 2; and,

FIG. 7 is a side elevational view thereof from the right of FIG. 2.

The broken line showing is for illustrative purposes only and forms no part of the claimed design.

**1 Claim, 4 Drawing Sheets**

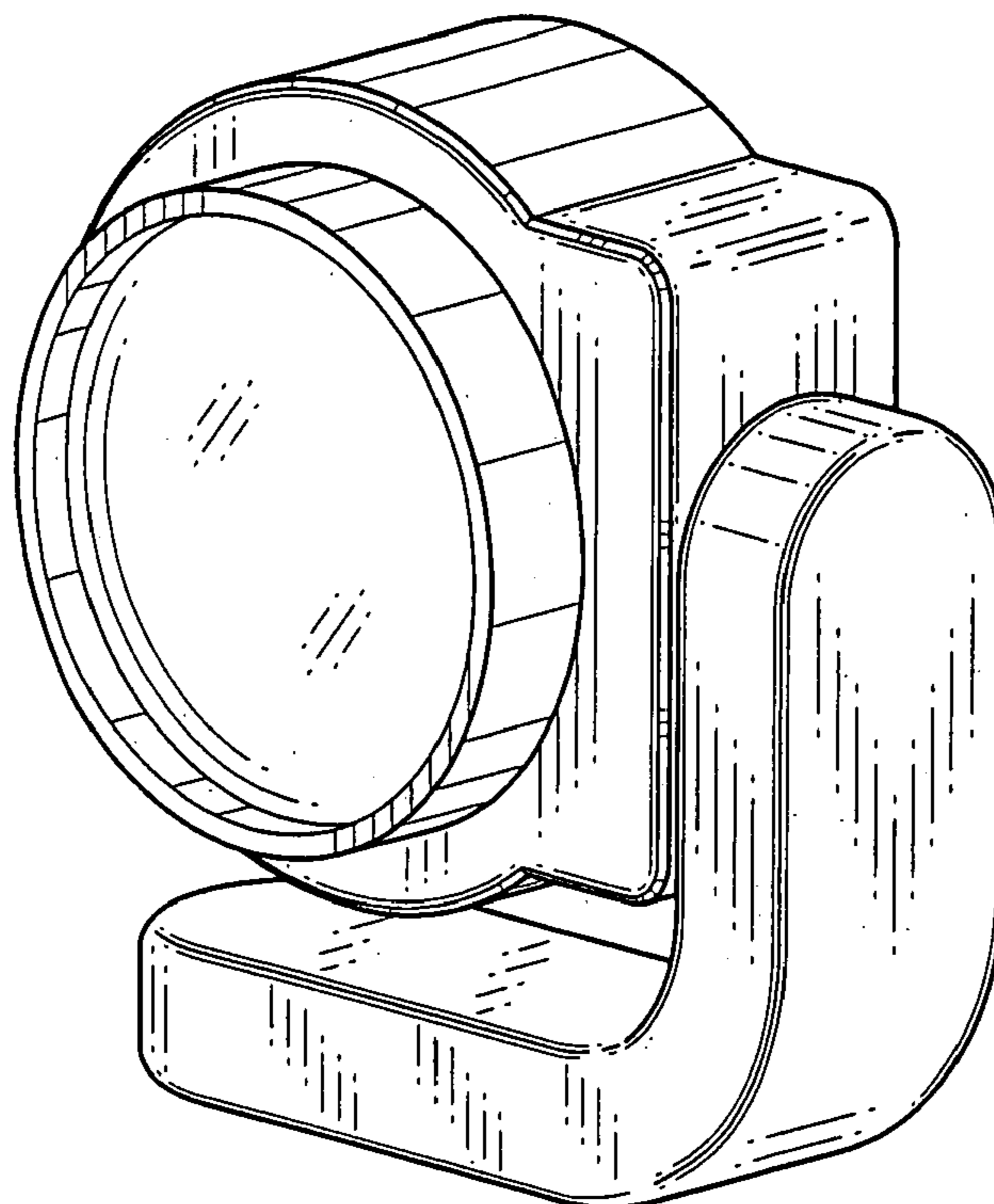


FIG. 1

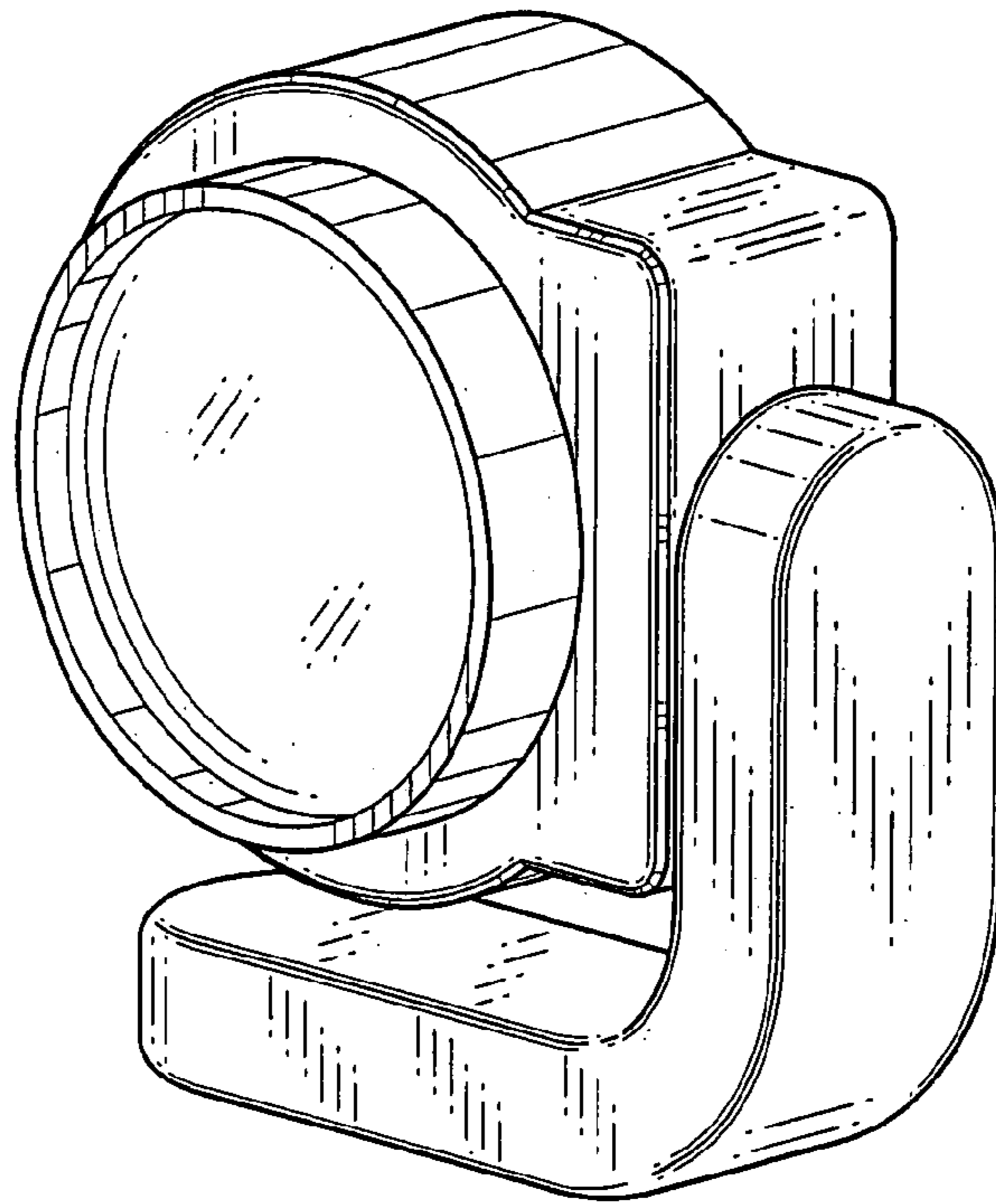


FIG. 2

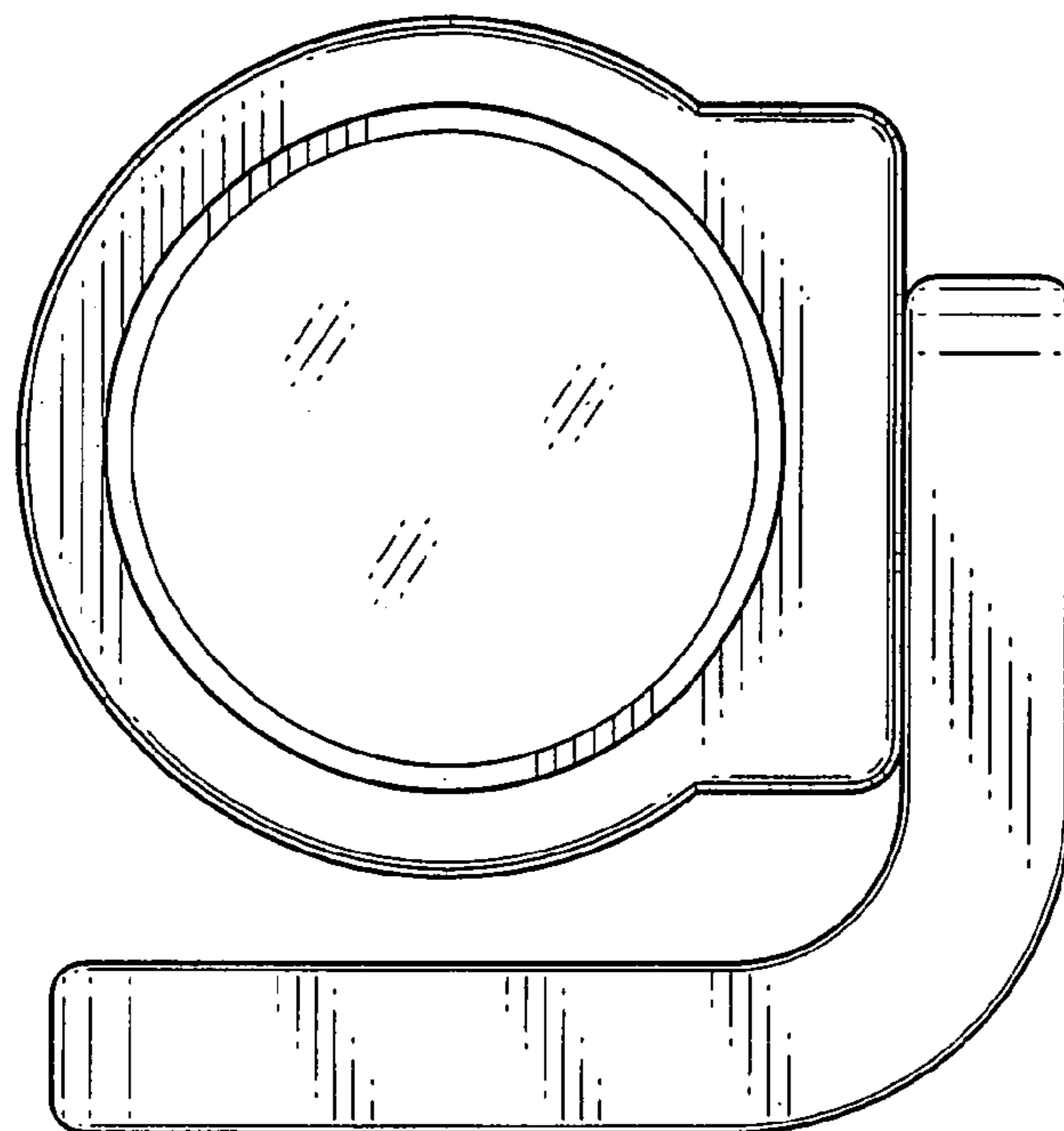


FIG. 3

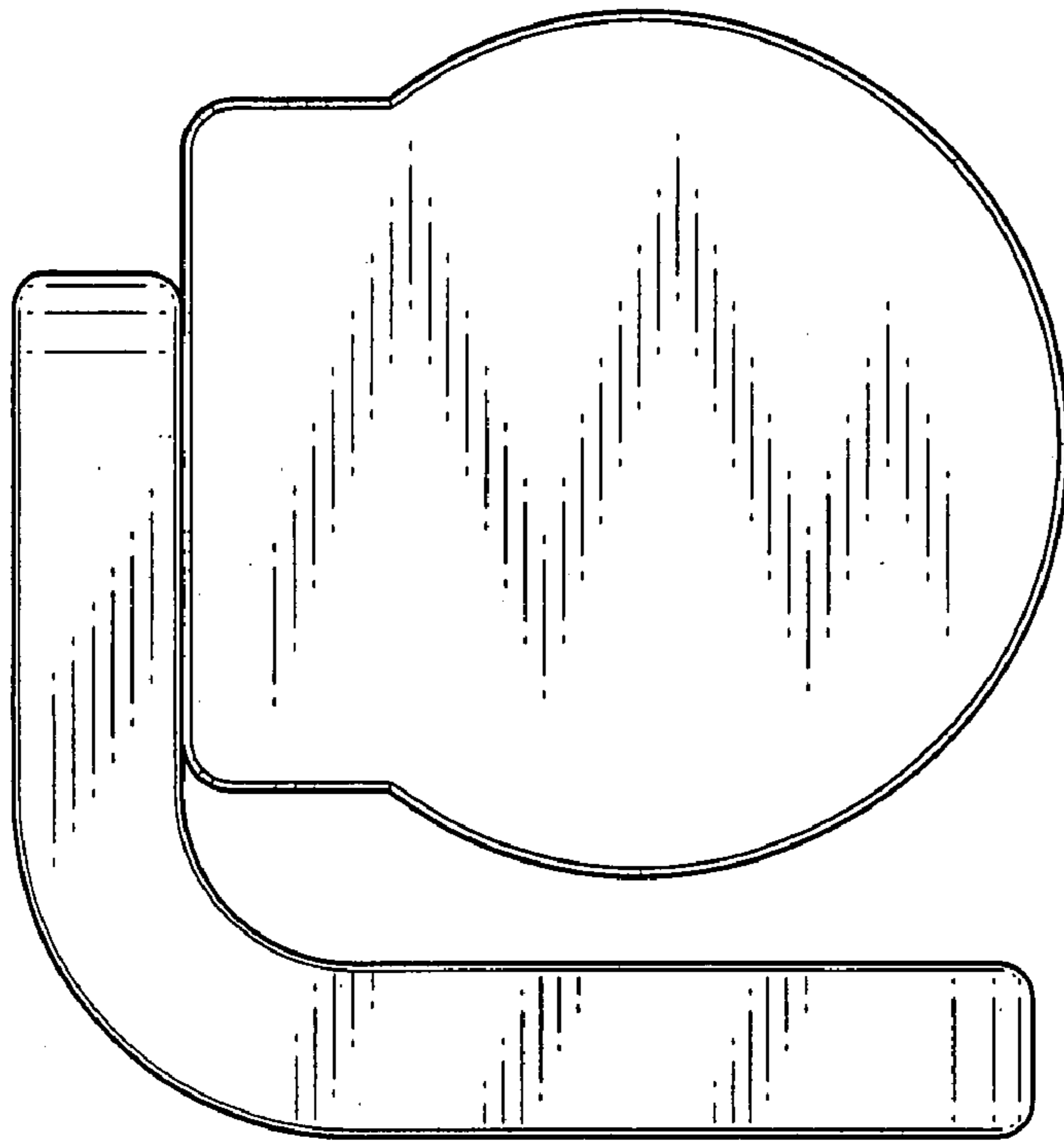


FIG. 4

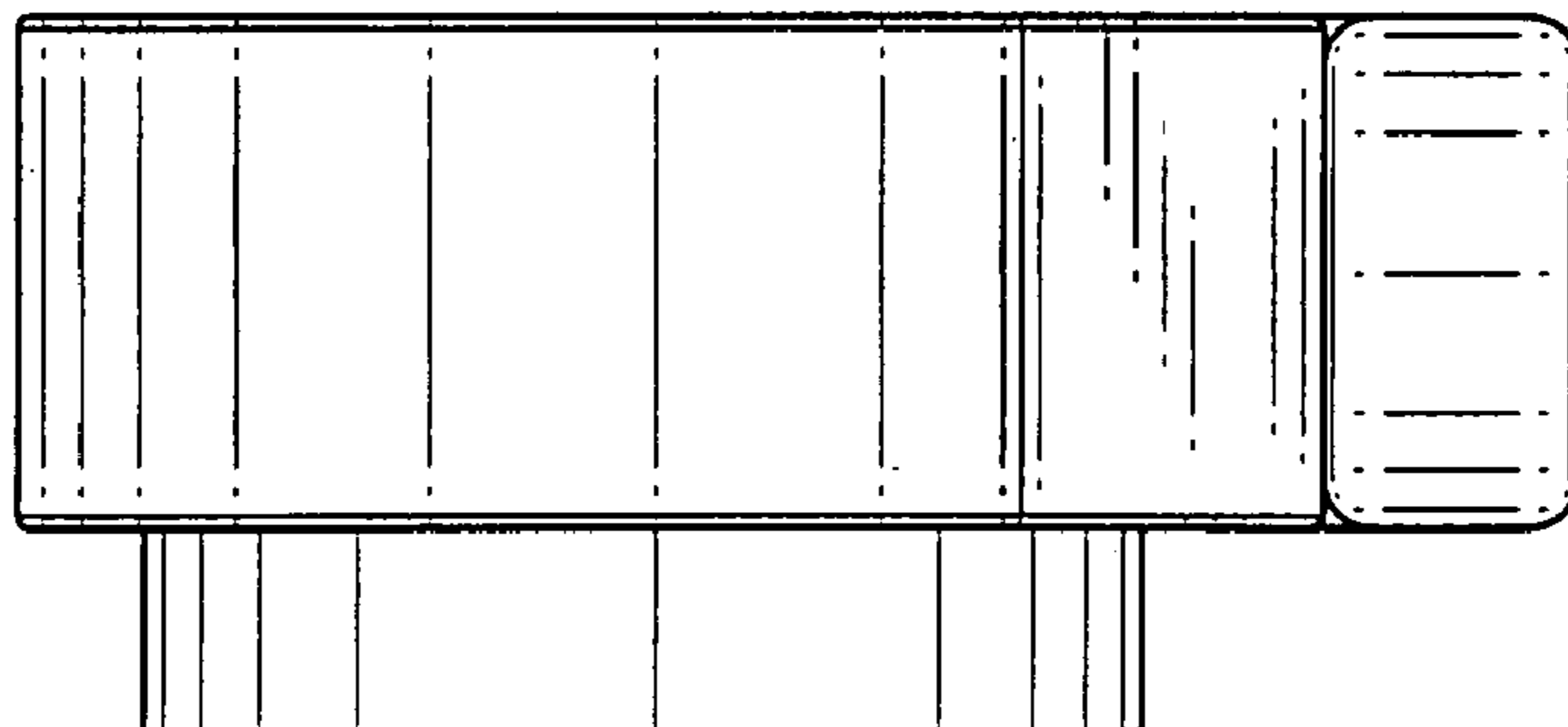


FIG.5

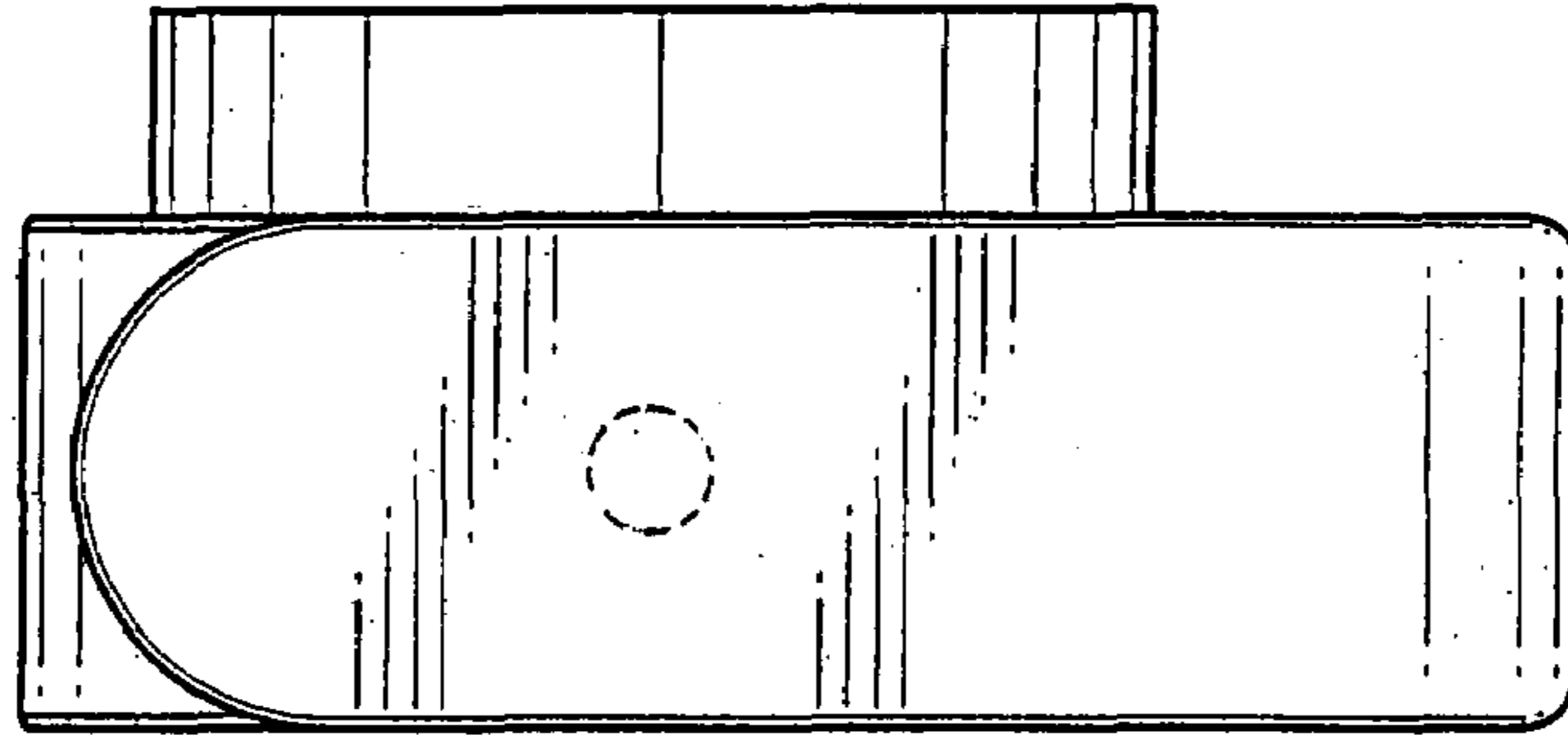


FIG.6

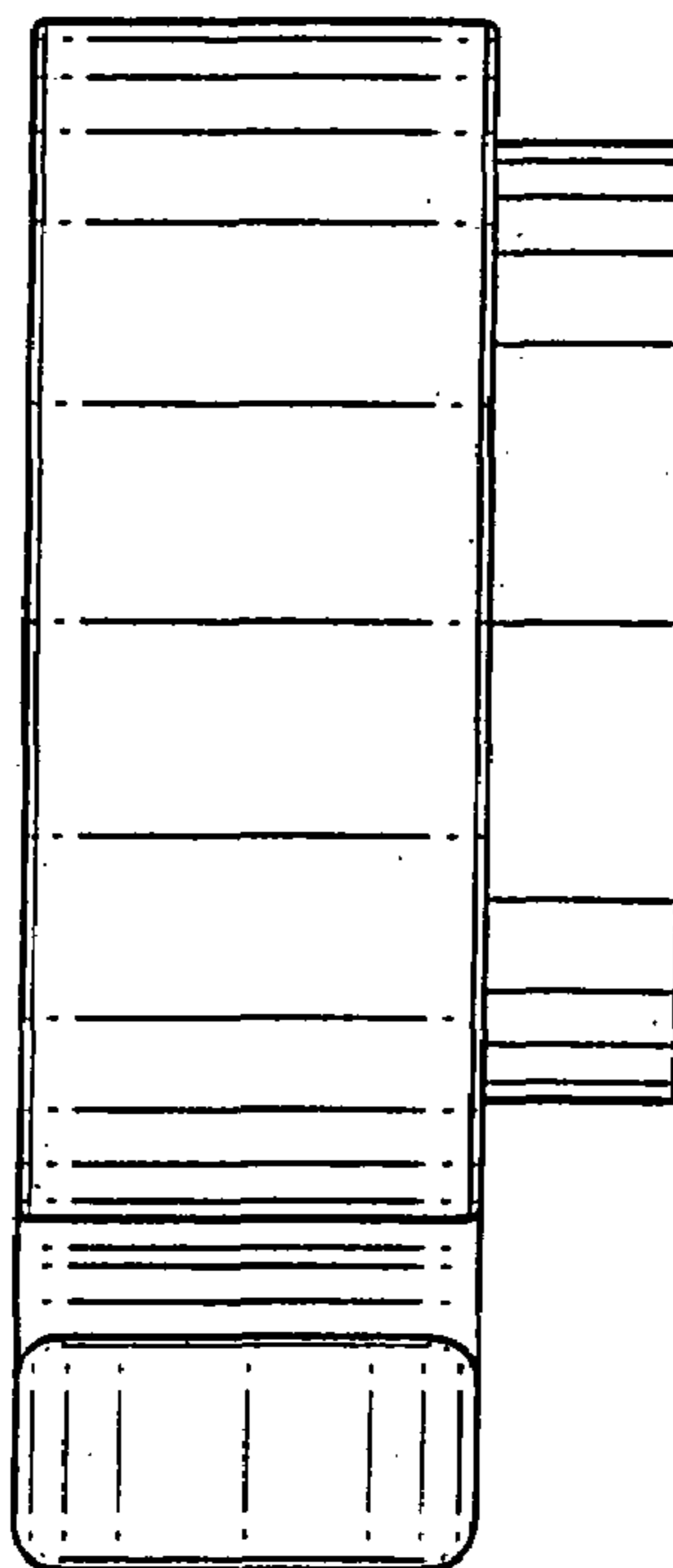


FIG. 7

