



US00D561804S

(12) **United States Design Patent**
Asai et al.

(10) **Patent No.:** **US D561,804 S**
(45) **Date of Patent:** **** Feb. 12, 2008**

(54) **SURVEILLANCE TELEVISION CAMERA**

(75) Inventors: **Yoshihiko Asai**, Tokyo (JP); **Noboru Takada**, Kanagawa (JP); **Kazushige Tamura**, Kanagawa (JP)

(73) Assignee: **Matsushita Electric Industrial Co., Ltd.**, Osaka (JP)

(**) Term: **14 Years**

(21) Appl. No.: **29/225,320**

(22) Filed: **Mar. 8, 2005**

(30) **Foreign Application Priority Data**

Sep. 8, 2004 (JP) 2004-027310
Sep. 8, 2004 (JP) 2004-027311

(51) **LOC (8) Cl.** **16-01**

(52) **U.S. Cl.** **D16/203; D16/208**

(58) **Field of Classification Search** D16/200–206,
D16/208, 218–219; 348/143, 151, 373–376;
396/427, 535–543

See application file for complete search history.

(56) **References Cited**

U.S. PATENT DOCUMENTS

3,175,037	A *	3/1965	Padgitt	348/335
3,916,097	A *	10/1975	Imai	348/151
D248,305	S *	6/1978	Scott	D16/203
D275,294	S	8/1984	Pagano		
D307,759	S	5/1990	Pagano		
5,223,872	A	6/1993	Stiepel et al.		
5,689,304	A	11/1997	Jones et al.		
D388,450	S	12/1997	Hamano et al.		
D399,517	S	10/1998	Hasegawa		
D405,456	S *	2/1999	Lefkowitz	D16/203
D412,924	S *	8/1999	Hiraguchi	D16/219
D414,504	S *	9/1999	Madden	D16/203
D415,509	S *	10/1999	Hiraguchi	D16/203
D416,273	S	11/1999	Yamakawa et al.		
D425,534	S	5/2000	Mutoh et al.		
D425,535	S	5/2000	Mutoh et al.		
6,354,749	B1 *	3/2002	Pfaffenberger, II	396/427

D470,520	S	2/2003	Yamakawa et al.		
6,525,766	B1 *	2/2003	Ikoma et al.	348/151
6,678,001	B1 *	1/2004	Elberbaum	348/373
6,700,620	B1 *	3/2004	Arnold et al.	348/373
D489,742	S *	5/2004	Nagai	D16/203
D489,744	S	5/2004	Muto		
6,735,382	B2 *	5/2004	Schneider	396/26
D497,927	S *	11/2004	Arbuckle et al.	D16/203
D501,863	S *	2/2005	Nagai	D16/203
2003/0103161	A1 *	6/2003	Tatewaki et al.	348/375

* cited by examiner

Primary Examiner—Ian Simmons

Assistant Examiner—Wan Laymon

(74) *Attorney, Agent, or Firm*—Christensen O'Connor Johnson Kindness PLLC

(57) **CLAIM**

The ornamental design for a surveillance television camera, as shown and described.

DESCRIPTION

FIG. 1 is a perspective view of the front, bottom and left side of a surveillance television camera showing our new design;

FIG. 2 is a front view thereof;

FIG. 3 is a right side view thereof, the left side view being a mirror image thereof;

FIG. 4 is a top plan view thereof;

FIG. 5 is a bottom view thereof;

FIG. 6 is a perspective view of the front, bottom and left side of a surveillance television camera showing our new design of second embodiment thereof;

FIG. 7 is a front view thereof;

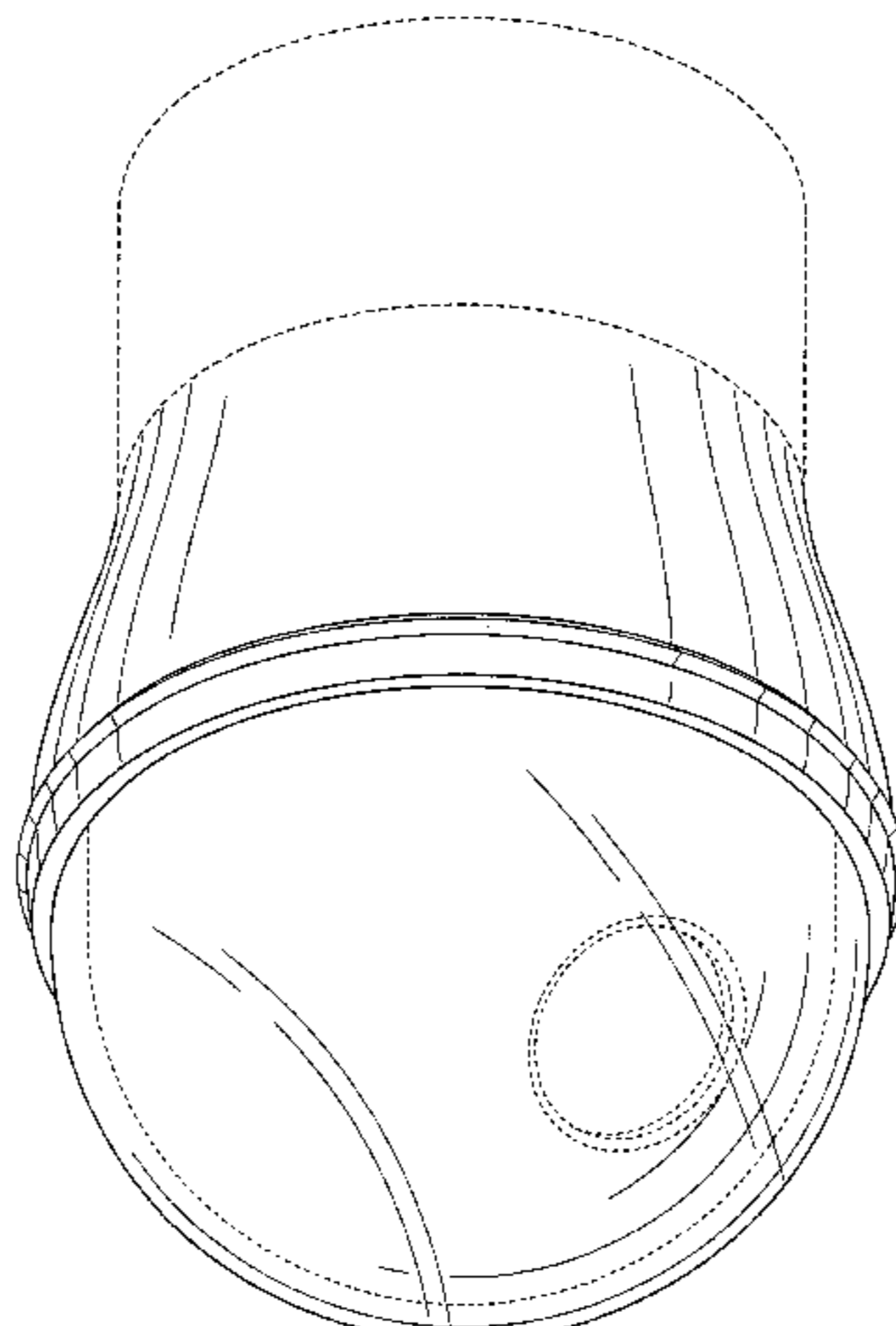
FIG. 8 is a right side view thereof, the left side view being a mirror image thereof;

FIG. 9 is a top plan view thereof; and,

FIG. 10 is a bottom view thereof.

The broken line showing of an interior camera member is for the purpose of illustrating a portion of the surveillance television camera and forms no part of the claimed design.

1 Claim, 10 Drawing Sheets



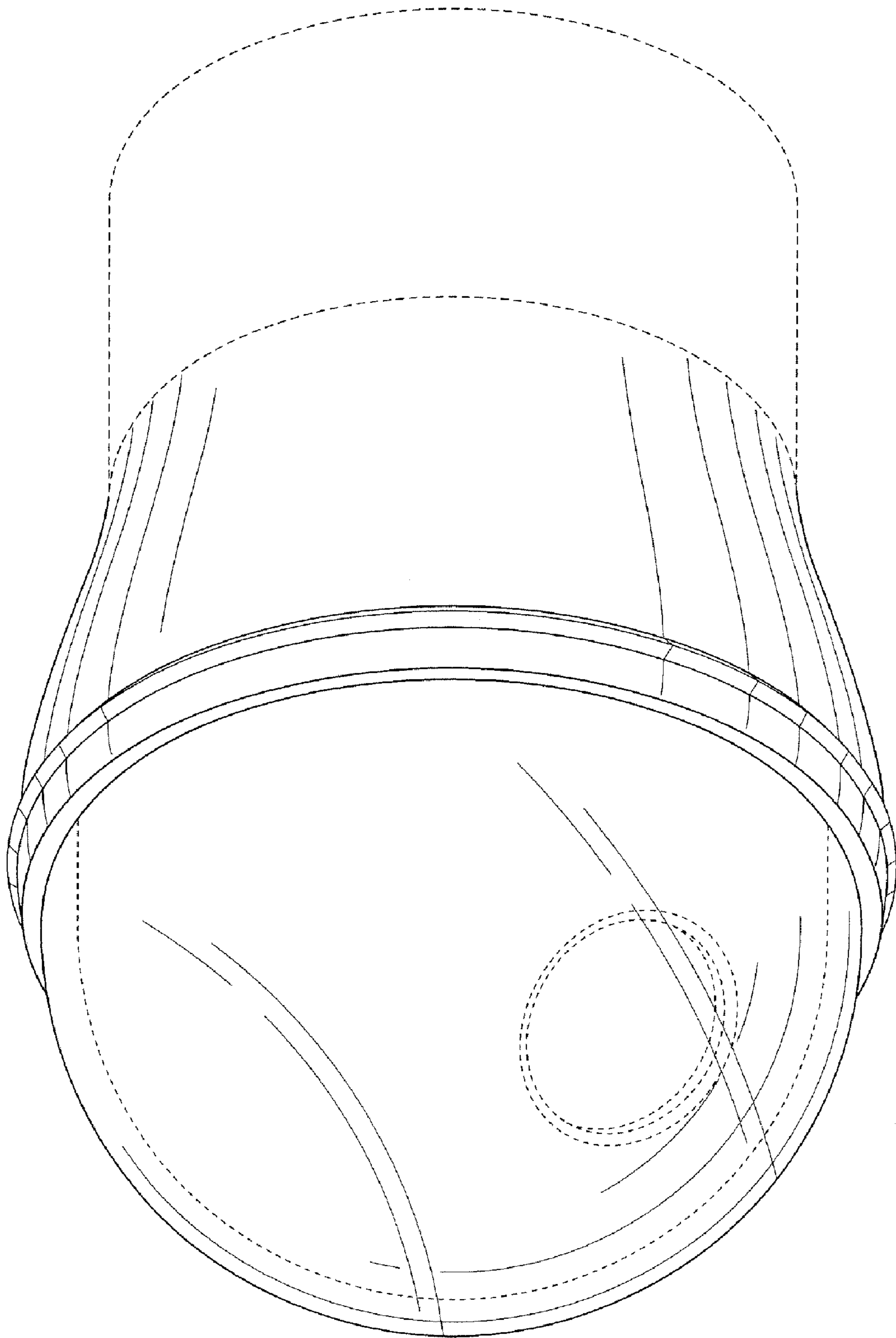


FIG. 1

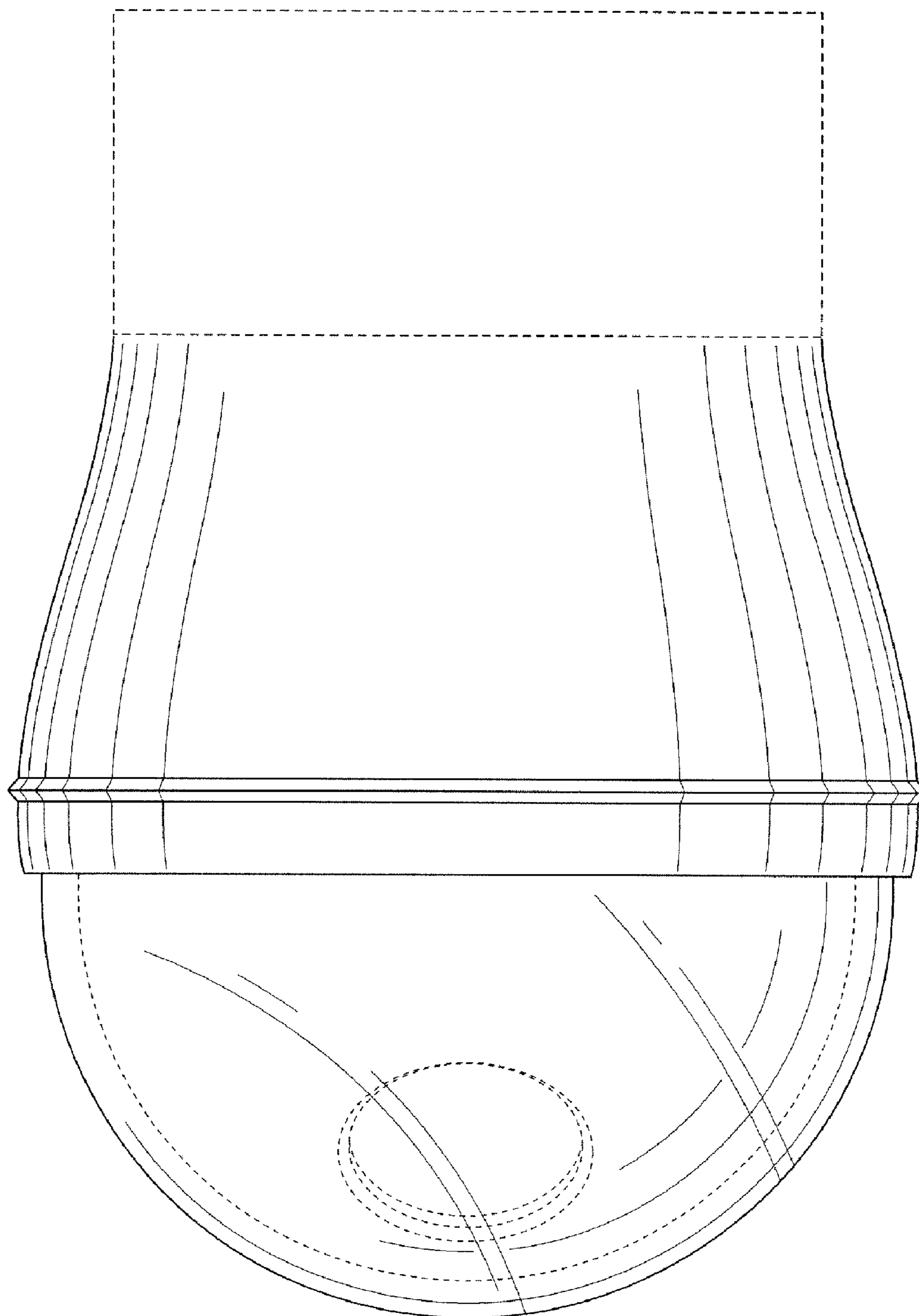


FIG. 2

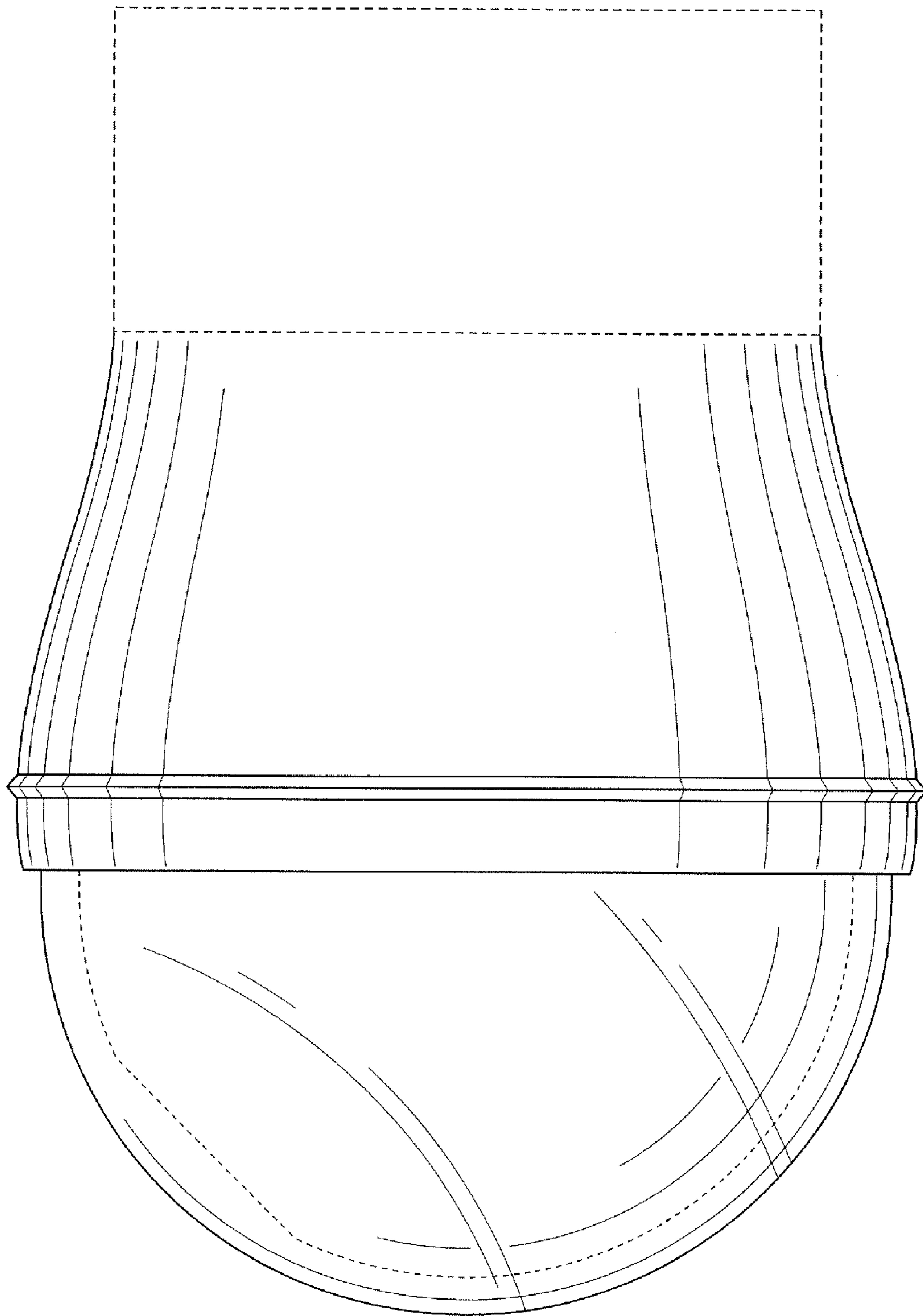


FIG. 3

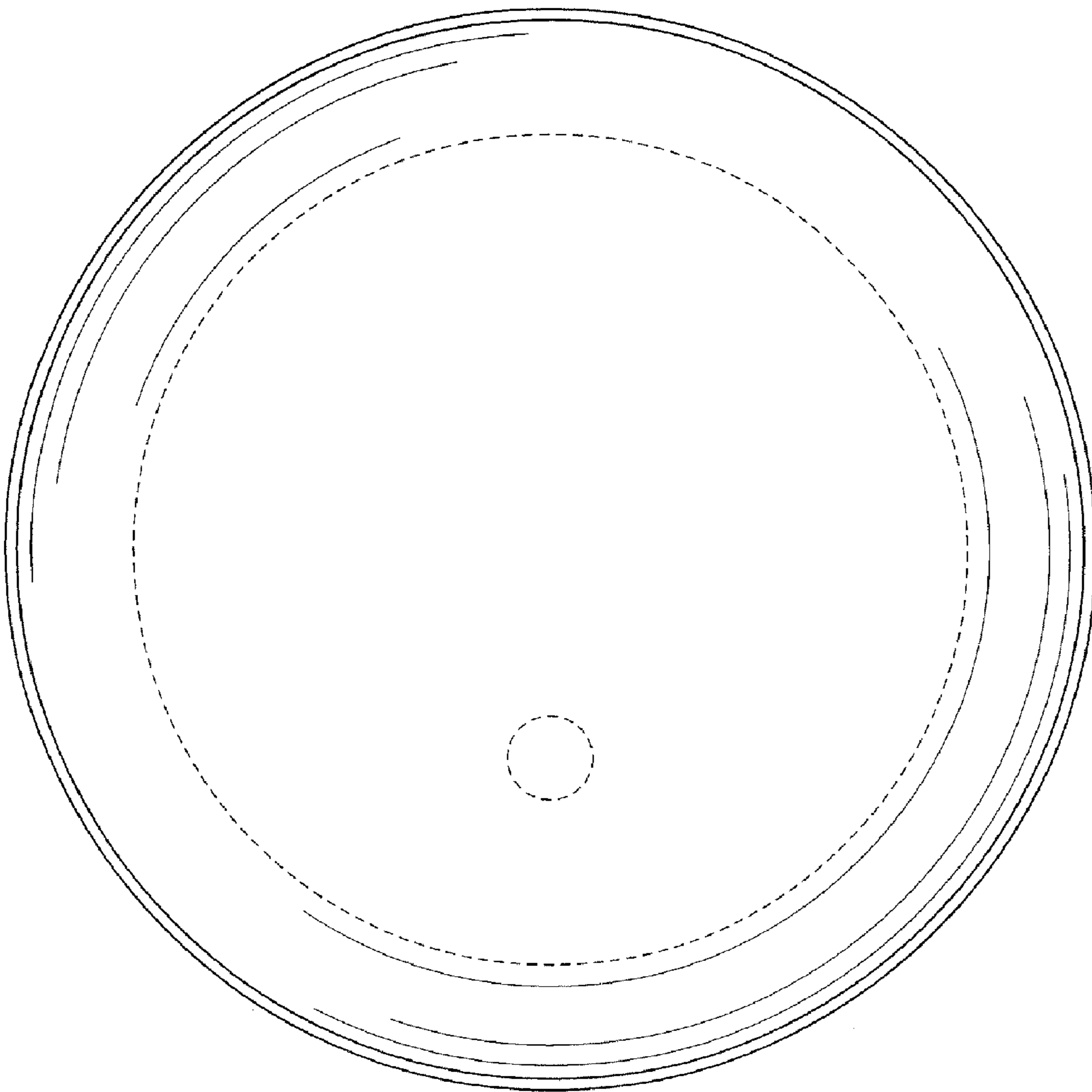


FIG. 4

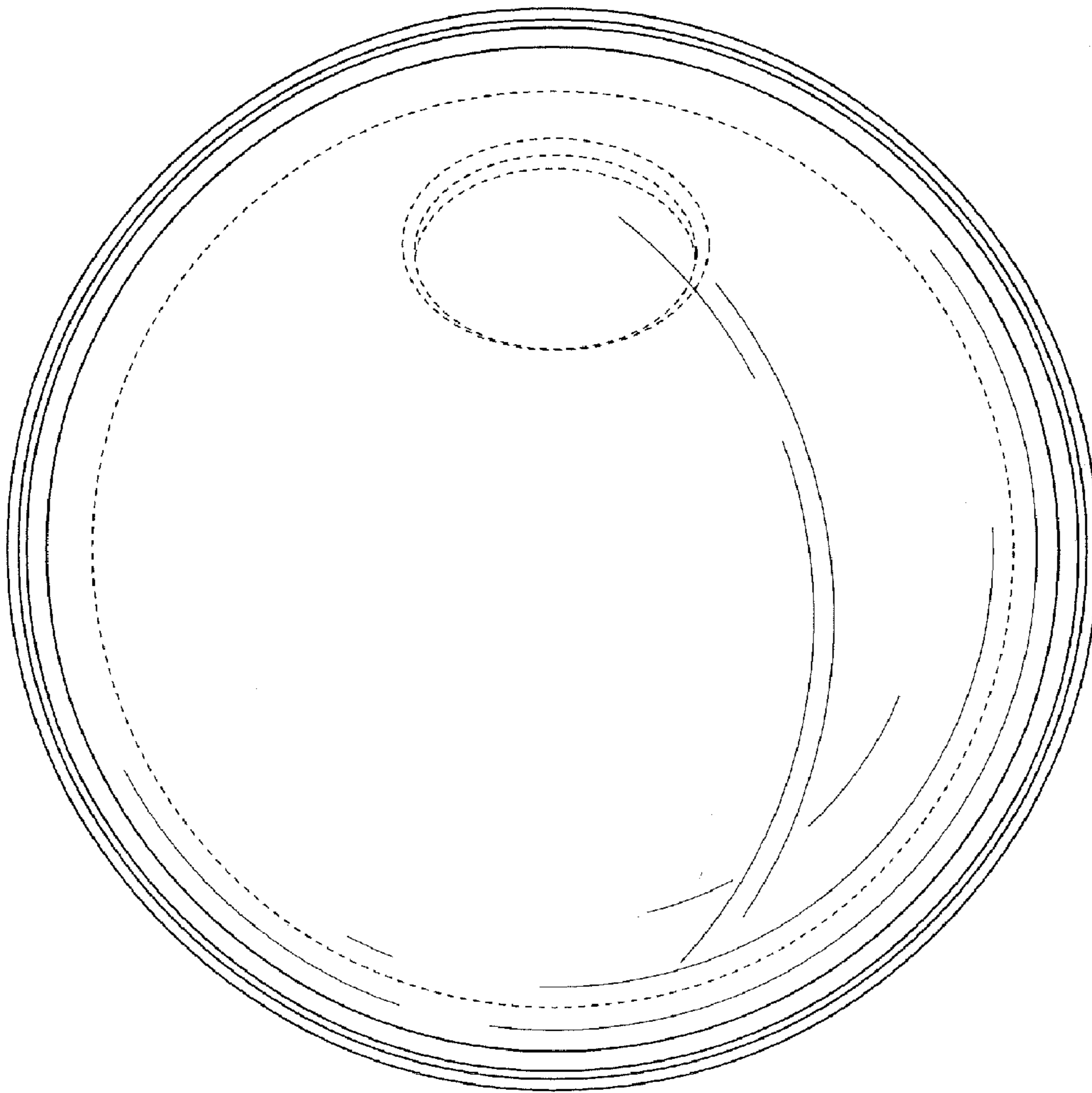


FIG. 5

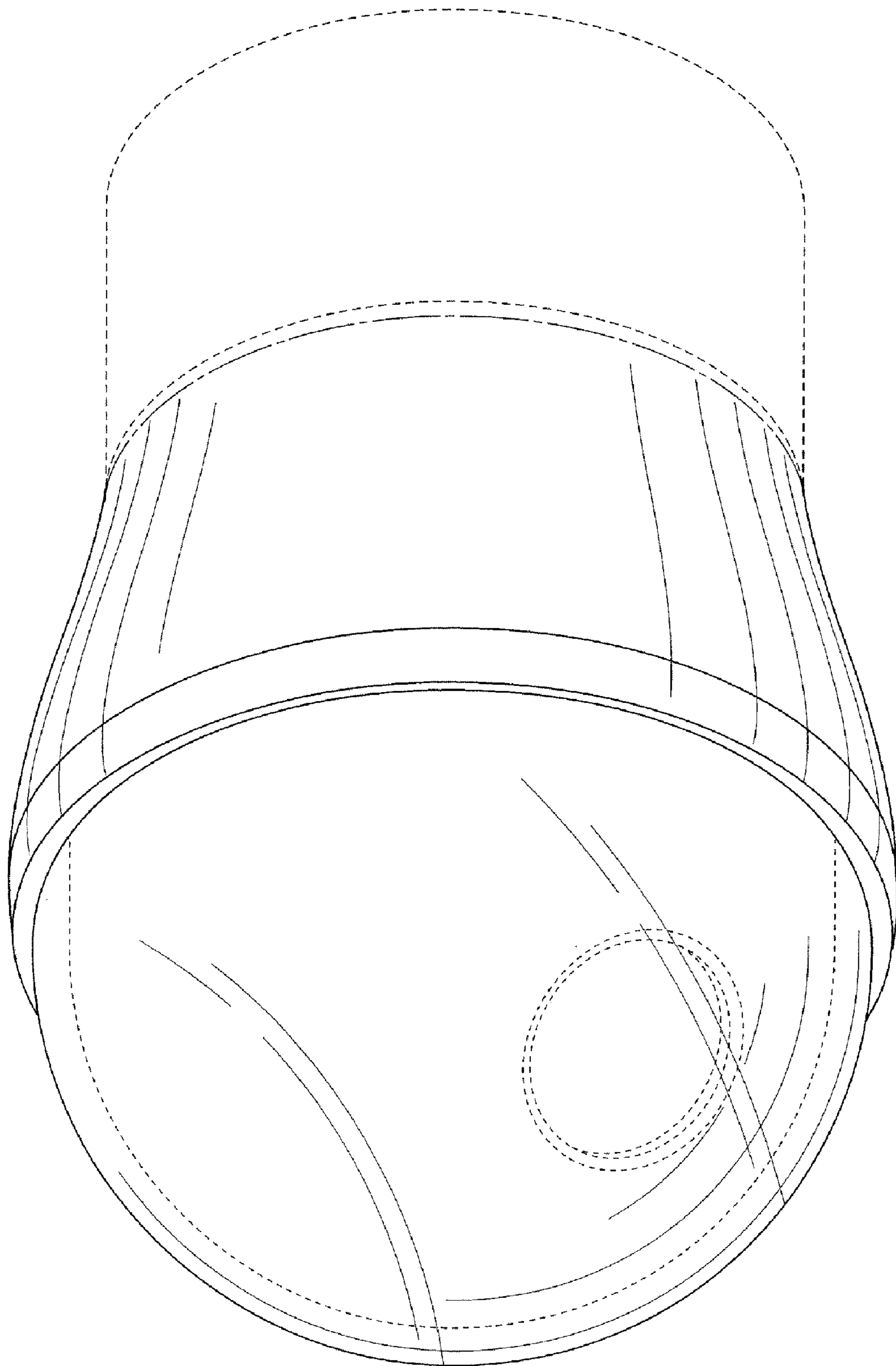


FIG. 6

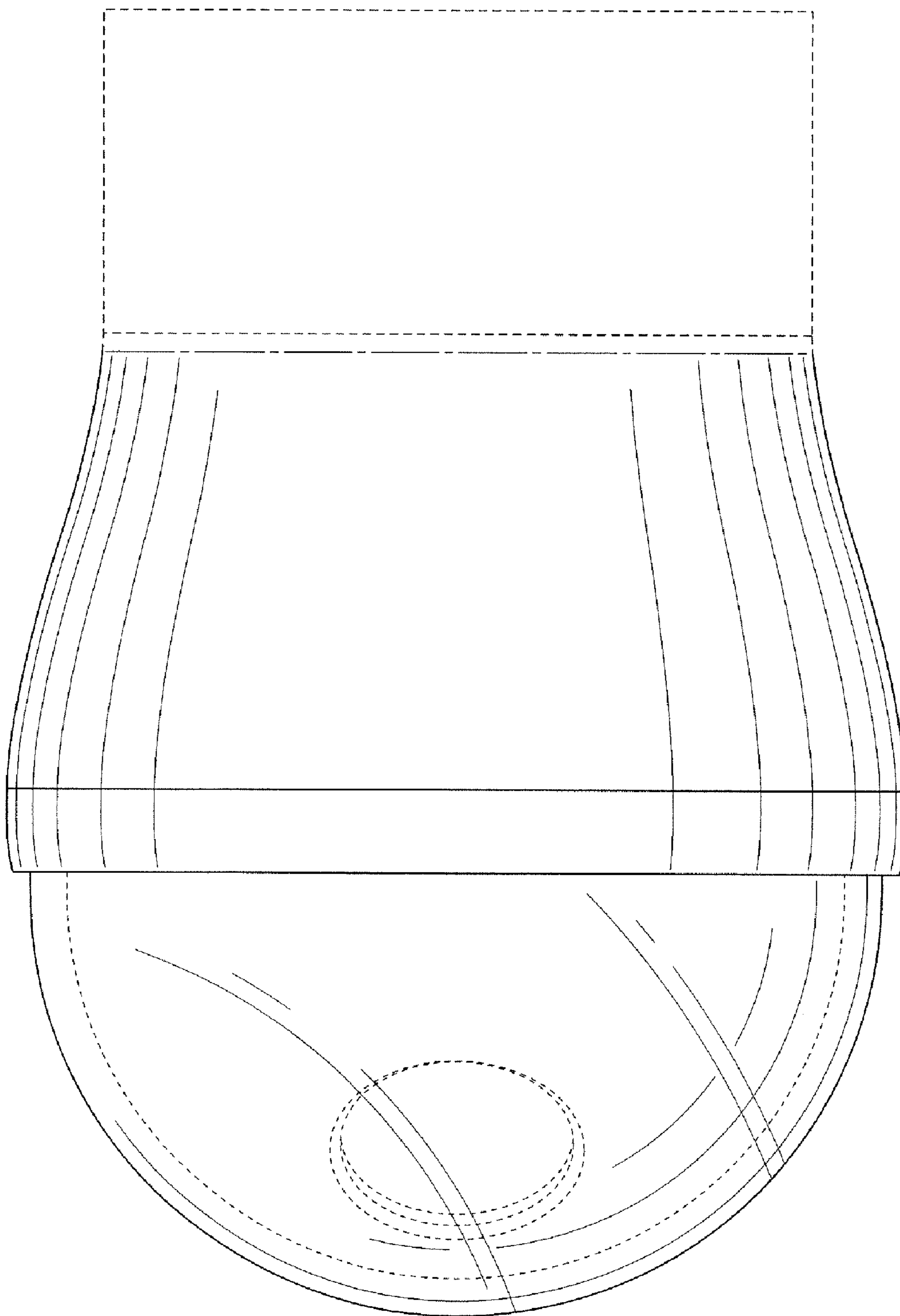


FIG. 7

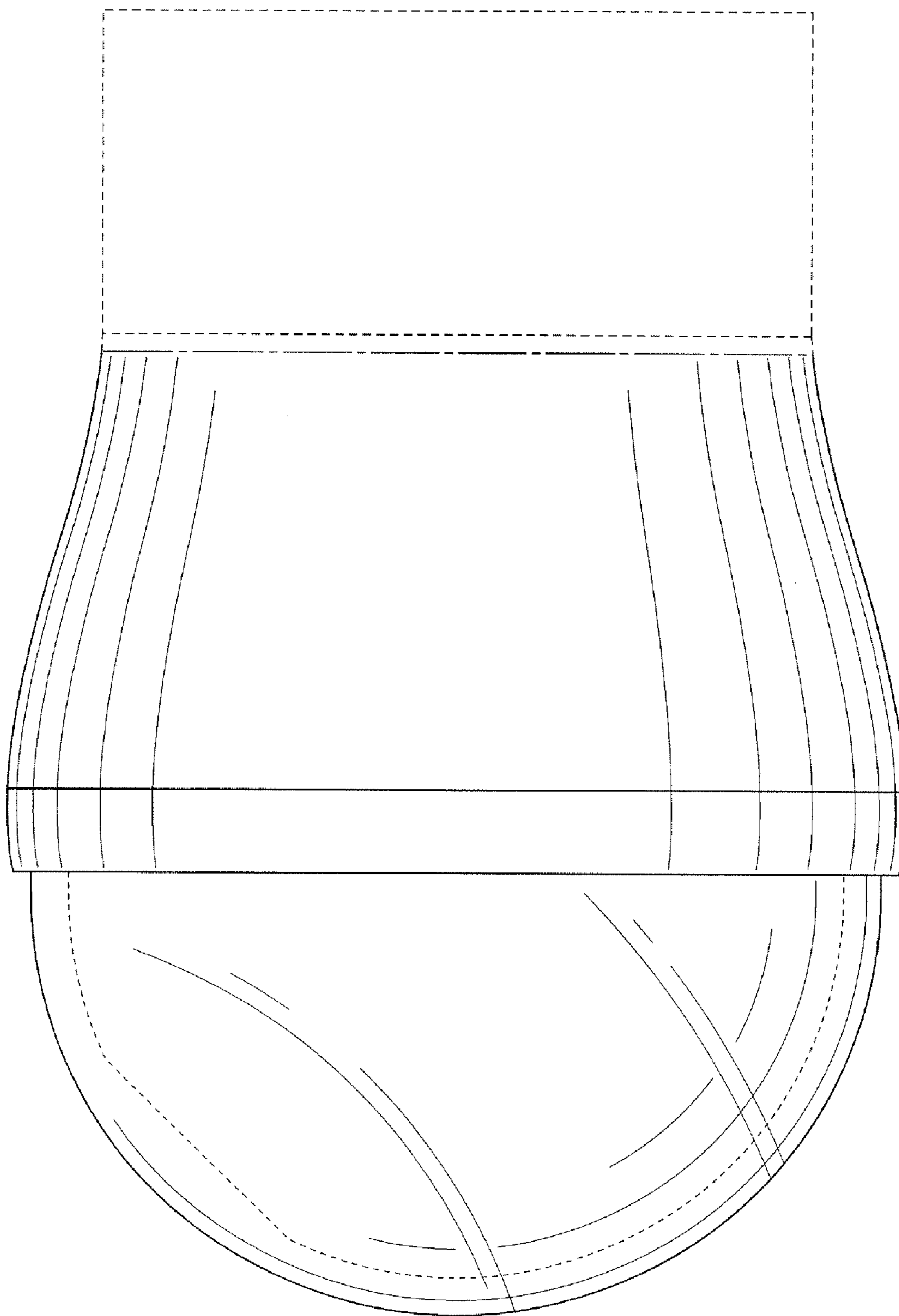


FIG. 8

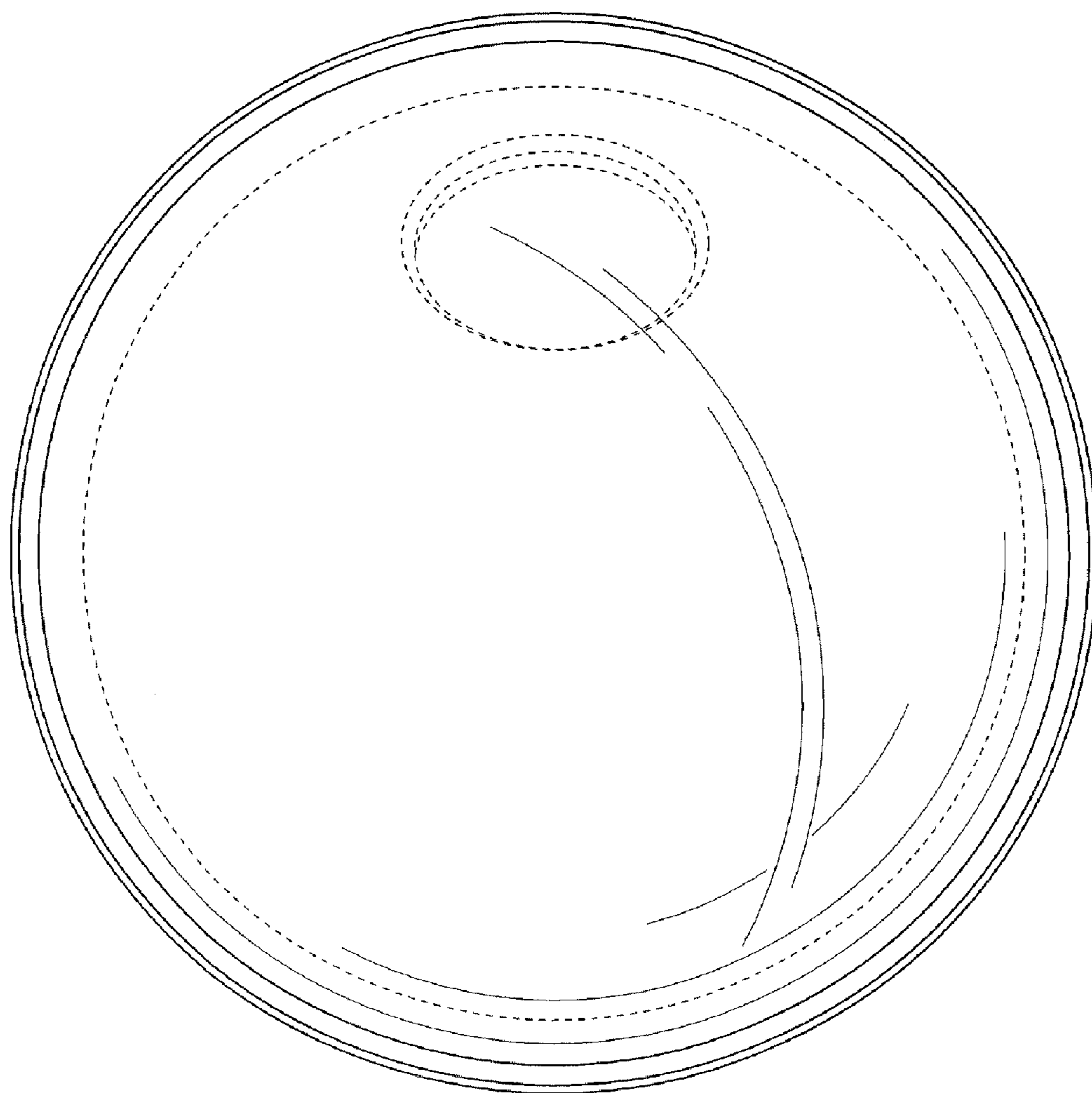


FIG. 9

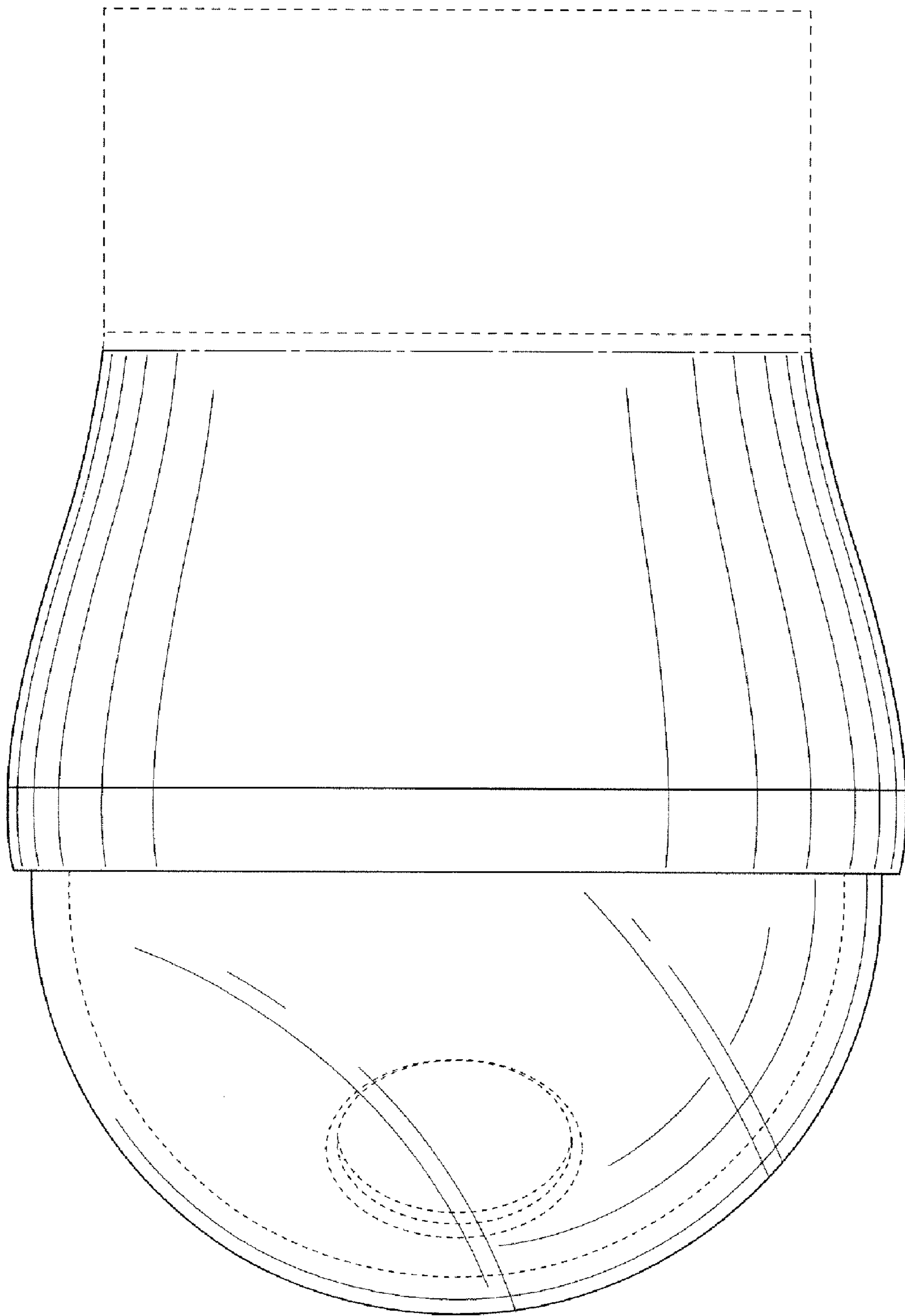


FIG. 10