



US00D561803S

(12) **United States Design Patent**  
**Morita et al.**

(10) **Patent No.:** **US D561,803 S**

(45) **Date of Patent:** **\*\* Feb. 12, 2008**

(54) **VIDEO CAMERA WITH RECORDER AND PLAYER**

(75) Inventors: **Shinichi Morita**, Kokubunji (JP);  
**Atsushi Ishibashi**, Tokorozawa (JP);  
**Minoru Ikeda**, Inagi (JP); **Akihiro Gotou**, Hitachinaka (JP)

(73) Assignee: **Hitachi, Ltd.**, Tokyo (JP)

(\*\*) Term: **14 Years**

(21) Appl. No.: **29/277,583**

(22) Filed: **Mar. 2, 2007**

(51) **LOC (8) Cl.** ..... **16-01**

(52) **U.S. Cl.** ..... **D16/202**

(58) **Field of Classification Search** ..... D16/200–206,  
D16/208, 218; 348/373–376; 358/906;  
396/535–541; D14/135, 156, 167–168  
See application file for complete search history.

(56) **References Cited**

**U.S. PATENT DOCUMENTS**

D446,799 S *	8/2001	Ohki et al.	.....	D16/202
D491,967 S *	6/2004	Kojima et al.	.....	D16/202
D500,512 S *	1/2005	Hayashi	.....	D16/208
D505,438 S *	5/2005	Kojima et al.	.....	D16/202
D515,123 S *	2/2006	Kojima et al.	.....	D16/202
D516,597 S *	3/2006	Tsuchiya	.....	D16/202
D517,107 S *	3/2006	Kojima et al.	.....	D16/202
D534,936 S *	1/2007	Sadatsuki	.....	D16/202
D546,856 S *	7/2007	Masano et al.	.....	D16/202
D549,260 S *	8/2007	Kojima et al.	.....	D16/202

2005/0140823 A1\* 6/2005 Ishikuro ..... 348/375  
2007/0126925 A1\* 6/2007 Masuda et al. .... 348/375

\* cited by examiner

*Primary Examiner*—Adir Aronovich

*Assistant Examiner*—Wan Laymon

(74) *Attorney, Agent, or Firm*—Antonelli, Terry, Stout & Kraus, LLP.

(57) **CLAIM**

The ornamental design for a video camera with recorder and player, as shown and described.

**DESCRIPTION**

FIG. 1 is a front, top and right side perspective view of a video camera with recorder and player showing our new design;

FIG. 2 is a front elevational view thereof;

FIG. 3 is a rear elevational view thereof;

FIG. 4 is a right side elevational view thereof;

FIG. 5 is a left side elevational view thereof;

FIG. 6 is a top plan view thereof;

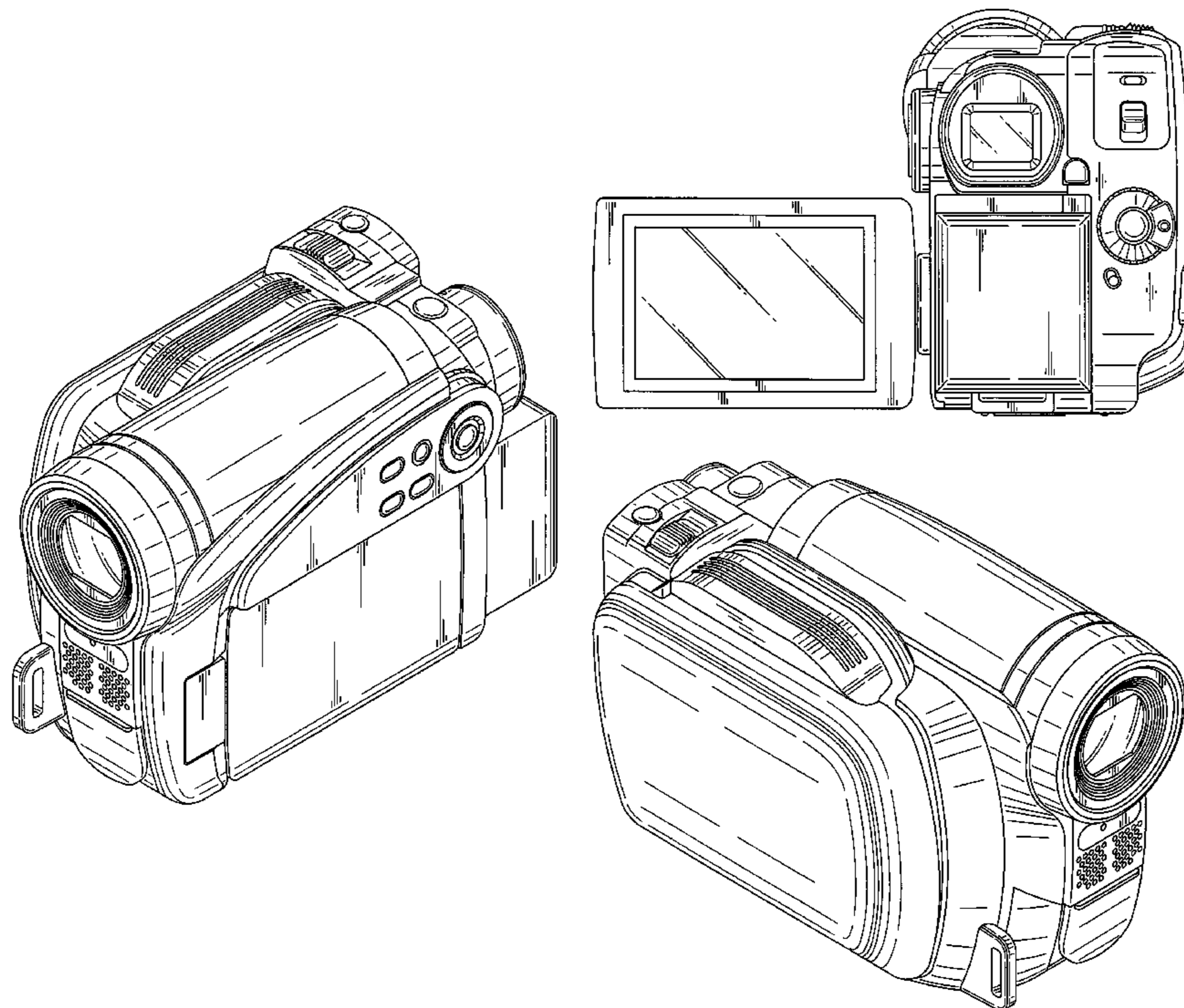
FIG. 7 is a bottom plan view thereof;

FIG. 8 is a rear elevational view thereof, with the liquid crystal monitor being opened;

FIG. 9 is a right side elevational view thereof, with the liquid crystal monitor being opened; and,

FIG. 10 is a front, top and left side perspective view thereof, with the disc cover being opened.

**1 Claim, 7 Drawing Sheets**



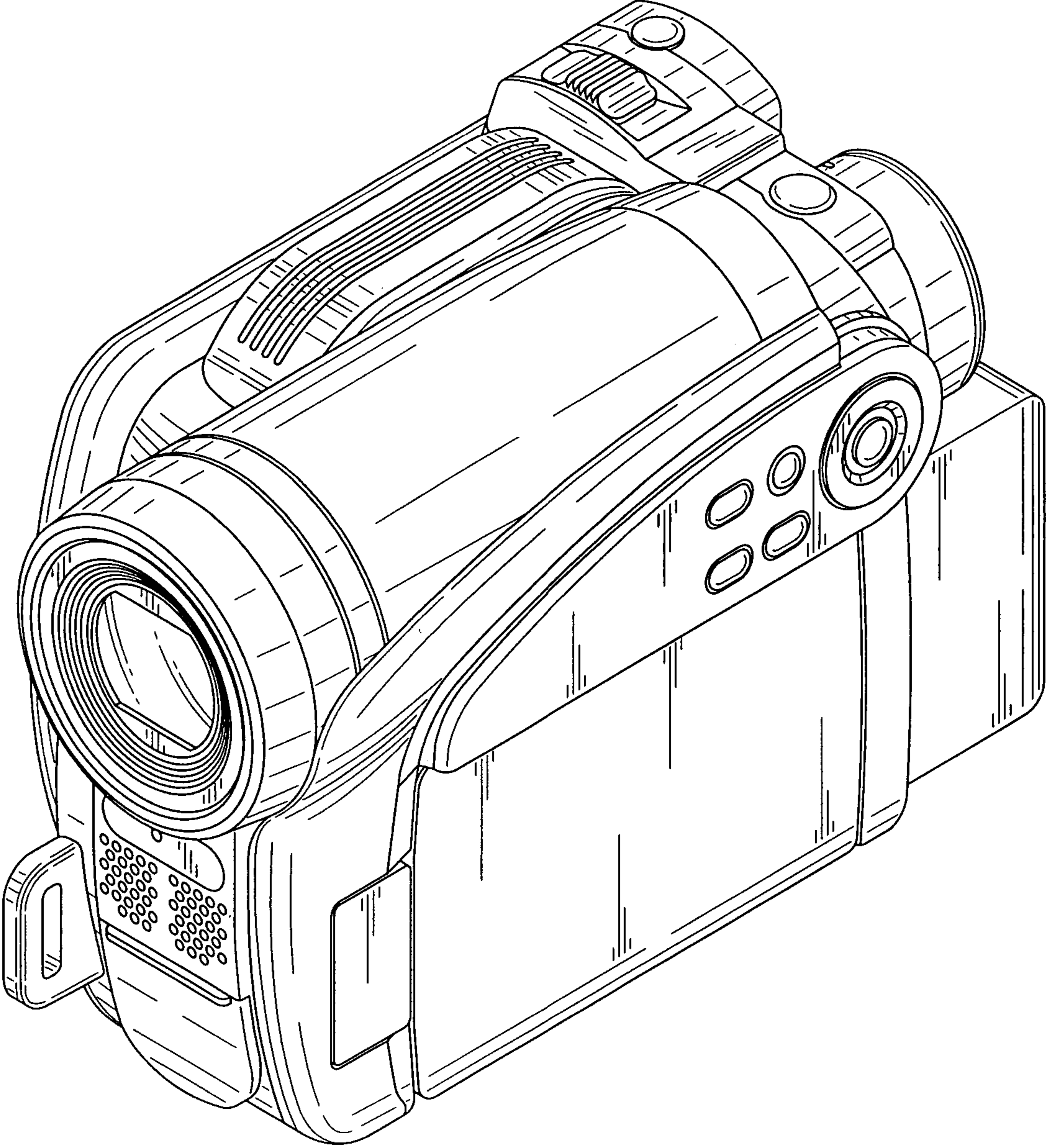
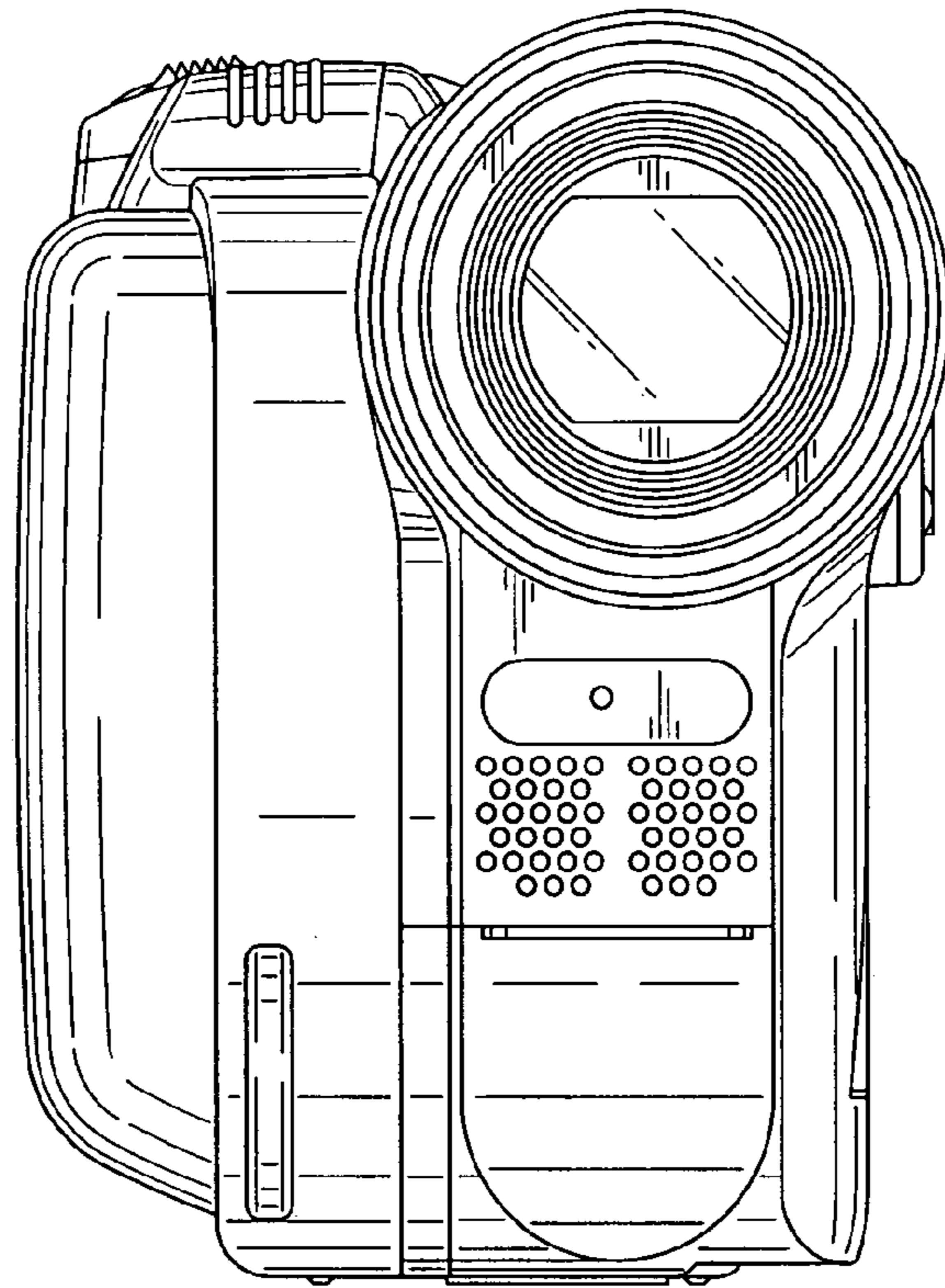
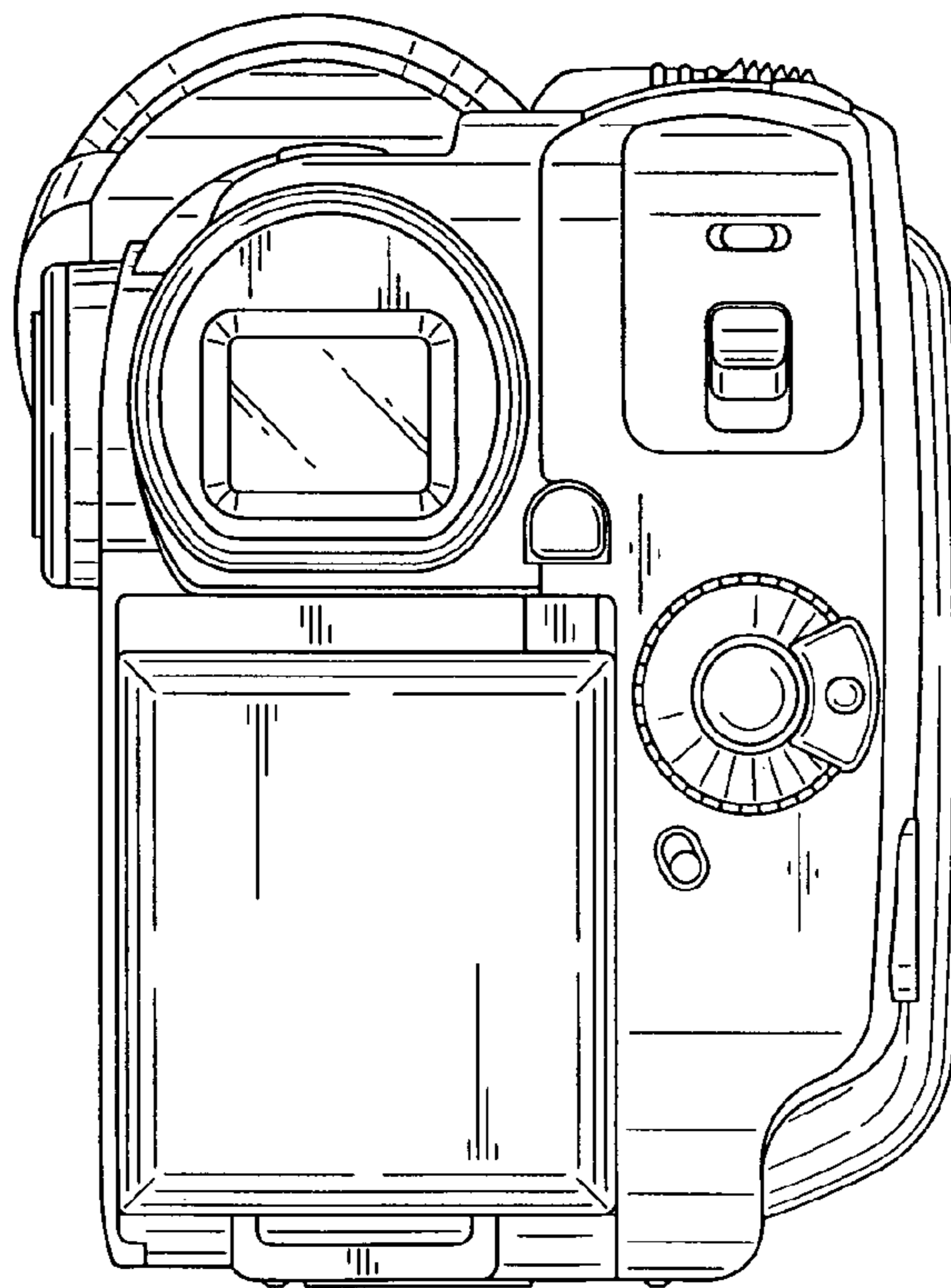


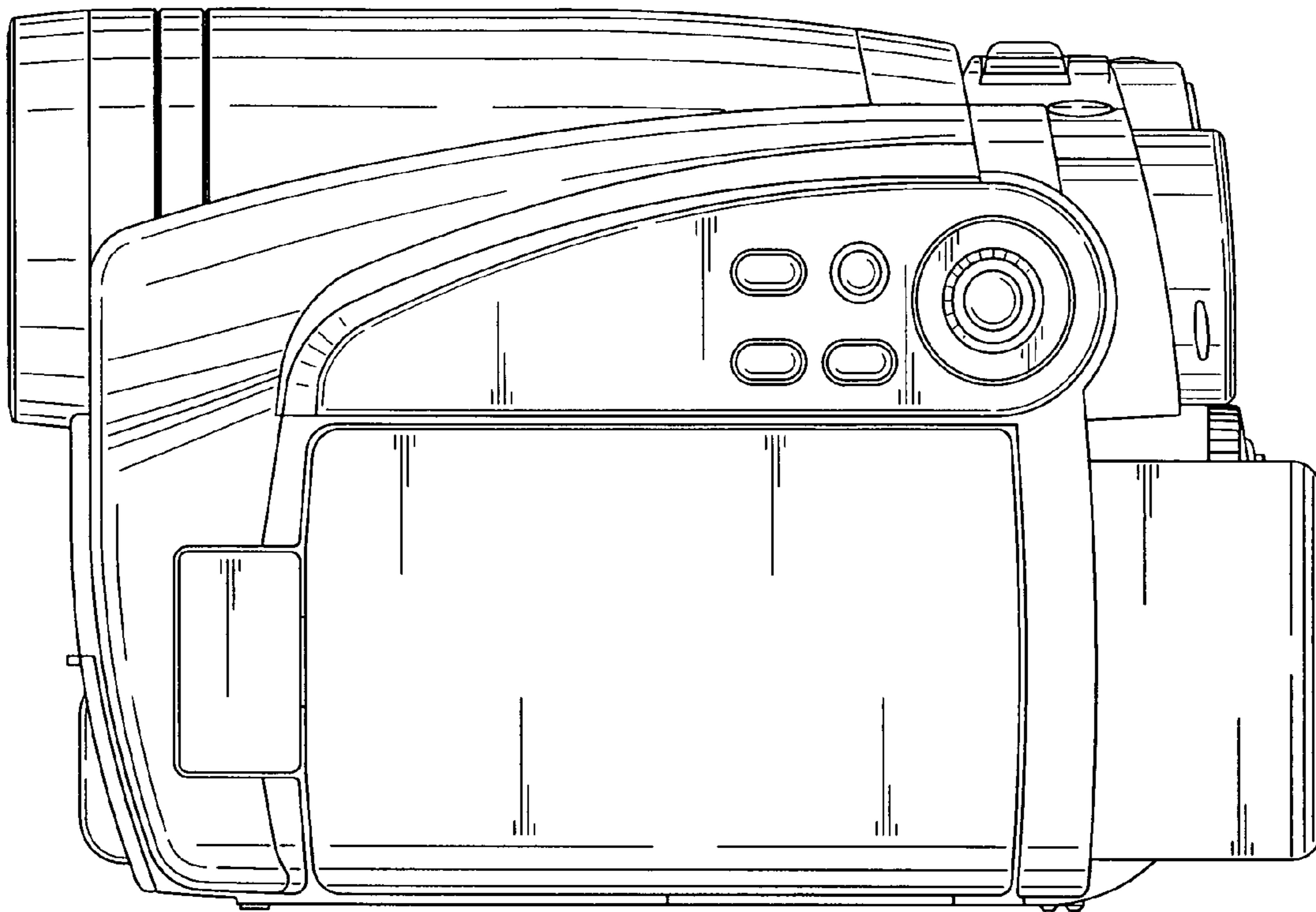
FIG. 1



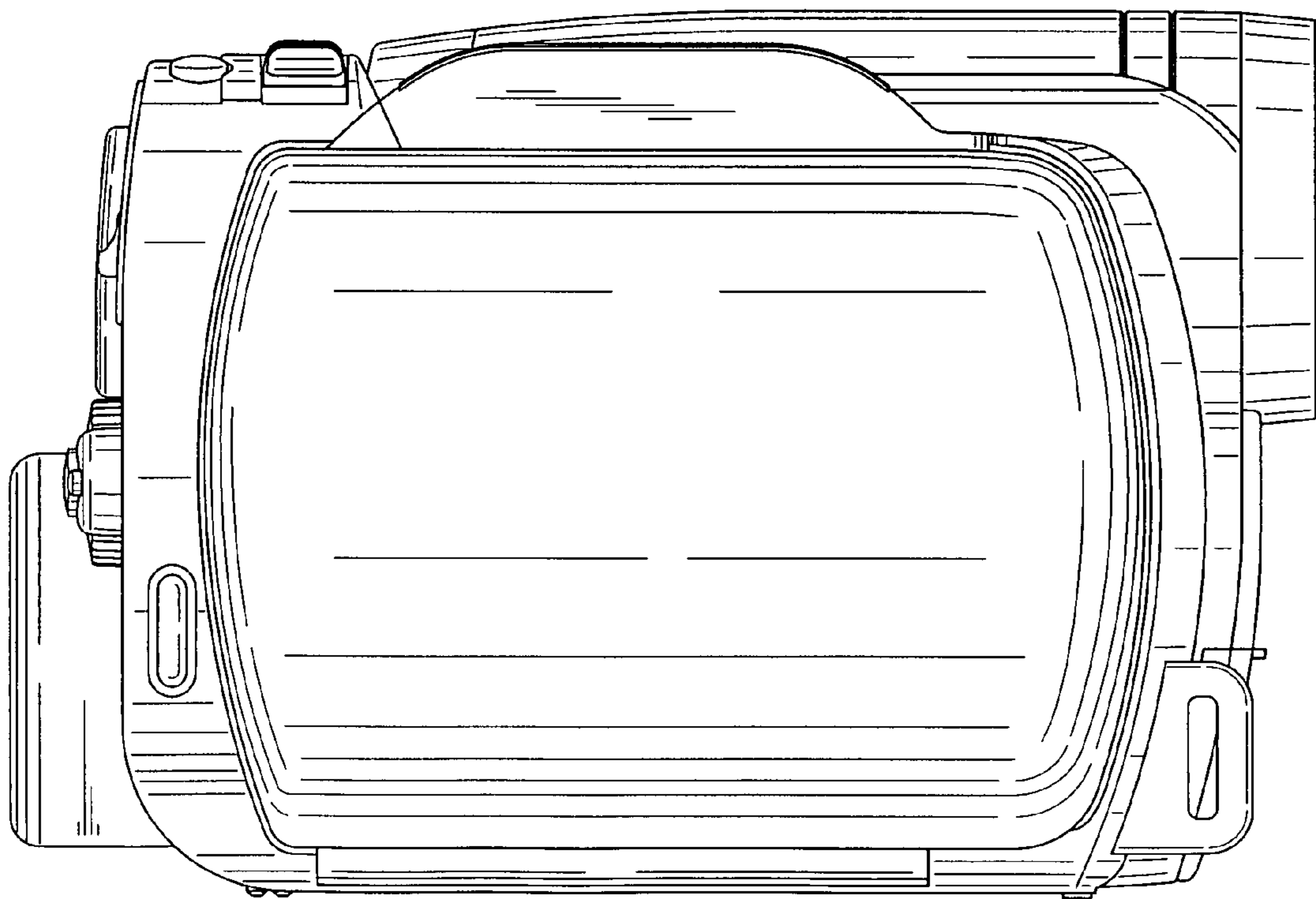
*FIG. 2*



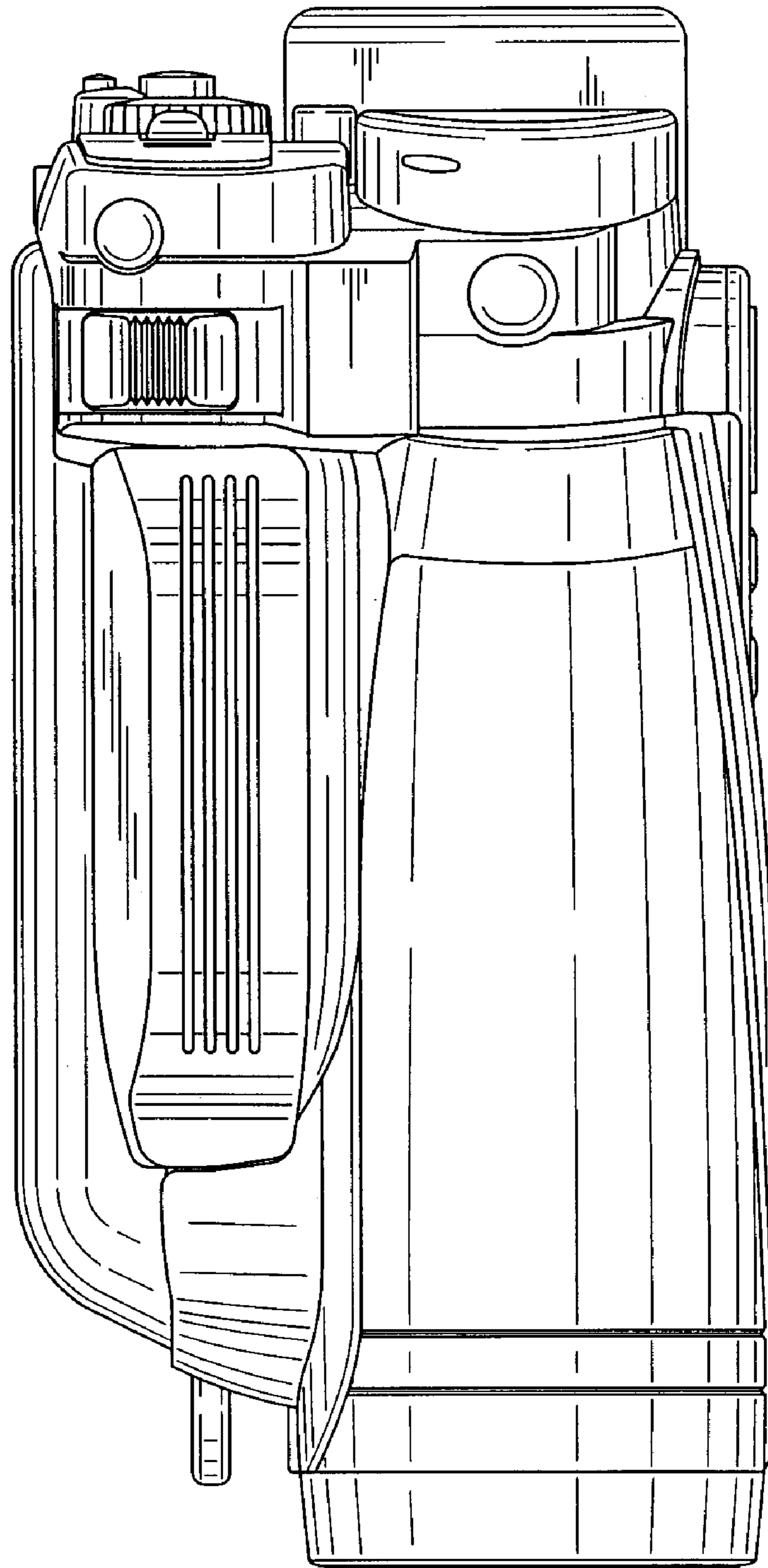
*FIG. 3*



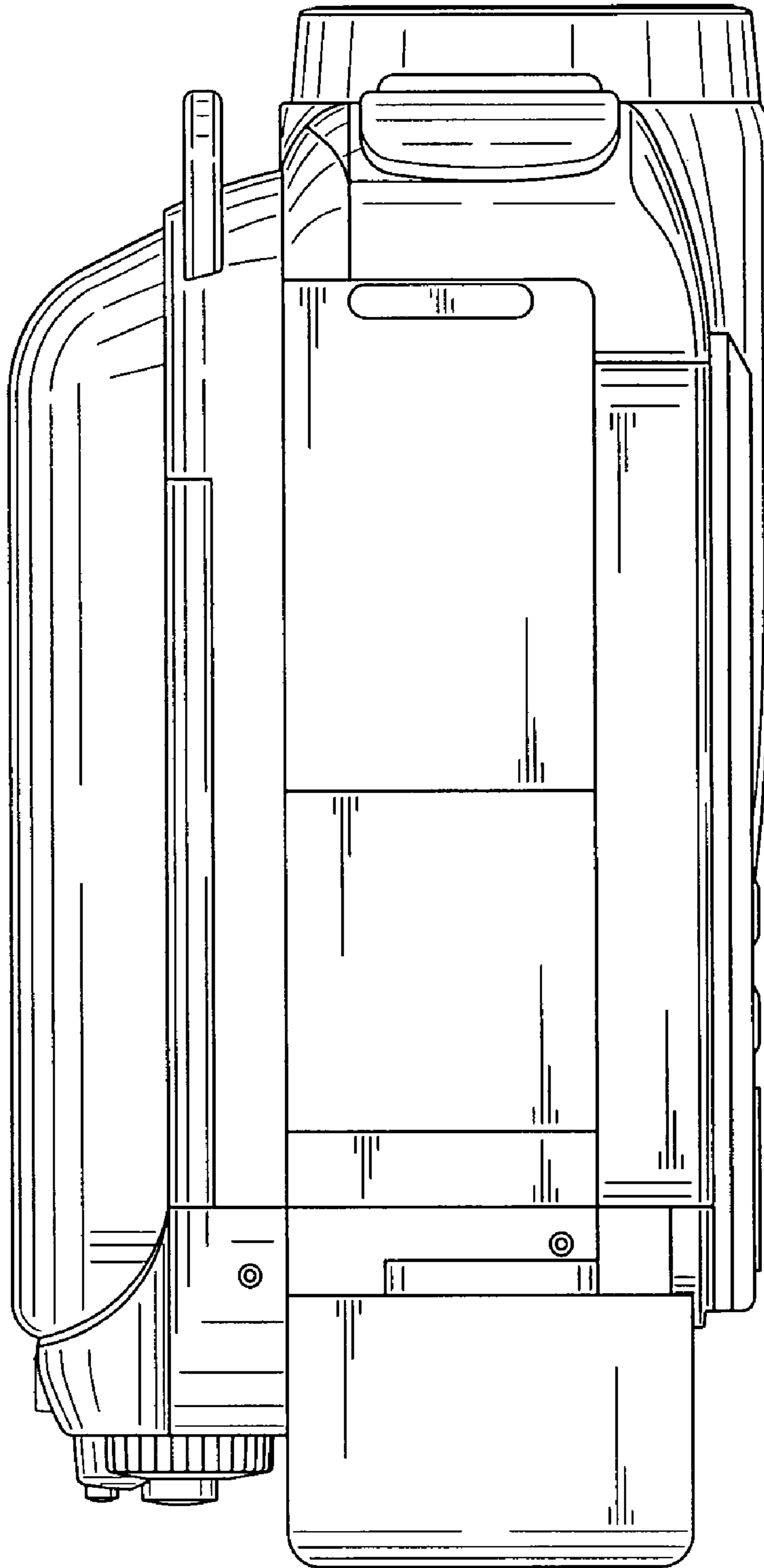
*FIG. 4*



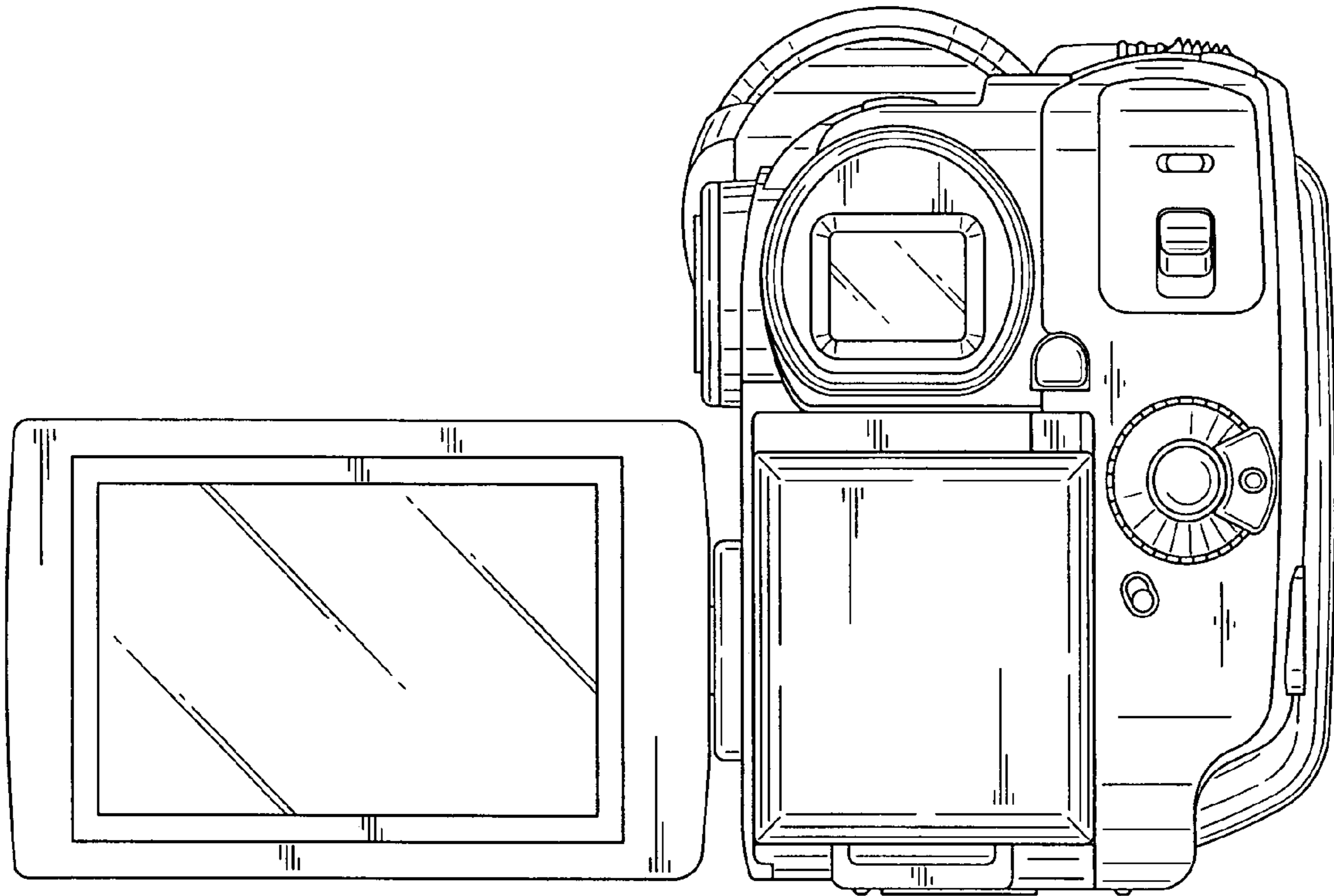
*FIG. 5*



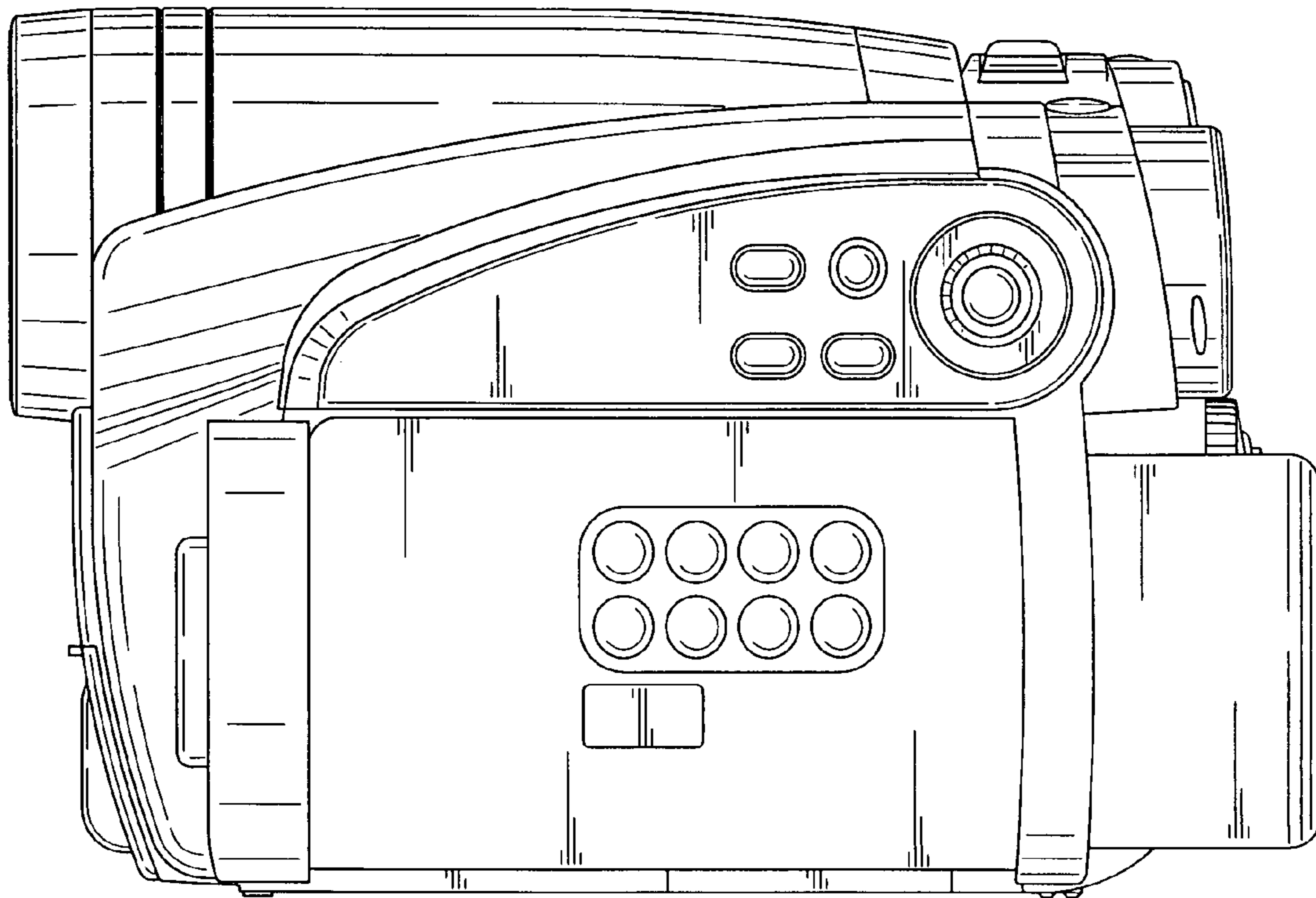
*FIG. 6*



*FIG. 7*



*FIG. 8*



*FIG. 9*

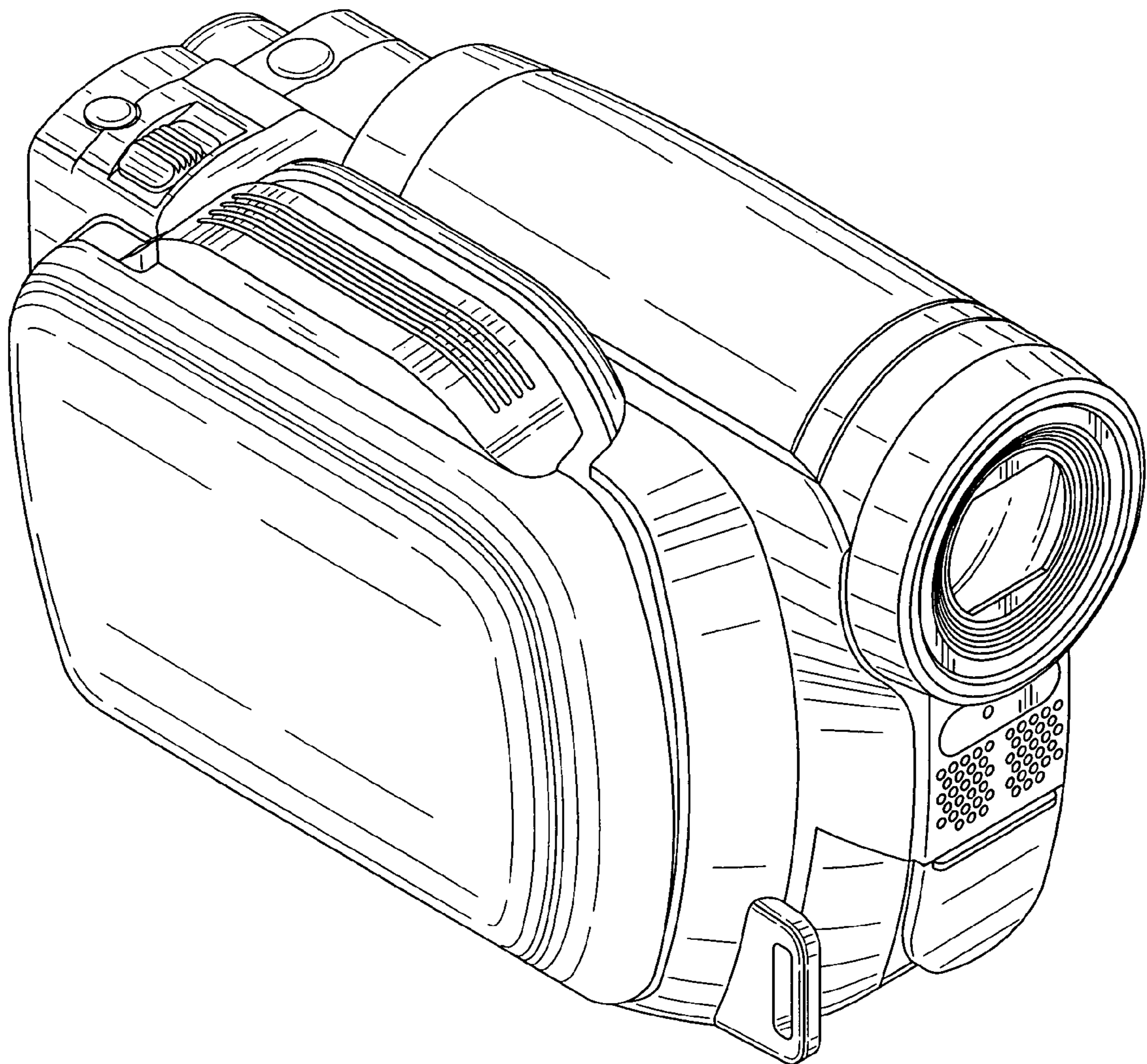


FIG. 10