

US00D561799S

(12) **United States Design Patent**
Bai

(10) **Patent No.:** **US D561,799 S**

(45) **Date of Patent:** **** Feb. 12, 2008**

(54) **CAMERA**

(75) Inventor: **Sung-Kyun Bai**, Yongin-si (KR)

(73) Assignee: **Samsung Electronics Co., Ltd.**,
Suwon-Si (KR)

(**) Term: **14 Years**

(21) Appl. No.: **29/252,616**

(22) Filed: **Jan. 26, 2006**

(30) **Foreign Application Priority Data**

Aug. 31, 2005 (KR) 30-2005-0029399

(51) **LOC (8) Cl.** **16-01**

(52) **U.S. Cl.** **D16/202; D16/218**

(58) **Field of Classification Search** D16/200-206,
D16/208-209, 216-218; 348/373-376; 358/906,
358/909.1; 396/535-541

See application file for complete search history.

(56) **References Cited**

U.S. PATENT DOCUMENTS

D270,840 S *	10/1983	Soda	D16/209
D271,207 S *	11/1983	Soda	D16/218
D296,214 S *	6/1988	Suyama et al.	D16/204
D319,453 S *	8/1991	Isozaki	D16/209
D320,217 S *	9/1991	Shiiba et al.	D16/209
D322,977 S *	1/1992	Yamamoto	D16/209

D431,583 S *	10/2000	Matsuda	D16/202
D438,224 S *	2/2001	Yanagibashi et al.	D16/202
D502,195 S *	2/2005	Shimobayashi	D16/202
D507,586 S *	7/2005	Nakamura	D16/202
7,106,963 B2 *	9/2006	Shibata	396/535

* cited by examiner

Primary Examiner—Ian Simmons

Assistant Examiner—Wan Laymon

(74) *Attorney, Agent, or Firm*—Staas & Halsey LLP

(57) **CLAIM**

The ornamental design for a camera, as shown and described.

DESCRIPTION

FIG. 1 is a front and top perspective view of a camera showing my design;

FIG. 2 is a front view thereof;

FIG. 3 is a rear view thereof;

FIG. 4 is a left side view thereof;

FIG. 5 is a right side view thereof;

FIG. 6 is a top plan view thereof; and,

FIG. 7 is a bottom plan view thereof.

The broken lines in FIG. 7 are for illustrative purposes only and form no part of the claimed design.

1 Claim, 7 Drawing Sheets

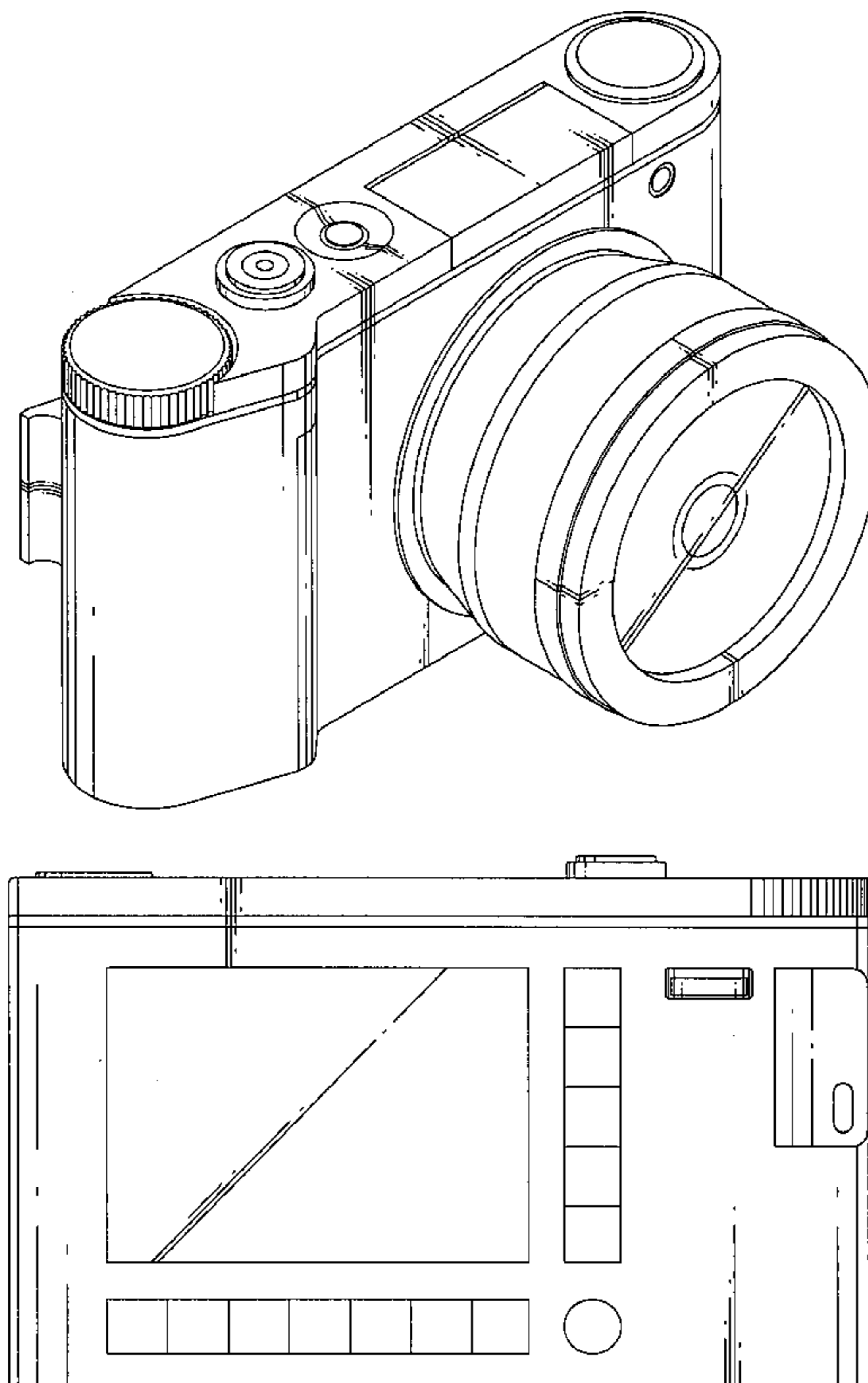


FIG. 1

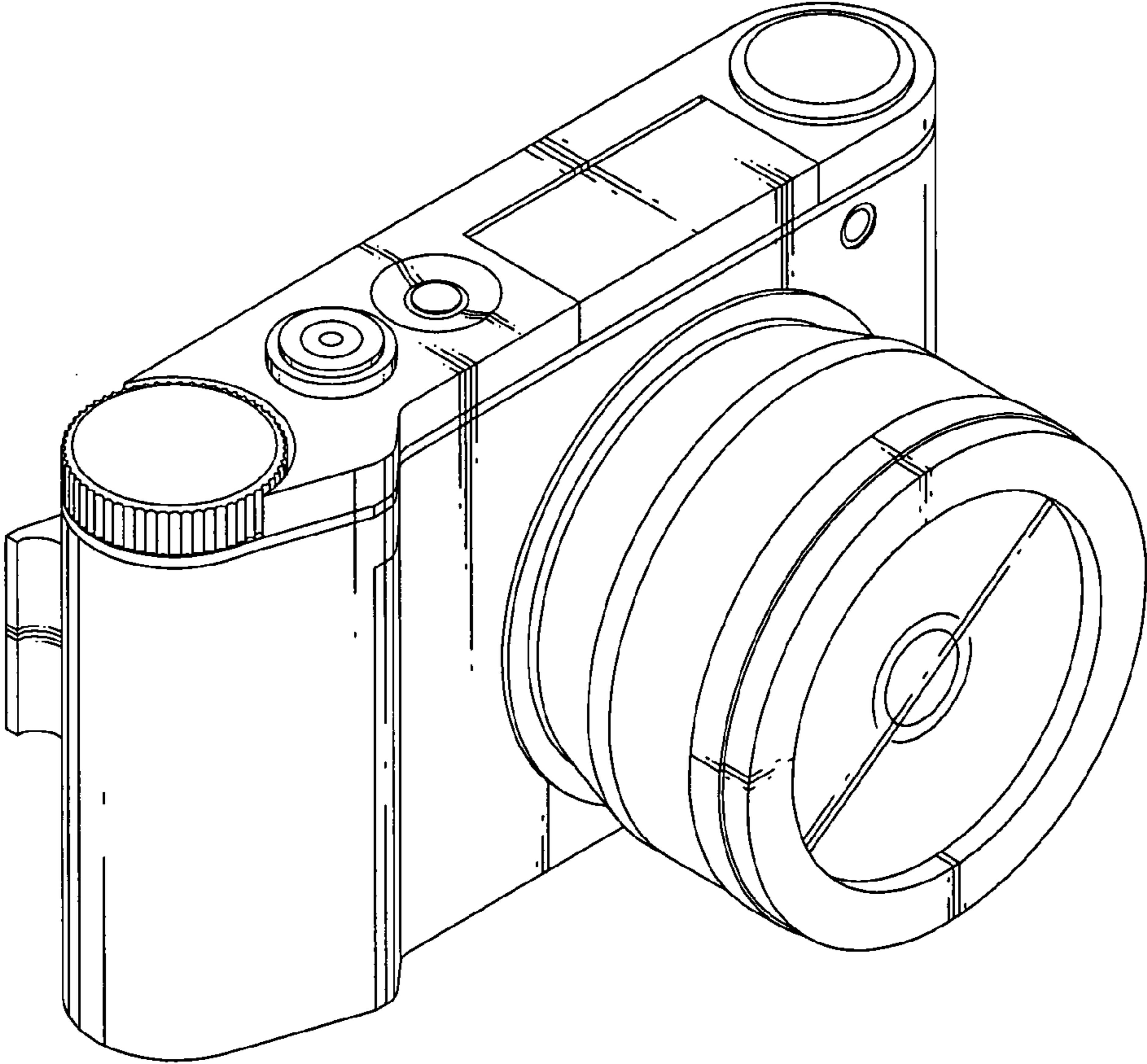


FIG. 2

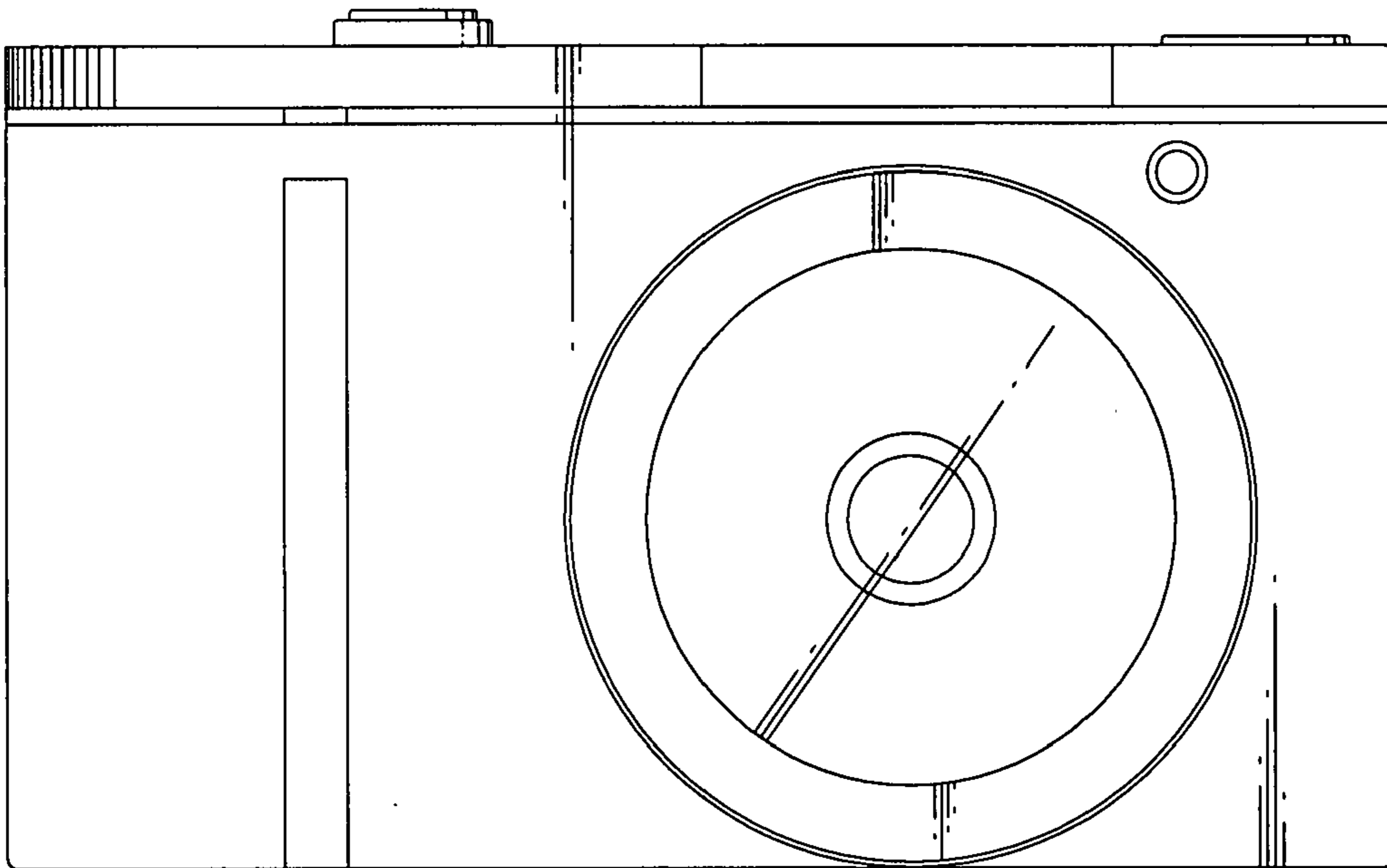


FIG. 3

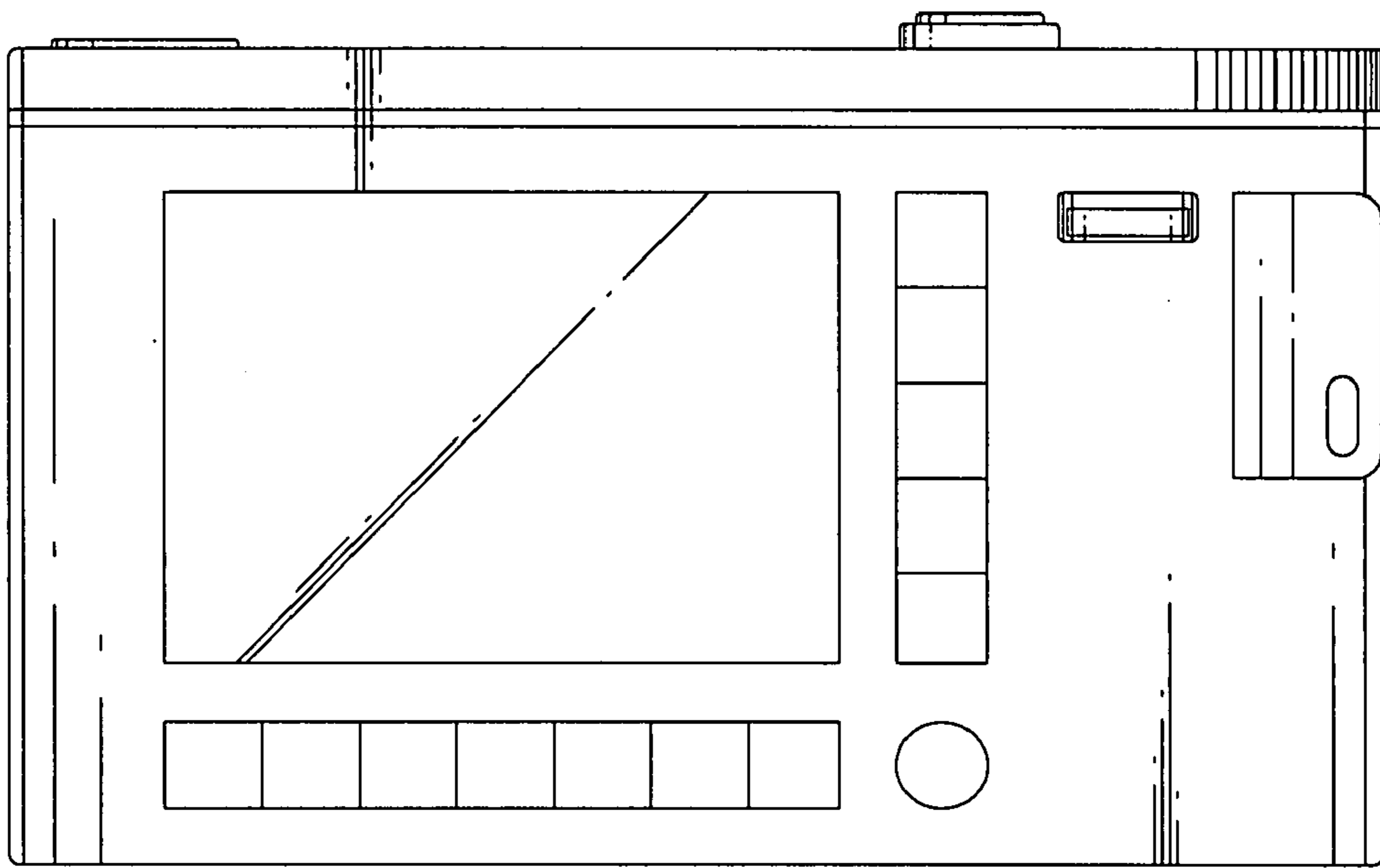


FIG. 4

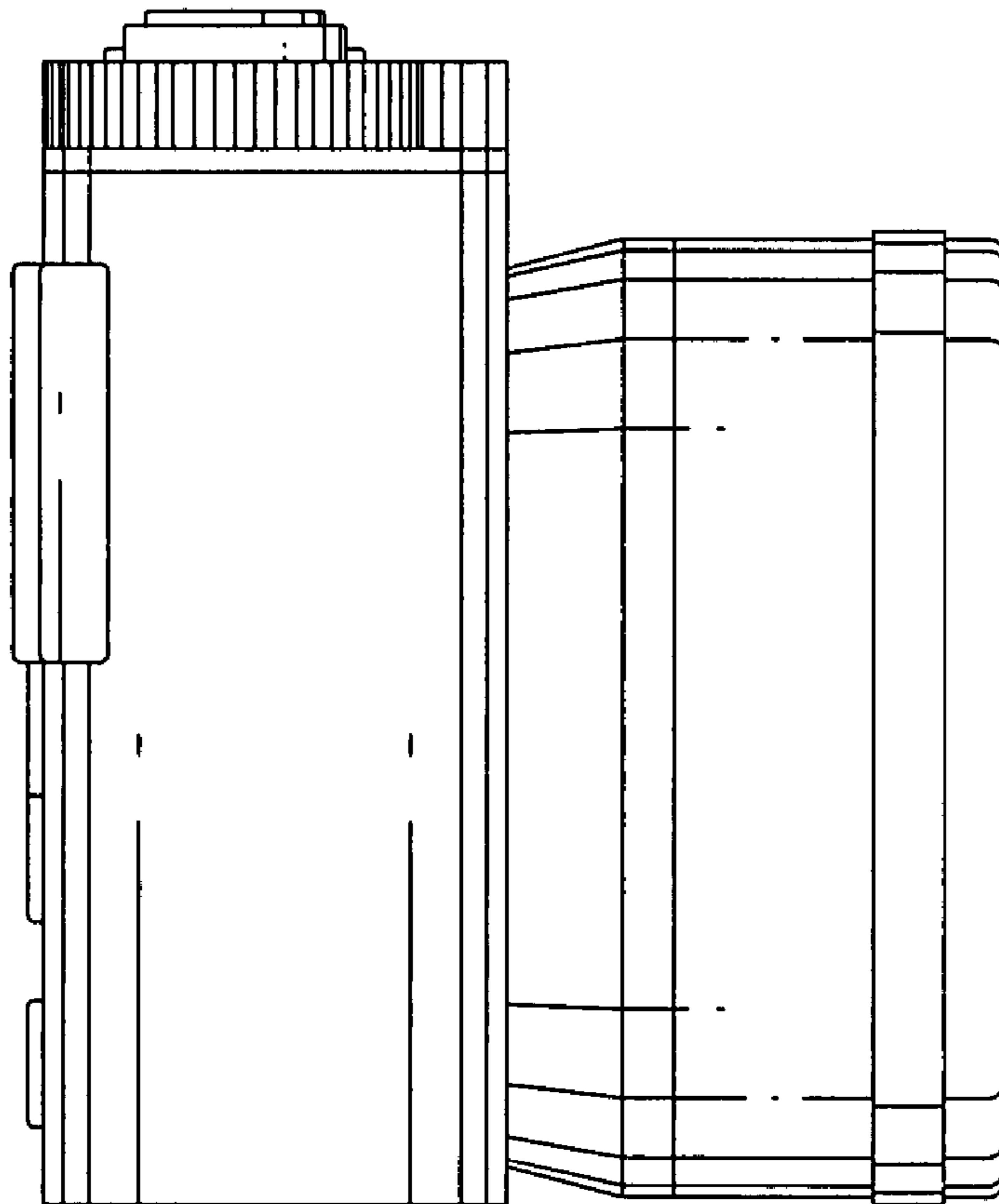


FIG. 5

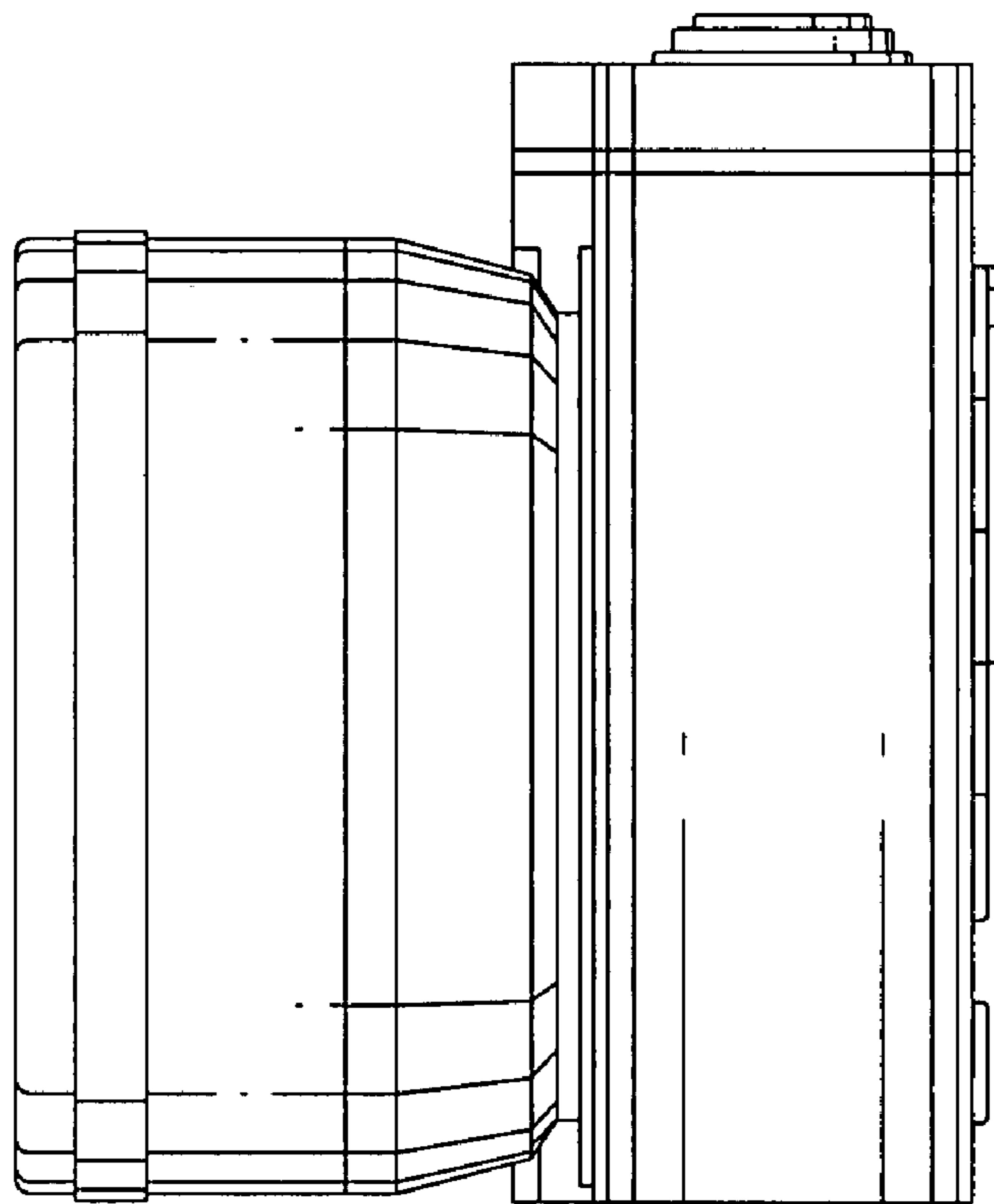


FIG. 6

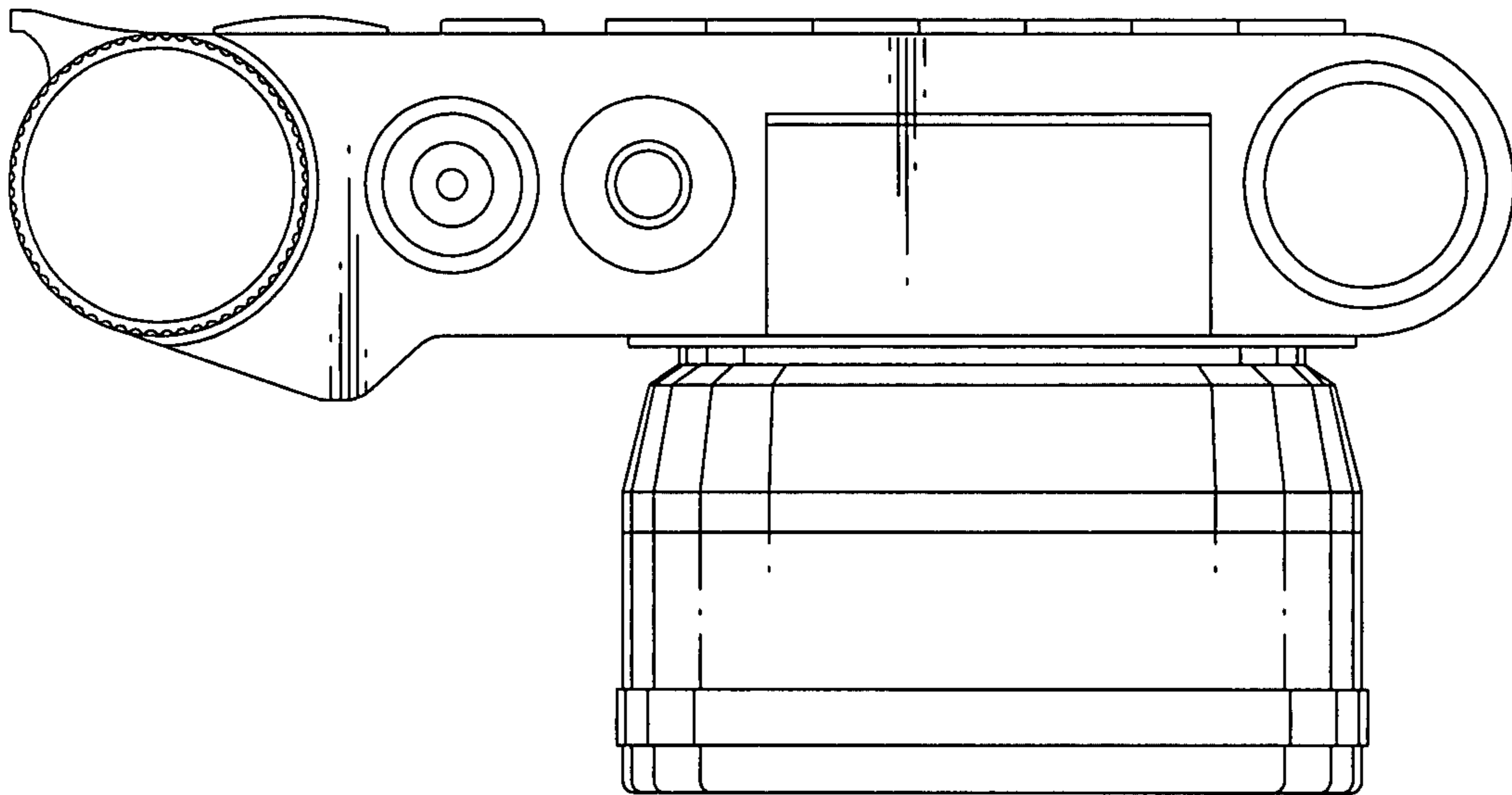


FIG. 7

