

US00D561793S

(12) **United States Design Patent**
Kanemitsu

(10) **Patent No.:** **US D561,793 S**
(45) **Date of Patent:** **** Feb. 12, 2008**

(54) **POWER TRANSMISSION PULLEY**

(57) **CLAIM**

- (75) Inventor: **Toshiaki Kanemitsu**, Hyogo (JP)
- (73) Assignee: **Kabushiki Kaisha Kanemitsu**, Hyogo (JP)
- (**) Term: **14 Years**
- (21) Appl. No.: **29/256,540**
- (22) Filed: **Mar. 22, 2006**

The ornamental design for a power transmission pulley, as shown and described.

DESCRIPTION

Related U.S. Application Data

- (62) Division of application No. 29/202,467, filed on Mar. 31, 2004.
 - (51) **LOC (8) Cl.** **15-99**
 - (52) **U.S. Cl.** **D15/148**
 - (58) **Field of Classification Search** D15/5, D15/146-149; 474/8, 37, 31, 29, 39, 41, 474/47-56; D11/26, 39; D23/269; 74/230.3, 74/230.5, 230.7; D12/501, 175, 204, 207, D12/208
- See application file for complete search history.

- FIG. 1 is a front perspective view of a power transmission pulley in accordance with the present invention;
- FIG. 2 is a front elevational view thereof;
- FIG. 3 is a rear elevational view thereof;
- FIG. 4 is a left side elevational view thereof; the undisclosed right side elevational view being a mirror image;
- FIG. 5 is a top plan view thereof; the undisclosed bottom plan view being a mirror image;
- FIG. 6 is a cross-sectional view taken along line 6—6 in FIG. 2;
- FIG. 7 is a cross-sectional view taken along line 7—7 in FIG. 2;
- FIG. 8 is a front perspective view of a second embodiment of the pulley;
- FIG. 9 is a front elevational view thereof;
- FIG. 10 is a rear elevational view thereof;
- FIG. 11 is a left side elevational view thereof; the undisclosed right side elevational view being a mirror image;
- FIG. 12 is a top plan view thereof; the undisclosed bottom plan view being a mirror image;
- FIG. 13 is a cross-sectional view taken along line 13—13 in FIG. 9; and,
- FIG. 14 is a cross-sectional view taken along line 14—14 in FIG. 9.

(56) **References Cited**

U.S. PATENT DOCUMENTS

- 803,811 A * 11/1905 Outter 474/37
- 3,108,484 A * 10/1963 Rabinow 474/37
- 7,001,293 B2 * 2/2006 Lubben 474/8

OTHER PUBLICATIONS

Kanemitsu. www.kanemitsu.co.jp/e/sei_02e.html. Jun. 2002. Pulleys: bottom left on page.*

* cited by examiner

Primary Examiner—A. Aronovich

Assistant Examiner—R. Johnson

(74) *Attorney, Agent, or Firm*—Akin Gump Strauss Hauer & Feld LLP

The broken lines in the figures are for illustrative purposes only and form no part of the claimed design.

1 Claim, 8 Drawing Sheets

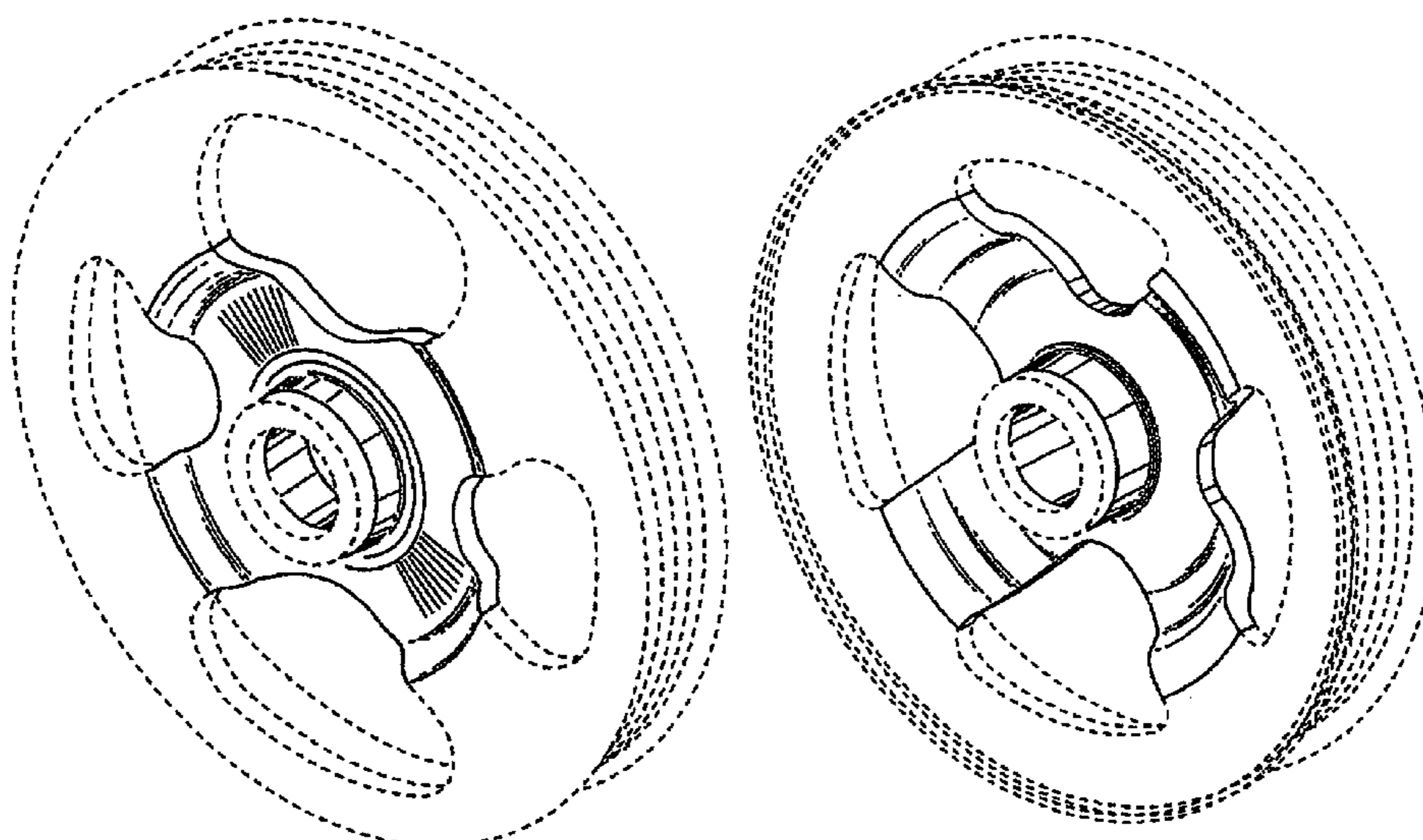


Fig.1

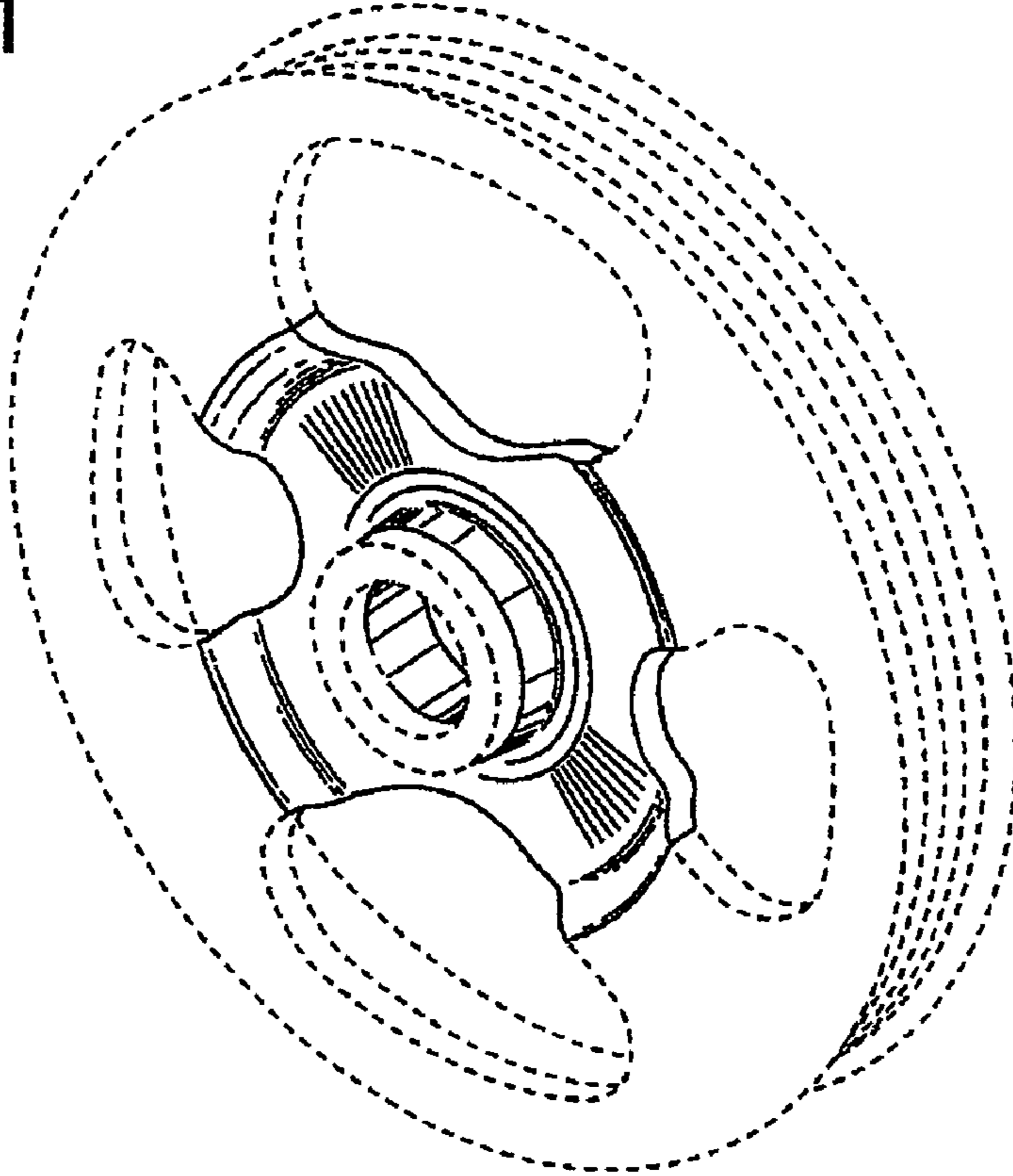


Fig.2

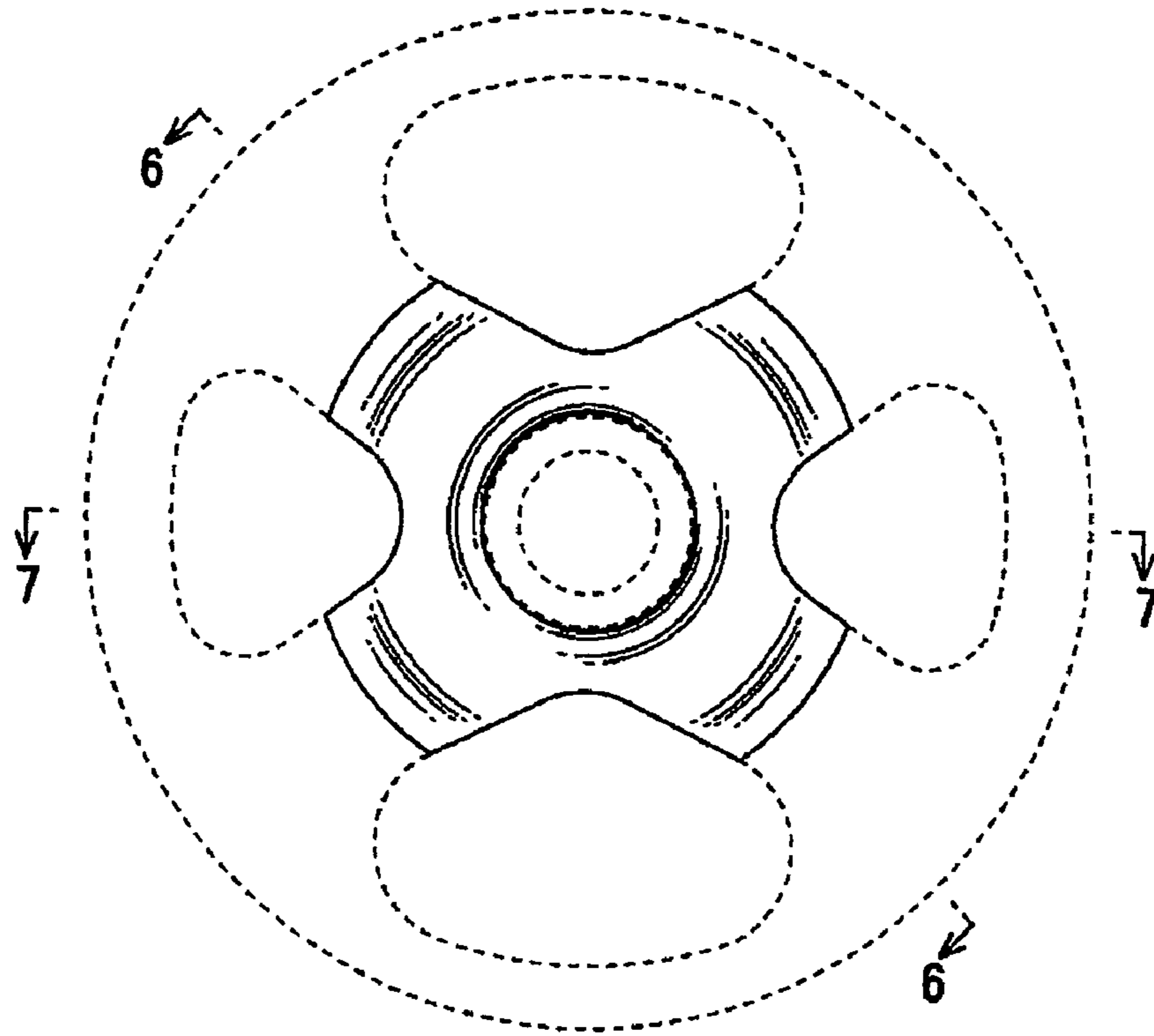


Fig.3

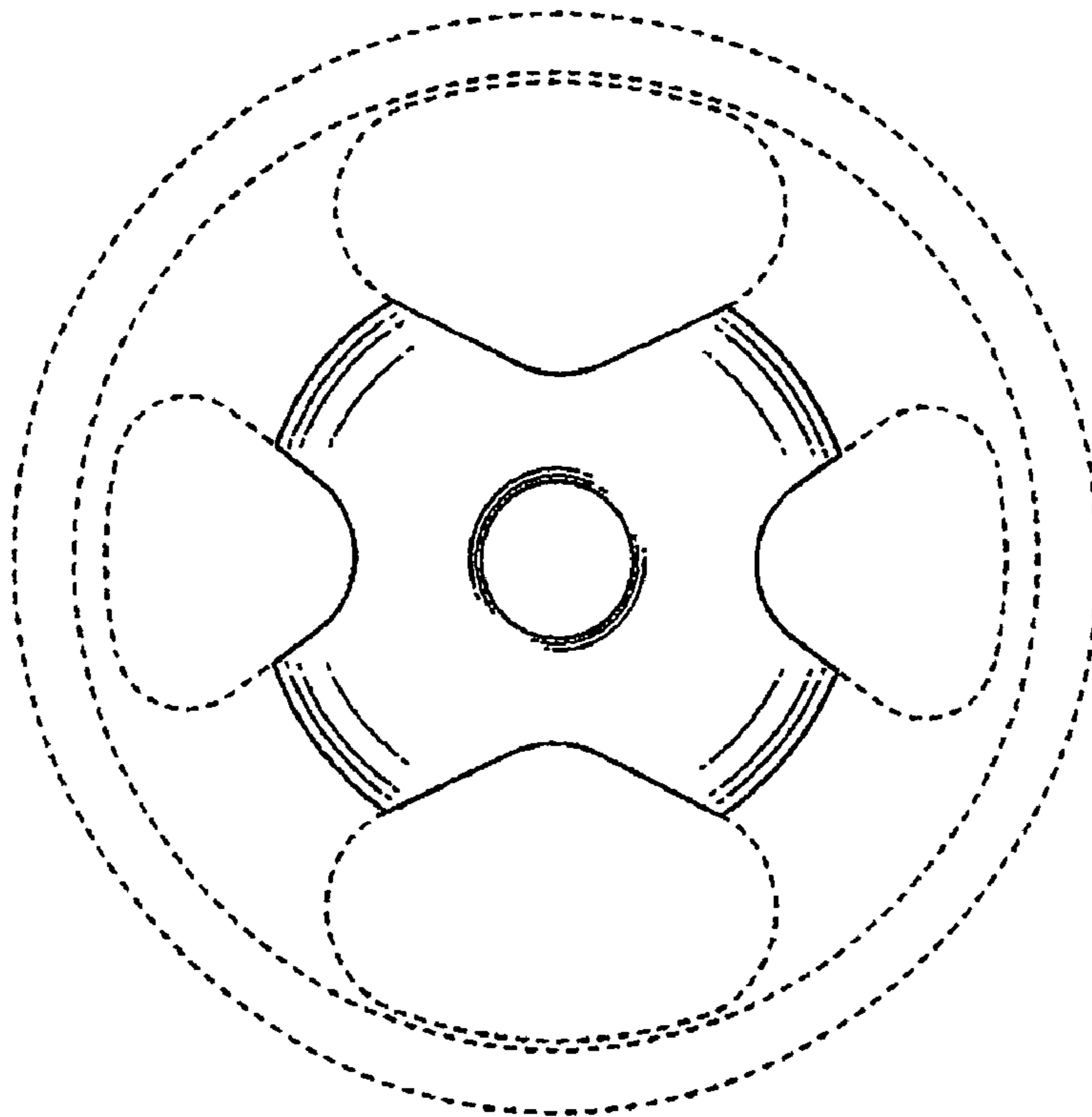


Fig.4

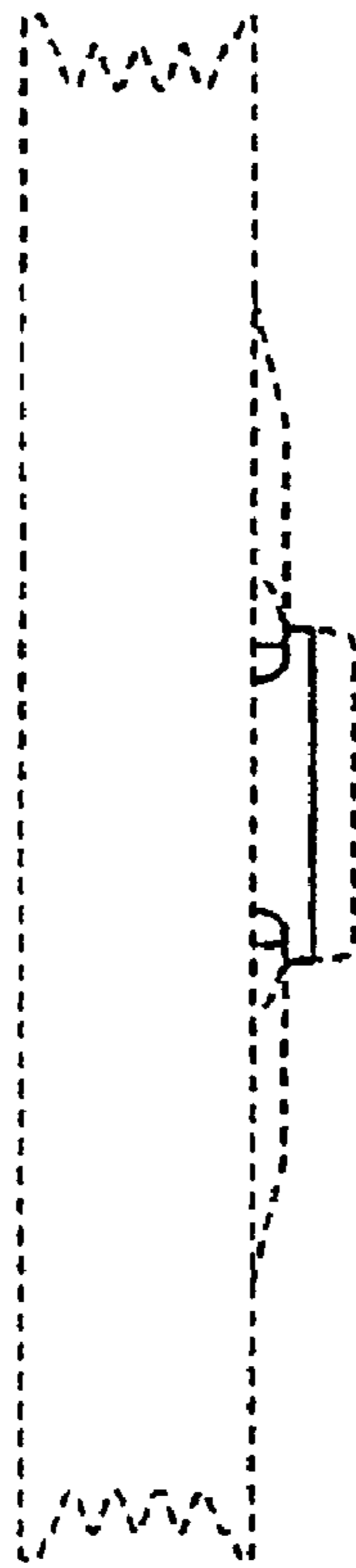


Fig.5

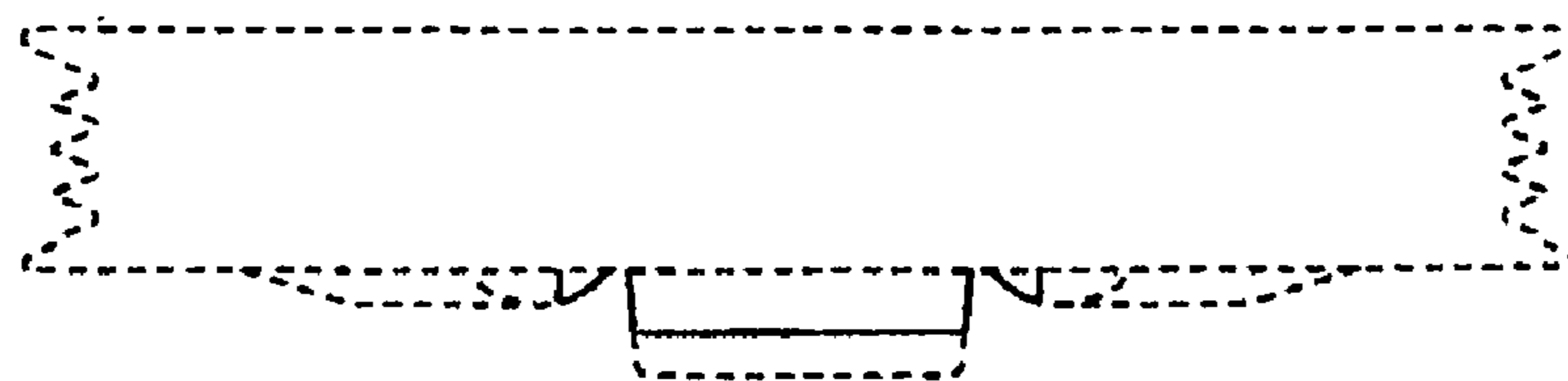


Fig. 6

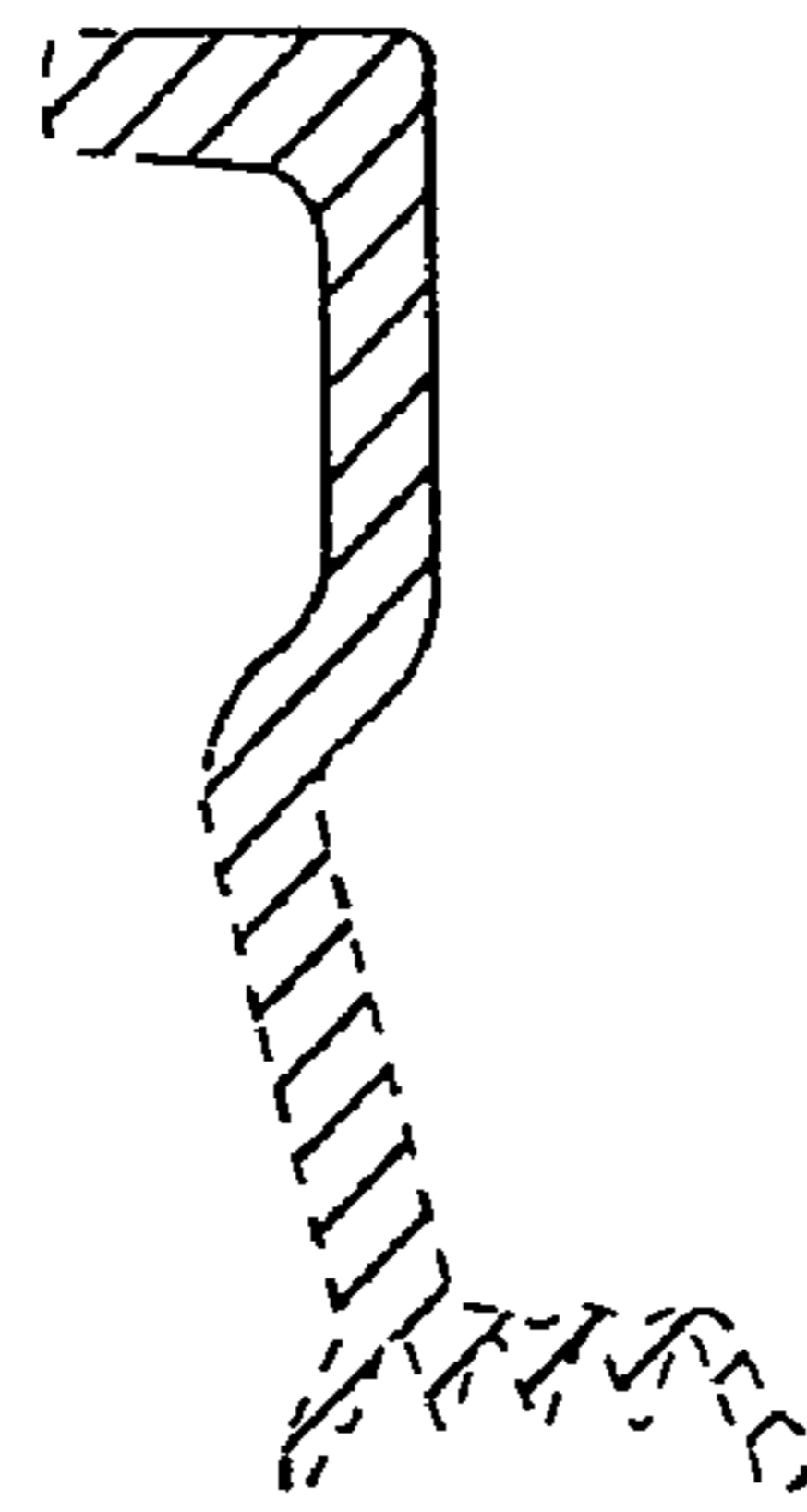
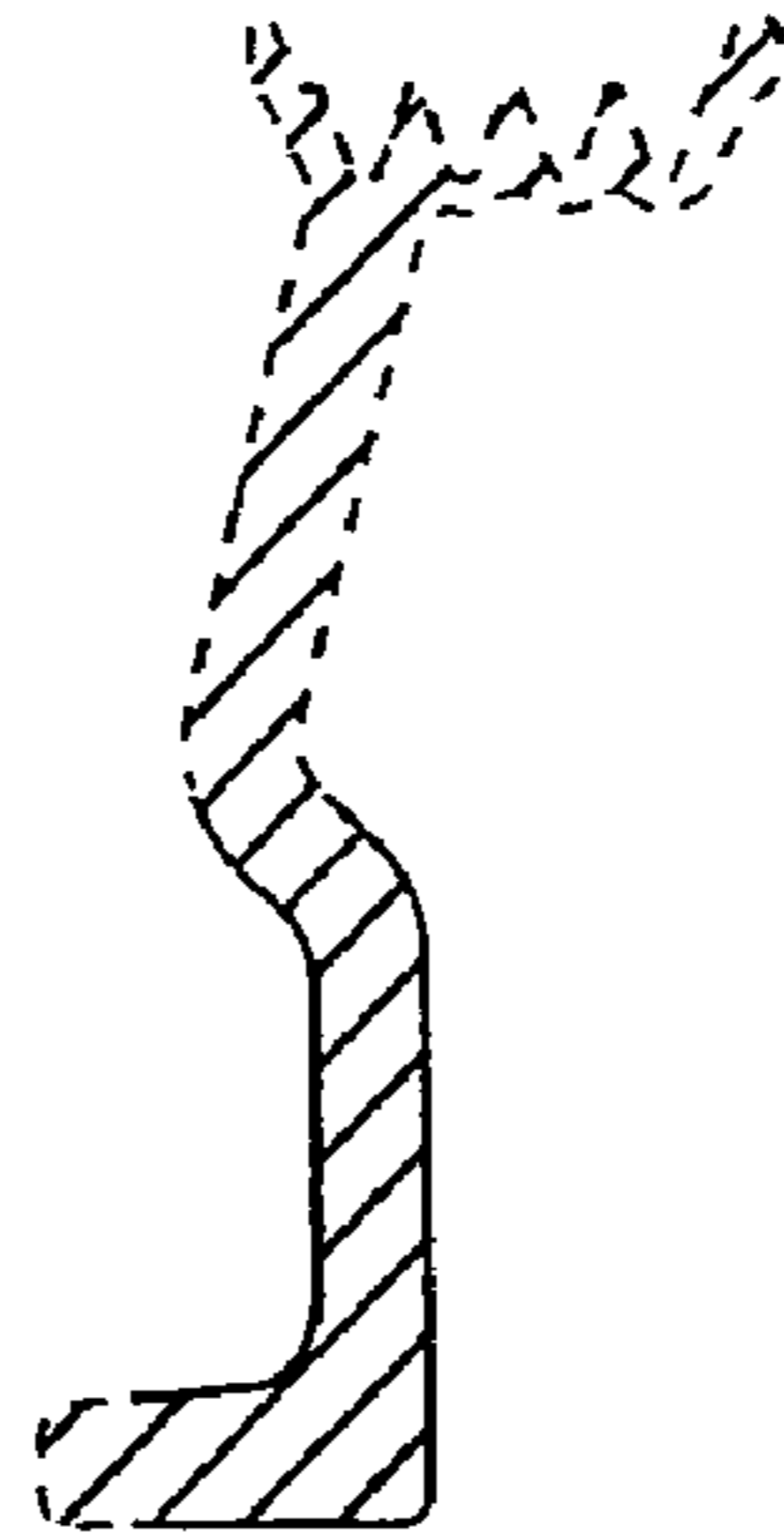


Fig. 7

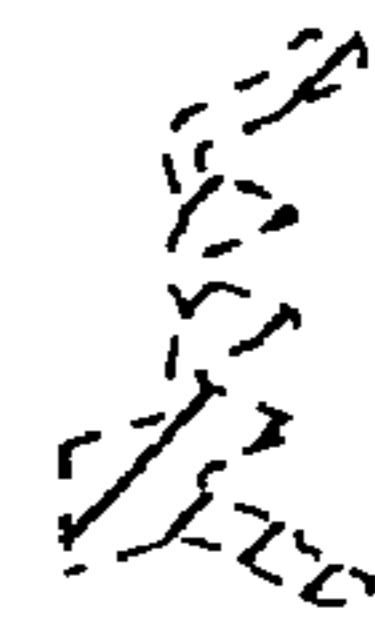
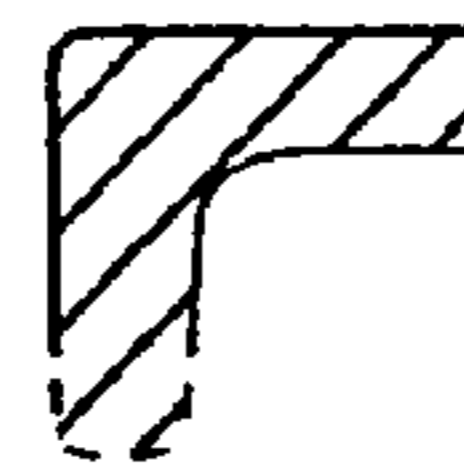
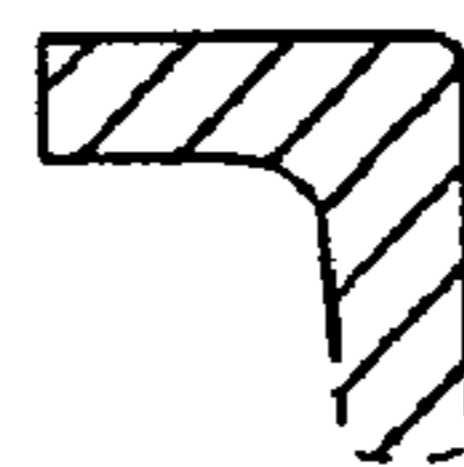
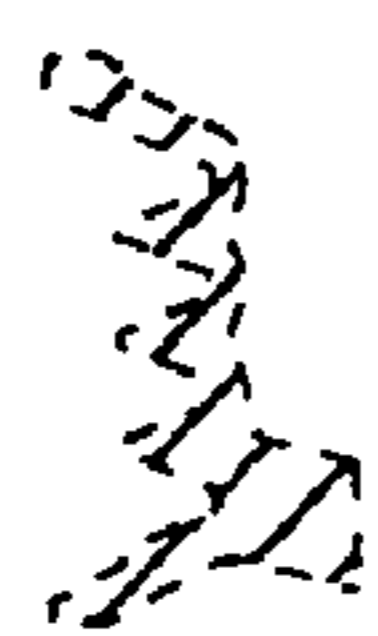


Fig.8

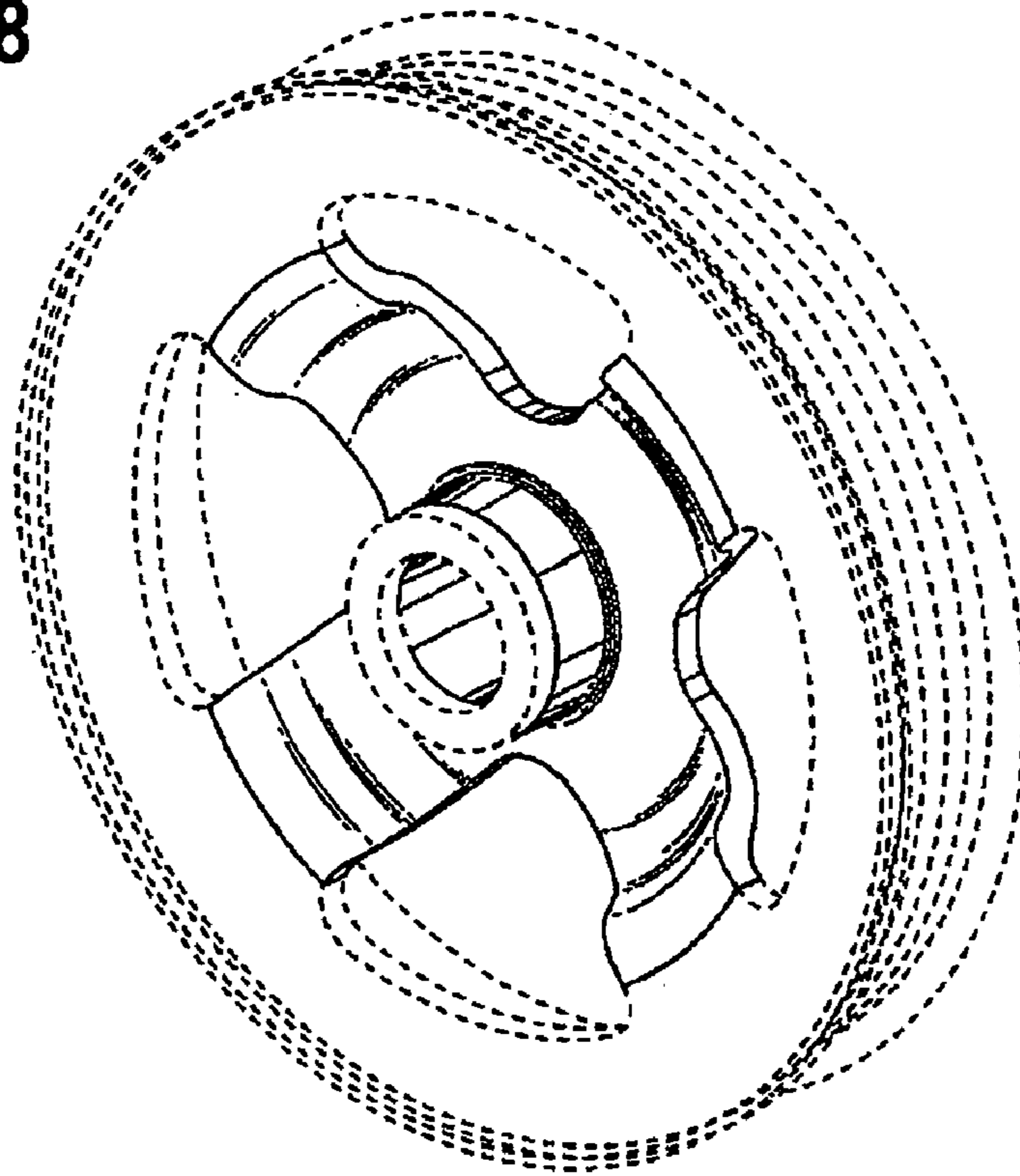


Fig. 9

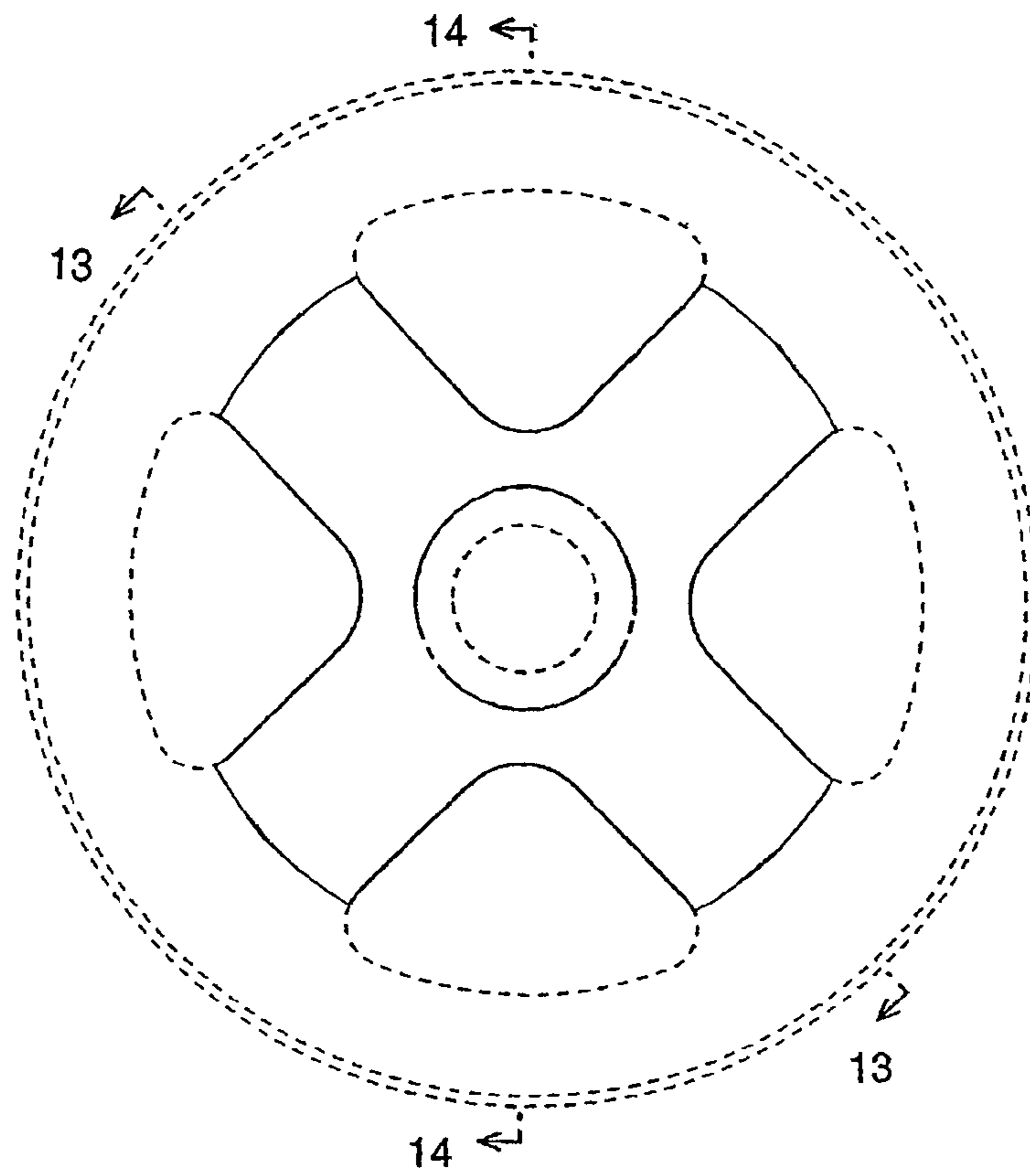


Fig. 10

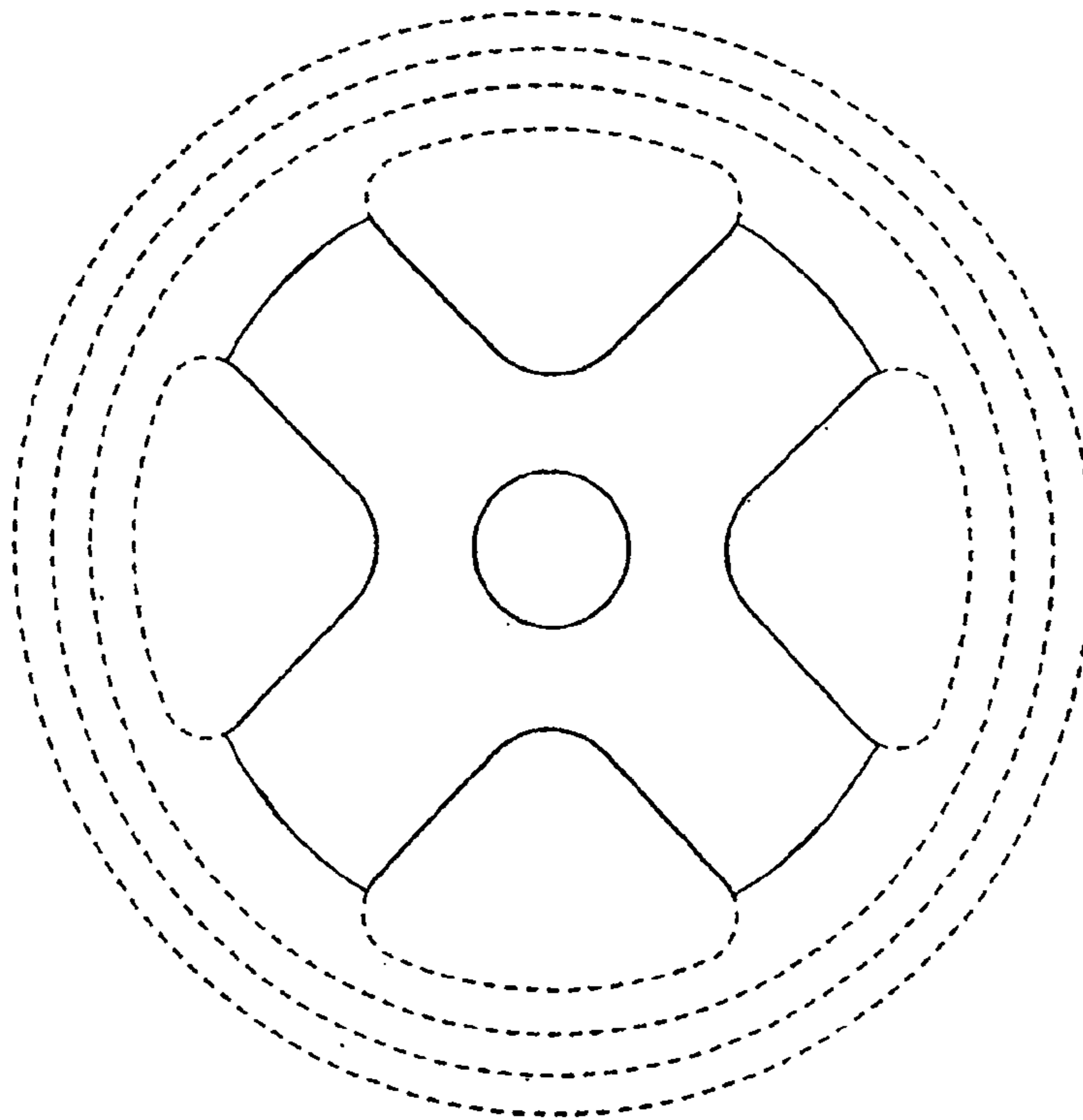


Fig. 11

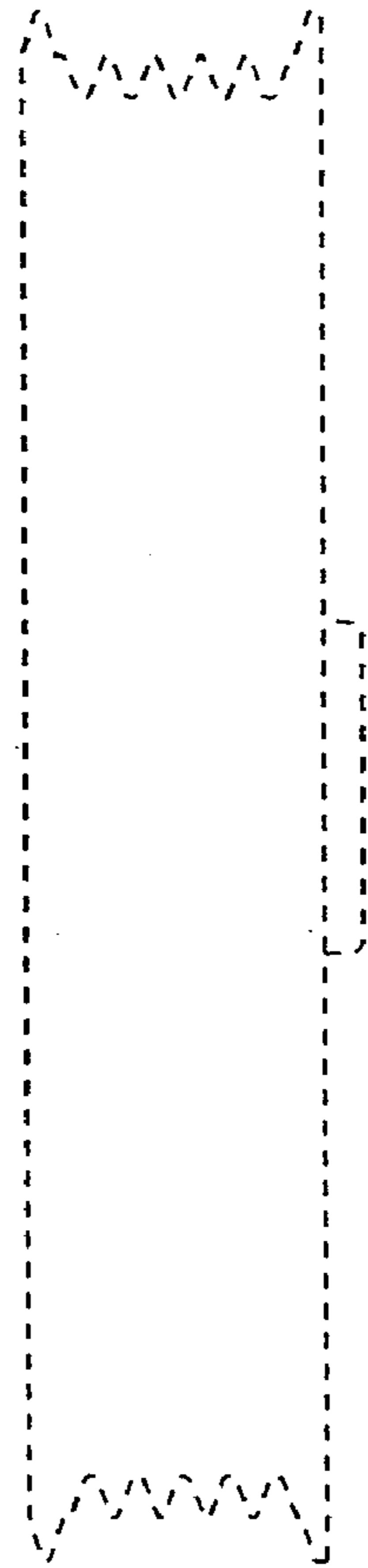


Fig. 12



Fig. 13

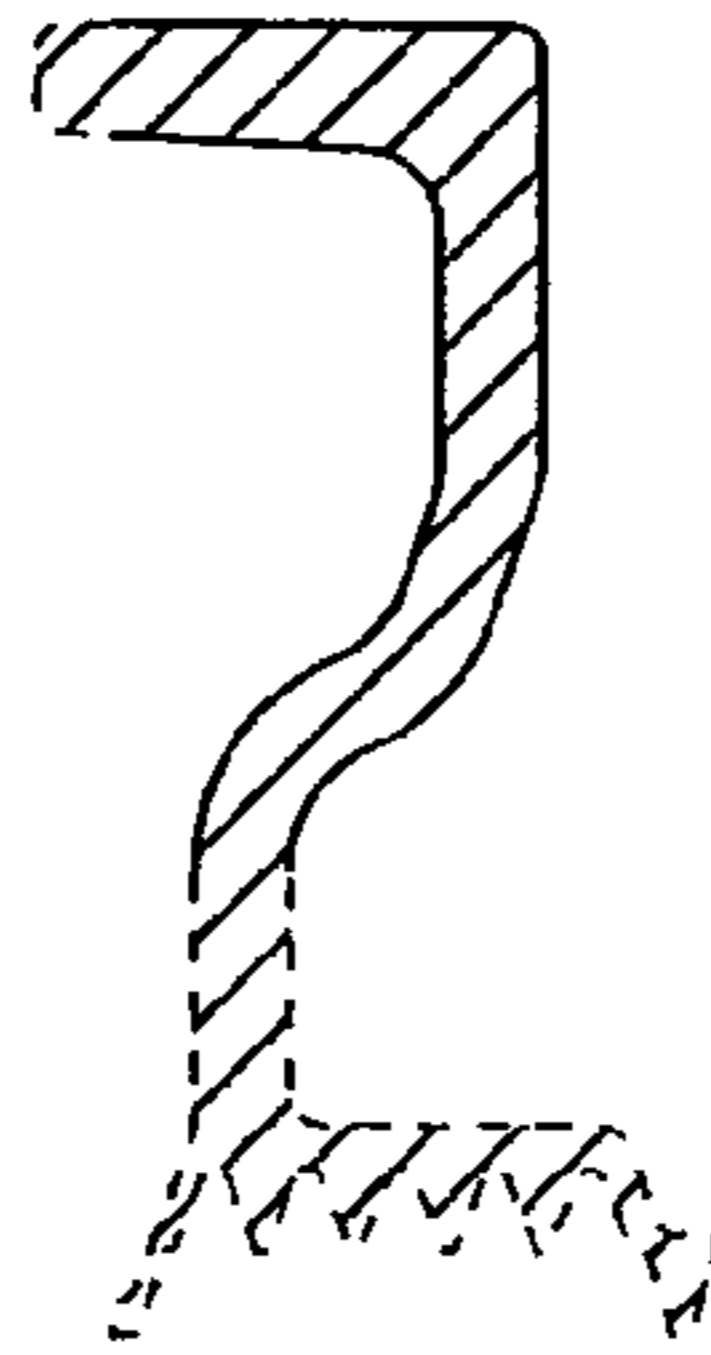
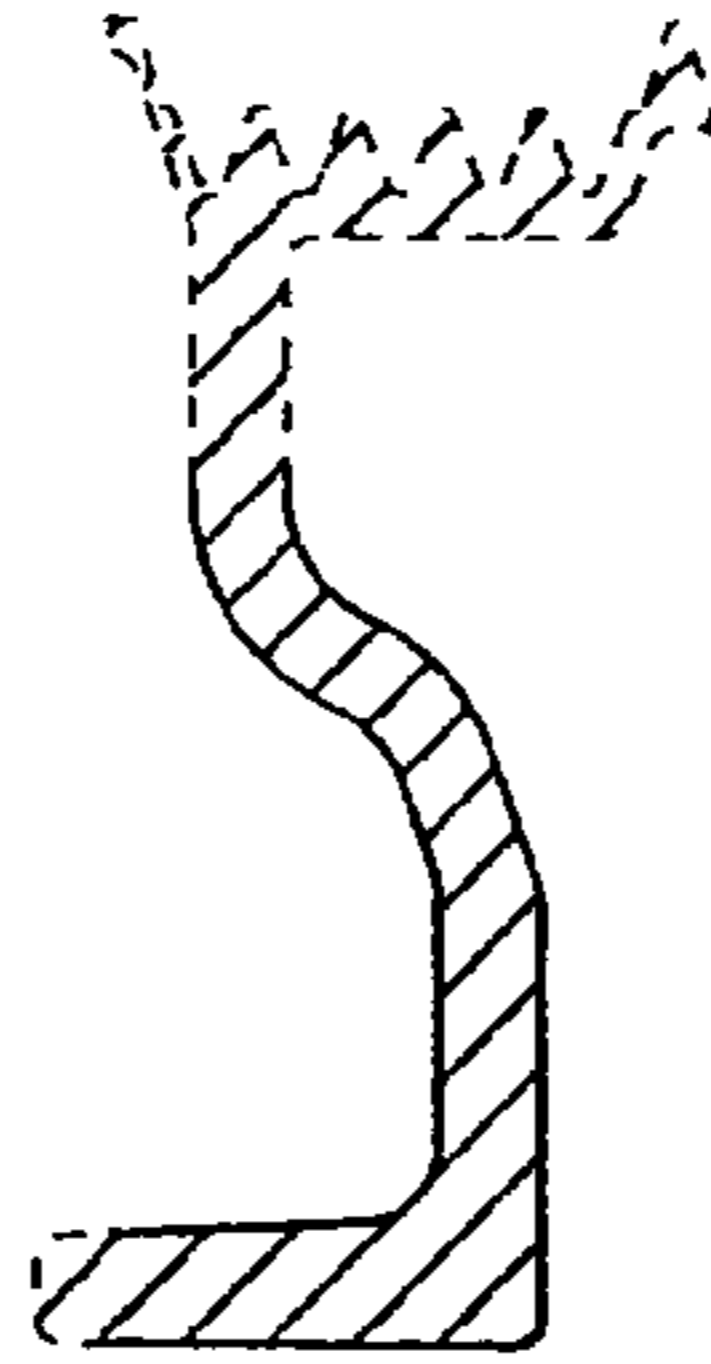


Fig. 14

