

US00D561792S

(12) **United States Design Patent**  
**Johnson**

(10) **Patent No.:** **US D561,792 S**

(45) **Date of Patent:** **\*\* Feb. 12, 2008**

(54) **HEAT TRANSFER MACHINE**

(75) Inventor: **Larry Johnson**, Yorba Linda, CA (US)

(73) Assignee: **Insta Graphic Systems**, Cerritos, CA (US)

(\*\*) Term: **14 Years**

(21) Appl. No.: **29/266,606**

(22) Filed: **Sep. 25, 2006**

(51) **LOC (8) Cl.** ..... **15-99**

(52) **U.S. Cl.** ..... **D15/146**

(58) **Field of Classification Search** ..... D15/123,  
D15/144-146; 38/17; 100/92, 233, 300,  
100/301, 315-325; 101/9, 10, 27; 156/579,  
156/583.8, 583.9; 219/227, 243

See application file for complete search history.

(56) **References Cited**

**U.S. PATENT DOCUMENTS**

3,149,560	A *	9/1964	Finke	.....	100/320
3,992,988	A *	11/1976	Dwyer	.....	101/27
D250,340	S *	11/1978	Douglas	.....	D15/146
4,243,470	A *	1/1981	Higashiguchi	.....	156/583.9
4,300,296	A *	11/1981	Hochstrasser et al.	.....	38/17

5,147,496	A *	9/1992	Hix	.....	156/583.8
5,435,883	A *	7/1995	Myers	.....	156/583.9
5,474,633	A *	12/1995	Myers	.....	156/583.8
D420,016	S *	2/2000	Adams	.....	D15/123
6,058,834	A *	5/2000	Beckwith	.....	156/583.9
6,772,681	B1 *	8/2004	Raio et al.	.....	100/233
2005/0278984	A1 *	12/2005	Kenney	.....	38/17
2007/0017641	A1 *	1/2007	Kenney	.....	156/583.8

\* cited by examiner

*Primary Examiner*—Antoine D. Davis

*Assistant Examiner*—Patricia Palasik

(74) *Attorney, Agent, or Firm*—Stetina Brunda Garred & Brucker

(57) **CLAIM**

The ornamental design for a heat transfer machine, as shown and described.

**DESCRIPTION**

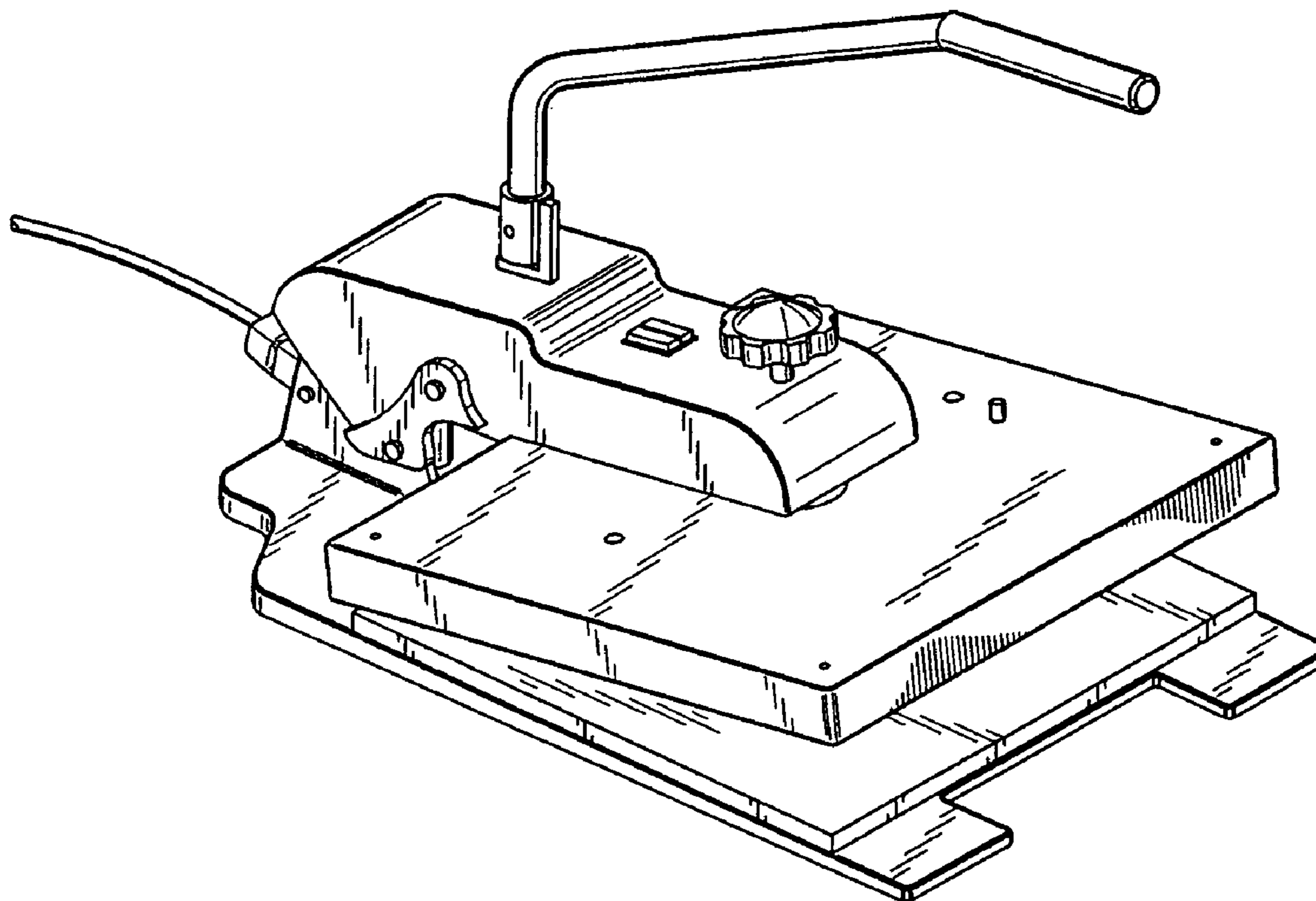
FIG. 1 is a front perspective view of the invention;

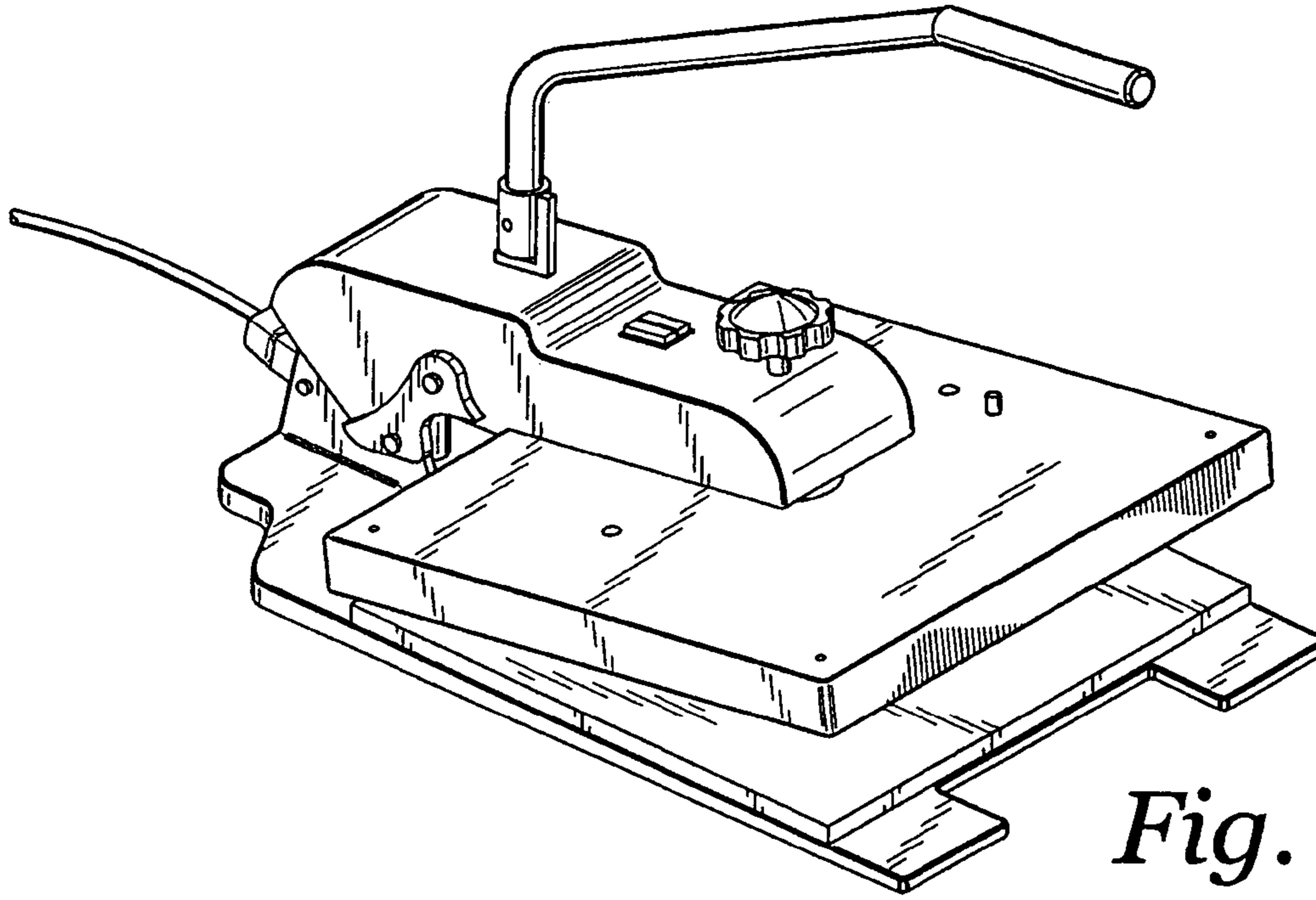
FIG. 2 is a right side view of the invention;

FIG. 3 is a rear view of the invention; and,

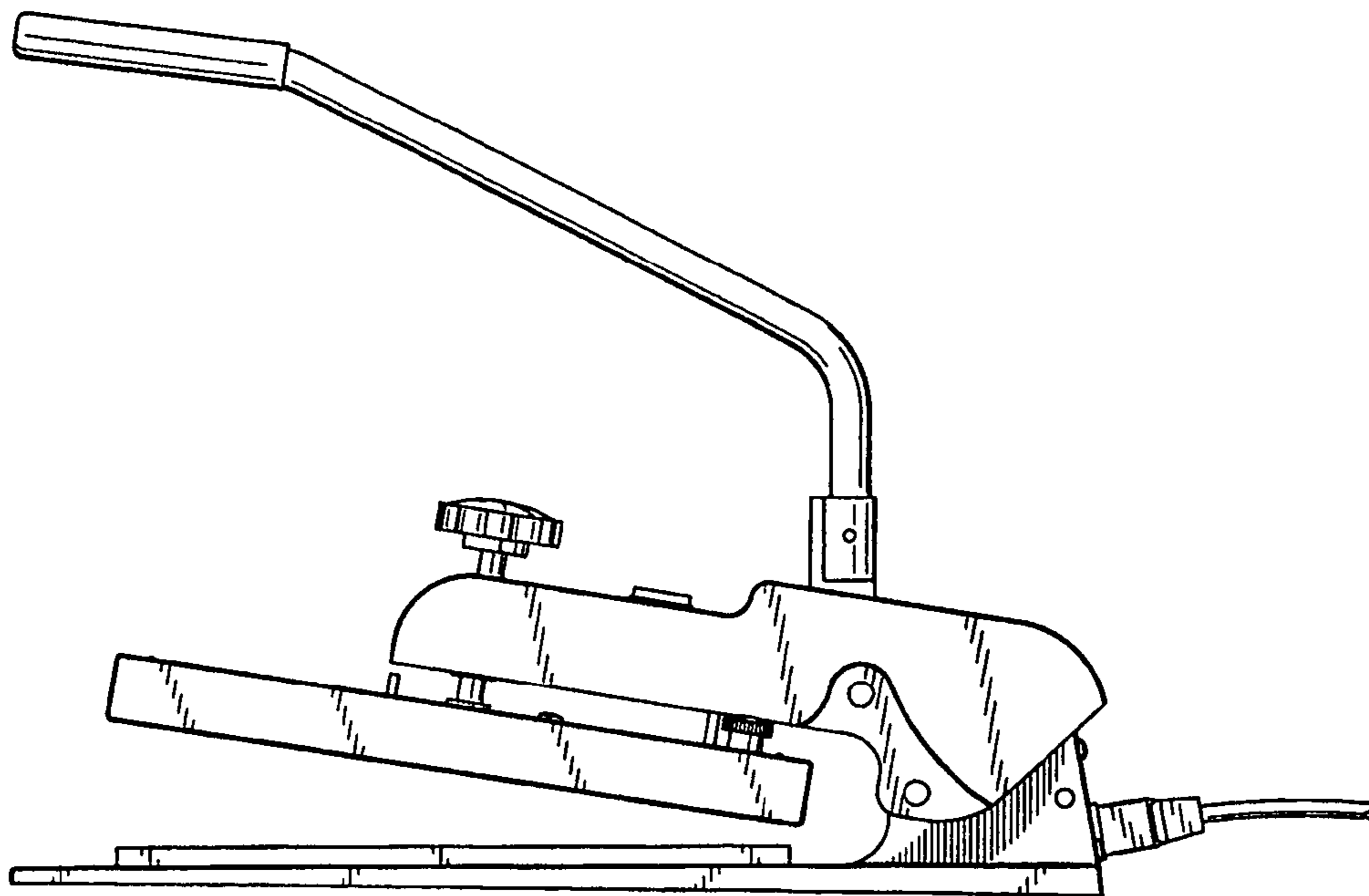
FIG. 4 is a bottom view of the invention.

**1 Claim, 2 Drawing Sheets**

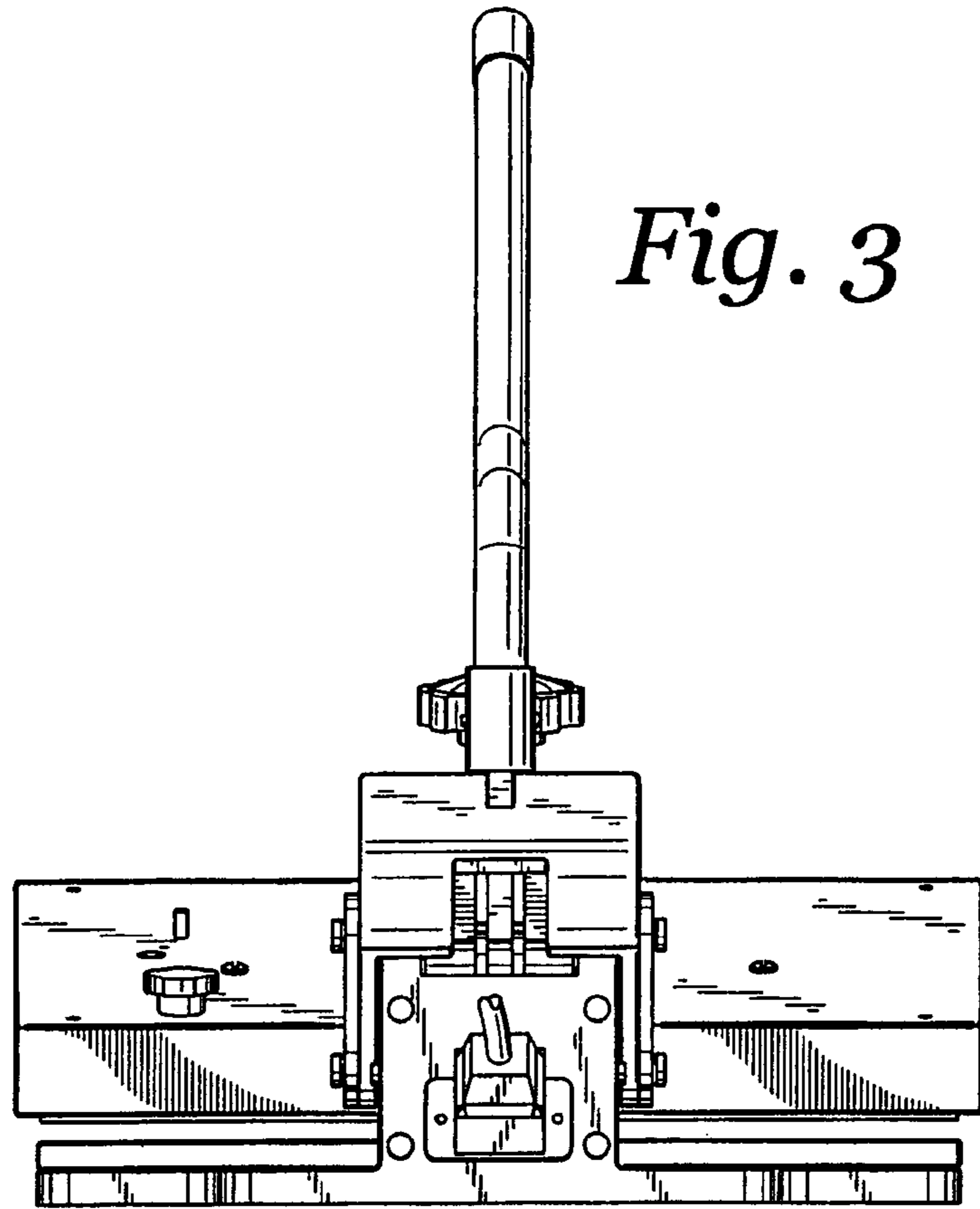




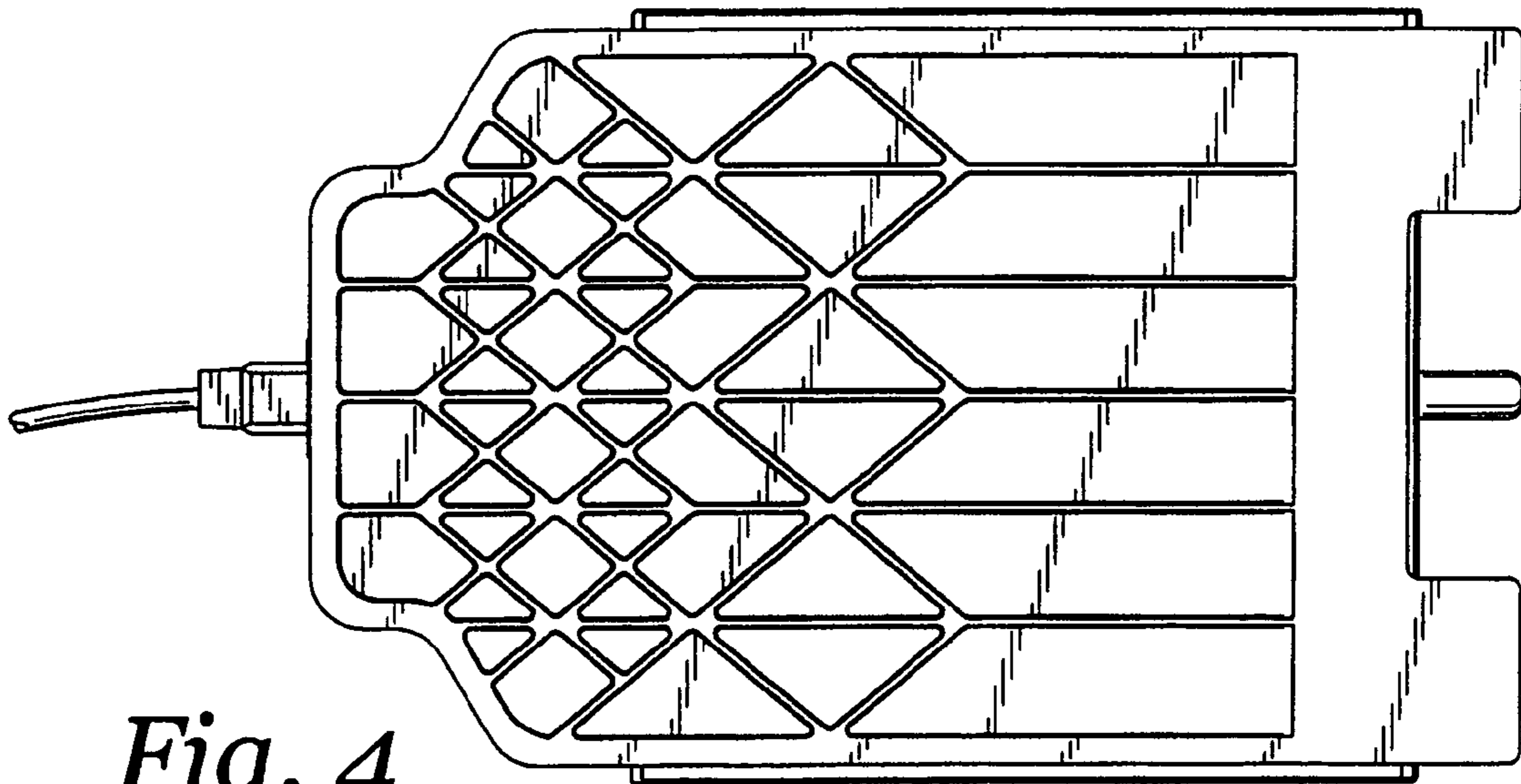
*Fig. 1*



*Fig. 2*



*Fig. 3*



*Fig. 4*