



US00D561786S

(12) **United States Design Patent**
Tateishi

(10) **Patent No.:** **US D561,786 S**

(45) **Date of Patent:** **** Feb. 12, 2008**

(54) **RUBBER CRAWLER**

(75) Inventor: **Kenji Tateishi**, Chuo-ku (JP)

(73) Assignee: **Bridgestone Corporation**, Tokyo (JP)

(**) Term: **14 Years**

(21) Appl. No.: **29/273,533**

(22) Filed: **Mar. 8, 2007**

(30) **Foreign Application Priority Data**

Sep. 8, 2006 (JP) 2006-024043

(51) **LOC (8) Cl.** **15-03**

(52) **U.S. Cl.** **D15/28**

(58) **Field of Classification Search** D15/22-26,
D15/28; 152/108, 62, 88; 305/35, 44, 160,
305/185, 53, 201, 46, 50, 196, 198, 200,
305/39, 162, 187, 191, 189; D21/491, 495,
D21/537, 431, 484

See application file for complete search history.

(56) **References Cited**

U.S. PATENT DOCUMENTS

D59,422 S *	10/1921	Johnson	D15/28
D186,214 S *	9/1959	Francis	D15/28
D231,385 S *	4/1974	Plastino	D15/28
D233,320 S *	10/1974	Svensson	D15/28
6,079,802 A *	6/2000	Nishimura et al.	305/157
6,106,083 A *	8/2000	Ono	305/171
6,176,557 B1 *	1/2001	Ono	305/177
D454,890 S *	3/2002	Tsuru	D15/28
D455,444 S *	4/2002	Tsuru	D15/28
D472,905 S *	4/2003	Feldmann	D15/28
D474,205 S *	5/2003	Feldmann	D15/28
D484,515 S *	12/2003	Nishimura	D15/28
D496,051 S *	9/2004	Yoshida	D15/28

2004/0066090 A1 *	4/2004	Akiyama et al.	305/165
2005/0168069 A1 *	8/2005	Ueno	305/171
2005/0173983 A1 *	8/2005	Nishimura	305/157
2005/0218722 A1 *	10/2005	Kurokawa	305/171
2006/0061212 A1 *	3/2006	Uchiyama	305/167

* cited by examiner

Primary Examiner—Stella M. Reid

Assistant Examiner—Mark Goodwin

(74) *Attorney, Agent, or Firm*—Sughrue Mion, Pllc.

(57) **CLAIM**

The ornamental design for a rubber crawler, as shown and described.

DESCRIPTION

FIG. 1 is a perspective view of a rubber crawler showing my new design.

FIG. 2 is a front elevation view thereof.

FIG. 3 is a rear elevation view thereof.

FIG. 4 is a top plan view thereof.

FIG. 5 is a bottom plan view thereof.

FIG. 6 is a left side elevation view thereof.

FIG. 7 is a right side elevation view thereof.

FIG. 8 is a cross-sectional view thereof taken along line 8—8 in FIG. 2.

FIG. 9 is a cross-sectional view thereof taken along line 9—9 in FIG. 2; and,

FIG. 10 is a cross-sectional view thereof taken along line 10—10 in FIG. 2.

The broken line portion in FIGS. 2 and 3 is included for the purpose of illustrating indeterminate length and forms no part of the claimed design.

1 Claim, 10 Drawing Sheets

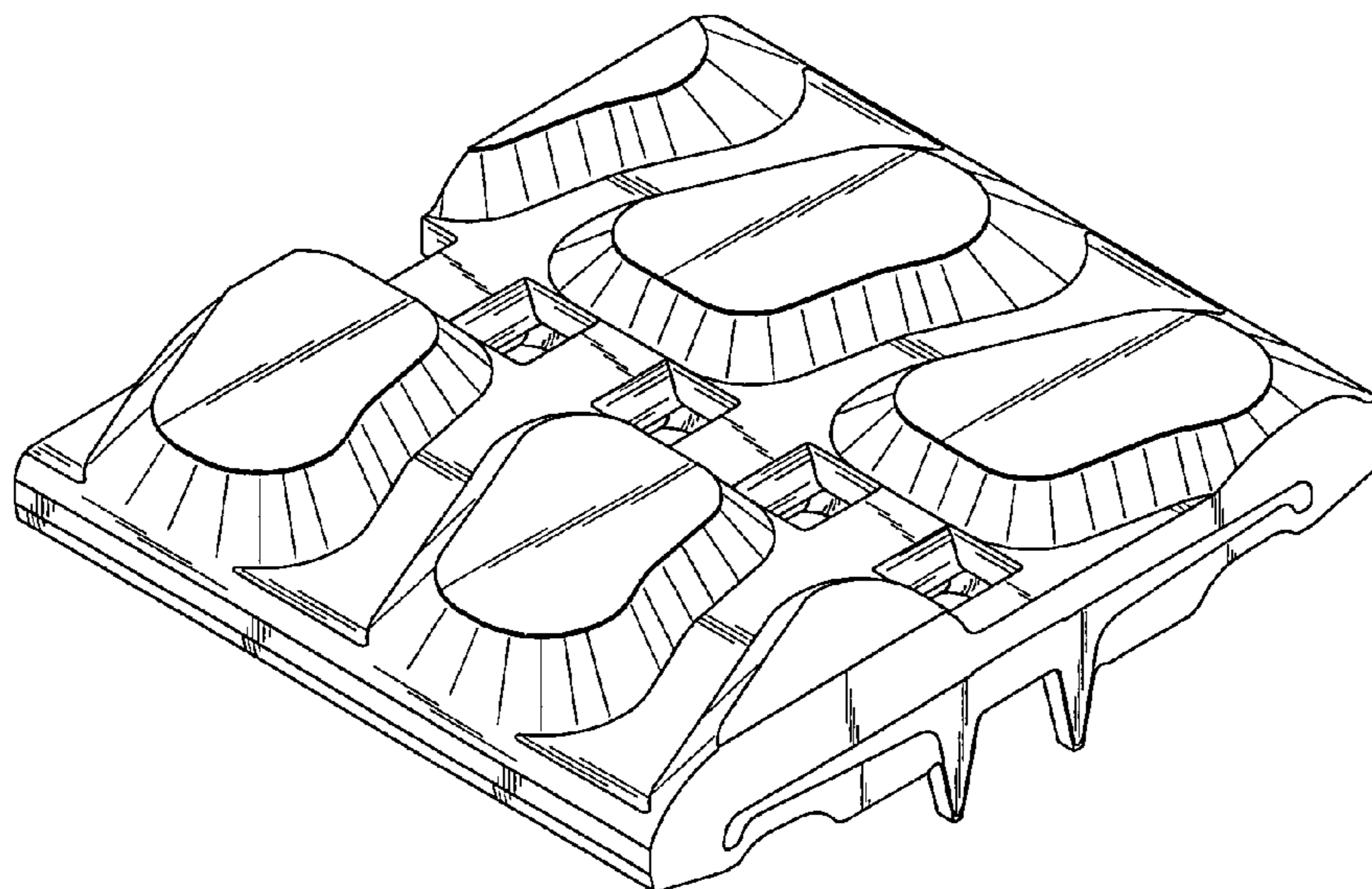


FIG.1

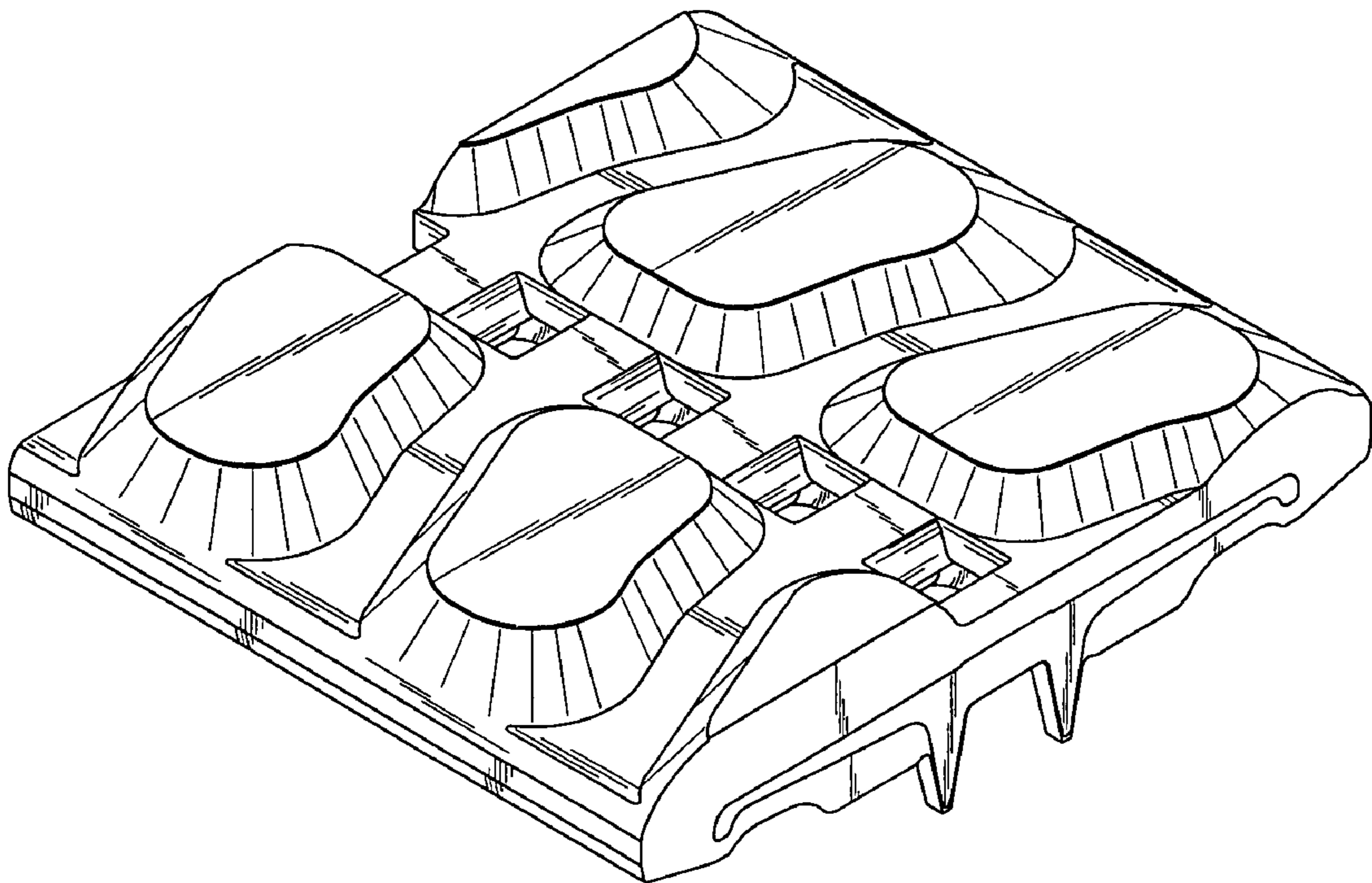


FIG.2

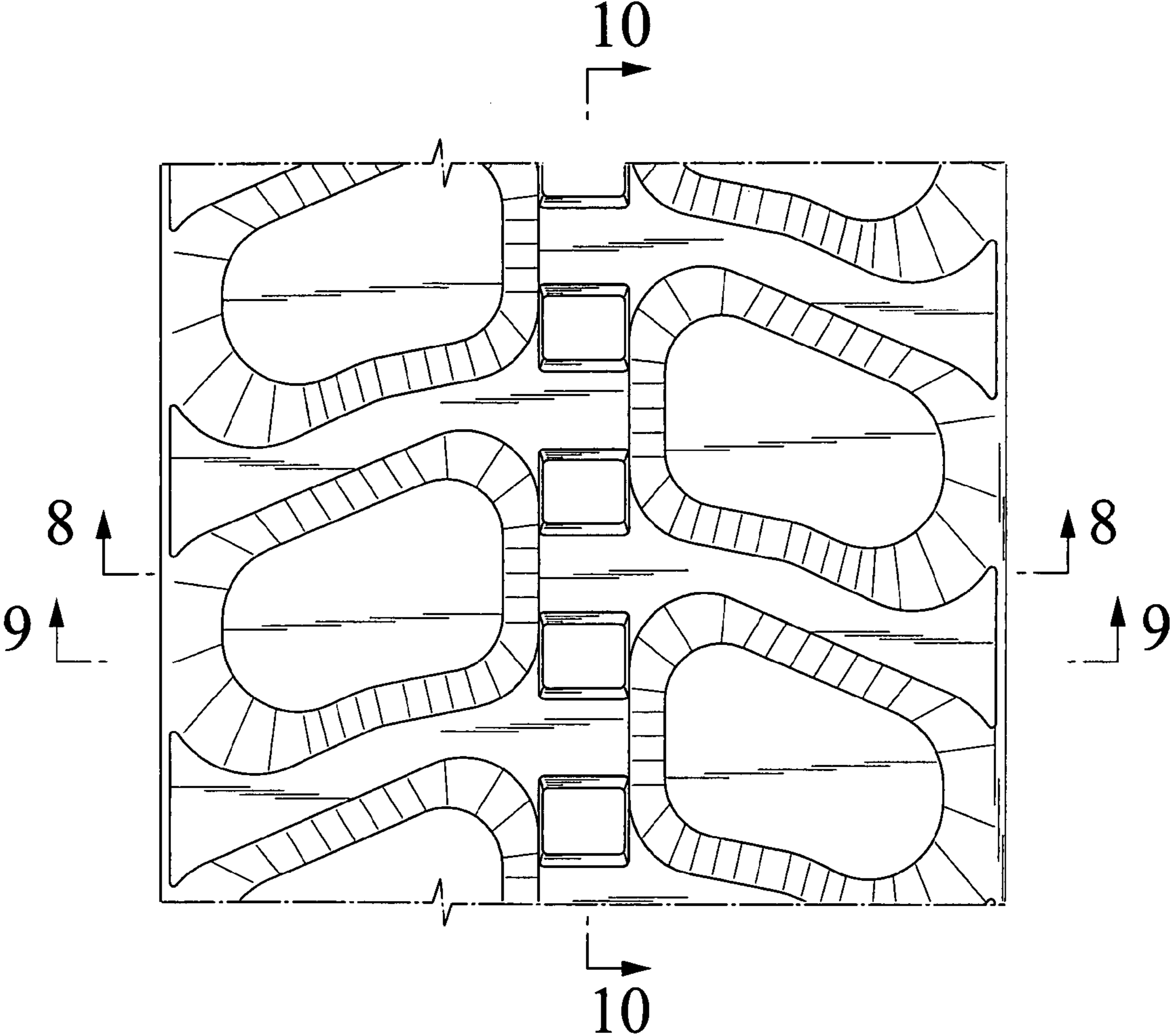


FIG.3

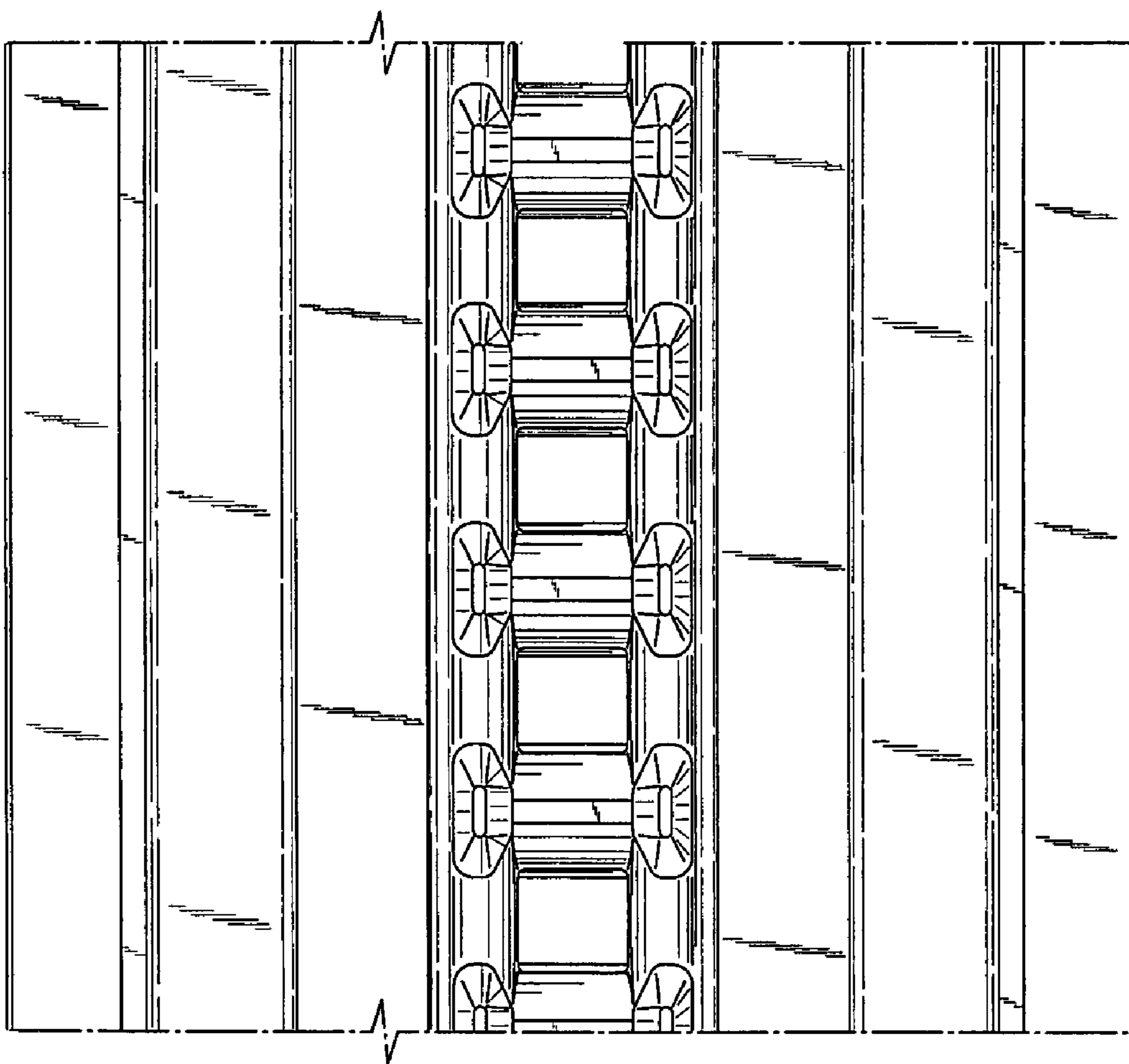


FIG.4

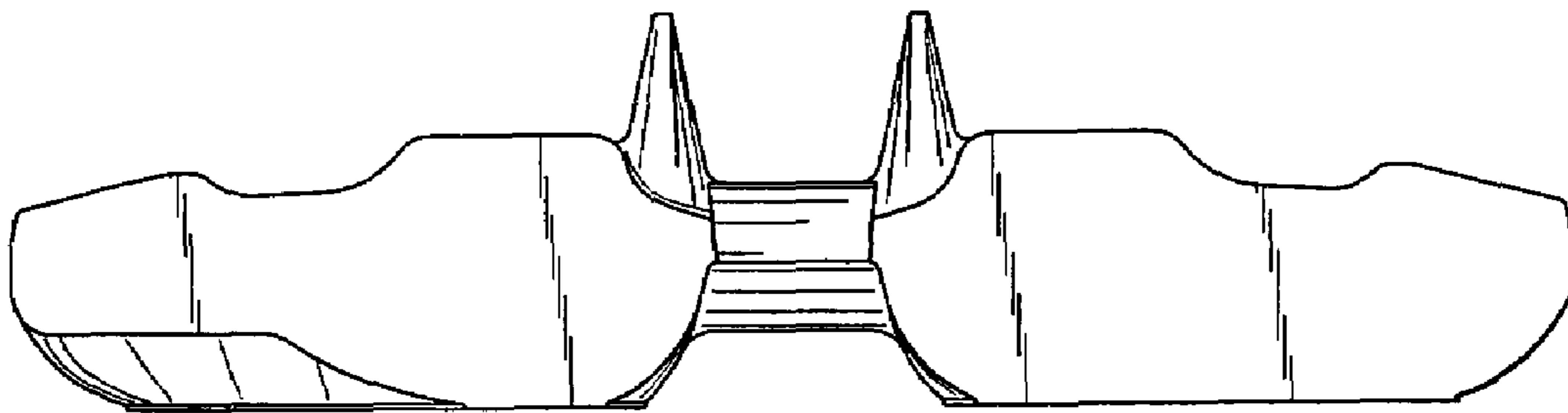


FIG.5

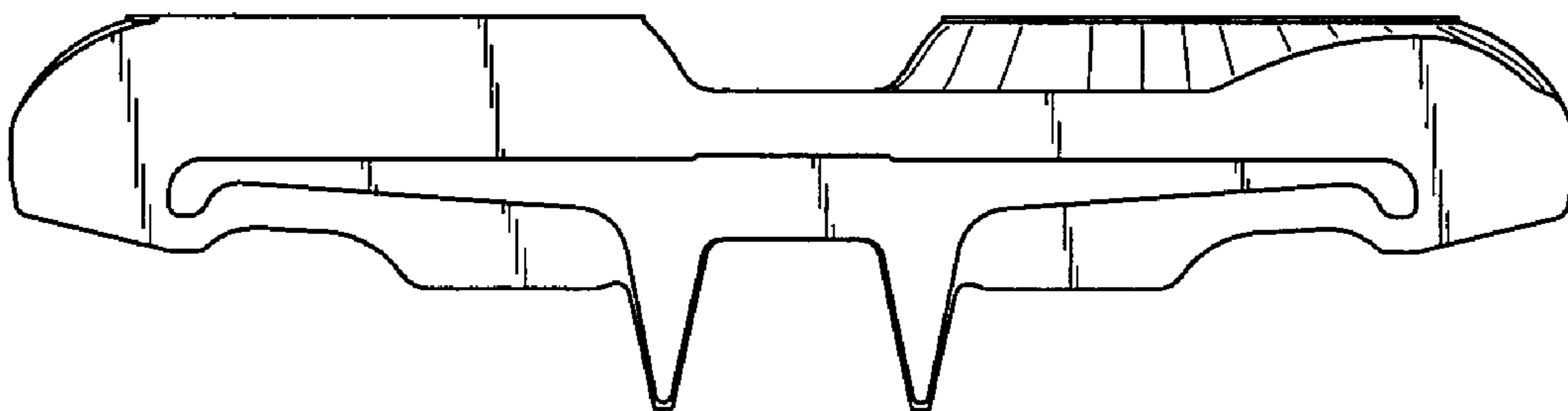


FIG. 6

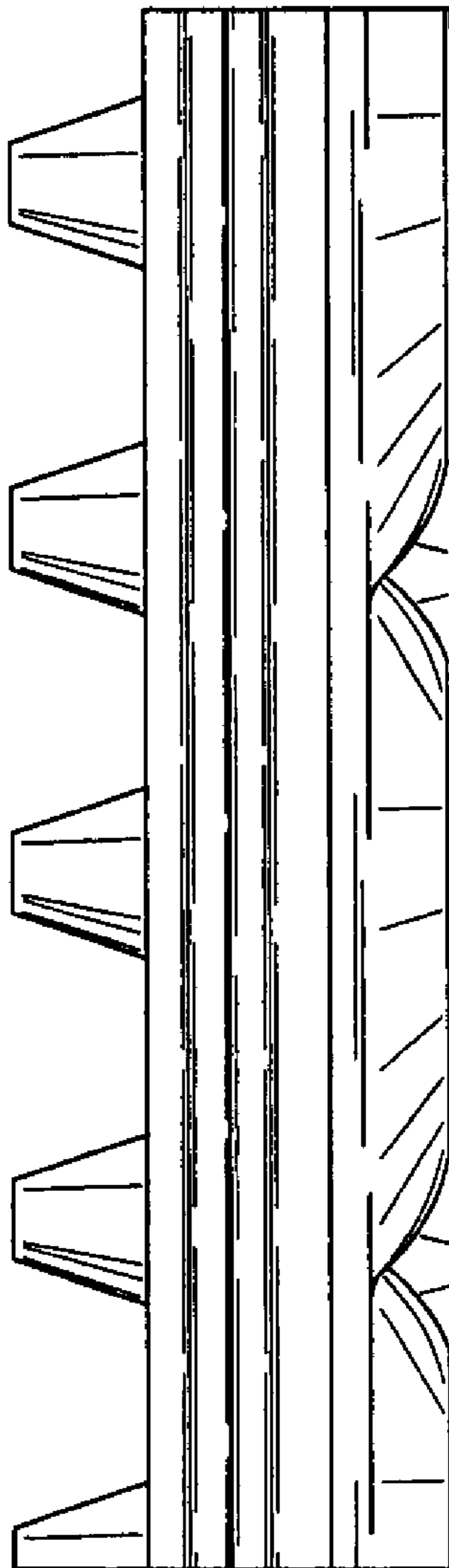


FIG. 7

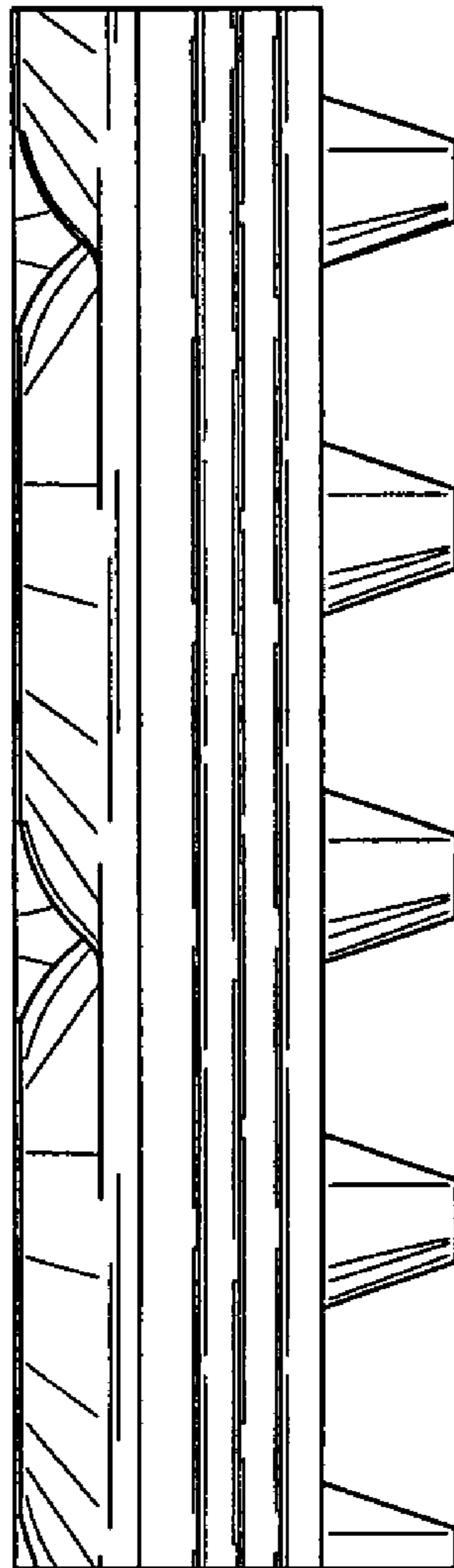


FIG.8

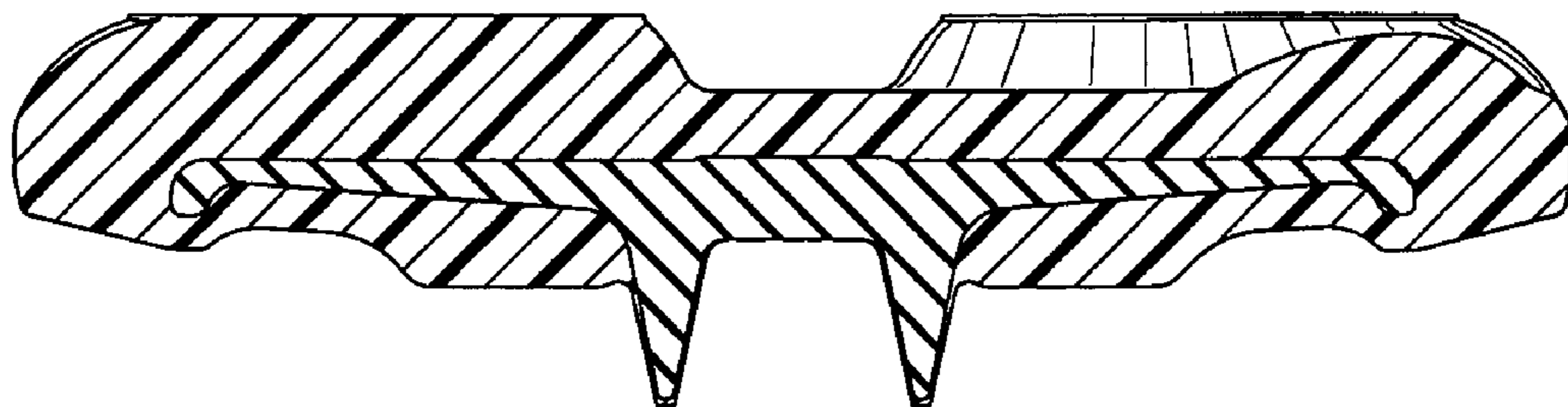


FIG.9

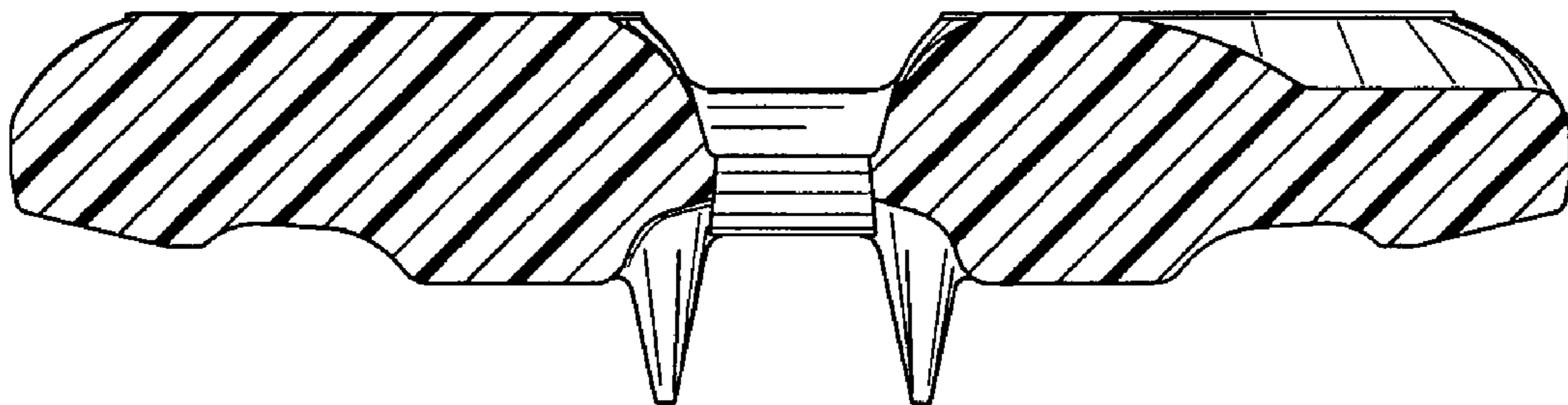


FIG. 10

