



US00D561785S

(12) **United States Design Patent**
Imashige et al.

(10) **Patent No.:** **US D561,785 S**

(45) **Date of Patent:** **** Feb. 12, 2008**

(54) **TRAVELING BODY FOR CONSTRUCTION MACHINE**

(75) Inventors: **Hirokazu Imashige**, Hiroshima (JP);
Isao Miyachi, Hiroshima (JP);
Hirohisa Kimura, Hiroshima (JP)

(73) Assignee: **Kobelco Construction Machinery Co., Ltd.**, Hiroshima-shi (JP)

(**) Term: **14 Years**

(21) Appl. No.: **29/276,007**

(22) Filed: **Jan. 11, 2007**

(30) **Foreign Application Priority Data**

Jul. 11, 2006 (JP) 2006-018260

(51) **LOC (8) Cl.** **12-09**

(52) **U.S. Cl.** **D15/24**

(58) **Field of Classification Search** D15/10,
D15/22-26, 28, 30, 31, 33; 180/89.1, 89.12,
180/235, 900; 414/694, 699, 722-724; 280/400
See application file for complete search history.

(56) **References Cited**

U.S. PATENT DOCUMENTS

- D309,313 S * 7/1990 Takashima et al. D15/25
- D312,468 S * 11/1990 Masumoto et al. D15/25
- D354,497 S * 1/1995 Kusunoki et al. D15/25
- D383,469 S * 9/1997 Ishizaki et al. D15/25
- D387,360 S * 12/1997 Ishizaki et al. D15/25

- D424,581 S * 5/2000 Morita et al. D15/24
- D450,067 S * 11/2001 Murakami et al. D15/25
- D473,571 S * 4/2003 Kuwae et al. D15/25
- D474,481 S * 5/2003 Hara D15/25
- D509,514 S 9/2005 Shimokakiuchi et al.
- D511,531 S * 11/2005 Sewell et al. D15/24
- D527,027 S * 8/2006 Smith et al. D15/24

* cited by examiner

Primary Examiner—Stella M. Reid

Assistant Examiner—Mark Goodwin

(74) *Attorney, Agent, or Firm*—Oblon, Spivak, McClelland, Maier & Neustadt, P.C.

(57) **CLAIM**

The ornamental design for a traveling body for construction machine, or the like, as shown and described.

DESCRIPTION

FIG. 1 is a top front side perspective view of a traveling body for construction machine showing our new design;

FIG. 2 is a top rear side perspective view thereof;

FIG. 3 is a front elevational view thereof;

FIG. 4 is a rear elevational view thereof;

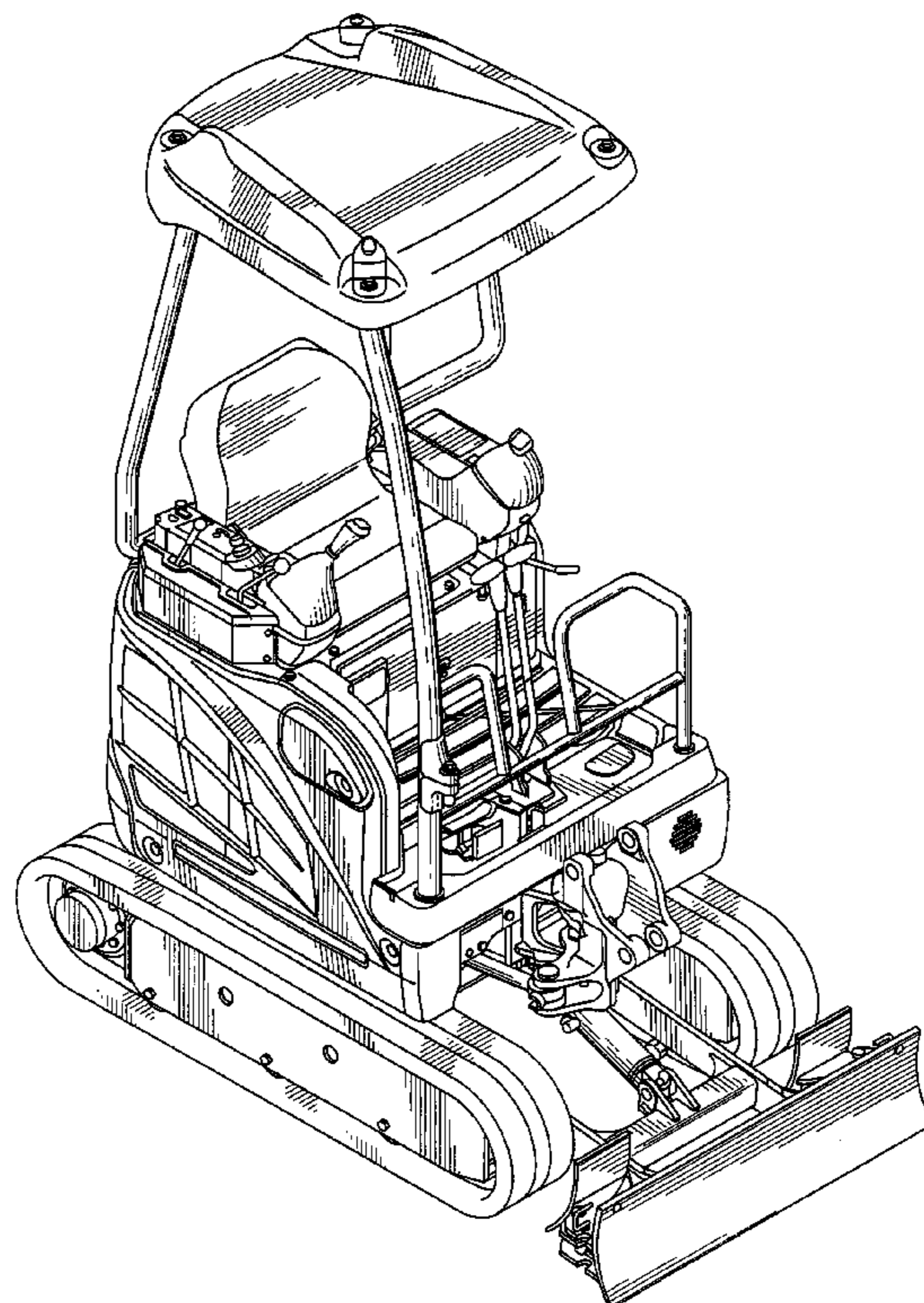
FIG. 5 is a left side elevational view thereof;

FIG. 6 is a right side elevational view thereof;

FIG. 7 is a top plan view thereof; and,

FIG. 8 is a bottom plan view thereof.

1 Claim, 8 Drawing Sheets



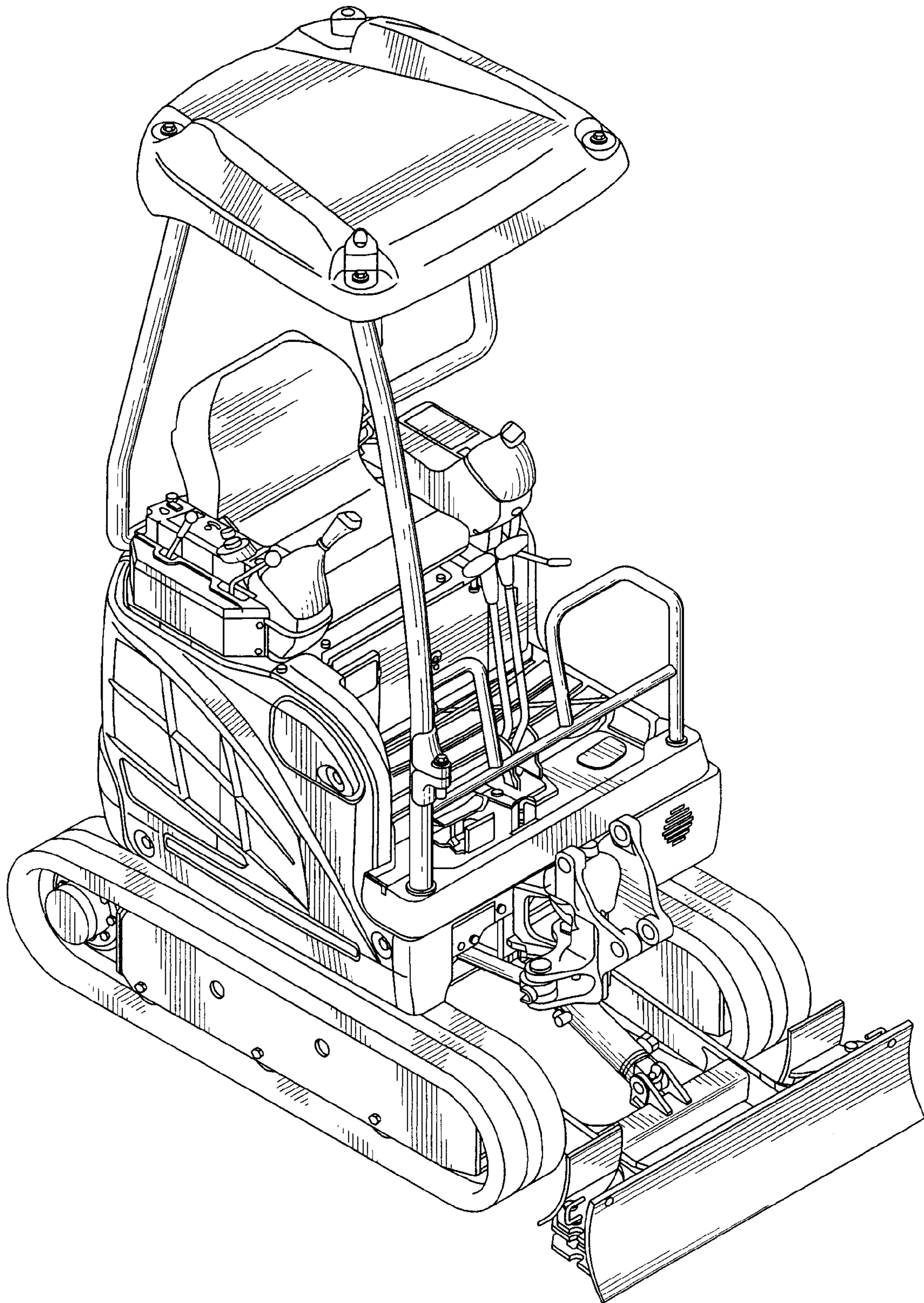


Fig. 1

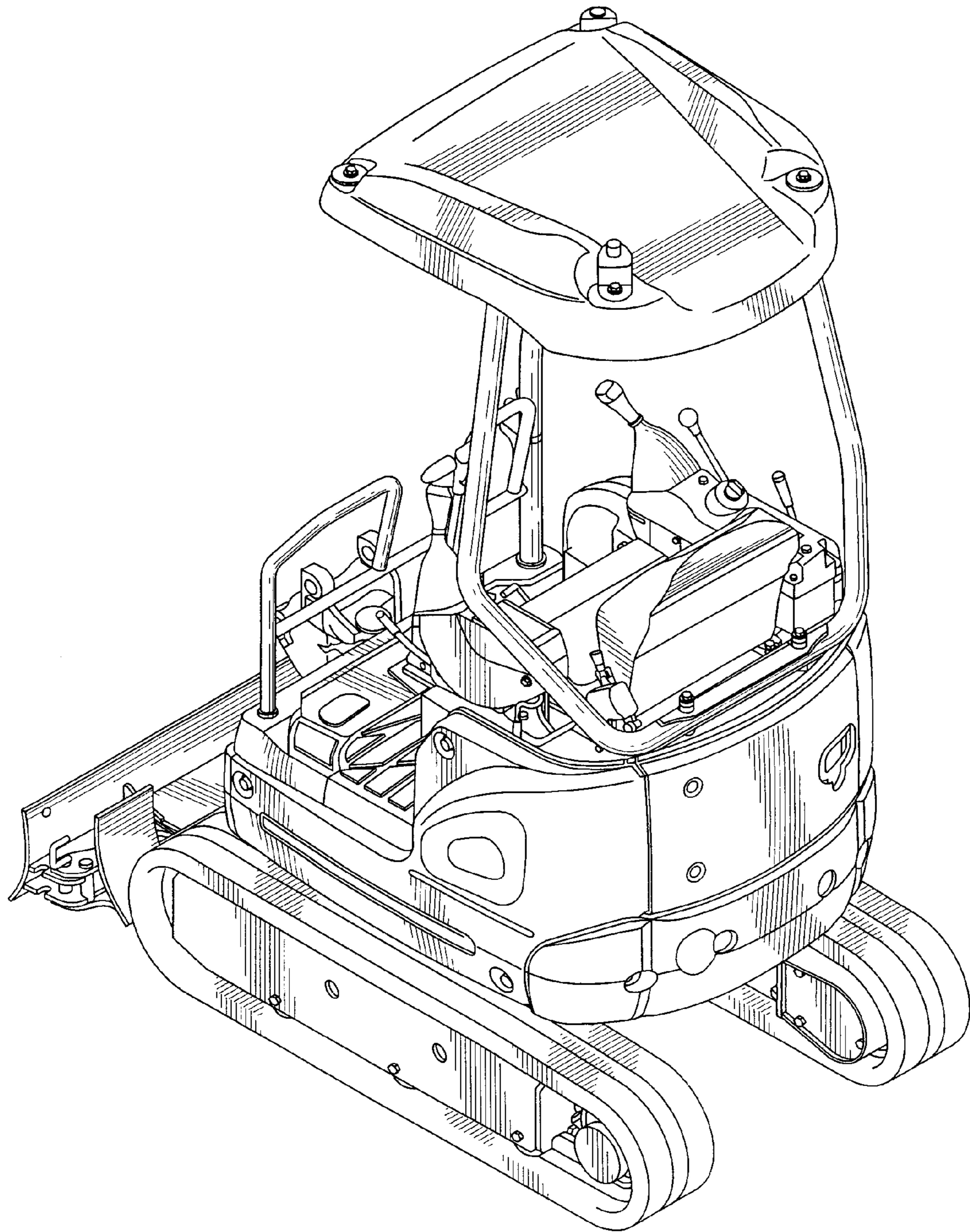


Fig. 2

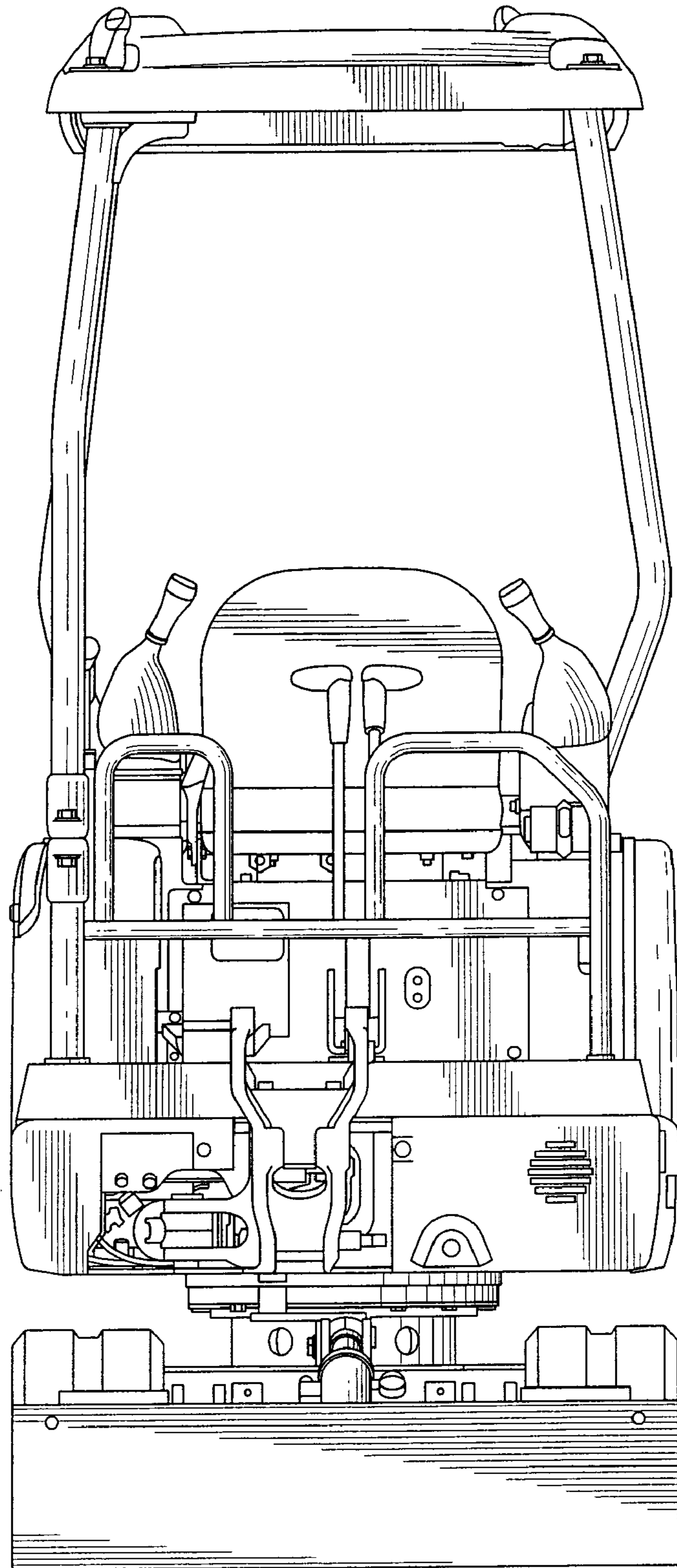


Fig. 3

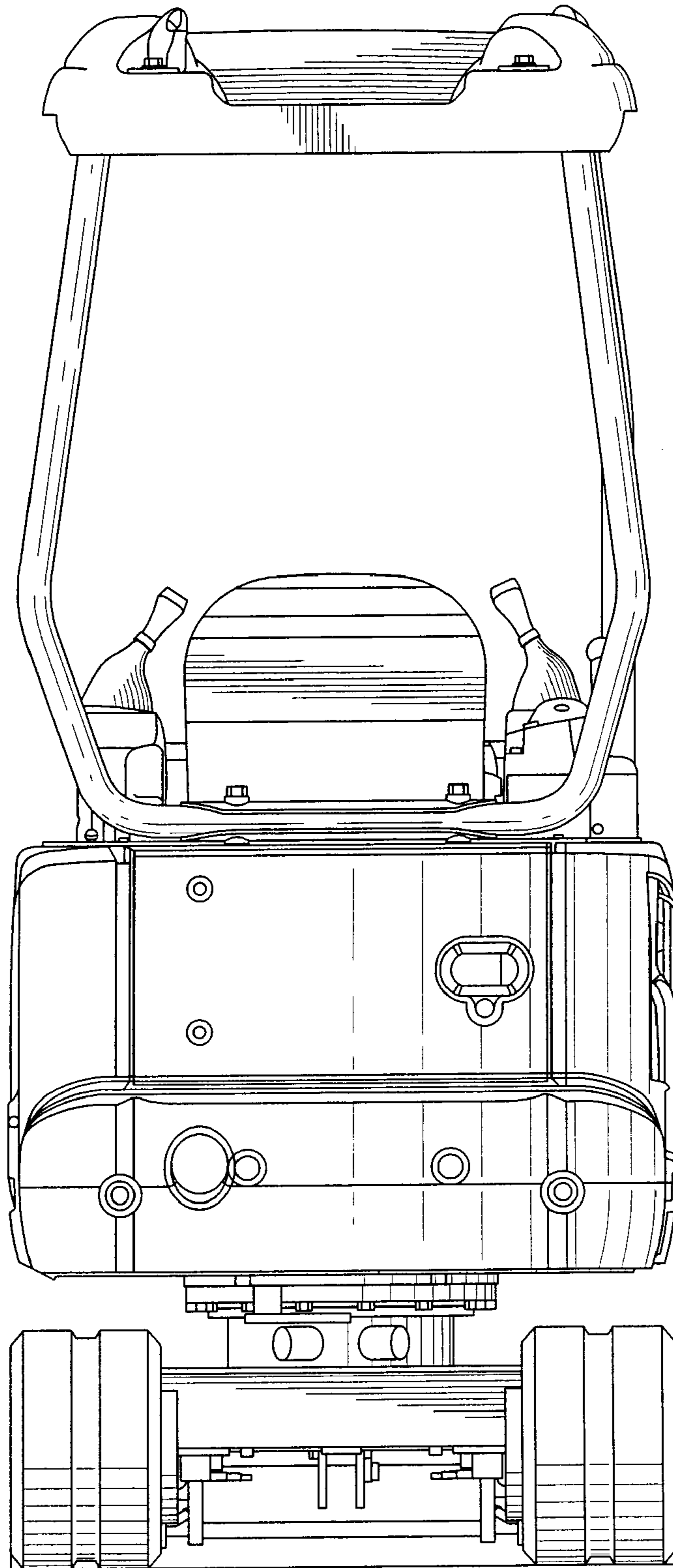


Fig. 4

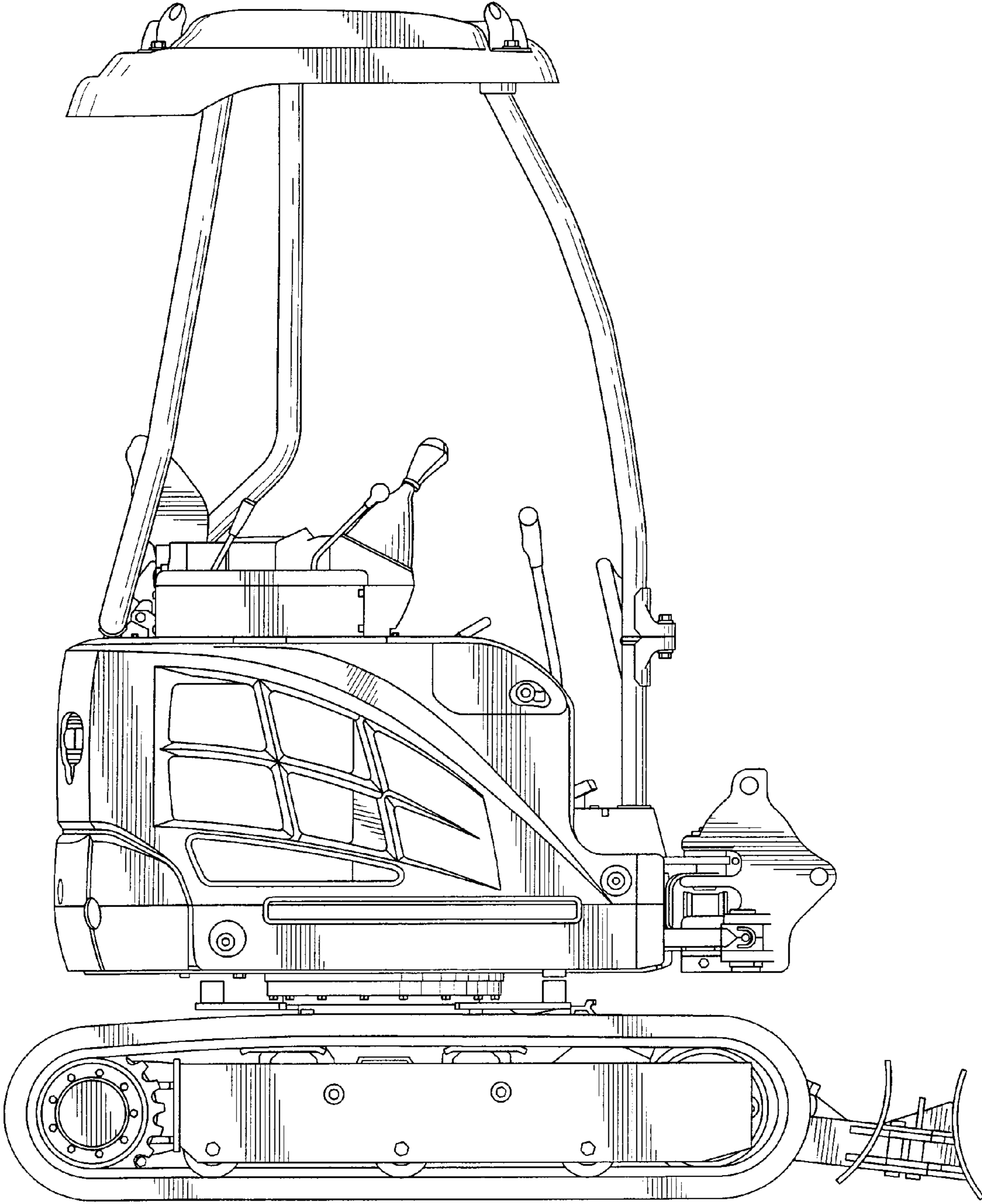


Fig. 5

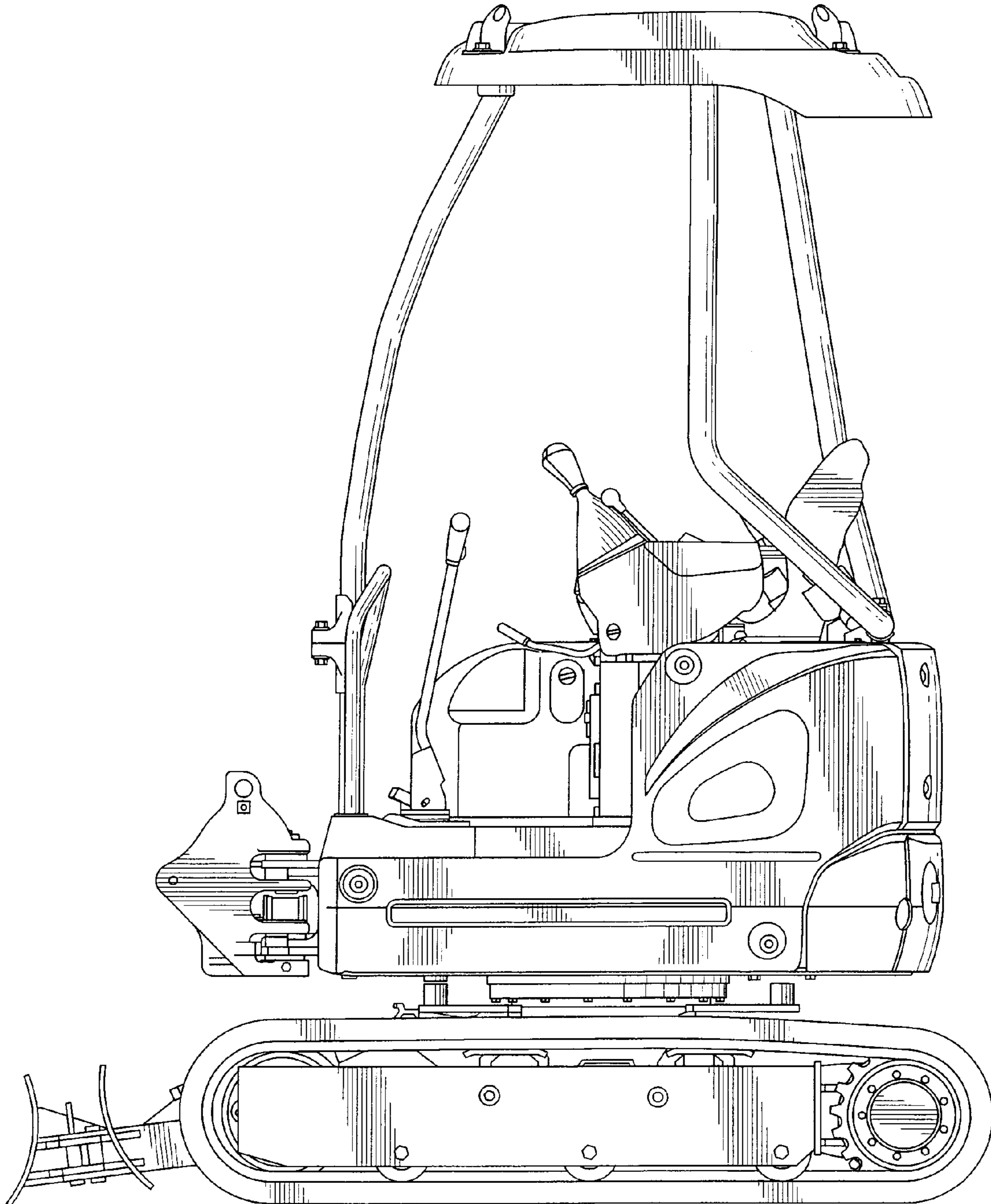


Fig. 6

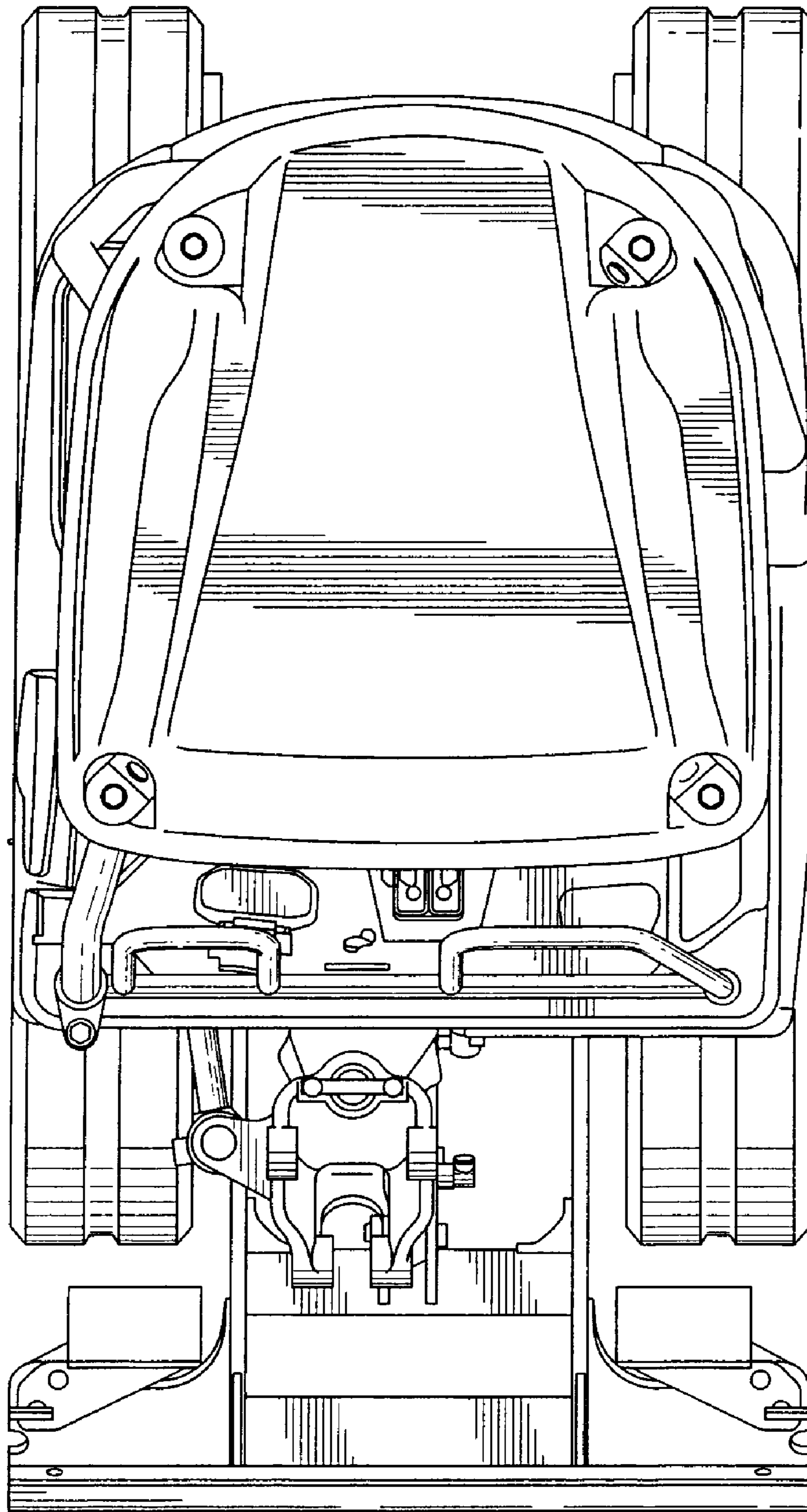


Fig. 7

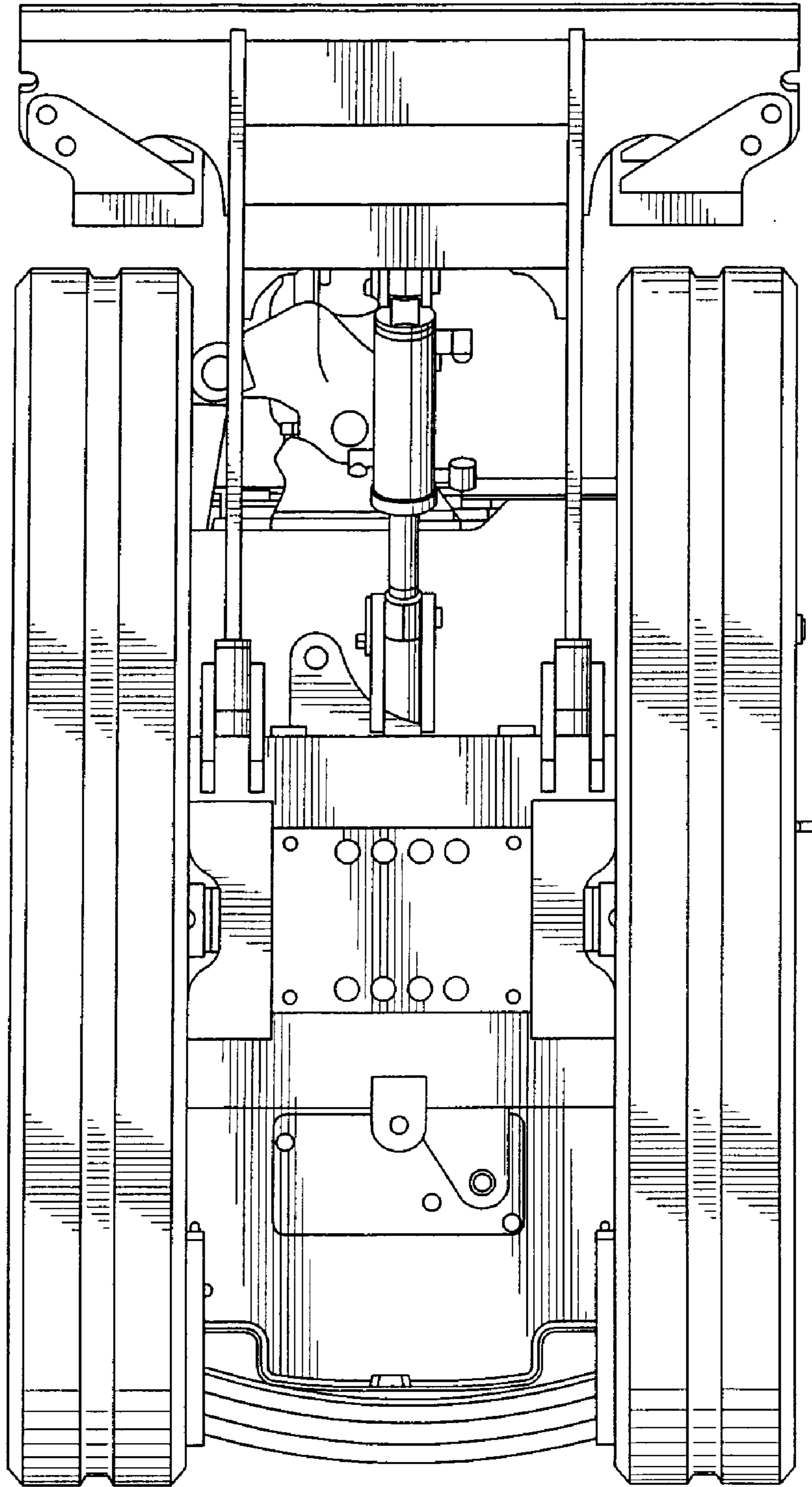


Fig. 8