

US00D561784S

(12) **United States Design Patent**
Yin et al.

(10) **Patent No.:** **US D561,784 S**
(45) **Date of Patent:** **** Feb. 12, 2008**

(54) **GASOLINE ENGINE**

(75) Inventors: **Mingshan Yin**, Chongqing (CN); **Jie Tang**, Chongqing (CN); **Xianguo Yang**, Chongqing (CN)

(73) Assignee: **Lifan Industry (Group) Co., Ltd.** (CN)

(**) Term: **14 Years**

(21) Appl. No.: **29/248,039**

(22) Filed: **Jul. 26, 2006**

(30) **Foreign Application Priority Data**

Jan. 26, 2006 (CN) 2006 3 0010957

(51) **LOC (8) Cl.** **15-01**

(52) **U.S. Cl.** **D15/1**

(58) **Field of Classification Search** D15/1,
D15/3, 5, 17; 123/50 A, 50 B, 50 R, 65 R,
123/70 R, 198 E, 306, 308, 661, 667, 41.7
See application file for complete search history.

(56) **References Cited**

U.S. PATENT DOCUMENTS

D309,612 S * 7/1990 Nakagawa D15/1
D521,529 S * 5/2006 Wu et al. D15/1

D528,562 S * 9/2006 Zuo D15/1
D529,046 S * 9/2006 Maeda et al. D15/1
D529,922 S * 10/2006 Yuasa et al. D15/1
2004/0187840 A1* 9/2004 Nakayama et al. 123/302
2006/0254556 A1* 11/2006 Hu 123/196 M

* cited by examiner

Primary Examiner—Ian Simmons

Assistant Examiner—Maurice Stevens

(74) *Attorney, Agent, or Firm*—Kenyon & Kenyon LLP

(57) **CLAIM**

The ornamental design for a gasoline engine, as shown and described.

DESCRIPTION

FIG. 1 is a front view of a gasoline engine showing our new design;

FIG. 2 is a back view thereof;

FIG. 3 is a top view thereof;

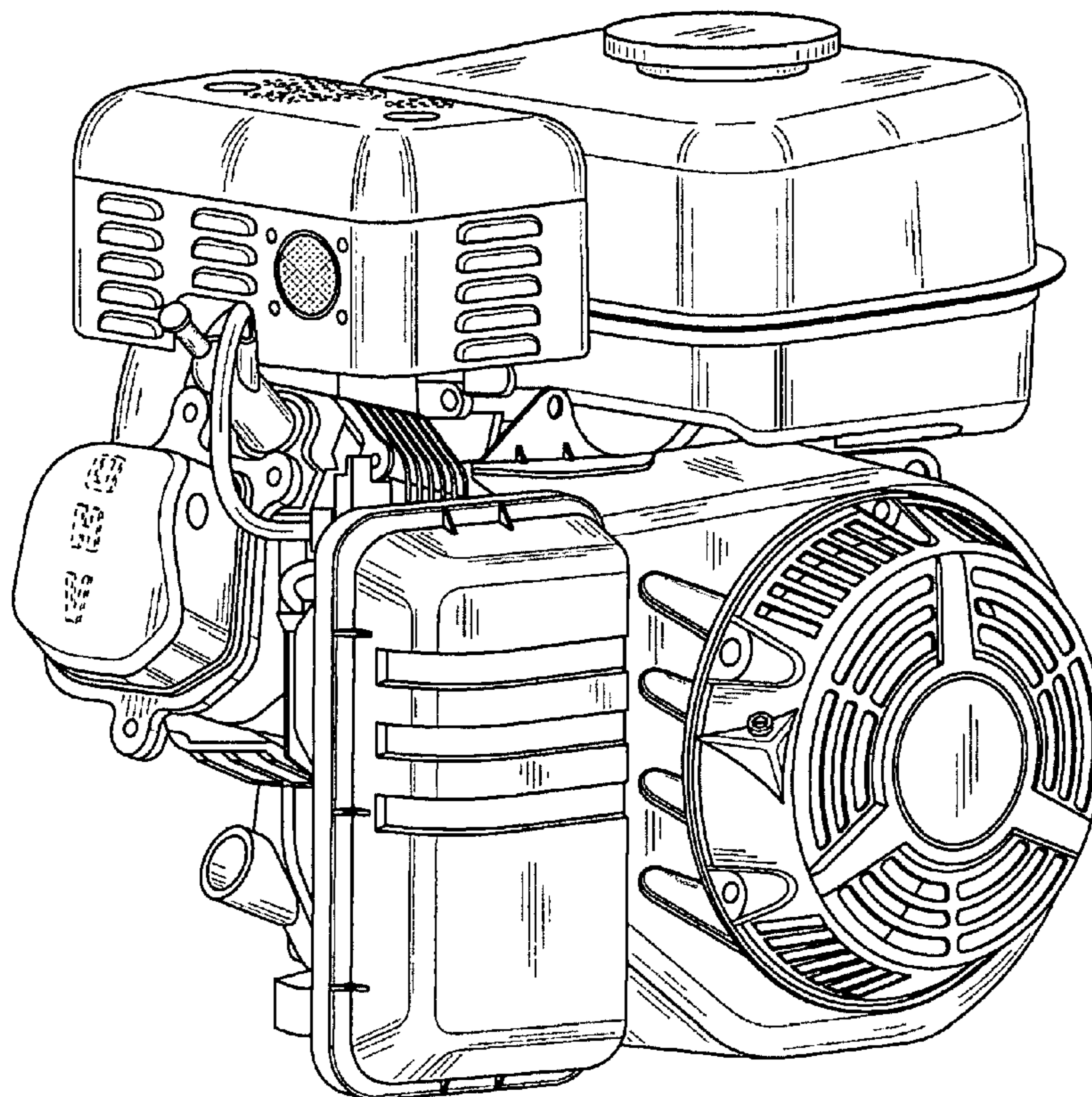
FIG. 4 is a bottom view thereof;

FIG. 5 is a left side view thereof;

FIG. 6 is a right side view thereof; and,

FIG. 7 is a perspective view thereof.

1 Claim, 4 Drawing Sheets



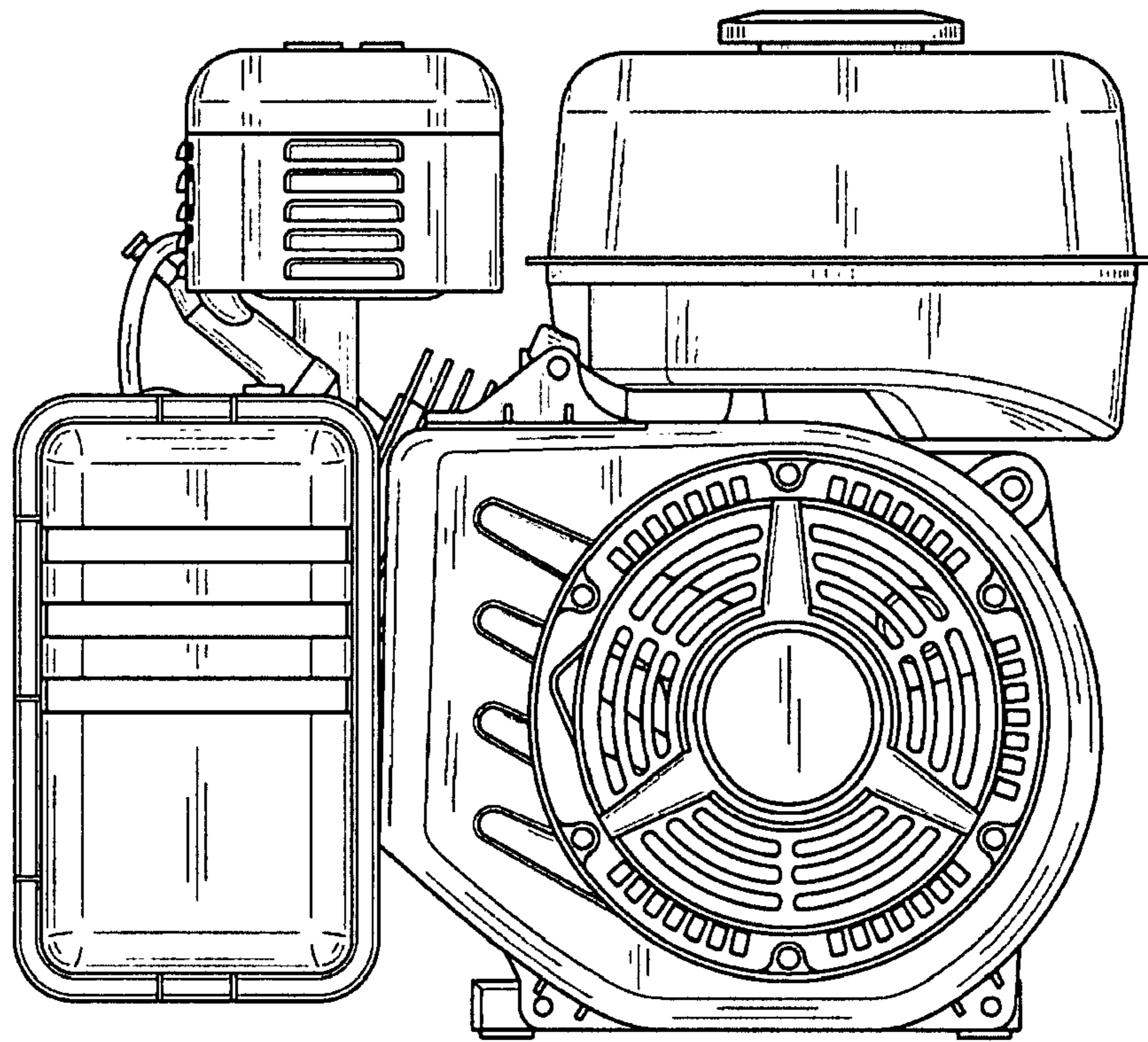


FIG. 1

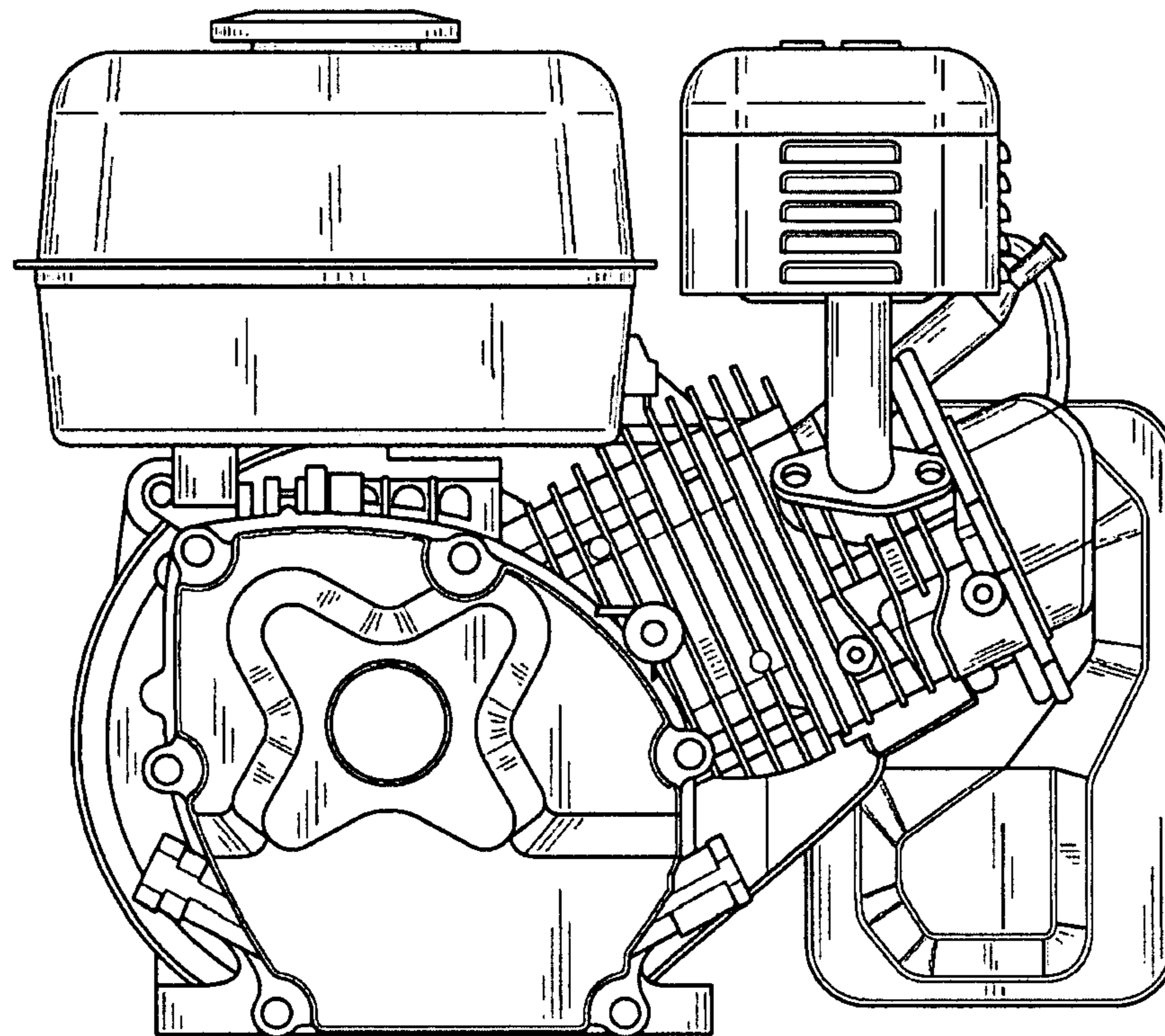


FIG. 2

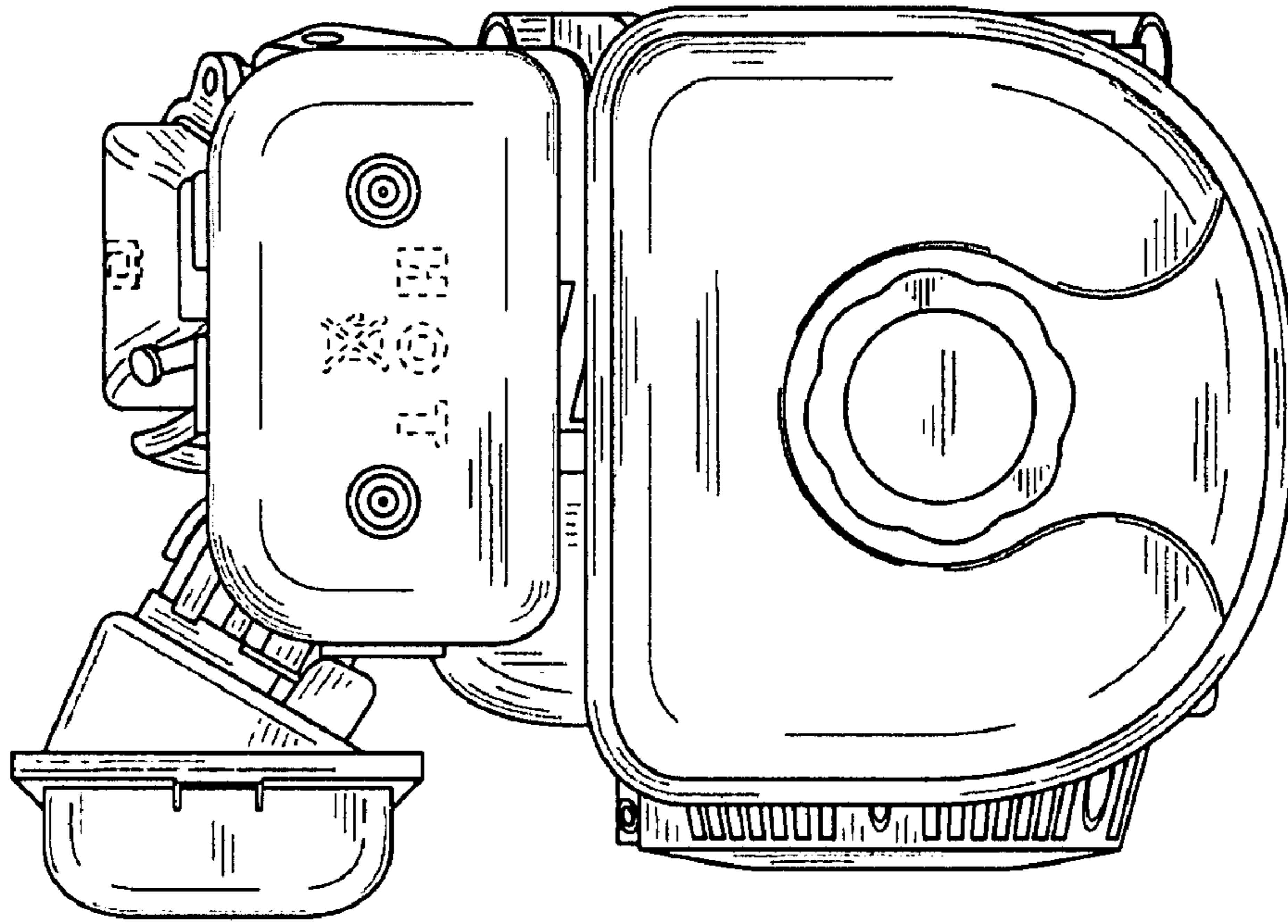


FIG. 3

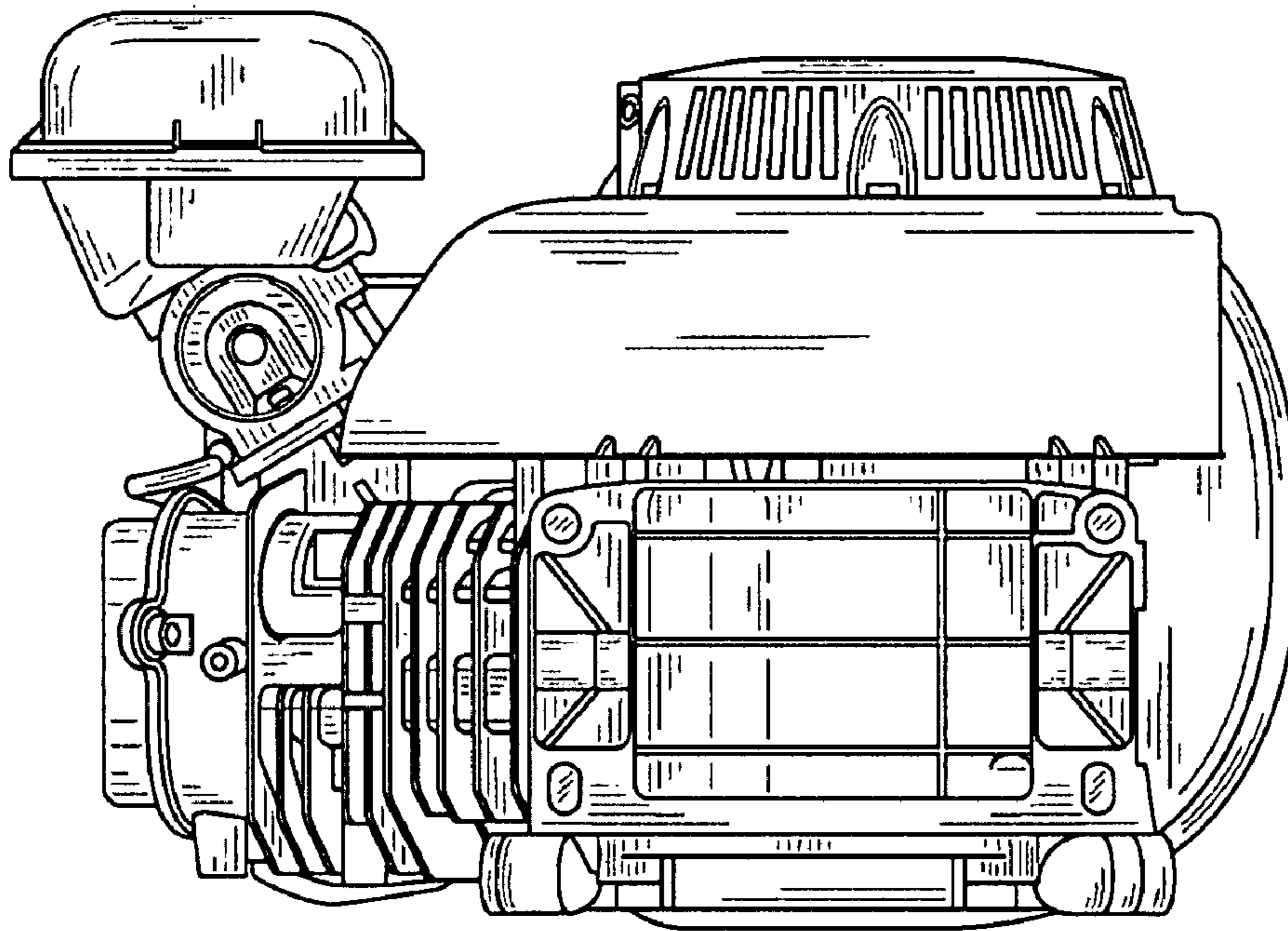


FIG. 4

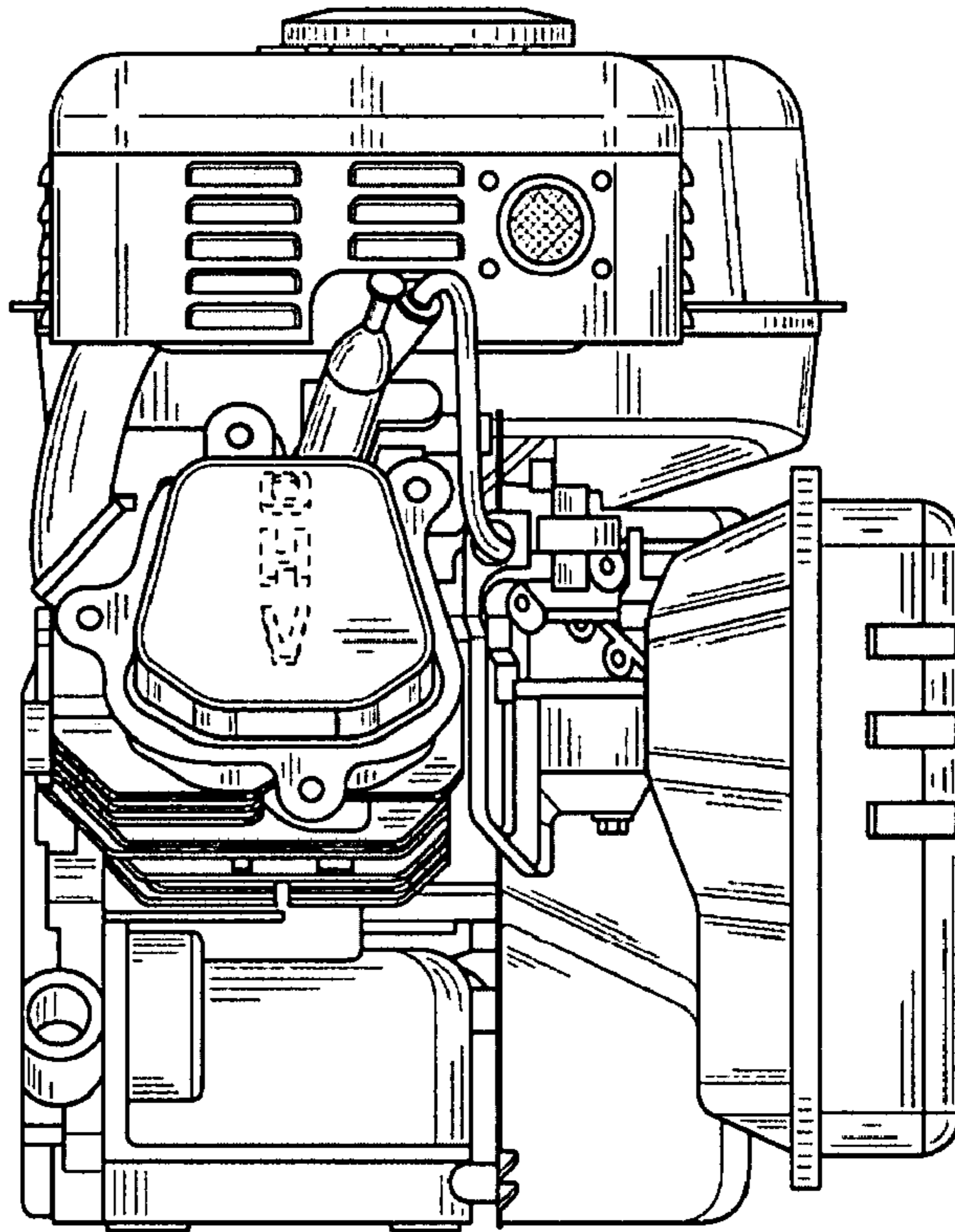


FIG. 5

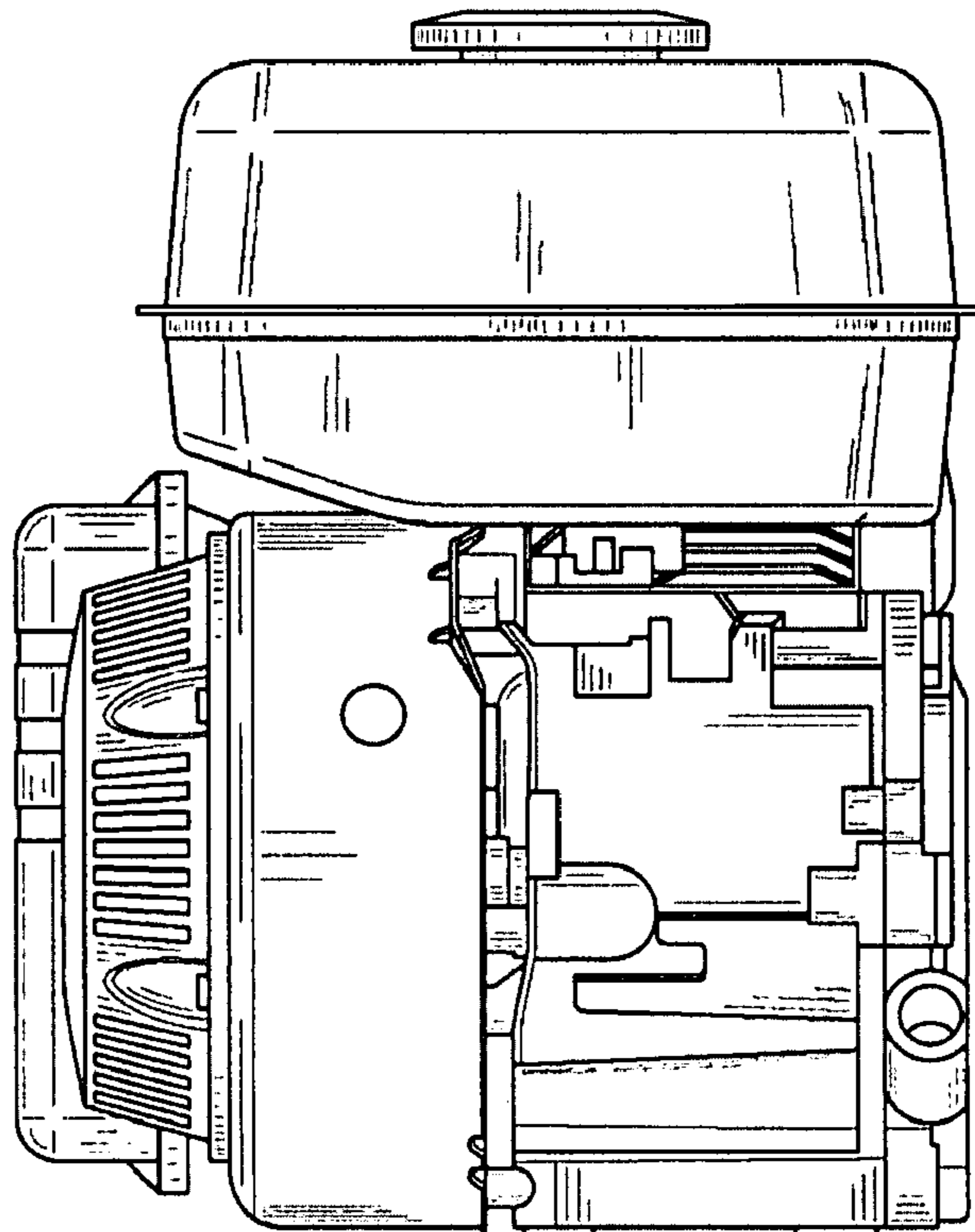


FIG. 6

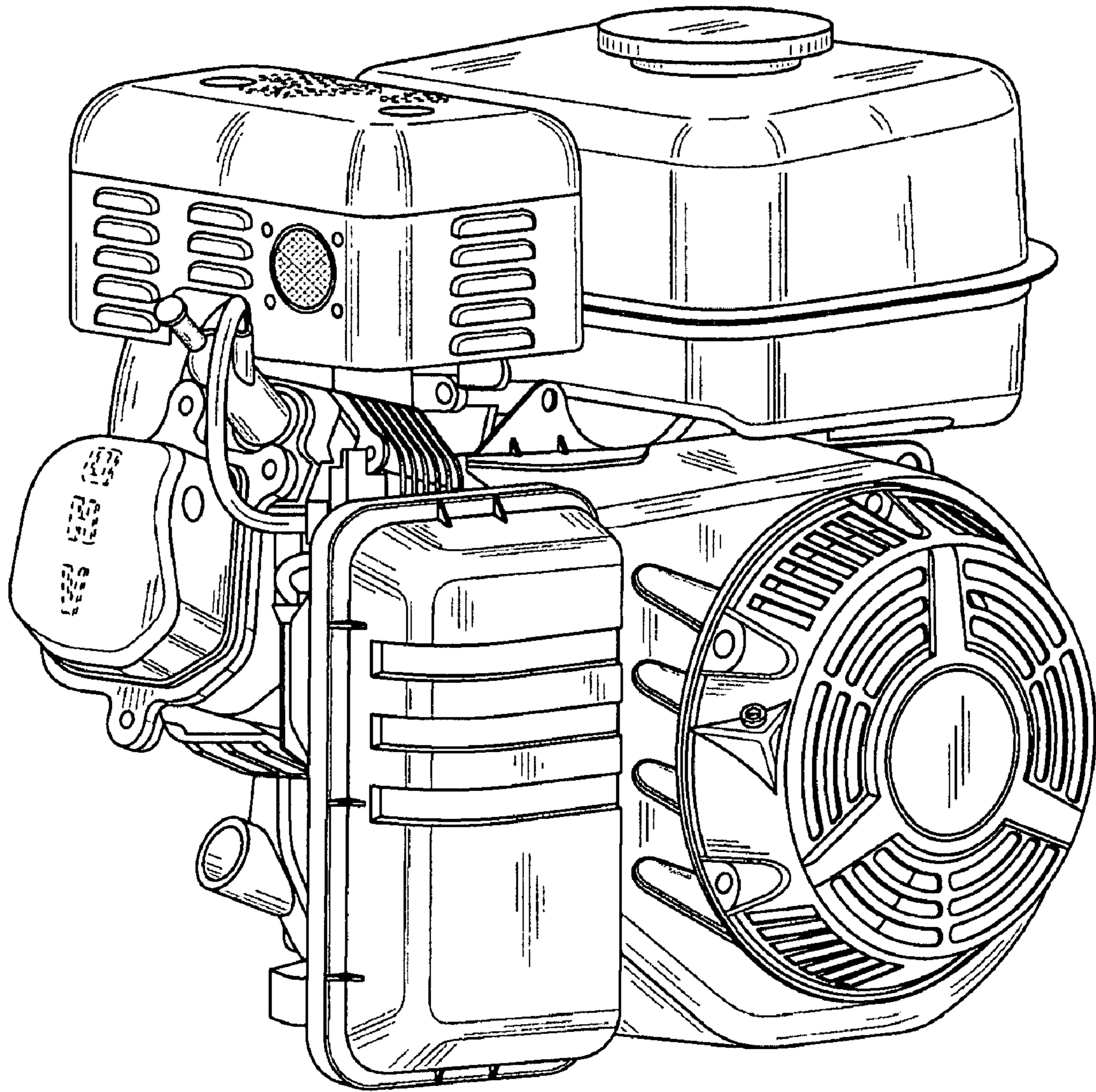


FIG. 7