



US00D561782S

(12) **United States Design Patent**  
**Kim**

(10) **Patent No.:** **US D561,782 S**

(45) **Date of Patent:** **\*\* Feb. 12, 2008**

(54) **MP3 PLAYER**

(75) **Inventor:** **Yong Seock Kim**, Gyeonggi-do (KR)

(73) **Assignee:** **LG Electronics Inc.**, Seoul (KR)

(\*\*) **Term:** **14 Years**

(21) **Appl. No.:** **29/271,689**

(22) **Filed:** **Jan. 25, 2007**

(30) **Foreign Application Priority Data**

Jul. 27, 2006 (KR) ..... 30-2006-0031664

(51) **LOC (8) Cl.** ..... **14-03**

(52) **U.S. Cl.** ..... **D14/496**

(58) **Field of Classification Search** ..... D14/496,  
D14/401, 435, 474, 483, 217, 137, 138, 160,  
D14/168; 345/156, 169, 173-179, 905; 715/727-729,  
715/864; 455/11.1, 7, 73, 344-347, 93, 95;  
370/342-344; 369/1, 2, 6, 12; 463/43-47;  
273/148 B

See application file for complete search history.

(56) **References Cited**

**U.S. PATENT DOCUMENTS**

6,122,526 A \* 9/2000 Parulski et al. .... 455/556.1  
D489,052 S \* 4/2004 Shiraki et al. .... D14/156  
D494,188 S \* 8/2004 Huang ..... D14/496

6,825,832 B2 \* 11/2004 Chung et al. .... 345/168  
6,977,675 B2 \* 12/2005 Kotzin ..... 348/208.2  
D514,589 S \* 2/2006 Chen ..... D14/496  
D519,523 S \* 4/2006 Chiu et al. .... D14/496  
D532,018 S \* 11/2006 Lee ..... D14/496  
D532,425 S \* 11/2006 Kim ..... D14/496  
7,258,449 B2 \* 8/2007 Chong et al. .... 353/85

\* cited by examiner

*Primary Examiner*—Prabhakar Deshmukh

(74) *Attorney, Agent, or Firm*—Birch, Stewart, Kolasch & Birch, LLP

(57) **CLAIM**

The ornamental design for a MP3 player, as shown and described.

**DESCRIPTION**

FIG. 1 is a perspective view of a MP3 player showing my new design;

FIG. 2 is a front view thereof;

FIG. 3 is a rear view thereof;

FIG. 4 is a left side view thereof;

FIG. 5 is a right side view thereof;

FIG. 6 is a top plan view thereof; and,

FIG. 7 is a bottom plan view thereof.

**1 Claim, 6 Drawing Sheets**

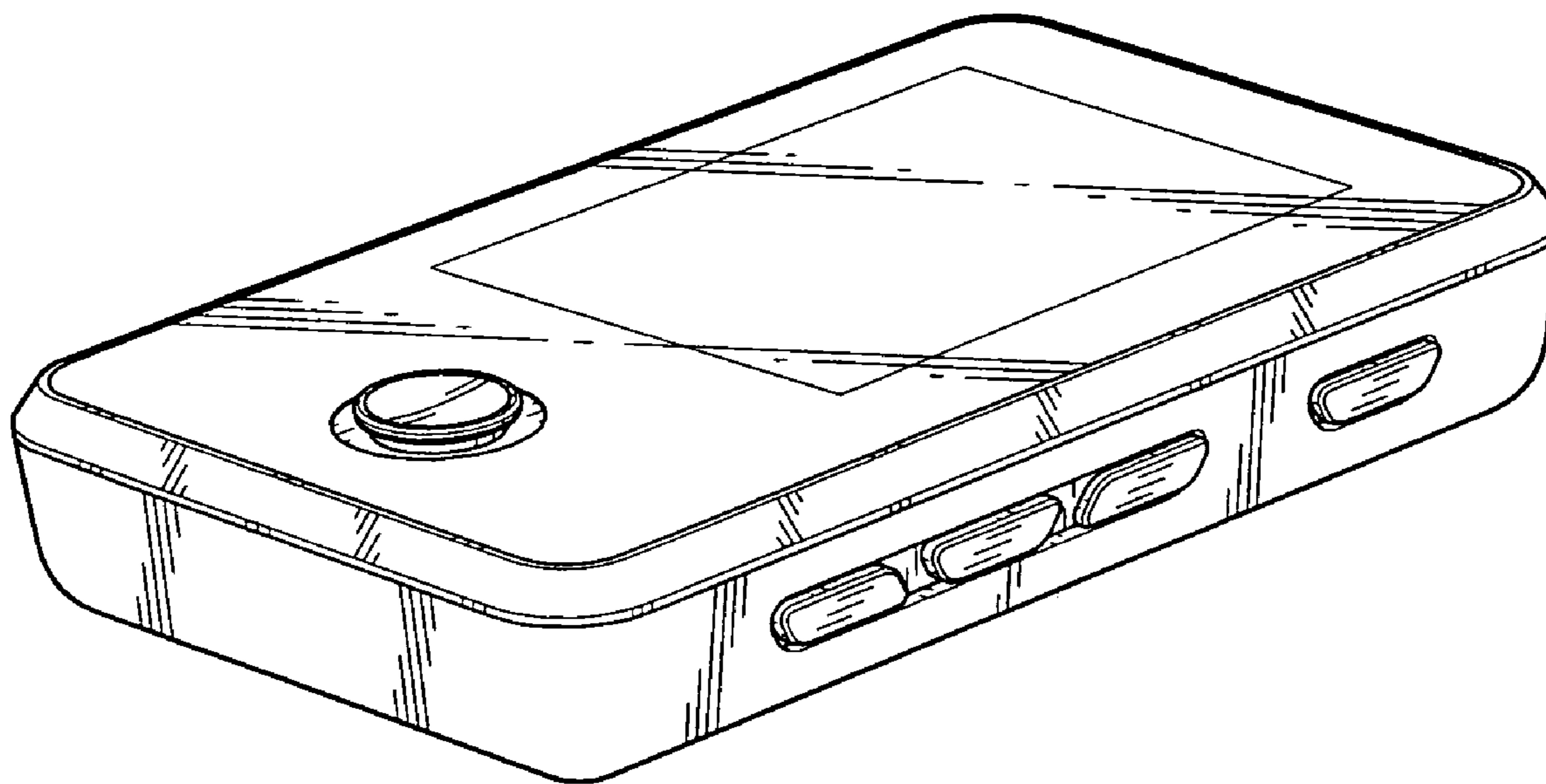


FIG. 1

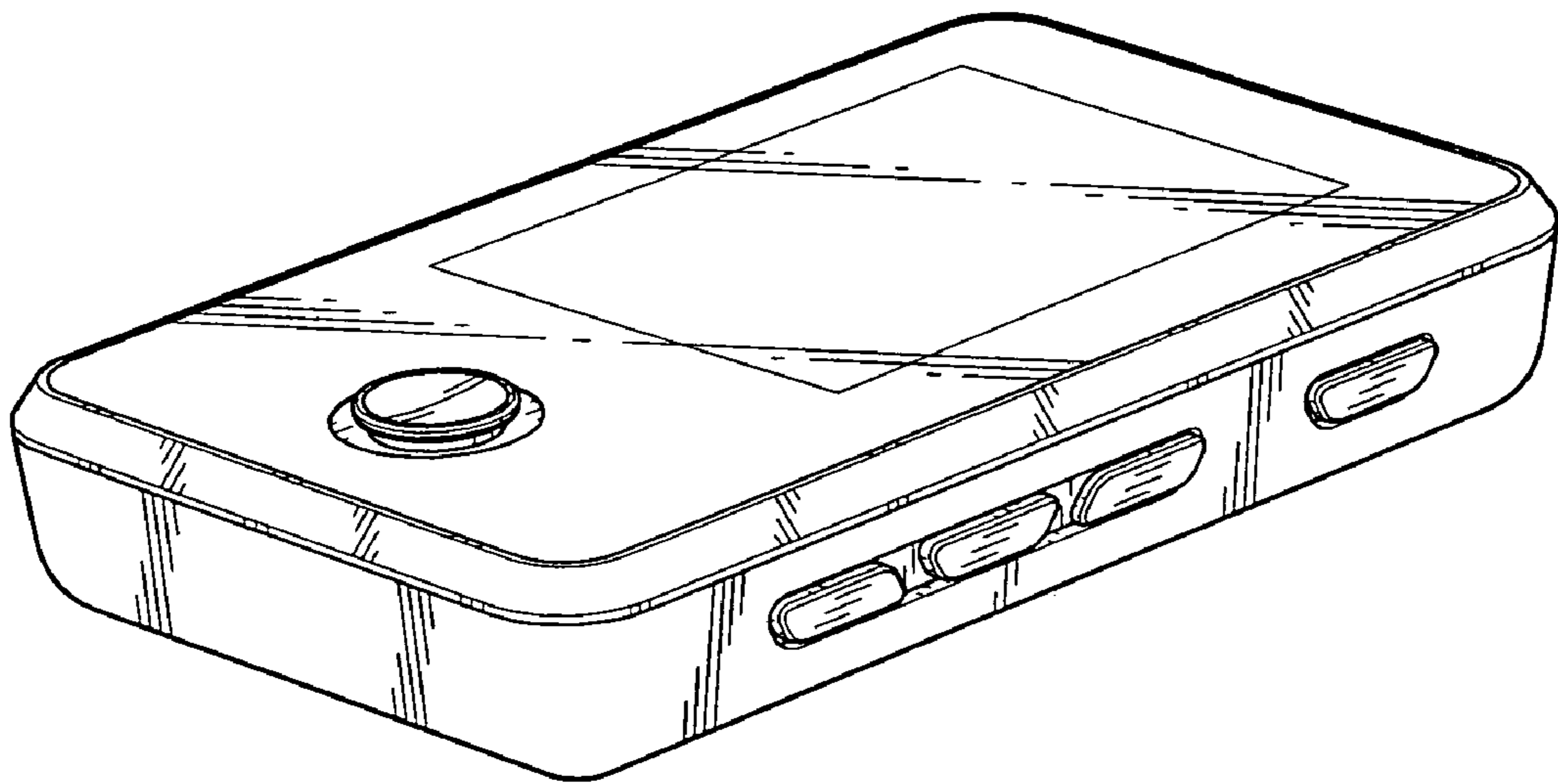


FIG. 2

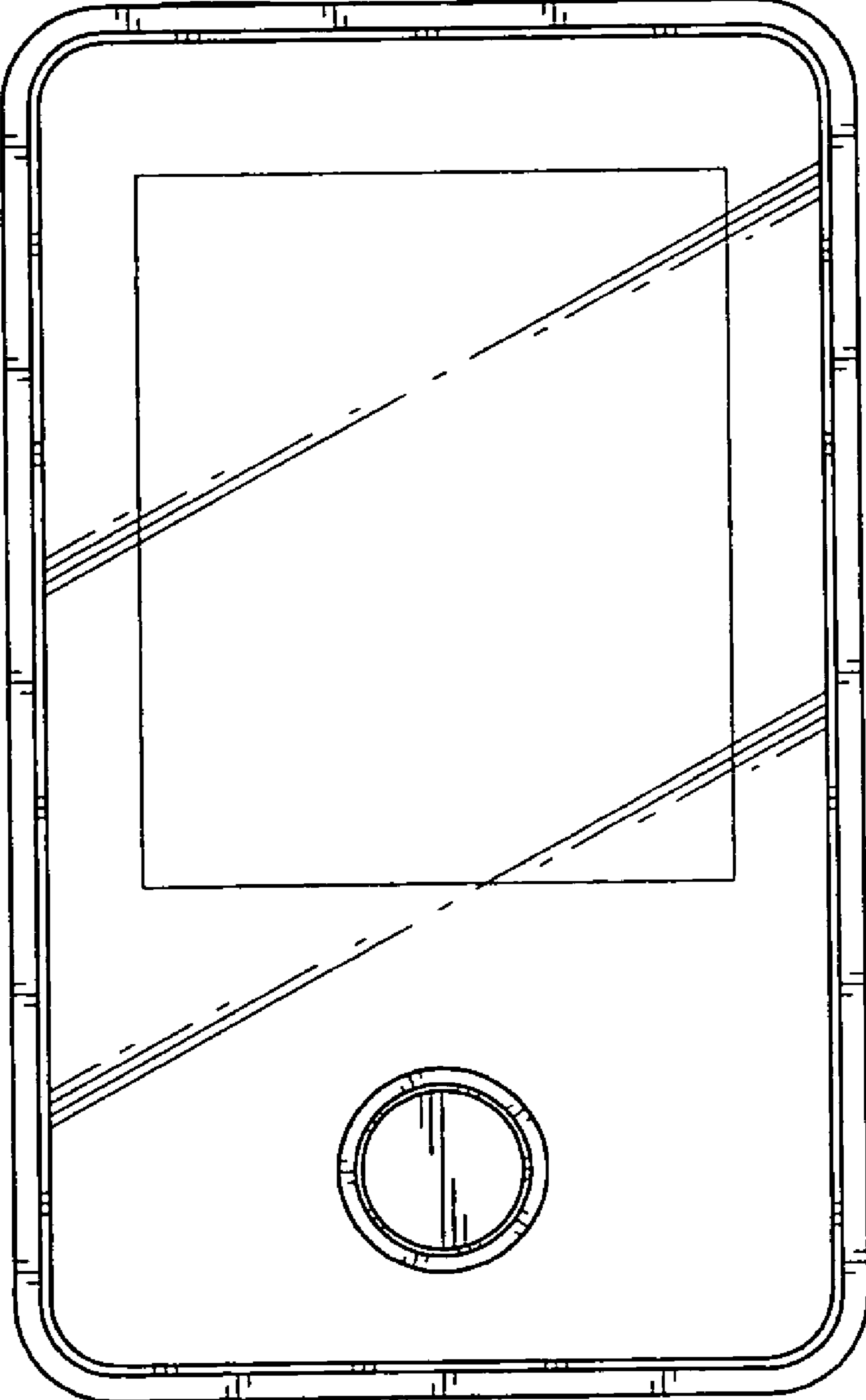


FIG. 3

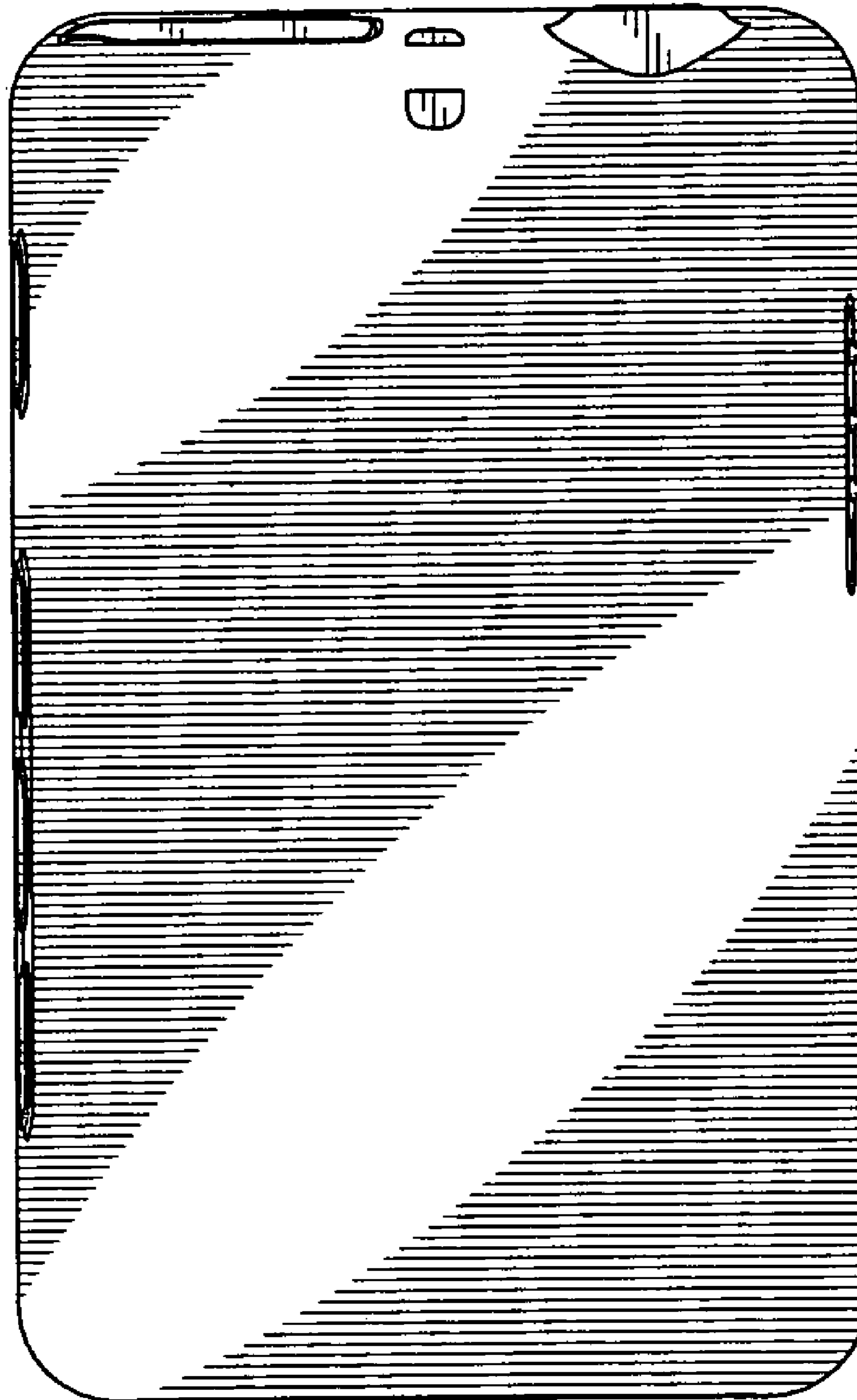


FIG. 4

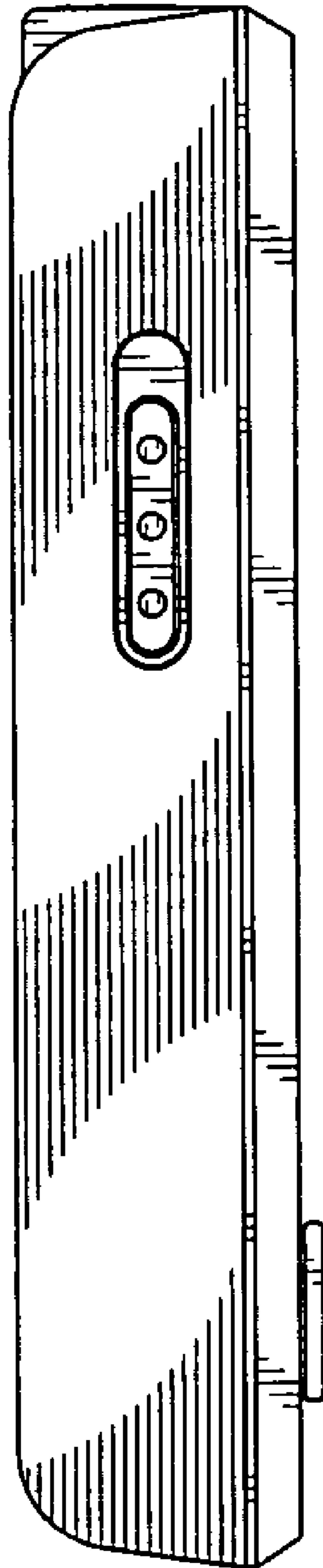
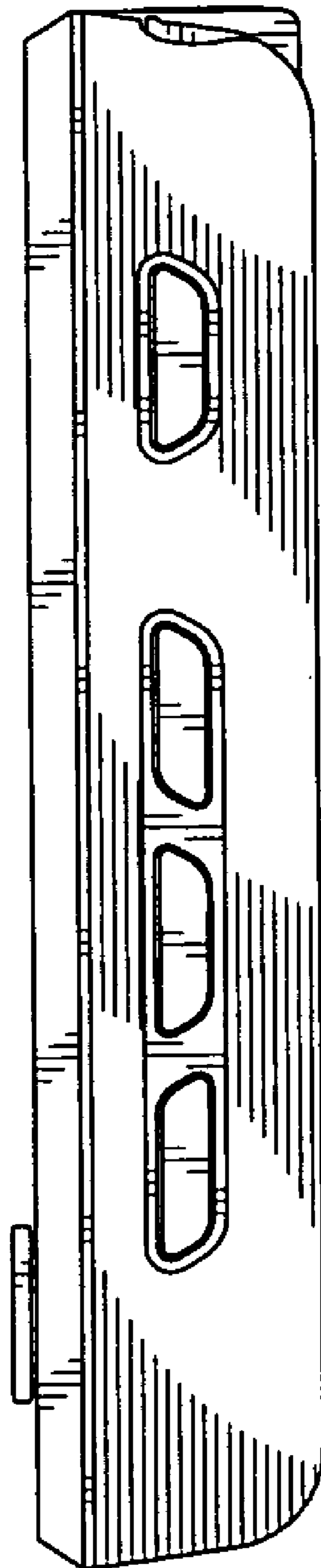
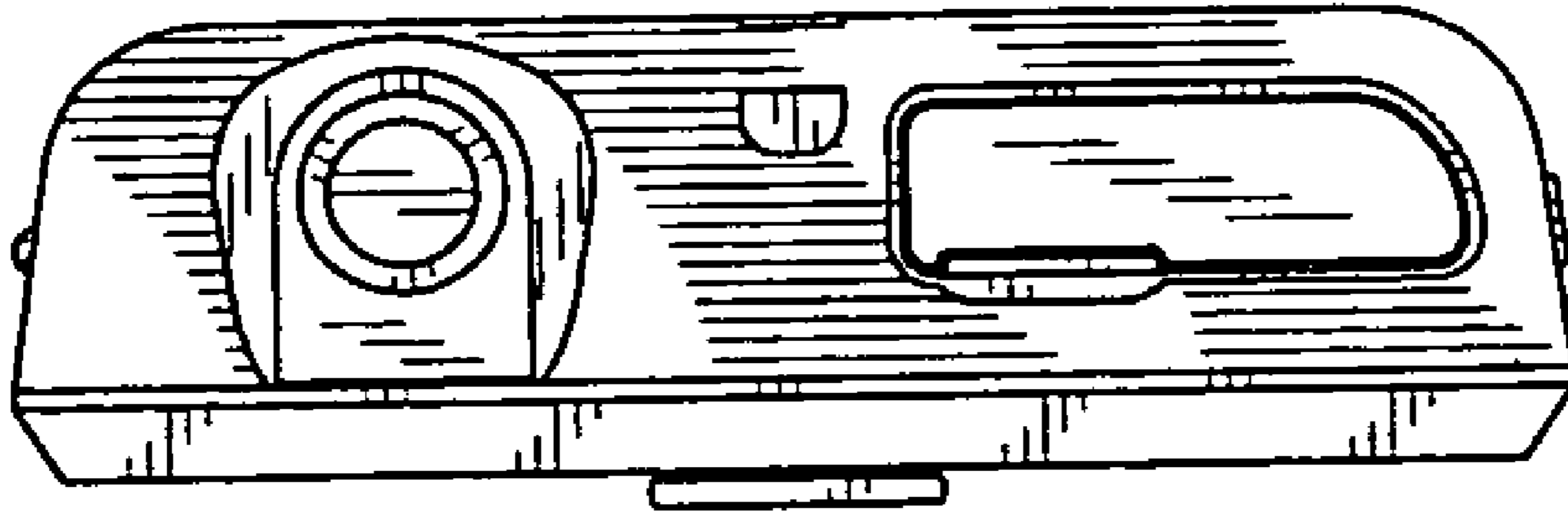


FIG. 5



**FIG. 6**



**FIG. 7**

