

US00D561775S

(12) **United States Design Patent** (10) **Patent No.:** **US D561,775 S**
Wohlford et al. (45) **Date of Patent:** **** Feb. 12, 2008**

(54) **TILT ADJUSTABLE MOUNTING BRACKET FOR ELECTRONIC DISPLAY**

2007/0181762 A1* 8/2007 Dittmer 248/274.1

(75) Inventors: **Jim Wohlford**, Savage, MN (US);
Steven Durkee, Savage, MN (US);
Nathan Bohl, Savage, MN (US)

OTHER PUBLICATIONS
LCD Accessories, Apr. 26, 2005, http://web.archive.org/web/20050426105125/http://www.goelectronic.com/Merchant2/merchant.mvc?Screen=CTGY&Category_Code=LCD+Accessories.*
Mounts by PDR, A Division of David Engineering, *Panel Display Pivot Mount*, pp. 4.

(73) Assignee: **CSAV, Inc.**, Savage, MN (US)

(**) Term: **14 Years**

(Continued)

(21) Appl. No.: **29/268,150**

Primary Examiner—Cathron Brooks
Assistant Examiner—Angela J Lee
(74) *Attorney, Agent, or Firm*—Patterson. Thuente, Skaar & Christensen, PA

(22) Filed: **Oct. 31, 2006**

(51) **LOC (8) Cl.** **14-03**

(52) **U.S. Cl.** **D14/451**

(58) **Field of Classification Search** D14/129,
D14/209, 217, 224, 237, 238, 239, 432, 439,
D14/447, 448, 451, 452; D6/449, 513; D8/349,
D8/354, 355, 363, 373, 380, 387, 388, 389;
D16/235, 242; 248/176.1, 201, 205.1, 220.21,
248/223.31, 231.9, 274.1, 276.1, 281.11,
248/284.1, 286.1, 309.1, 323, 324, 349.1,
248/371, 398, 425, 638, 917, 918, 919, 920,
248/921, 922, 923, 924; 348/825, 827, 836
See application file for complete search history.

(57) **CLAIM**

We claim the ornamental design for tilt adjustable mounting bracket for electronic display, as shown.

(56) **References Cited**

DESCRIPTION

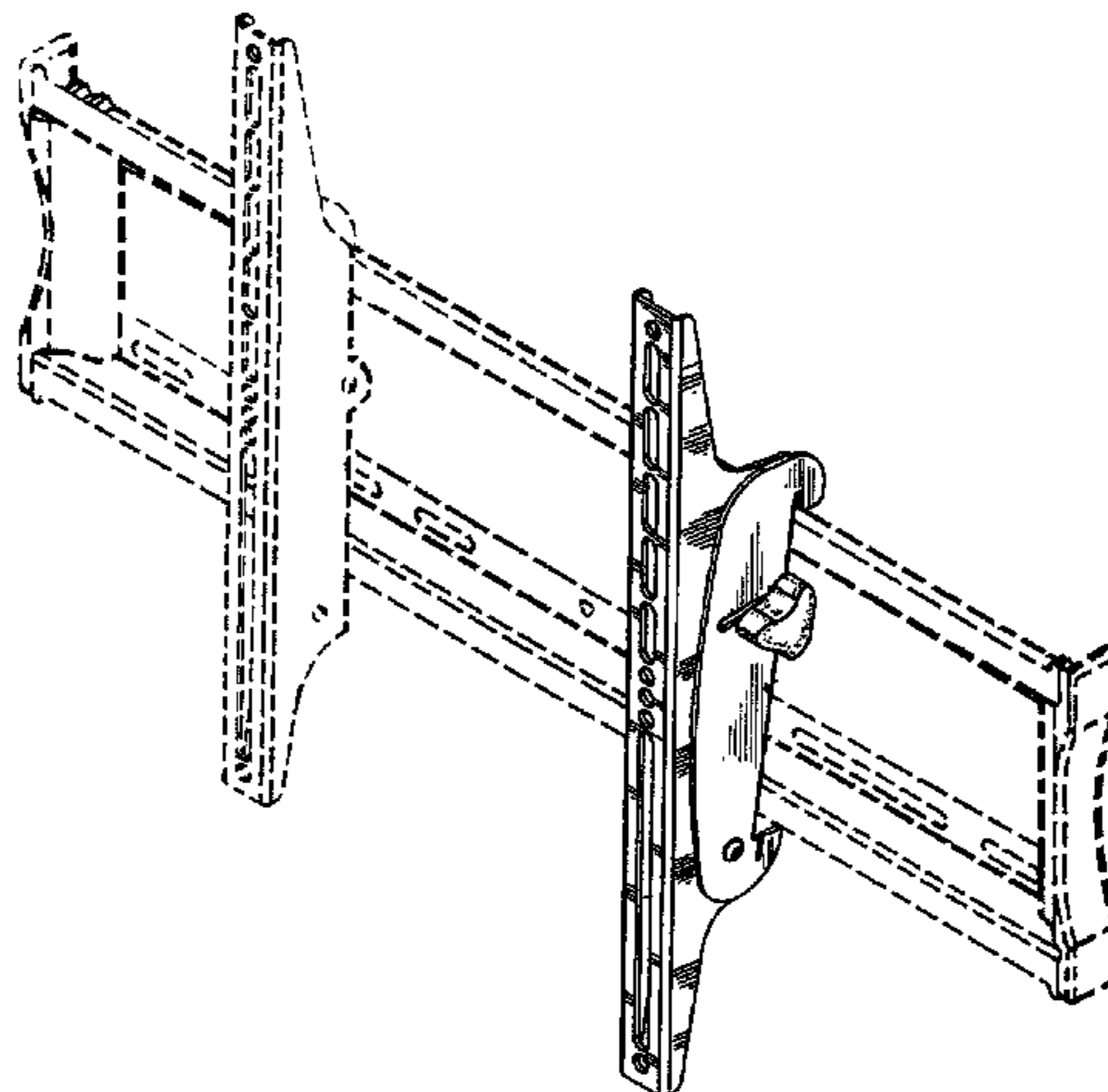
U.S. PATENT DOCUMENTS

6,102,348	A	8/2000	O'Neill	
D493,800	S *	8/2004	Pfister et al.	D14/451
D494,596	S	8/2004	Pfister	
D495,713	S *	9/2004	Pfister et al.	D14/451
D503,331	S *	3/2005	Sjoberg	D8/363
6,923,413	B2	8/2005	Dozier	
D512,903	S *	12/2005	Gallien	D8/349
D532,290	S *	11/2006	David	D8/373
7,178,775	B2 *	2/2007	Pfister et al.	248/292.14
D538,632	S *	3/2007	Ly Hau et al.	D8/363
D539,126	S *	3/2007	Stenhouse et al.	D8/373
2004/0245420	A1 *	12/2004	Pfister et al.	248/289.11
2006/0065800	A1 *	3/2006	Bremmon	248/274.1
2007/0041150	A1 *	2/2007	Short et al.	361/681
2007/0176067	A1 *	8/2007	Monaco	248/284.1

FIG. 1 is a front perspective view of a tilt adjustable mounting bracket for electronic display;
FIG. 2 is a side elevation view of the tilt adjustable mounting bracket for electronic display depicted in FIG. 1;
FIG. 3 is rear elevation view of the tilt adjustable mounting bracket for electronic display depicted in FIG. 1;
FIG. 4 is front elevation view of the tilt adjustable mounting bracket for electronic display depicted in FIG. 1;
FIG. 5 is an opposing side elevation view of the tilt adjustable mounting bracket for electronic display depicted in FIG. 1;
FIG. 6 is a top plan view of the tilt adjustable mounting bracket for electronic display depicted in FIG. 1; and,
FIG. 7 is a bottom plan view of the tilt adjustable mounting bracket for electronic display depicted in FIG. 1.

The broken line showing of the left tilt adjustable mounting bracket and a mount is included for the purpose of illustrating environmental structure and forms no part of the claimed design.

1 Claim, 2 Drawing Sheets



OTHER PUBLICATIONS

FIMCO, *Wall Mount Kit for Plasma TV Screens*, Nov. 2003, pp. 12.

PEERLESS, *SmartMount™ Universal Tilt Wall Mount for 32" to 50" Plasma and LCD Flat Panel Screens*, 2006, pp. 2.

PEERLESS, *SmartMount™ Universal Tilt Wall Mount for 61" to 102" Plasma and LCD Flat Panel Screens*, 2006, pp. 2.

PEERLESS, *SmartMount™ Universal Tilt Wall Mount for 42" to 71" Plasma and LCD Flat Panel Screens*, 2006, pp. 2.

PEERLESS, *SmartMount™ Universal Tilt Wall Mount for 32" to 60" Plasma and LCD Flat Panel Screens*, 2006, pp. 2.

PEERLESS, *SmartMount™ Universal Tilt Wall Mount for 23" to 46" LCD Flat Panel Screens*, 2006, pp. 2.

PEERLESS, *SmartMount™ Universal Flat Wall Mount for 61" to 102" Plasma and LCD Flat Panel Screens*, 2006, pp. 2.

PEERLESS, *SmartMount™ Universal Flat Wall Mount for 42" to 71" Plasma and LCD Flat Panel Screens*, 2006, pp. 2.

PEERLESS, *SmartMount™ Universal Flat Wall Mount for 32" to 60" Plasma and LCD Flat Panel Screens*, 2006, pp. 2.

PEERLESS, *SmartMount™ Universal Flat Wall Mount for 23" to 46" LCD Flat Panel Screens*, 2006, pp. 2.

PEERLESS, *SmartMount™ Universal Tilt Wall Mount for 22" to 49" Screens*, Mar. 31, 2005, pp. 12.

VIEWSONIC, *Mount*, 2005, pp. 1.

HITACHI, *Mount*, 2005, pp. 1.

* cited by examiner

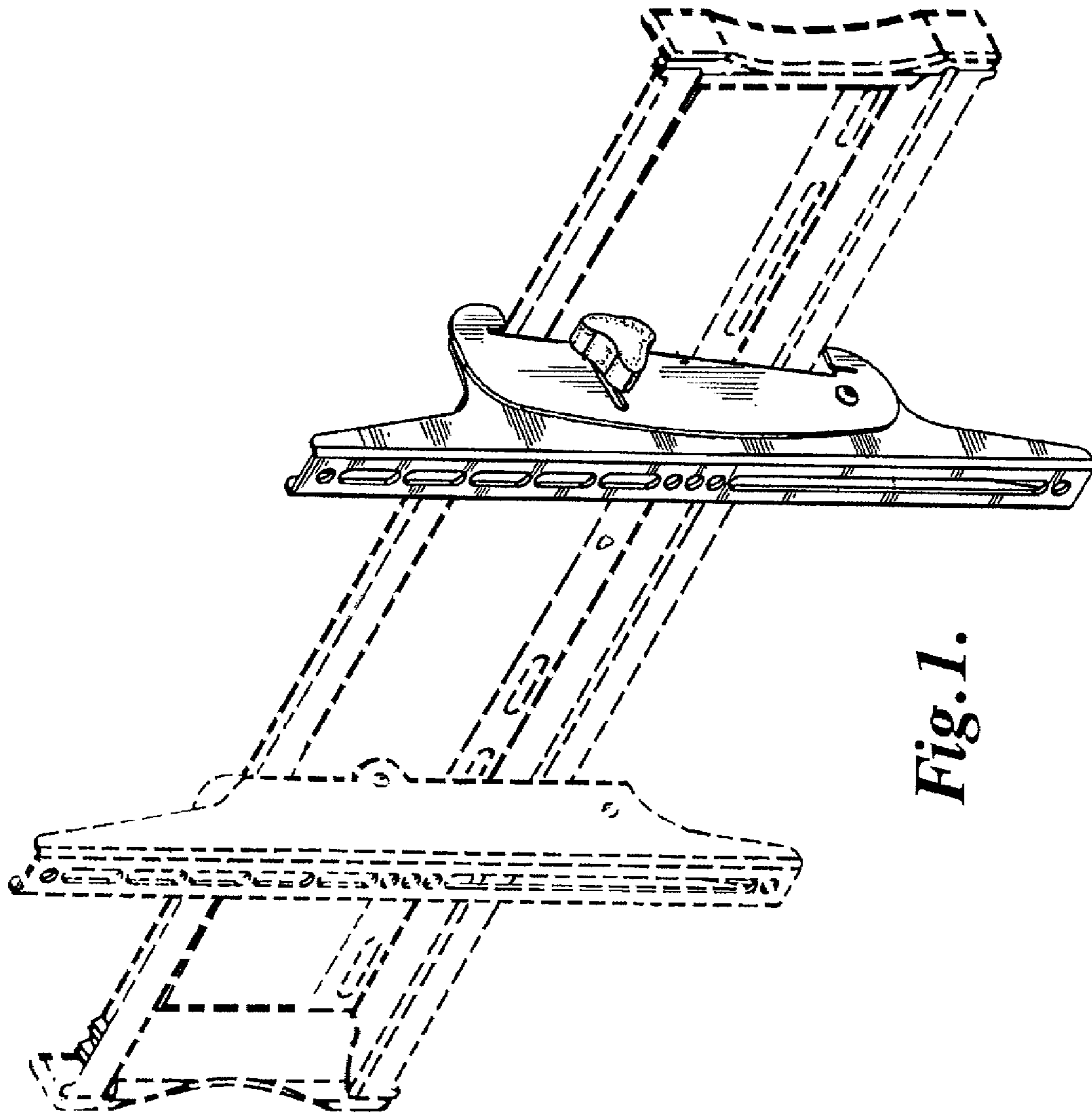


Fig. 1.

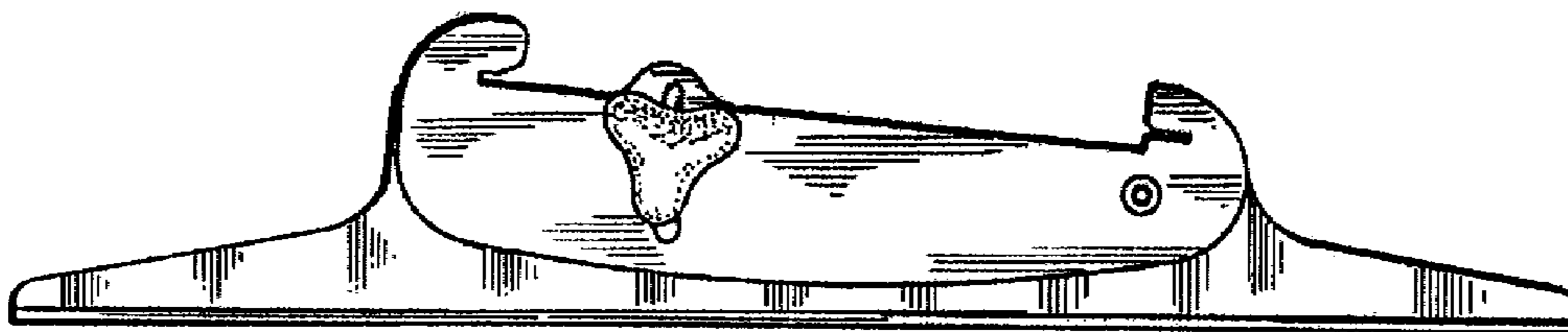


Fig. 2.

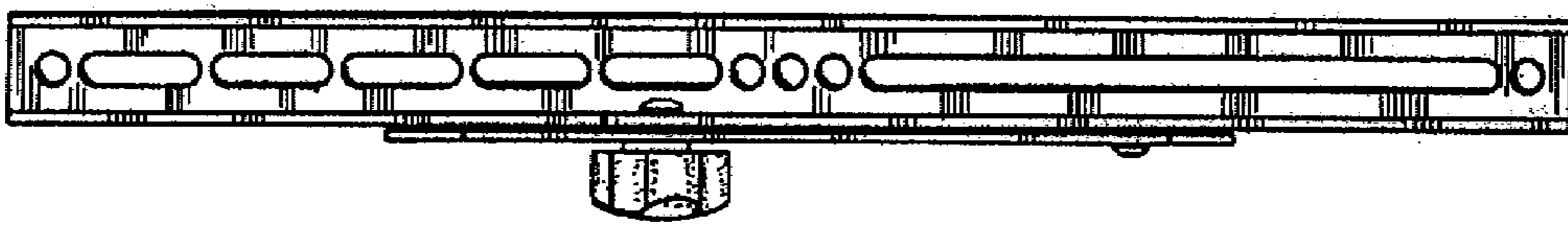


Fig. 3.

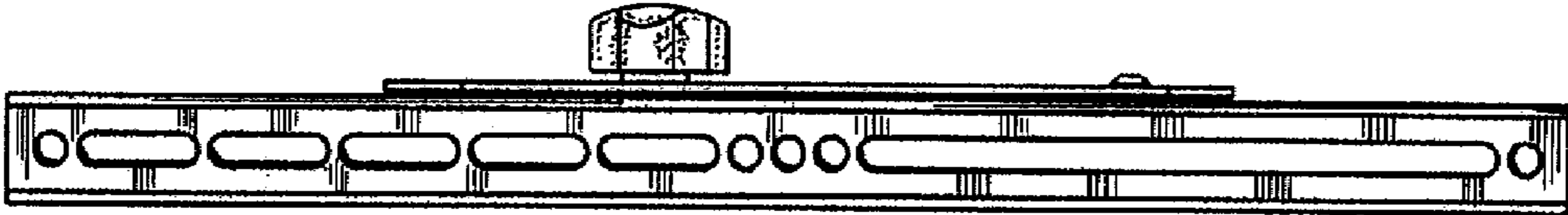


Fig. 4.

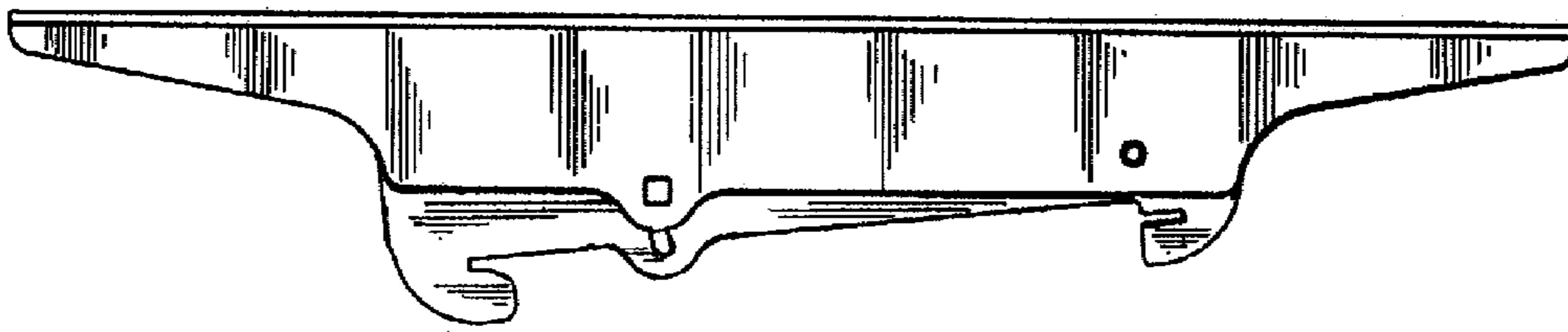


Fig. 5.

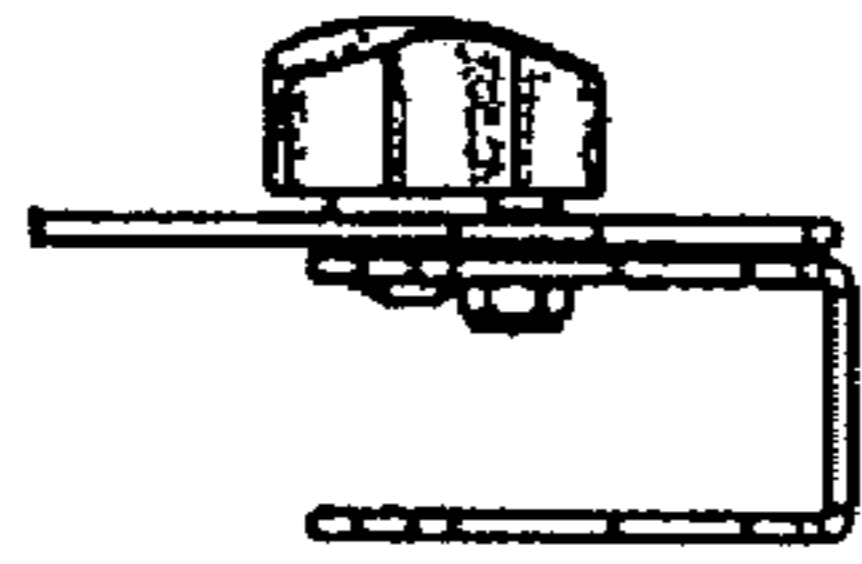


Fig. 6.

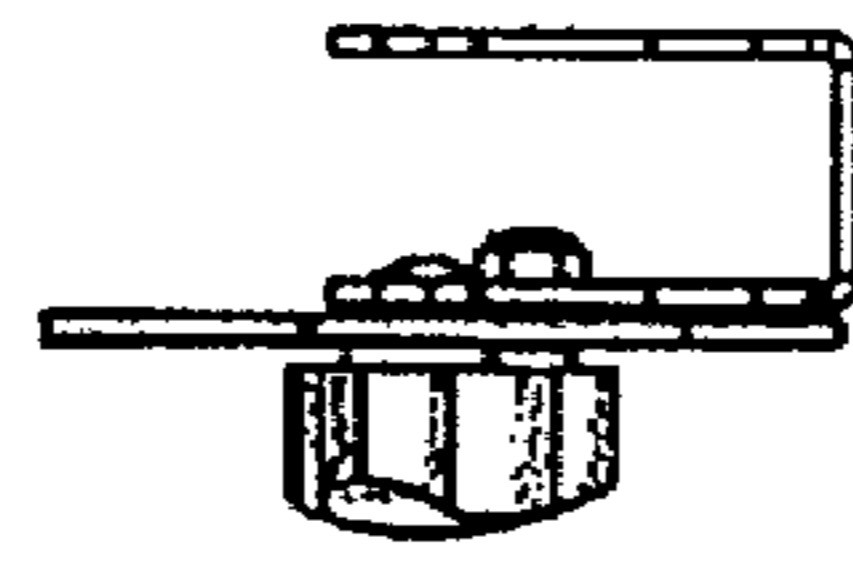


Fig. 7.