

US00D561768S

(12) **United States Design Patent**  
**Xu et al.**

(10) **Patent No.:** **US D561,768 S**  
(45) **Date of Patent:** **\*\* Feb. 12, 2008**

(54) **FRONT BEZEL FOR COMPUTER ENCLOSURE**

(75) Inventors: **Yun-Dong Xu**, Shenzhen (CN);  
**Chun-Chi Liang**, Tu-Cheng (TW);  
**Jiing-Renn Yu**, Tu-cheng (TW)

(73) Assignee: **Hon Hai Precision Industry Co., Ltd.**,  
Tu-Cheng, Taipei Hsien (TW)

(\*\*) Term: **14 Years**

(21) Appl. No.: **29/264,803**

(22) Filed: **Aug. 18, 2006**

(30) **Foreign Application Priority Data**

Jun. 9, 2006 (TW) ..... 95303211

(51) **LOC (8) Cl.** ..... **14-02**

(52) **U.S. Cl.** ..... **D14/444**

(58) **Field of Classification Search** ..... D14/441-446,  
D14/308; D13/162, 184, 199; 312/223.2,  
312/326; 361/680-686, 690-696, 727; 369/14,  
369/34.01, 36.01

See application file for complete search history.

(56) **References Cited**

**U.S. PATENT DOCUMENTS**

D439,255 S \* 3/2001 Jean et al. .... D14/444  
6,478,392 B2 \* 11/2002 Gan et al. .... 312/326

6,603,655 B2 \* 8/2003 Hrehor et al. .... 361/683  
6,798,664 B2 \* 9/2004 Lin et al. .... 361/727  
D500,763 S \* 1/2005 Xiao et al. .... D14/444  
D502,949 S \* 3/2005 Chang ..... D14/444  
D512,429 S \* 12/2005 Su et al. .... D14/444  
D525,255 S \* 7/2006 He ..... D14/444

\* cited by examiner

*Primary Examiner*—Freda S Nunn

(74) *Attorney, Agent, or Firm*—Wei Te Chung

(57) **CLAIM**

The ornamental design for a front bezel for computer enclosure, as shown and described.

**DESCRIPTION**

FIG. 1 is a perspective view of a front bezel for computer enclosure showing our new design;

FIG. 2 is a front elevational view thereof;

FIG. 3 is a left side elevational view thereof;

FIG. 4 is a right side elevational view thereof;

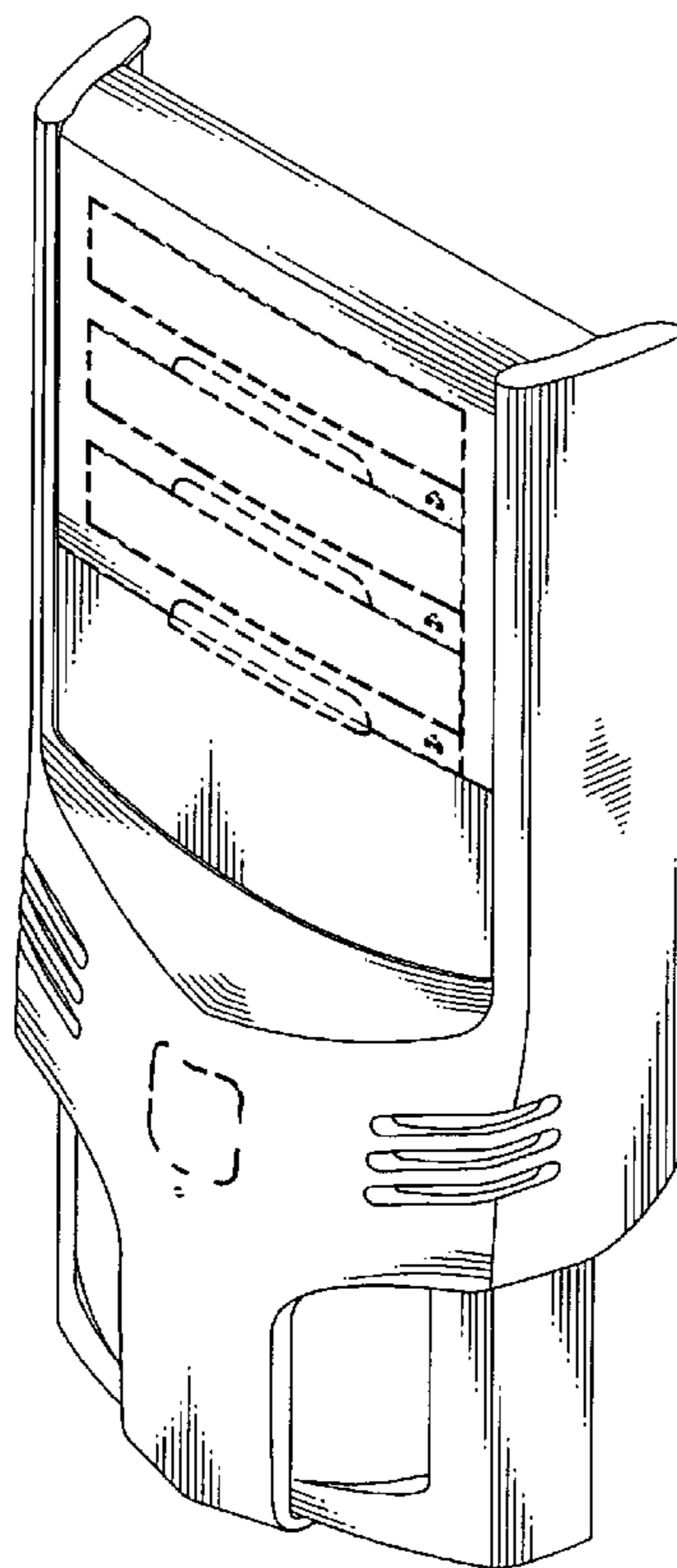
FIG. 5 is a top plan view thereof;

FIG. 6 is a bottom plan view thereof; and,

FIG. 7 is a perspective view thereof being mounted to a computer enclosure.

Broken lines are for illustrative purposes only and form no part of the claimed design.

**1 Claim, 5 Drawing Sheets**



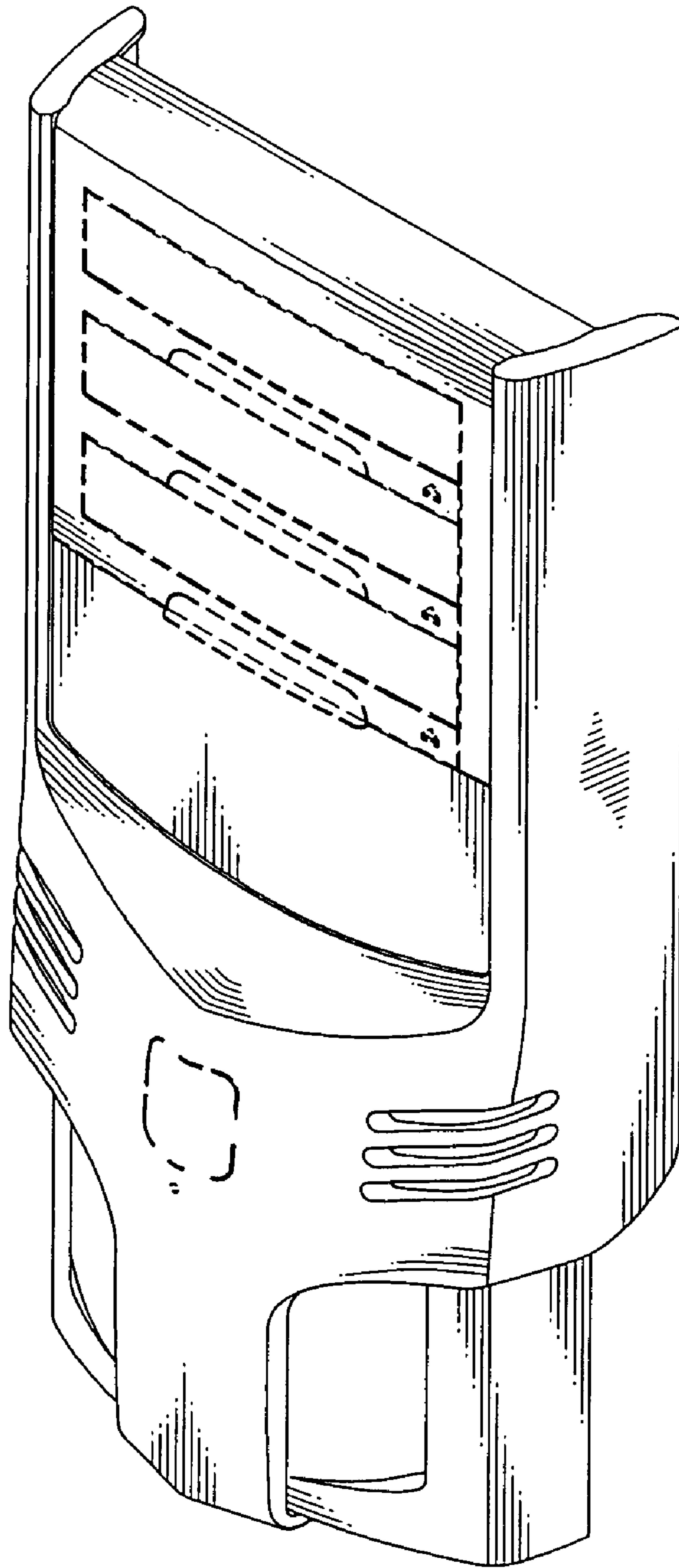


FIG. 1

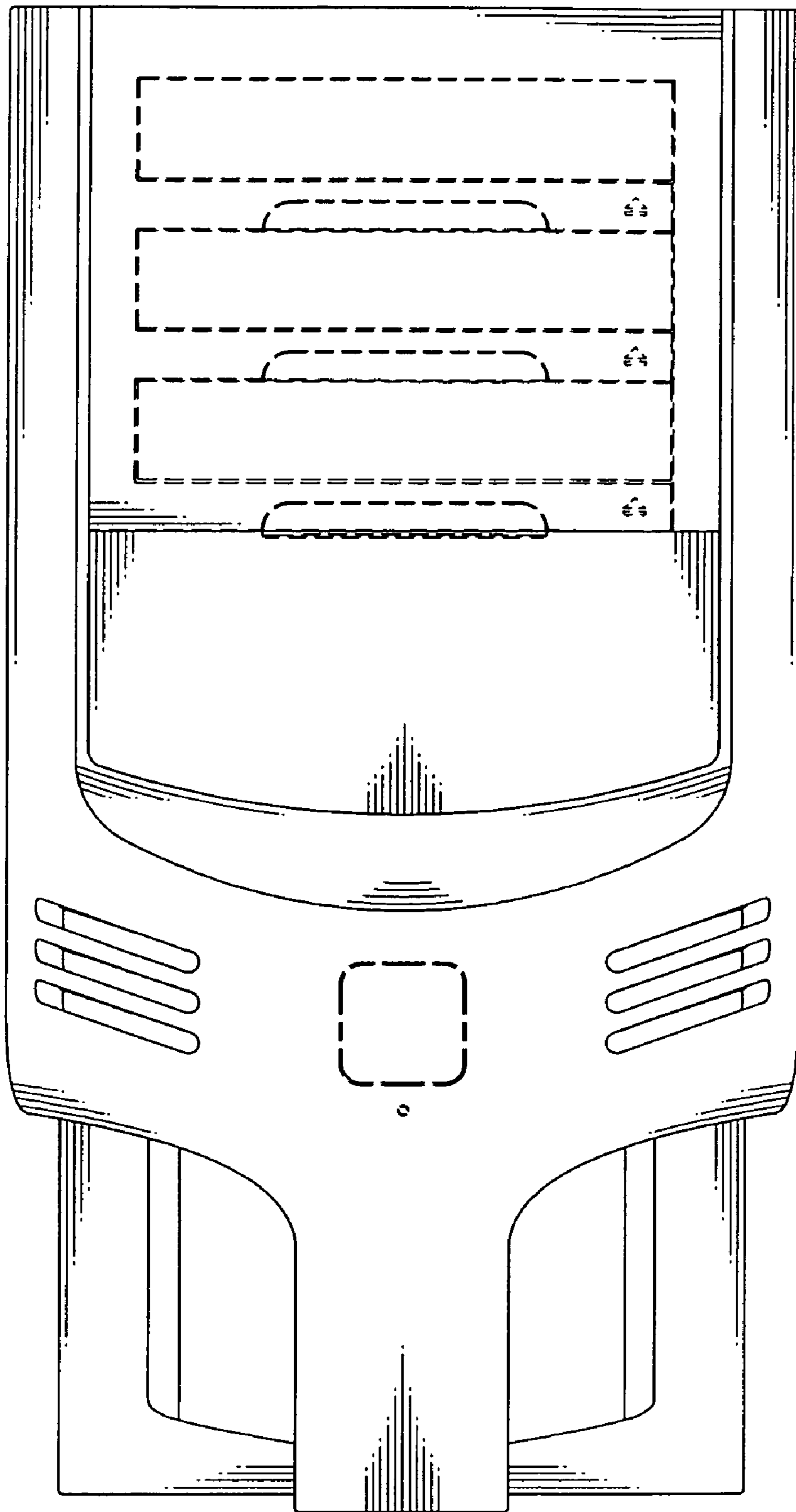


FIG. 2

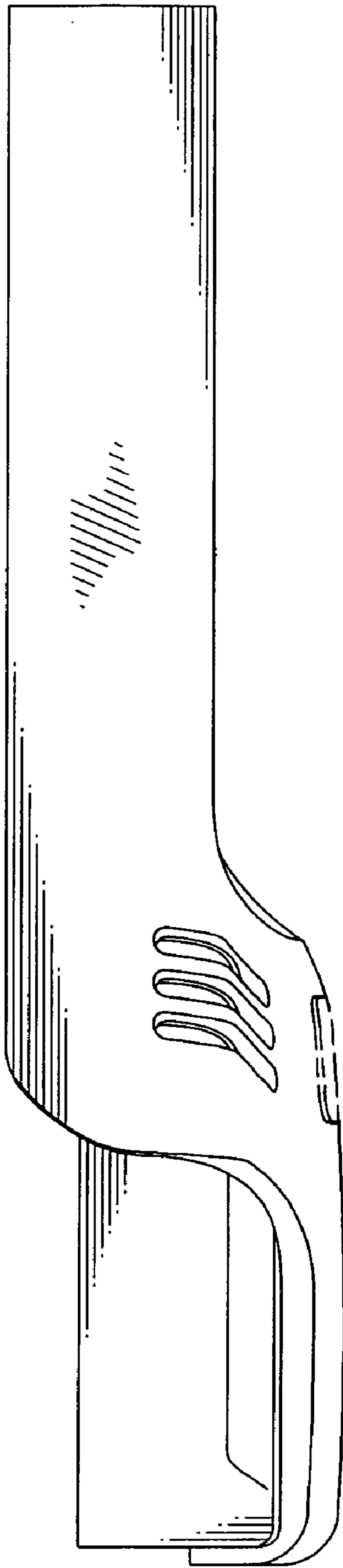


FIG. 3

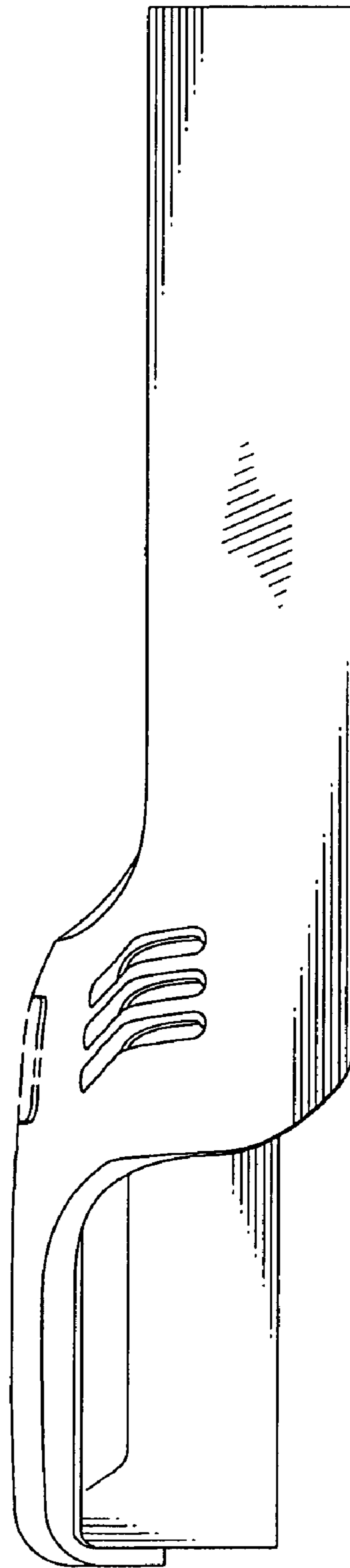


FIG. 4

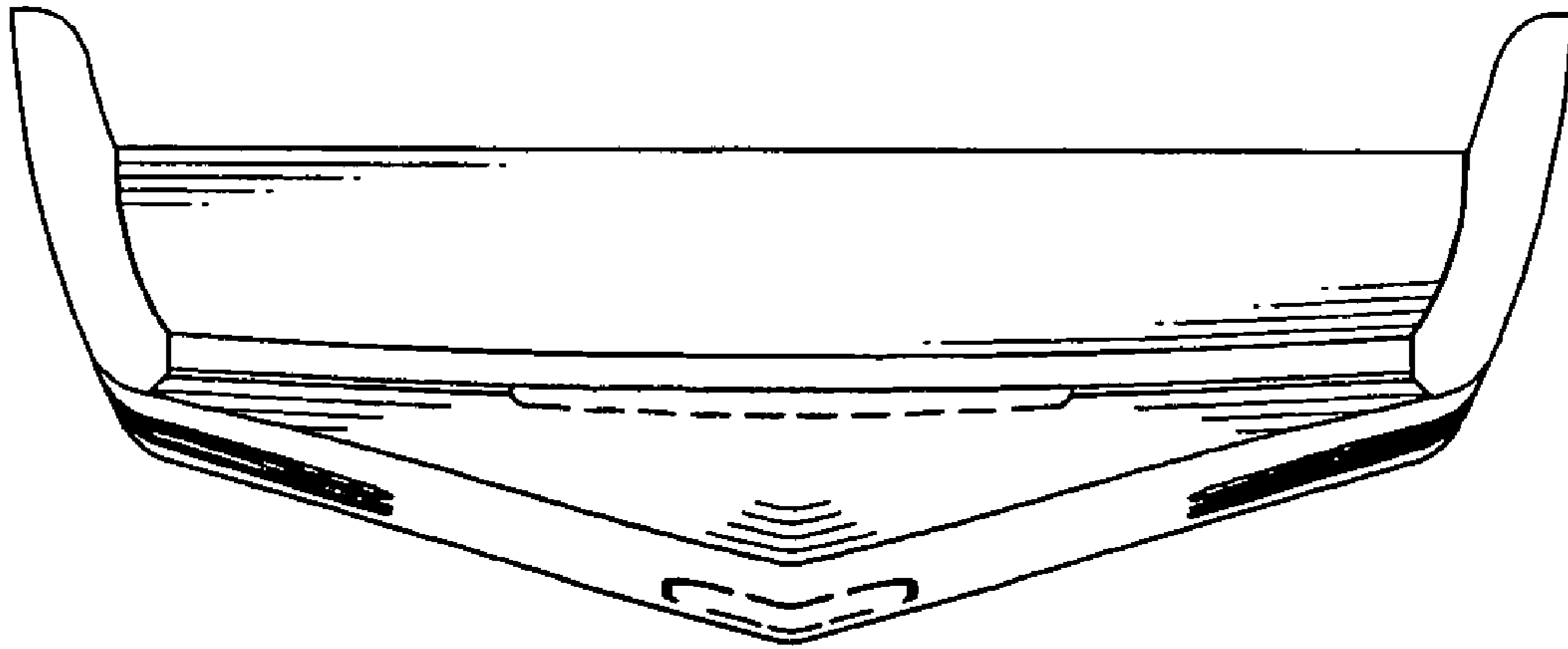


FIG. 5

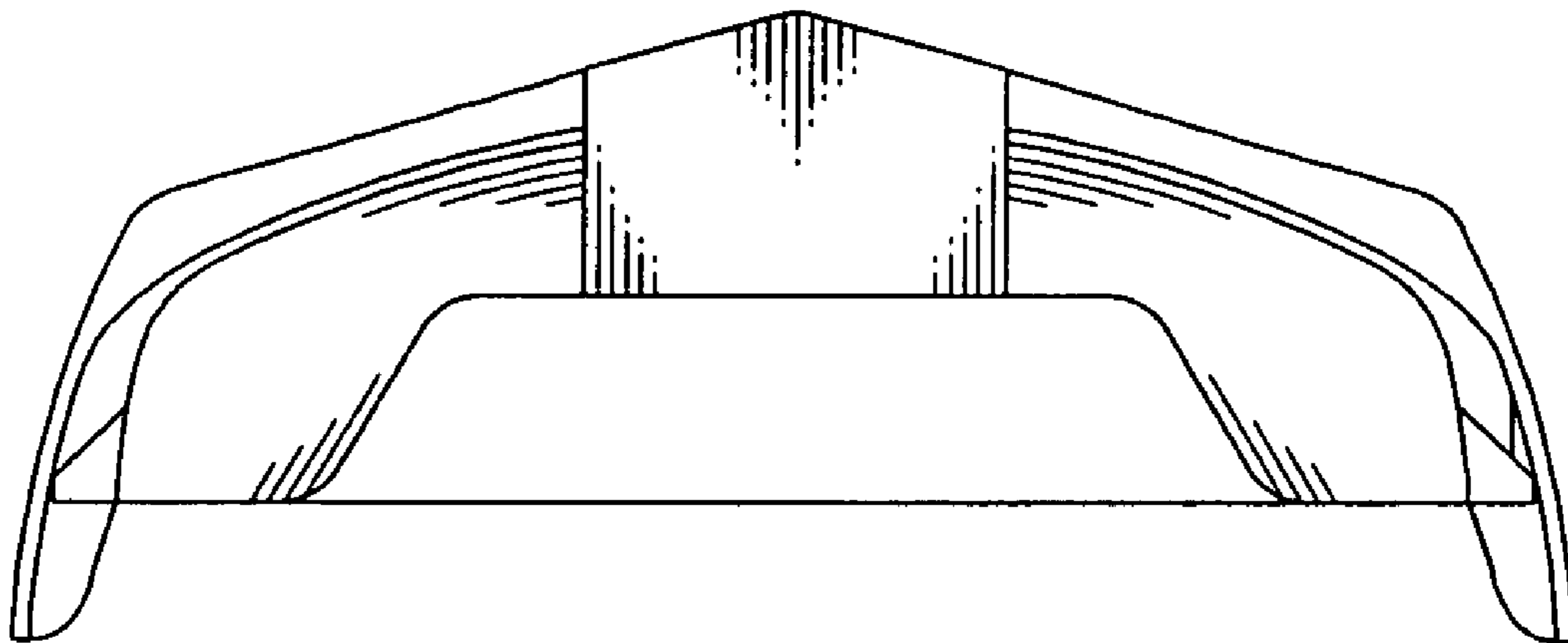


FIG. 6

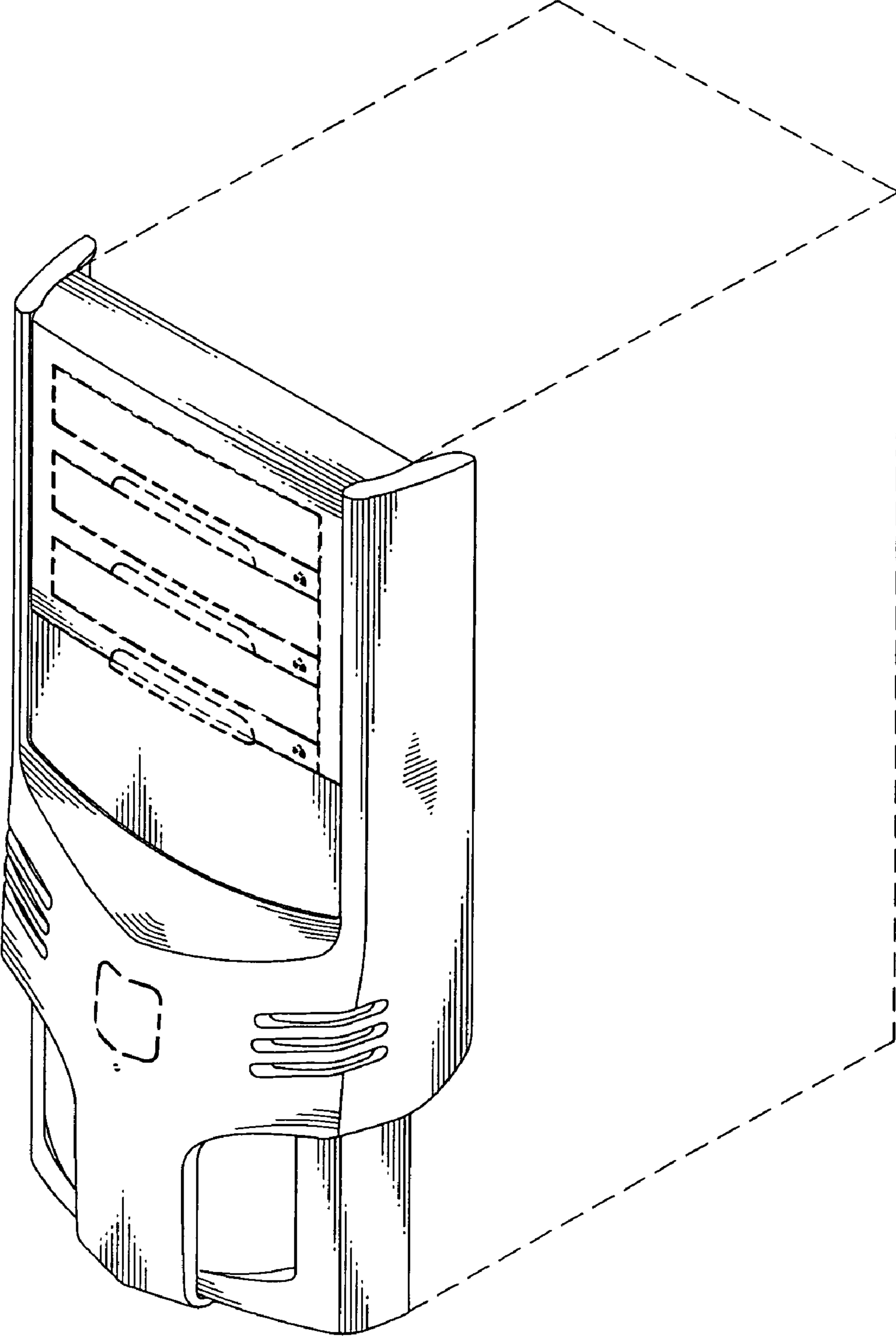


FIG. 7