

US00D561765S

(12) **United States Design Patent** (10) **Patent No.:** **US D561,765 S**
Jie (45) **Date of Patent:** **** Feb. 12, 2008**

(54) **FRONT BEZEL EQUIPPED WITH DISPLAY FOR COMPUTER ENCLOSURE**

D500,043 S * 12/2004 Zhang et al. D14/441
D514,110 S * 1/2006 Liu et al. D14/441

(75) Inventor: **Xiao-Dong Jie**, Shenzhen (CN)

* cited by examiner

(73) Assignee: **Hon Hai Precision Industry Co., Ltd.**,
Tu-Cheng, Taipei Hsien (TW)

Primary Examiner—Freda S Nunn
(74) *Attorney, Agent, or Firm*—Wei Te Chung

(**) Term: **14 Years**

(57) **CLAIM**

(21) Appl. No.: **29/265,157**

The ornamental design for a front bezel equipped with display for computer enclosure, as shown and described.

(22) Filed: **Aug. 25, 2006**

DESCRIPTION

(30) **Foreign Application Priority Data**

Jun. 7, 2006 (CN) 2006 3 0019755

FIG. 1 is a perspective view of a front bezel equipped with display for computer enclosure showing my new design;

(51) **LOC (8) Cl.** **14-02**

FIG. 2 is a front elevational view thereof;

(52) **U.S. Cl.** **D14/441**

FIG. 3 is a left side elevational view thereof;

(58) **Field of Classification Search** D14/441-446,
D14/308, 371; D13/162, 184, 199; 312/223.2,
312/326; 361/680-686, 690-696, 727; 369/14,
369/34.01, 36.01

FIG. 4 is a right side elevational view thereof;

FIG. 5 is a top plan view thereof;

See application file for complete search history.

FIG. 6 is a bottom plan view thereof;

FIG. 7 is a perspective view thereof mounted to a computer enclosure at a reduced scale and showing the front bezel energized; and,

(56) **References Cited**

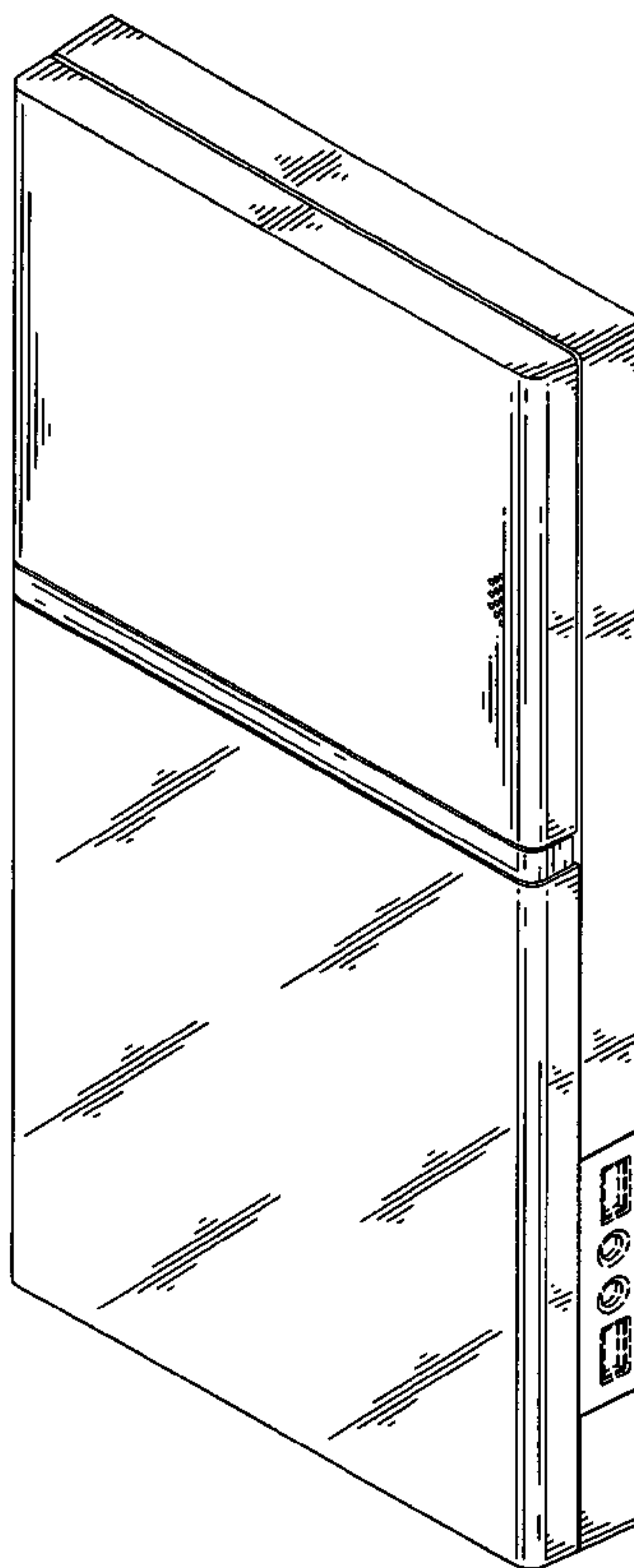
U.S. PATENT DOCUMENTS

D390,835 S * 2/1998 Mayfield, III D13/184
D425,044 S * 5/2000 Jean et al. D14/446
D479,241 S * 9/2003 Witte D14/441
D492,315 S * 6/2004 Gant et al. D14/441

FIG. 8 is a front elevational view of FIG. 7.

The broken lines are for illustrative purposes only and form no part of the claimed design.

1 Claim, 6 Drawing Sheets



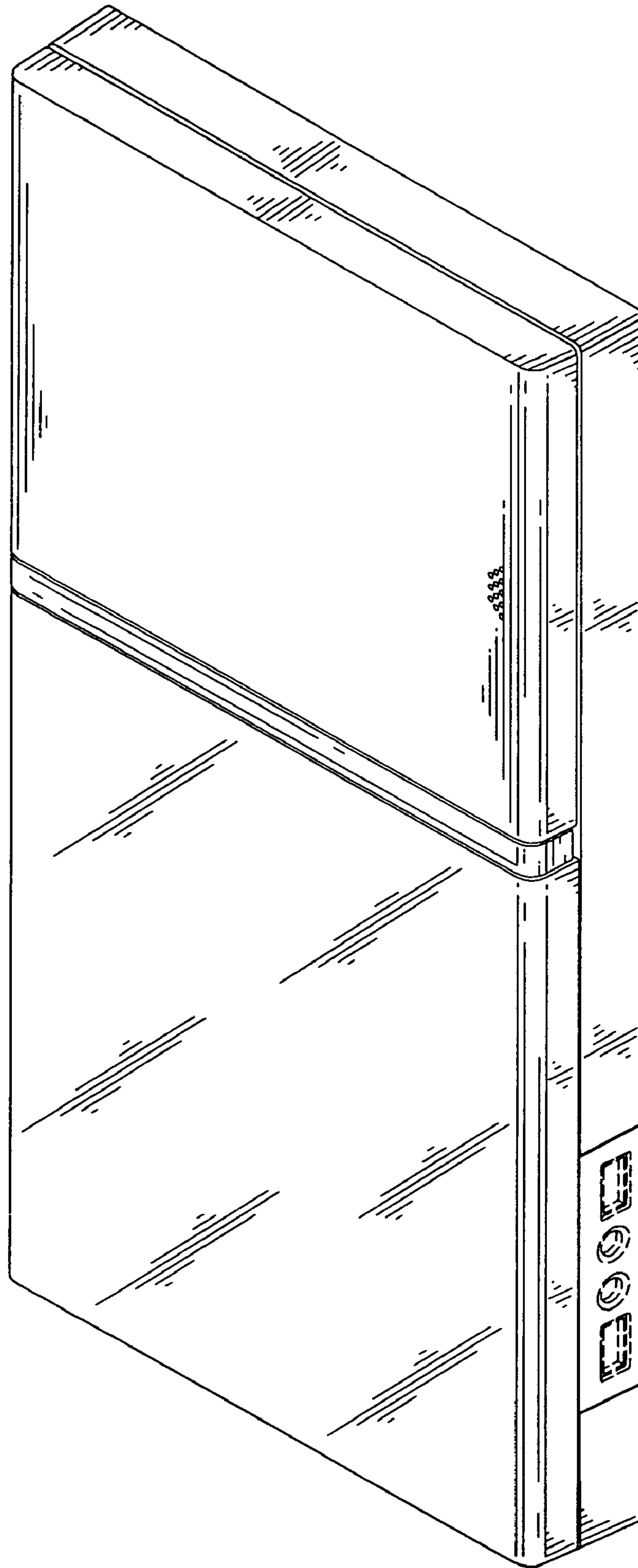


FIG. 1

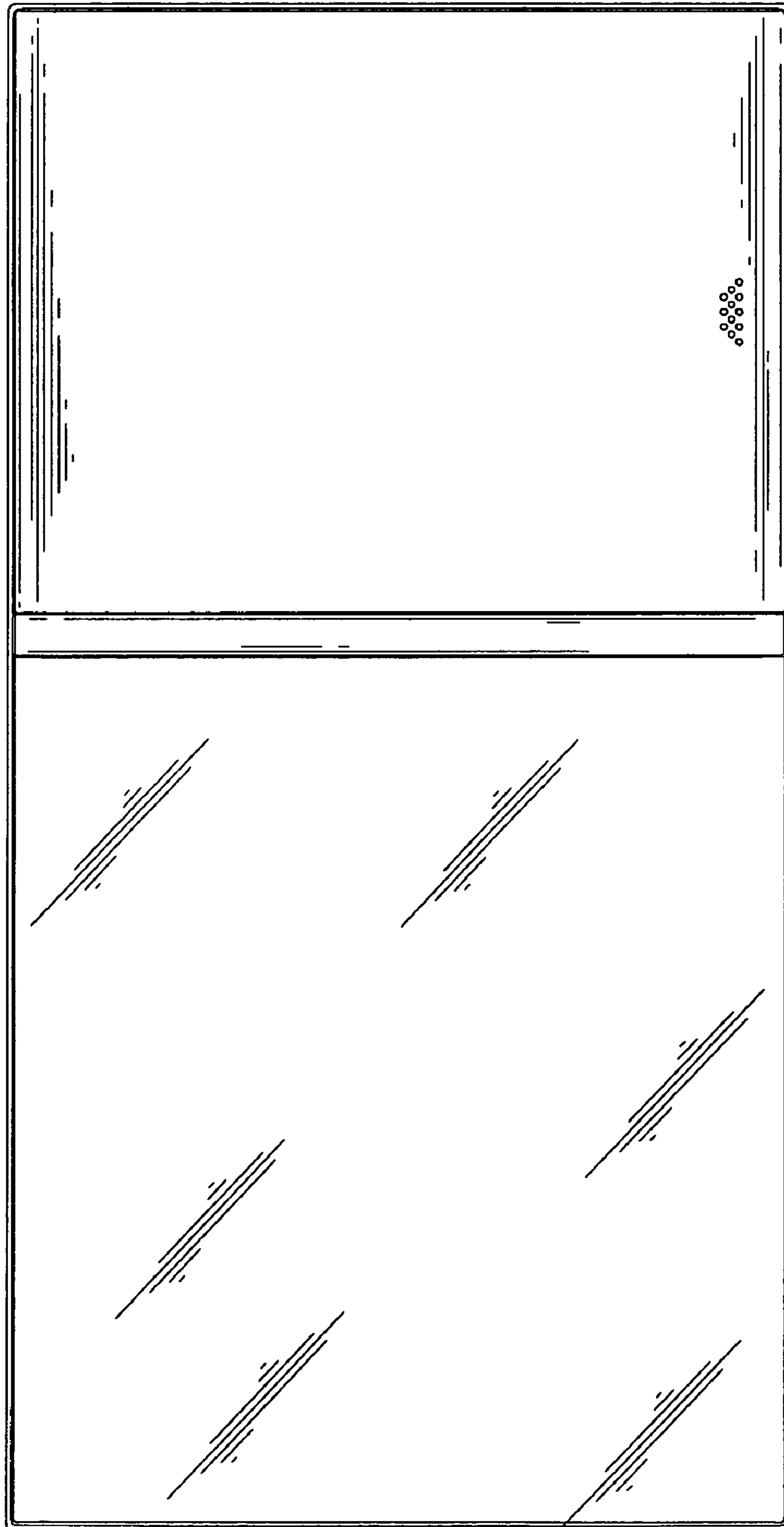


FIG. 2

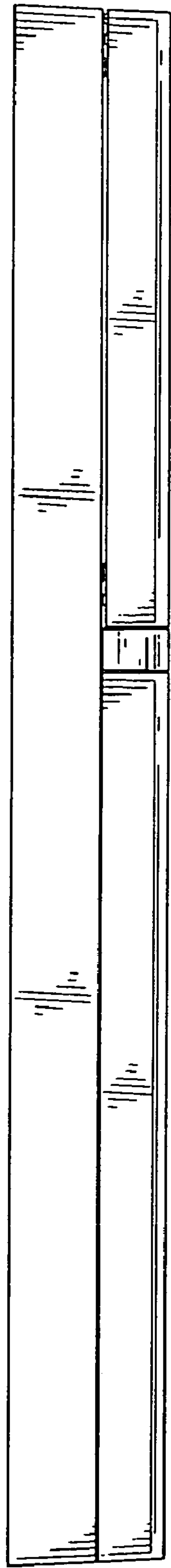


FIG. 3

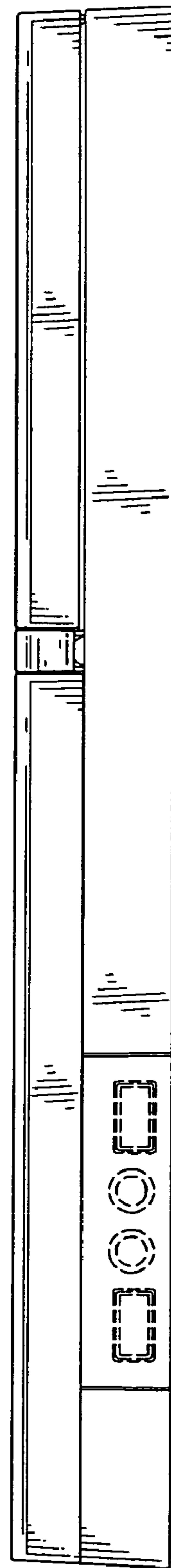


FIG. 4

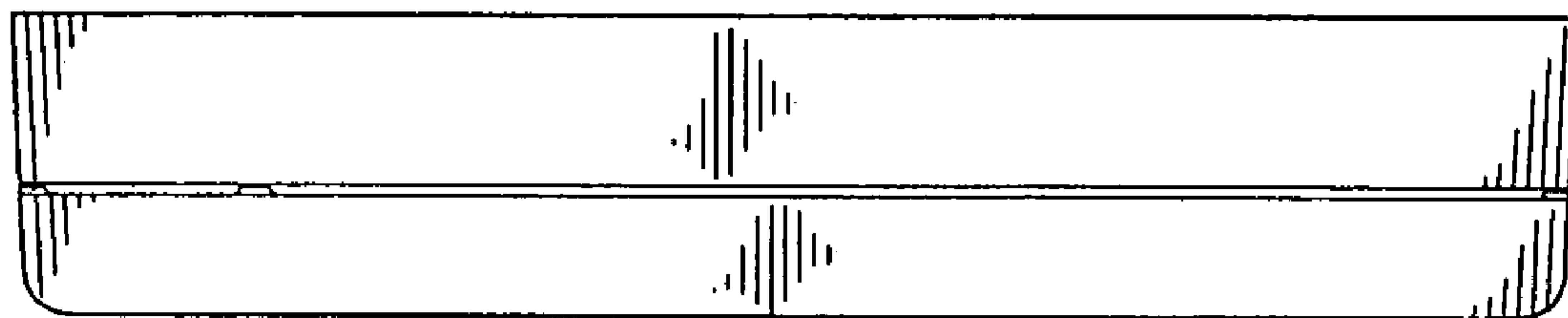


FIG. 5

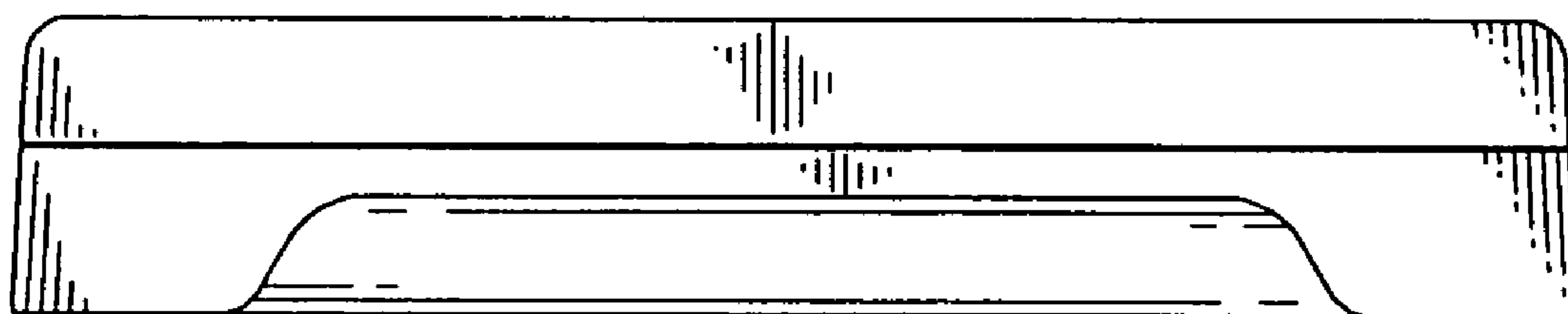


FIG. 6

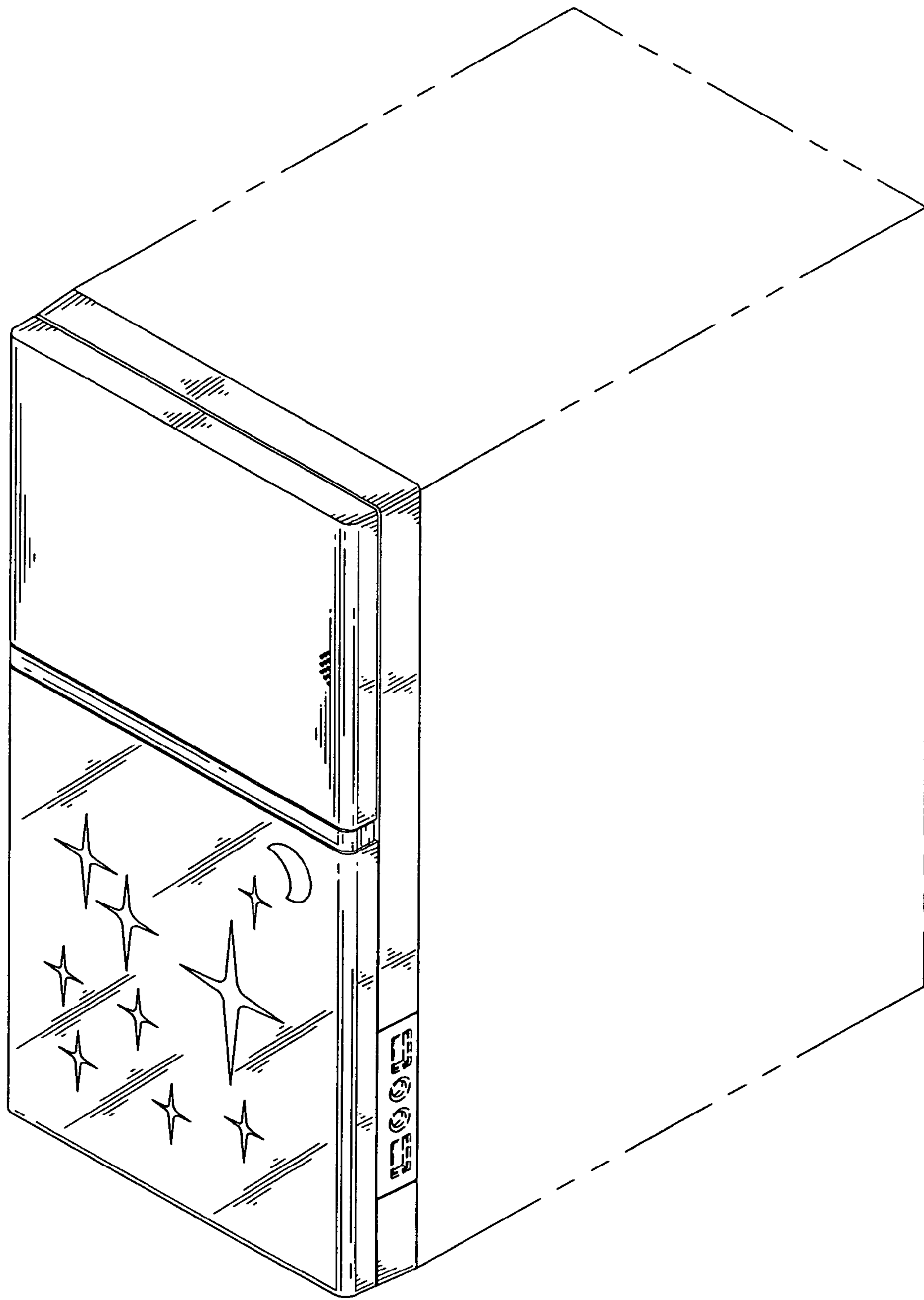


FIG. 7

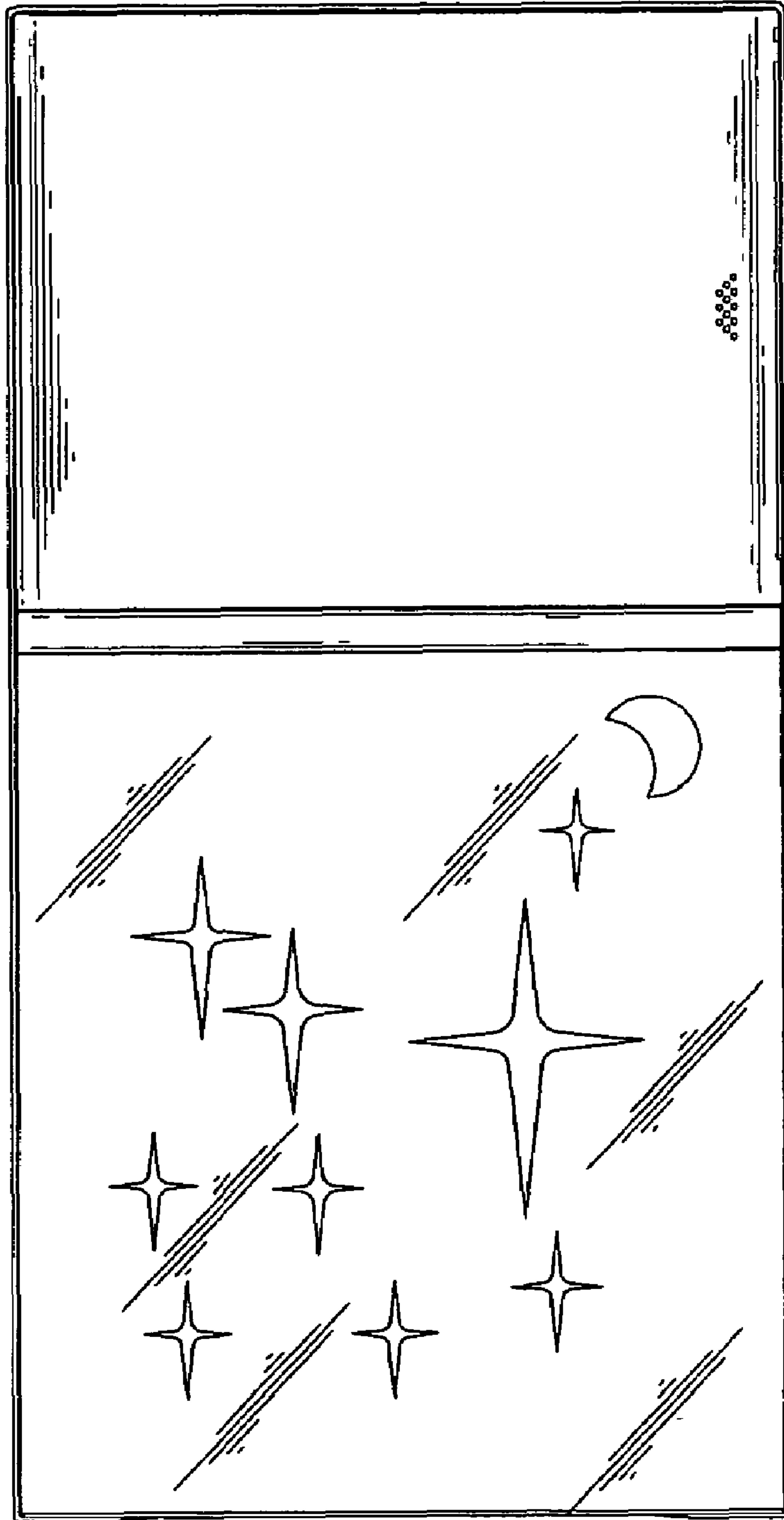


FIG. 8