



US00D561763S

(12) **United States Design Patent**
Dinesh

(10) **Patent No.:** **US D561,763 S**

(45) **Date of Patent:** **** Feb. 12, 2008**

(54) **CRADLE FOR A PDA**

(76) **Inventor:** **Pinakin Dinesh**, 181 E. Reed Ave.,
213, Alexandria, VA (US) 22305

(**) **Term:** **14 Years**

(21) **Appl. No.:** **29/261,998**

(22) **Filed:** **Jun. 23, 2006**

(51) **LOC (8) Cl.** **14-02**

(52) **U.S. Cl.** **D14/434**

(58) **Field of Classification Search** D14/434,
D14/447, 432, 385, 357, 149, 457, 253, 251,
D14/356, 137, 138, 107; D13/199, 107,
D13/108, 118; 361/600, 679, 683, 686; 200/6 R;
206/701; 320/113-115, 107; 379/426;
455/557, 556.1, 556.2; 345/156, 901, 905;
439/374, 131, 529, 534, 929, 346, 31, 640;
235/472.01; 248/309.1, 221.11; 429/100;
D21/333, 392; D19/65; 24/303; D8/395

See application file for complete search history.

(56) **References Cited**

U.S. PATENT DOCUMENTS

D206,590 S *	1/1967	Haggstrom et al.	D13/108
D277,662 S *	2/1985	Huntington et al.	D13/107
D281,064 S *	10/1985	Scheid	D13/107
D313,221 S *	12/1990	Skully et al.	D13/108
D322,061 S *	12/1991	Watanabe	D13/108
D344,708 S *	3/1994	Ho	D13/108

D420,989 S *	2/2000	Sandhu et al.	D14/447
D433,991 S *	11/2000	Buchin et al.	D13/108
D444,121 S *	6/2001	Chun et al.	D13/107
6,246,577 B1 *	6/2001	Han et al.	361/686
D465,532 S *	11/2002	Hussaini et al.	D21/333
D475,054 S *	5/2003	Blackwood et al.	D14/434
D480,393 S *	10/2003	Toor et al.	D14/253
D489,323 S *	5/2004	Yoshida	D13/108

* cited by examiner

Primary Examiner—Melanie Tung

Assistant Examiner—Susan Moon Lee

(74) *Attorney, Agent, or Firm*—Robert J. Harter

(57) **CLAIM**

I claim the ornamental design for a cradle for a PDA, as shown and described.

DESCRIPTION

FIG. 1 is a perspective view of the cradle for a PDA showing my new design

FIG. 2 is a top view thereof;

FIG. 3 is a front view thereof;

FIG. 4 is a right side view thereof;

FIG. 5 is a left side view thereof;

FIG. 6 is a rear view thereof; and,

FIG. 7 is a bottom view thereof.

1 Claim, 2 Drawing Sheets

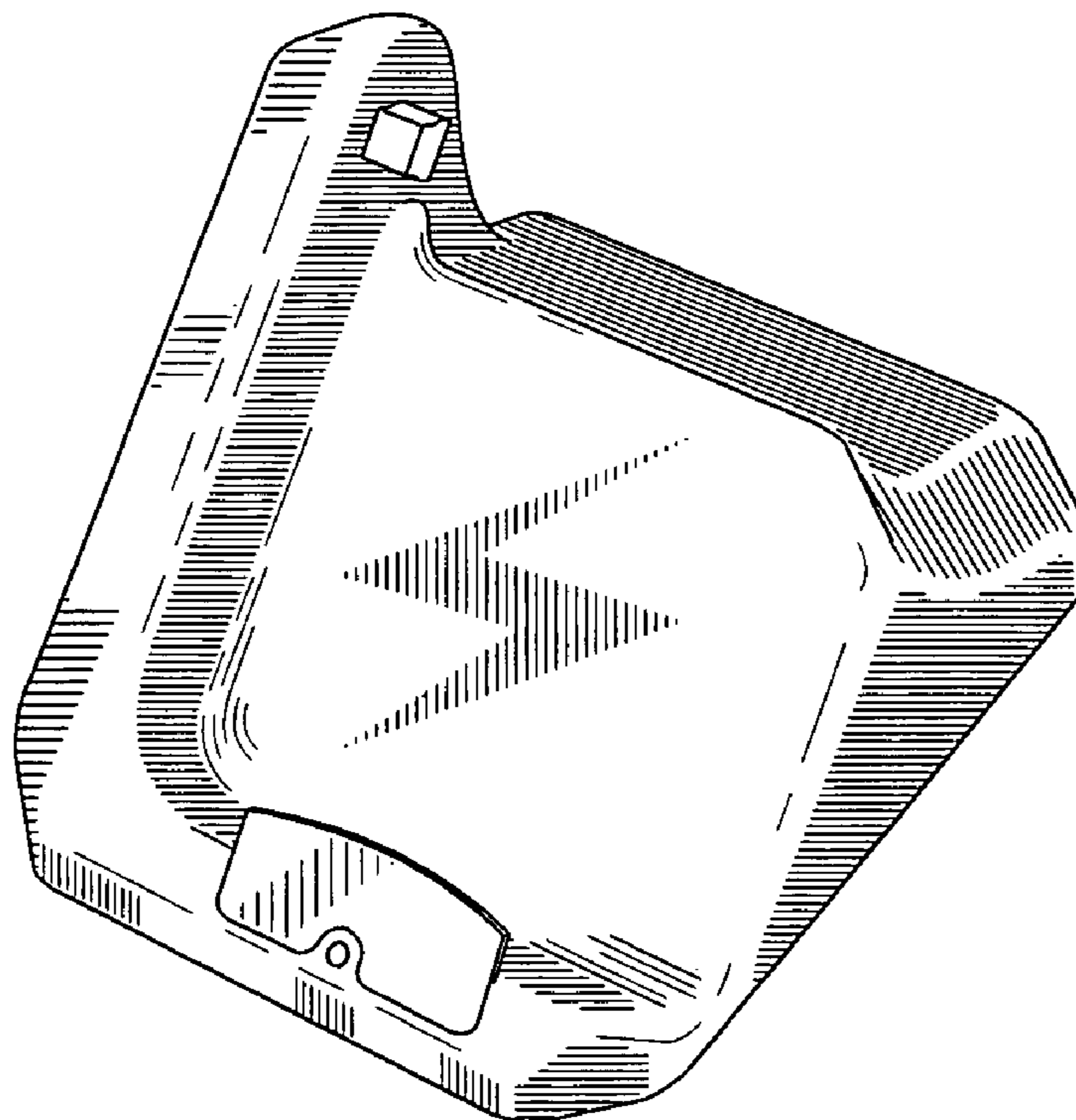


FIG. 2

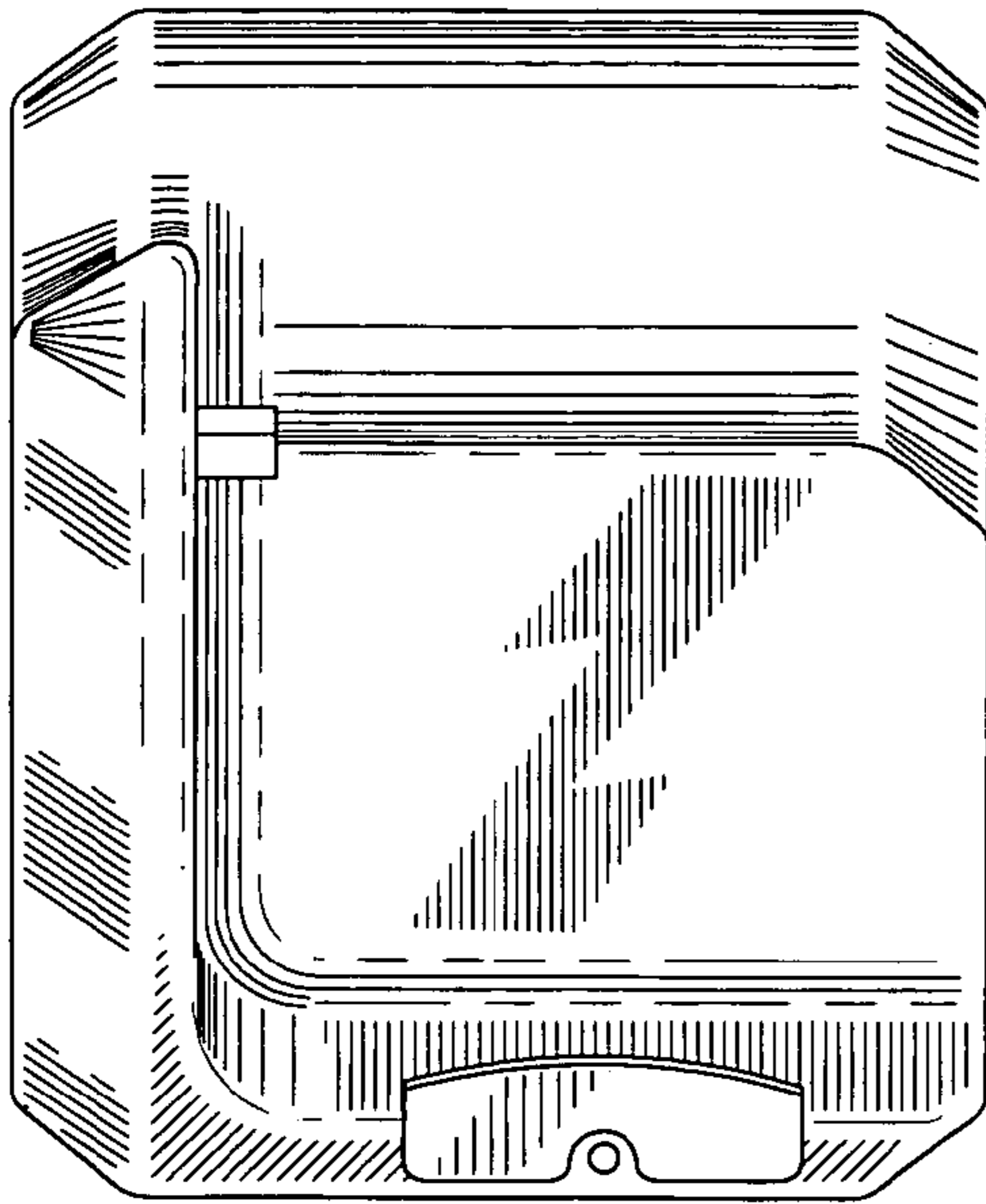


FIG. 4

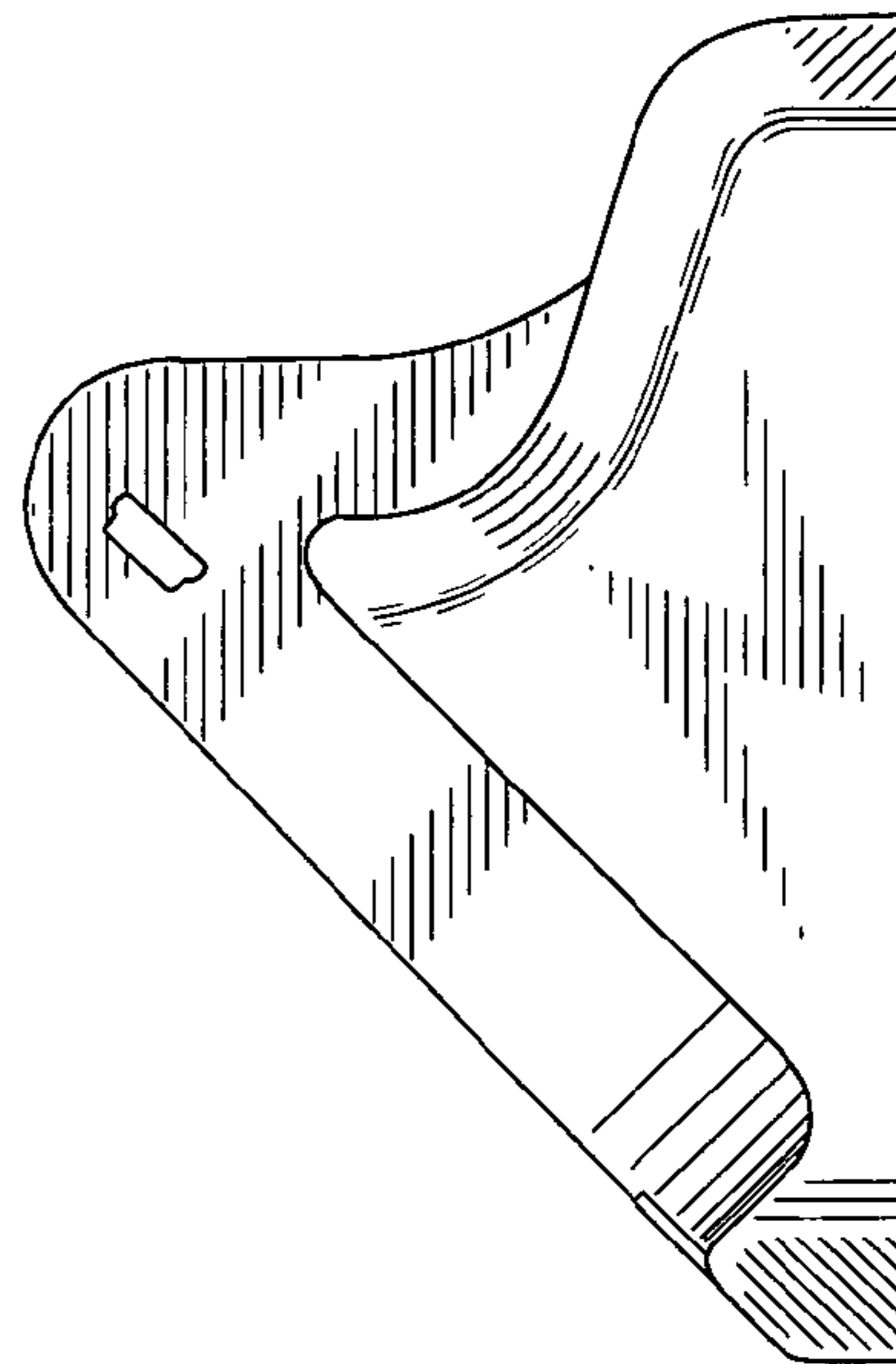


FIG. 3

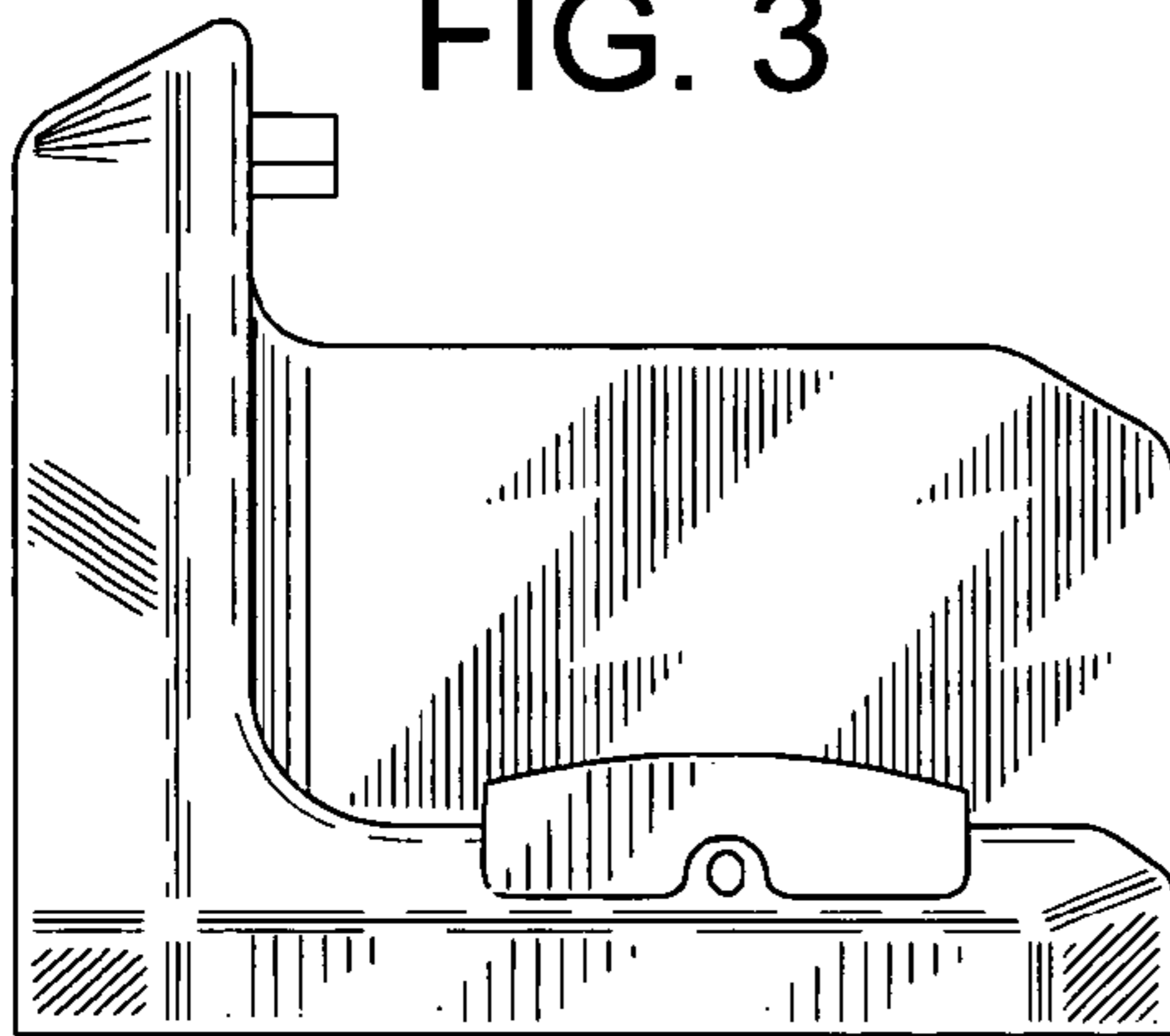


FIG. 1

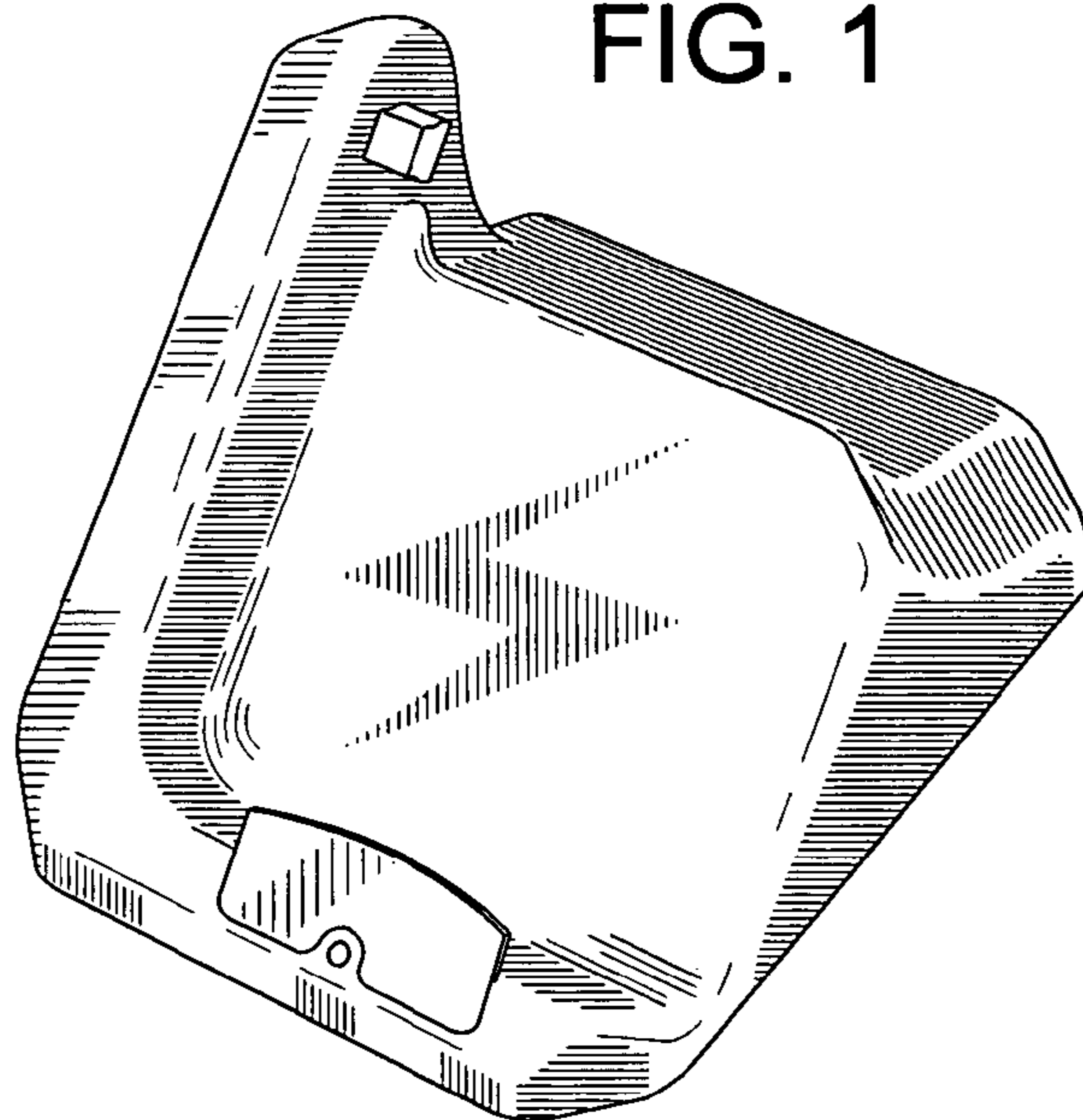


FIG. 6

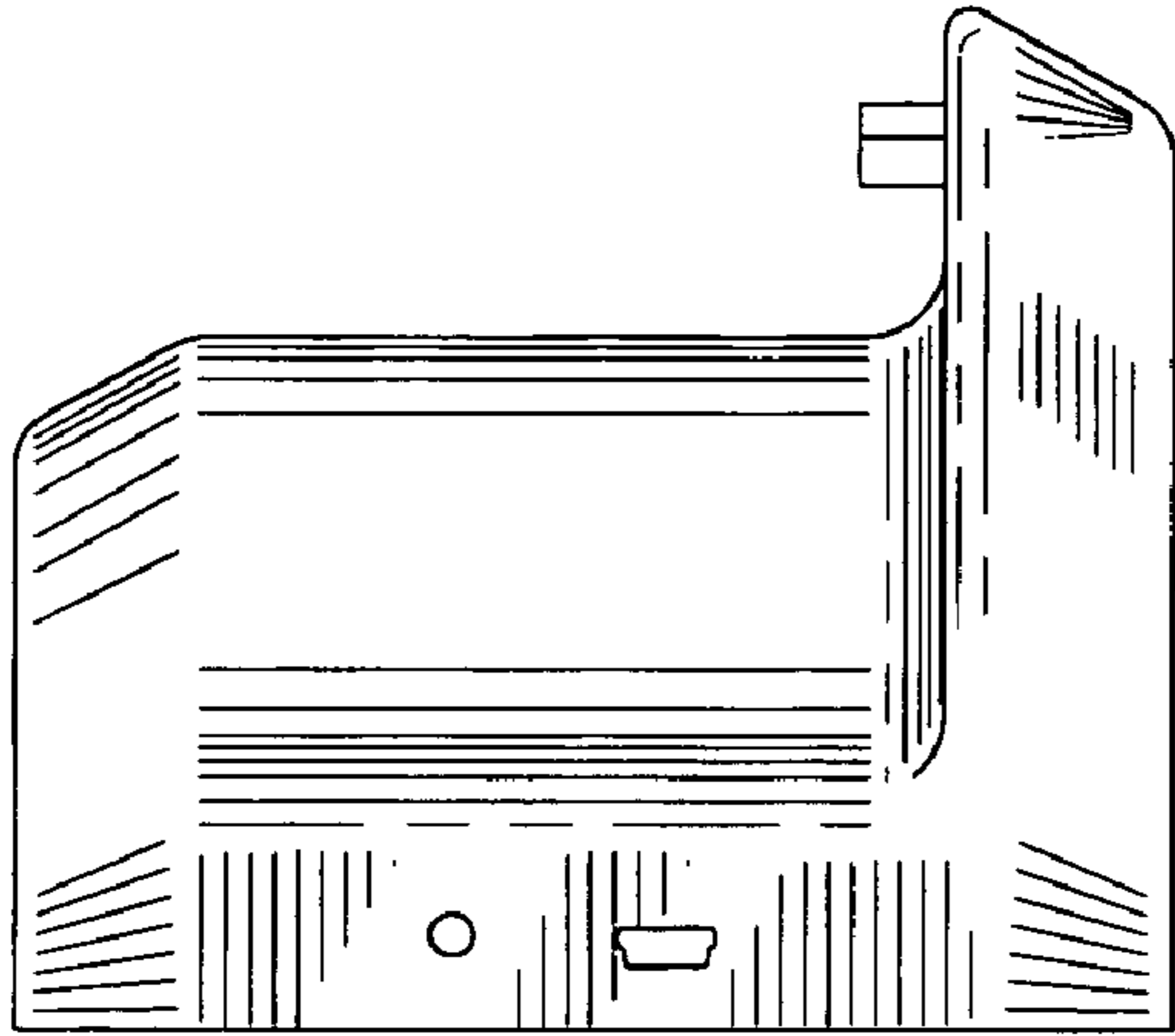


FIG. 7

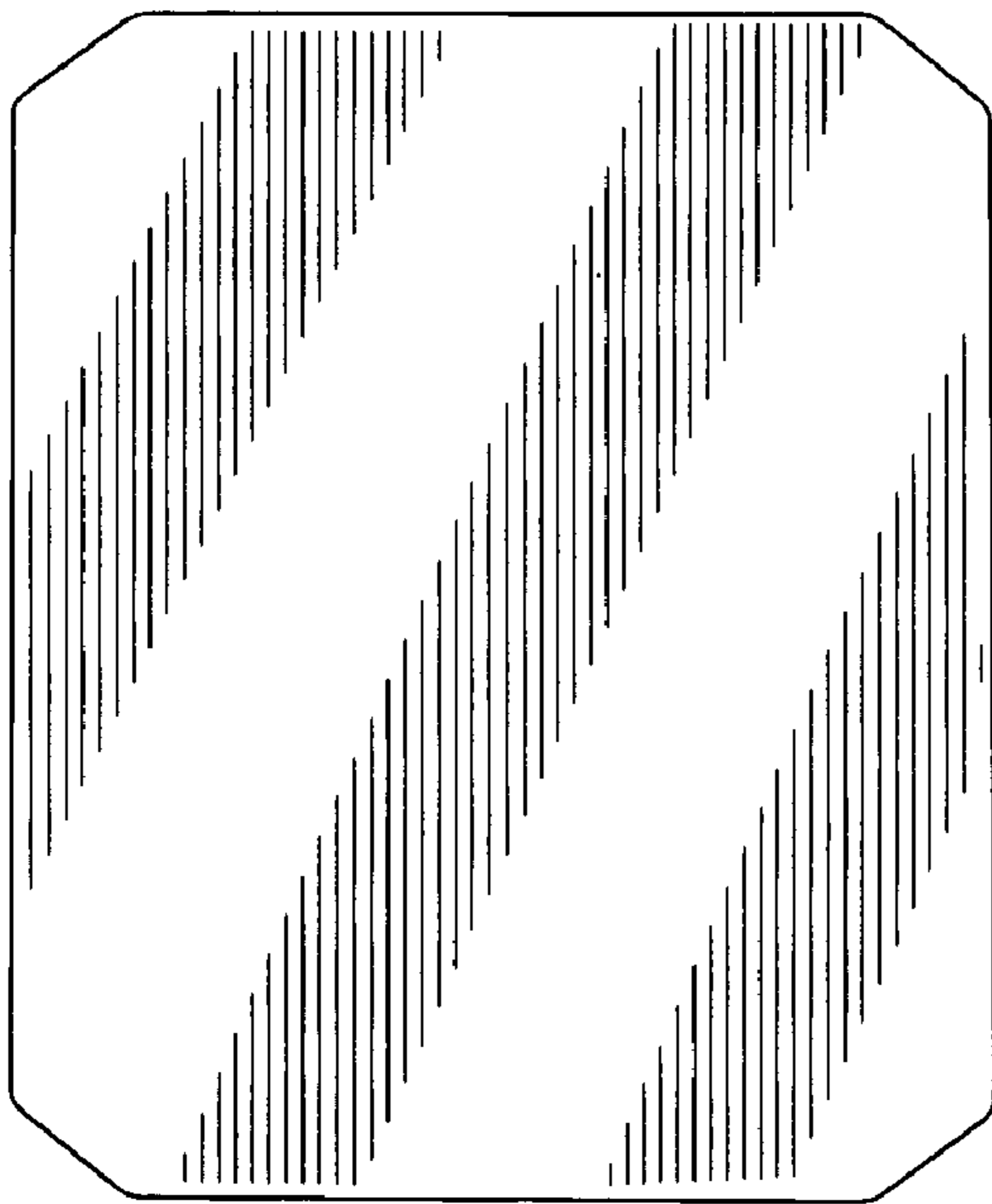


FIG. 5

