



US00D561762S

(12) **United States Design Patent**
Mori

(10) **Patent No.:** **US D561,762 S**

(45) **Date of Patent:** **** Feb. 12, 2008**

(54) **SOFT UNIVERSAL SERIAL BUS HUB**

(75) Inventor: **Kenneth Mori**, Los Angeles, CA (US)

(73) Assignee: **Belkin International, Inc.**, Compton, CA (US)

(**) Term: **14 Years**

(21) Appl. No.: **29/250,843**

(22) Filed: **Dec. 1, 2006**

(51) **LOC (8) Cl.** **14-02**

(52) **U.S. Cl.** **D14/434**

(58) **Field of Classification Search** D14/240,
D14/339, 358, 256, 353, 299, 300, 223, 434;
D13/184, 123, 199, 101, 133, 165; 379/433.01-13,
379/434, 419, 413.04; 220/4.02; 385/16-18,
385/92

See application file for complete search history.

(56) **References Cited**

U.S. PATENT DOCUMENTS

D404,722 S *	1/1999	Chen	D13/184
D466,866 S *	12/2002	Stack et al.	D13/123
D484,136 S *	12/2003	Ivan et al.	D14/433
D489,041 S *	4/2004	Chen et al.	D13/184
D494,157 S *	8/2004	Wikel et al.	D14/240
D494,571 S *	8/2004	Polito	D14/223
D506,188 S *	6/2005	Ikeda	D13/184
D509,797 S *	9/2005	Milan	D13/133

D510,091 S *	9/2005	Mori et al.	D14/434
D512,718 S *	12/2005	Mori et al.	D14/434
D516,074 S *	2/2006	Ho et al.	D14/433
D530,717 S *	10/2006	Mori et al.	D14/434
D537,036 S *	2/2007	Chen	D13/133

* cited by examiner

Primary Examiner—Charles A. Rademaker

(74) *Attorney, Agent, or Firm*—O'Melveny & Myers LLP

(57) **CLAIM**

The ornamental design for a soft universal serial bus hub, as shown and described.

DESCRIPTION

FIG. 1 is a perspective view of a soft universal serial bus hub showing my new design;

FIG. 2 is a front elevation thereof;

FIG. 3 is a rear elevation thereof;

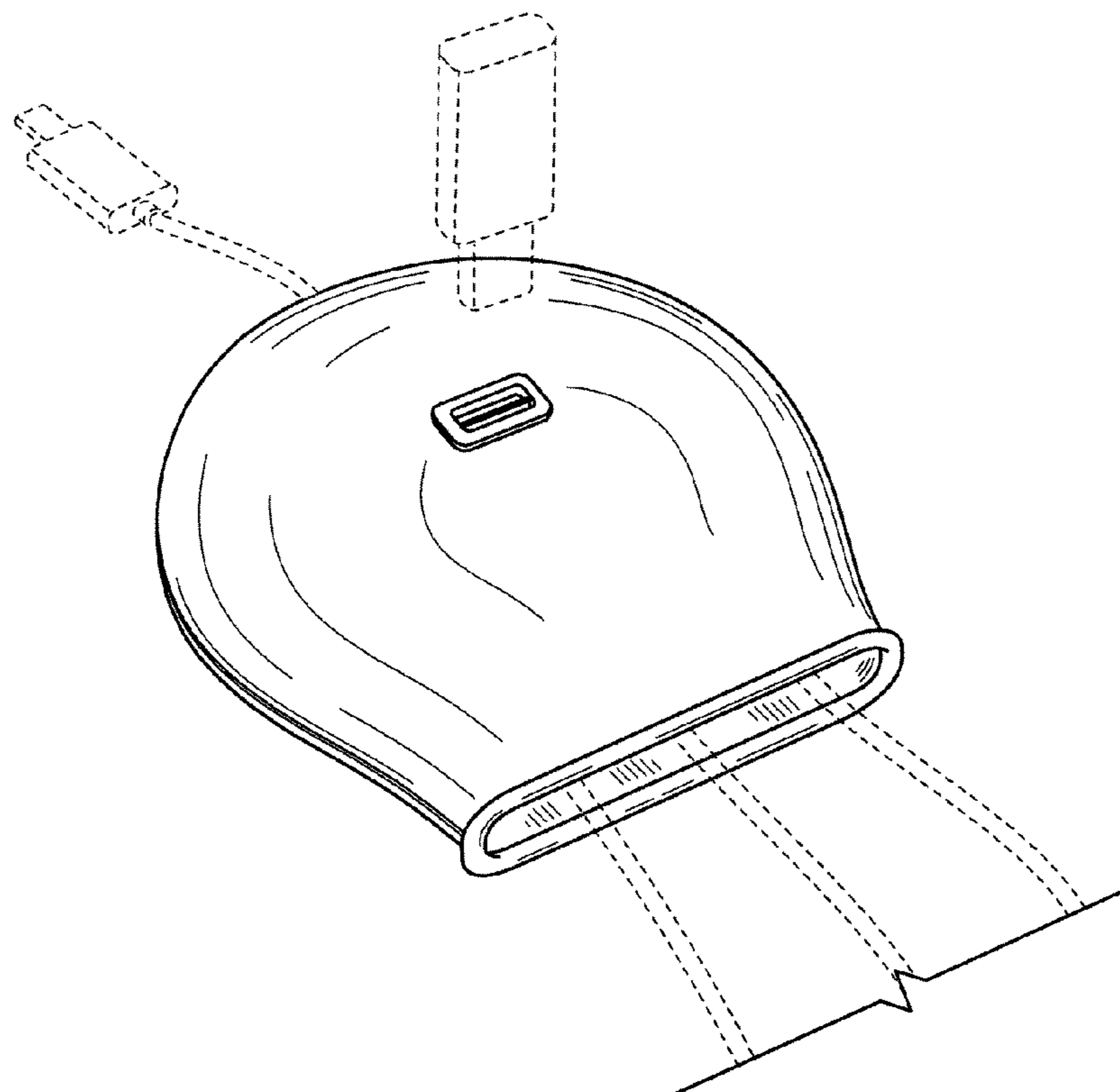
FIG. 4 is a left side elevation thereof, the side opposite being a mirror image;

FIG. 5 is a top plan view thereof; and,

FIG. 6 is a bottom plan view thereof.

The broken line showing of environmental structures is included for the purposes of illustration and forms no part of the claimed design.

1 Claim, 2 Drawing Sheets



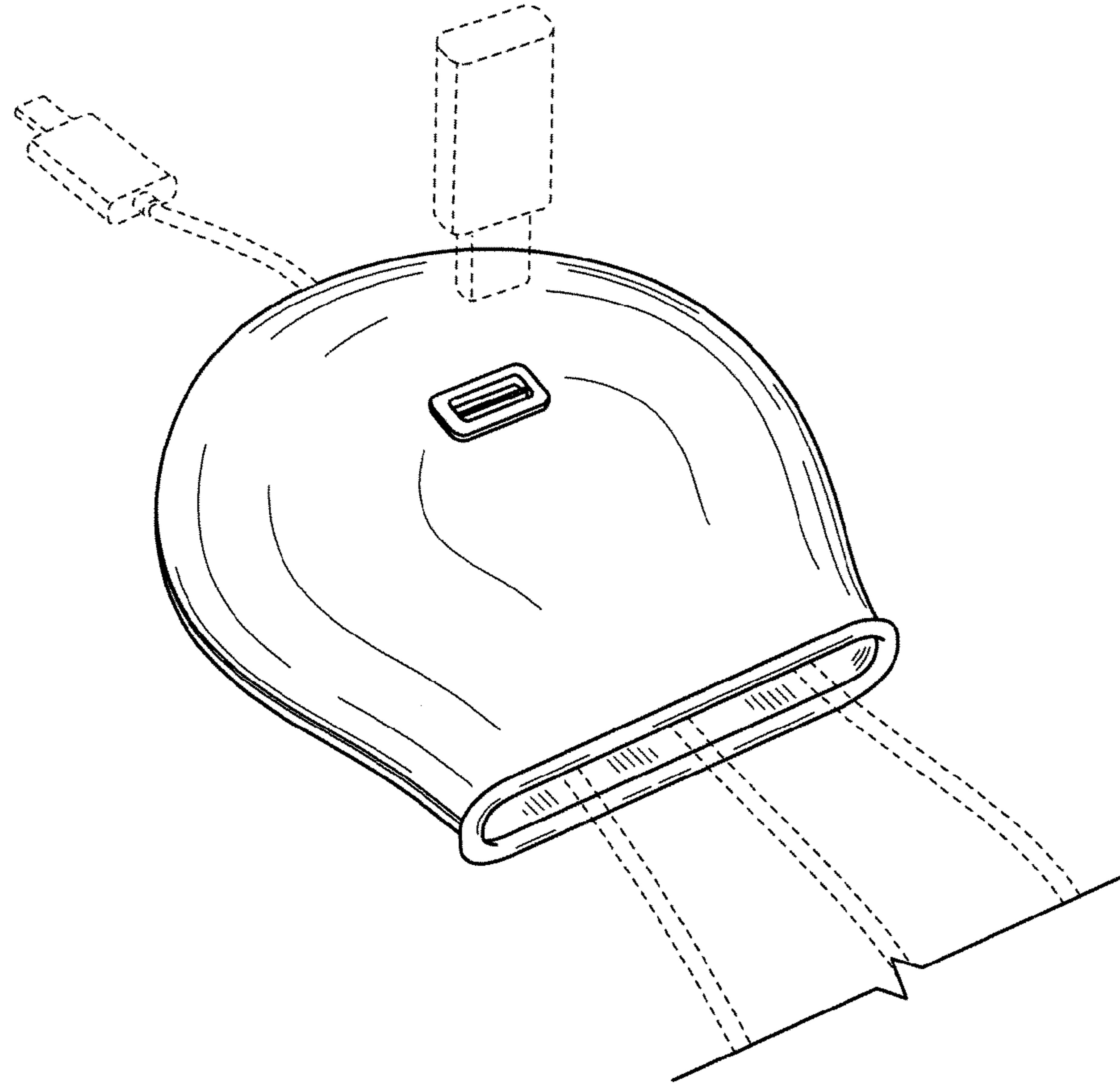


FIG. 1

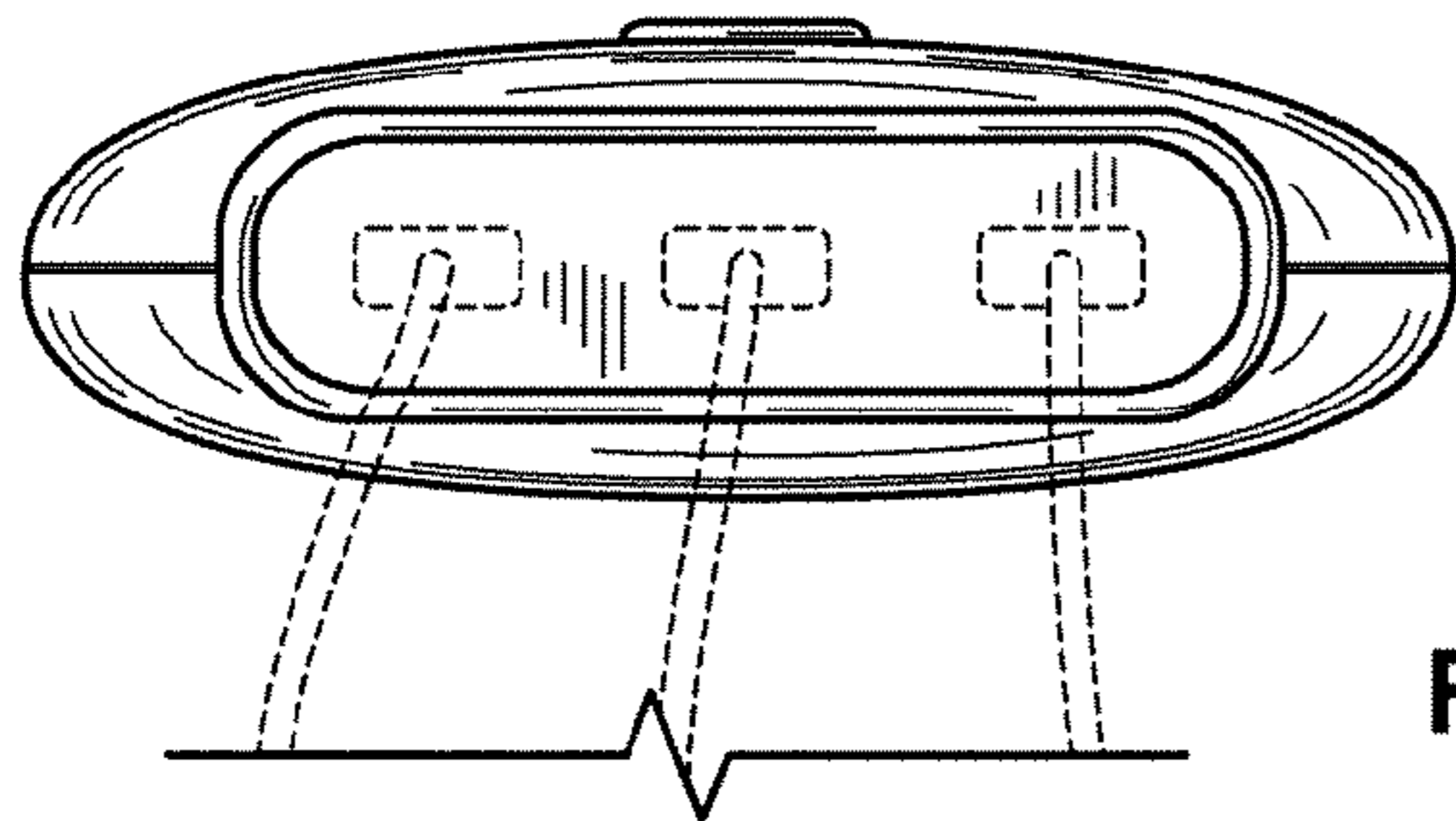


FIG. 2

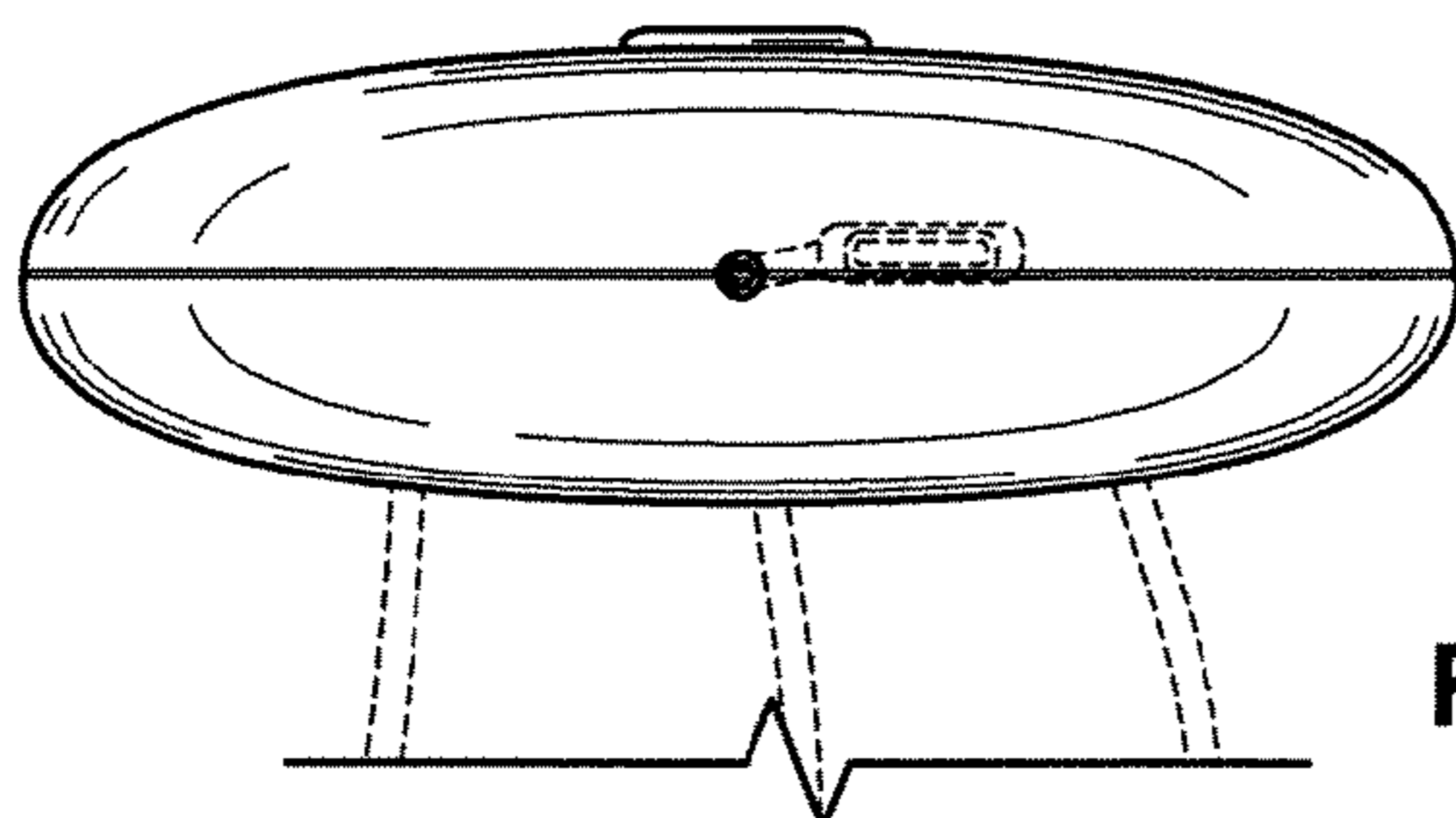


FIG. 3

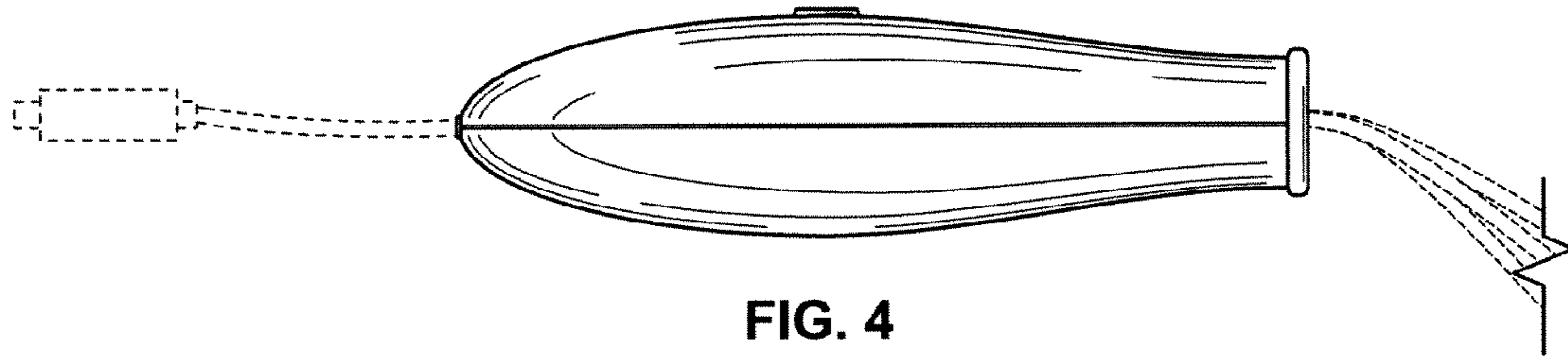


FIG. 4

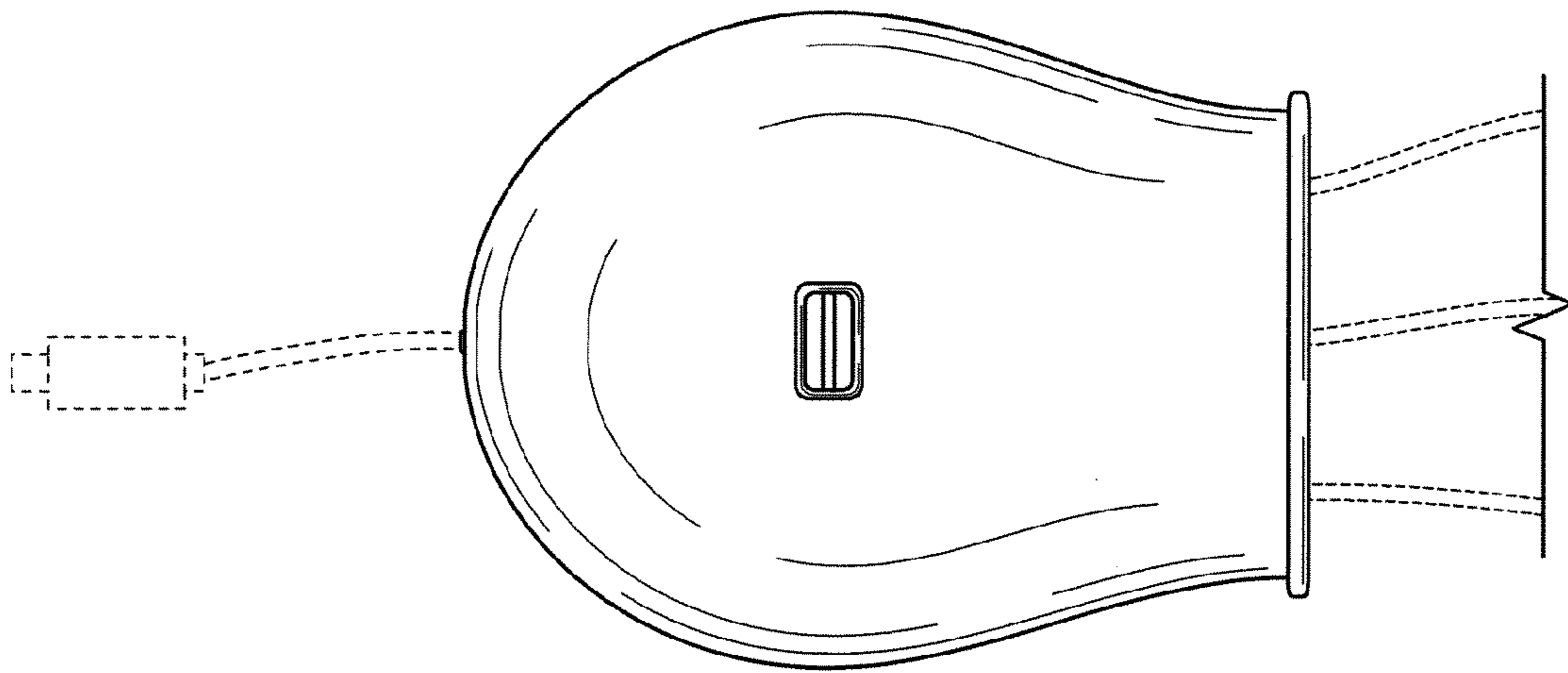


FIG. 5

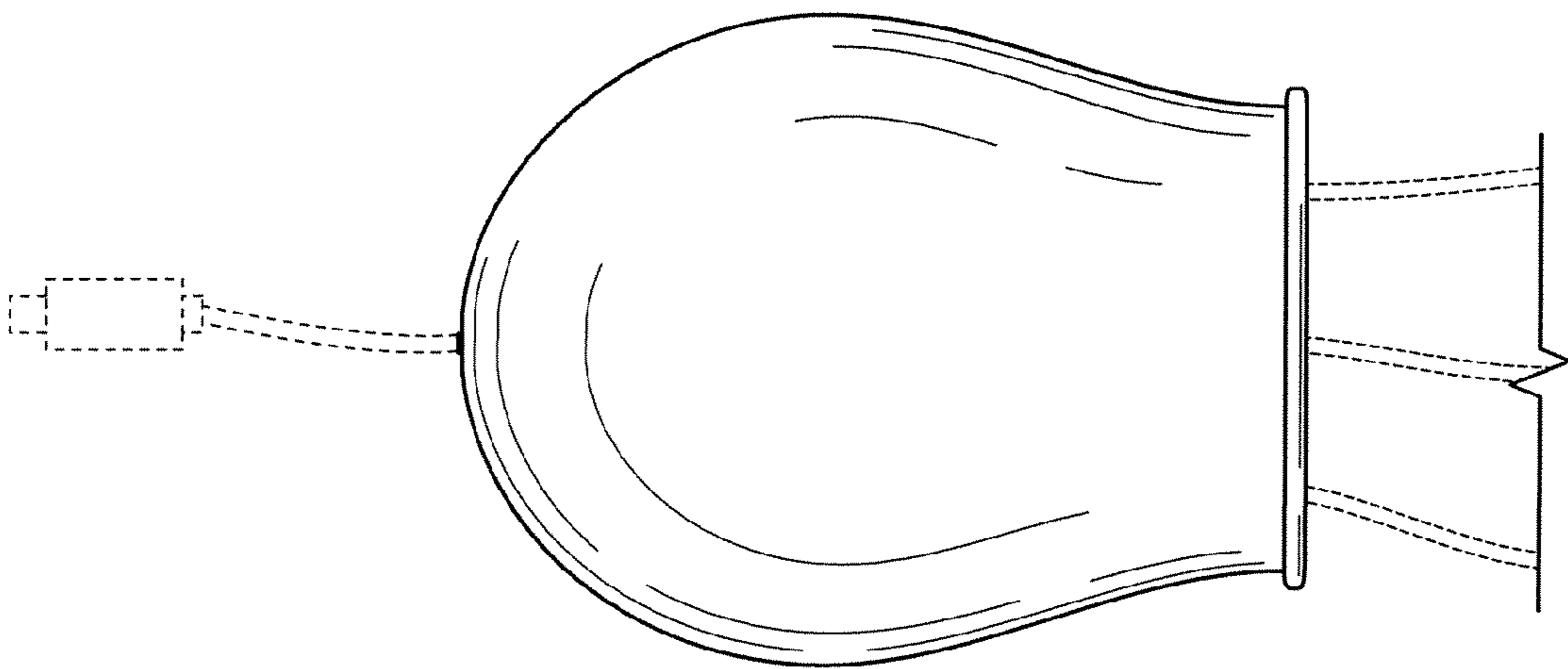


FIG. 6