



US00D561755S

(12) **United States Design Patent**
Riede

(10) **Patent No.:** **US D561,755 S**

(45) **Date of Patent:** **** Feb. 12, 2008**

(54) **ENTERTAINMENT CONTROLLER**

(75) Inventor: **Steven Riede**, Long Beach, CA (US)

(73) Assignee: **Magnadyne Corporation**, Compton, CA (US)

(**) Term: **14 Years**

(21) Appl. No.: **29/272,332**

(22) Filed: **Feb. 6, 2007**

(51) **LOC (8) Cl.** **14-01**

(52) **U.S. Cl.** **D14/257**

(58) **Field of Classification Search** D14/257,
D14/258, 224, 217, 198, 197, 193, 192, 188,
D14/168, 167, 165, 164, 163, 162, 161, 160,
D14/157, 156, 154, 136, 135; 720/691, 658,
720/270; 455/344, 575.1; 396/434, 93;
386/1; 369/93, 75.1; 360/47, 4; 359/550,
359/258; 349/460, 159, 10

See application file for complete search history.

(56) **References Cited**

U.S. PATENT DOCUMENTS

D447,134 S * 8/2001 Kiai D14/257

D469,428 S * 1/2003 Senda et al. D14/257
D512,700 S * 12/2005 Sonoda D14/136
D529,464 S * 10/2006 Lim et al. D14/136
D530,293 S * 10/2006 Moriya et al. D14/135
D530,294 S * 10/2006 Ryu D14/136
D531,189 S * 10/2006 Depay et al. D14/496

* cited by examiner

Primary Examiner—Robert M. Spear

Assistant Examiner—Katrina A Kile

(74) *Attorney, Agent, or Firm*—Paul, Hastings, Janofsky & Walker LLP; Sam Talpatsky, Esq.

(57) **CLAIM**

The ornamental design for an entertainment controller, as shown and described.

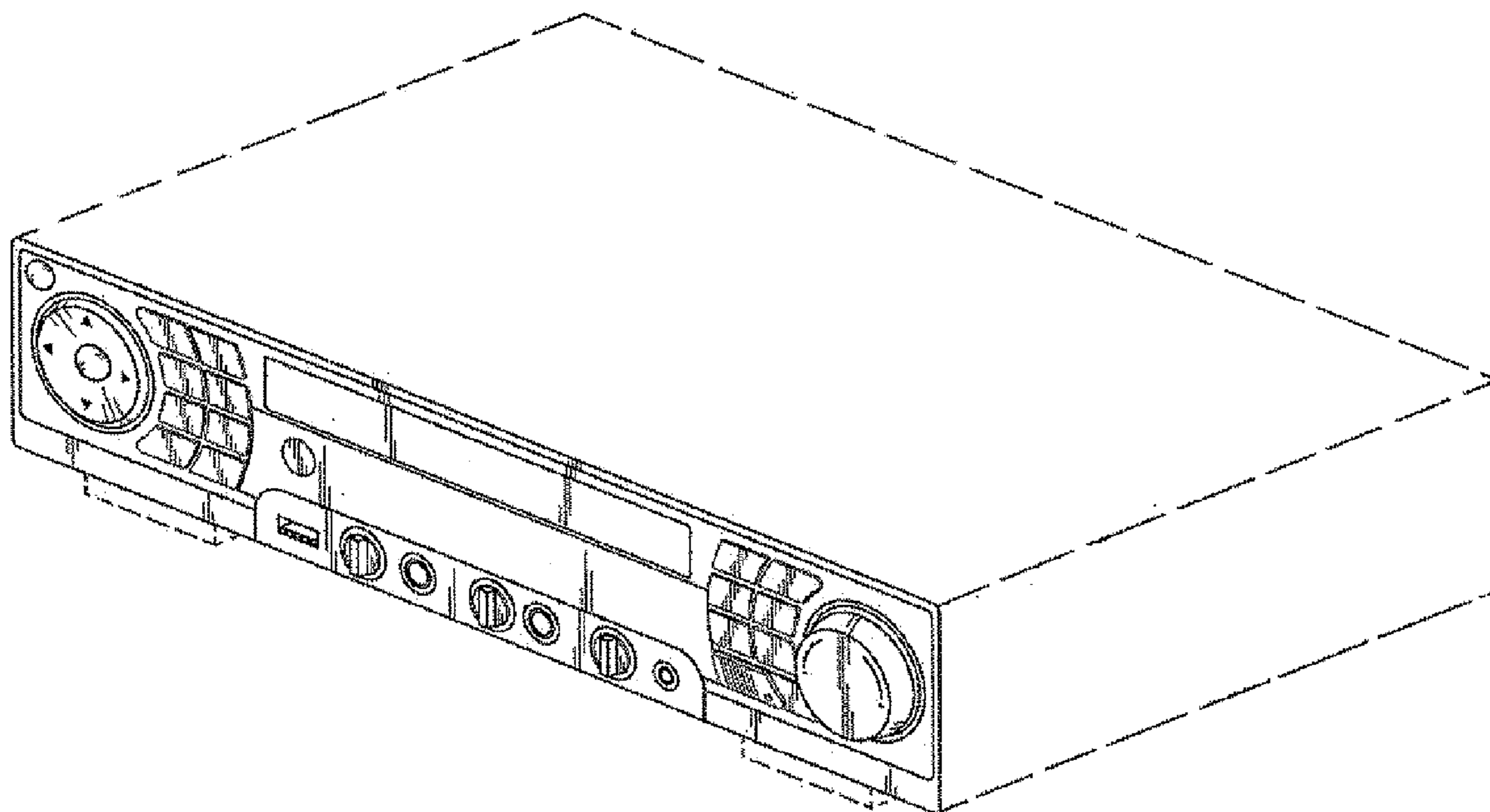
DESCRIPTION

FIG. 1 is a perspective view of an entertainment controller showing my new design; and,

FIG. 2 is a front elevational view thereof.

The broken lines in the drawings depict environmental subject matter only and form no part of the claimed design.

1 Claim, 1 Drawing Sheet



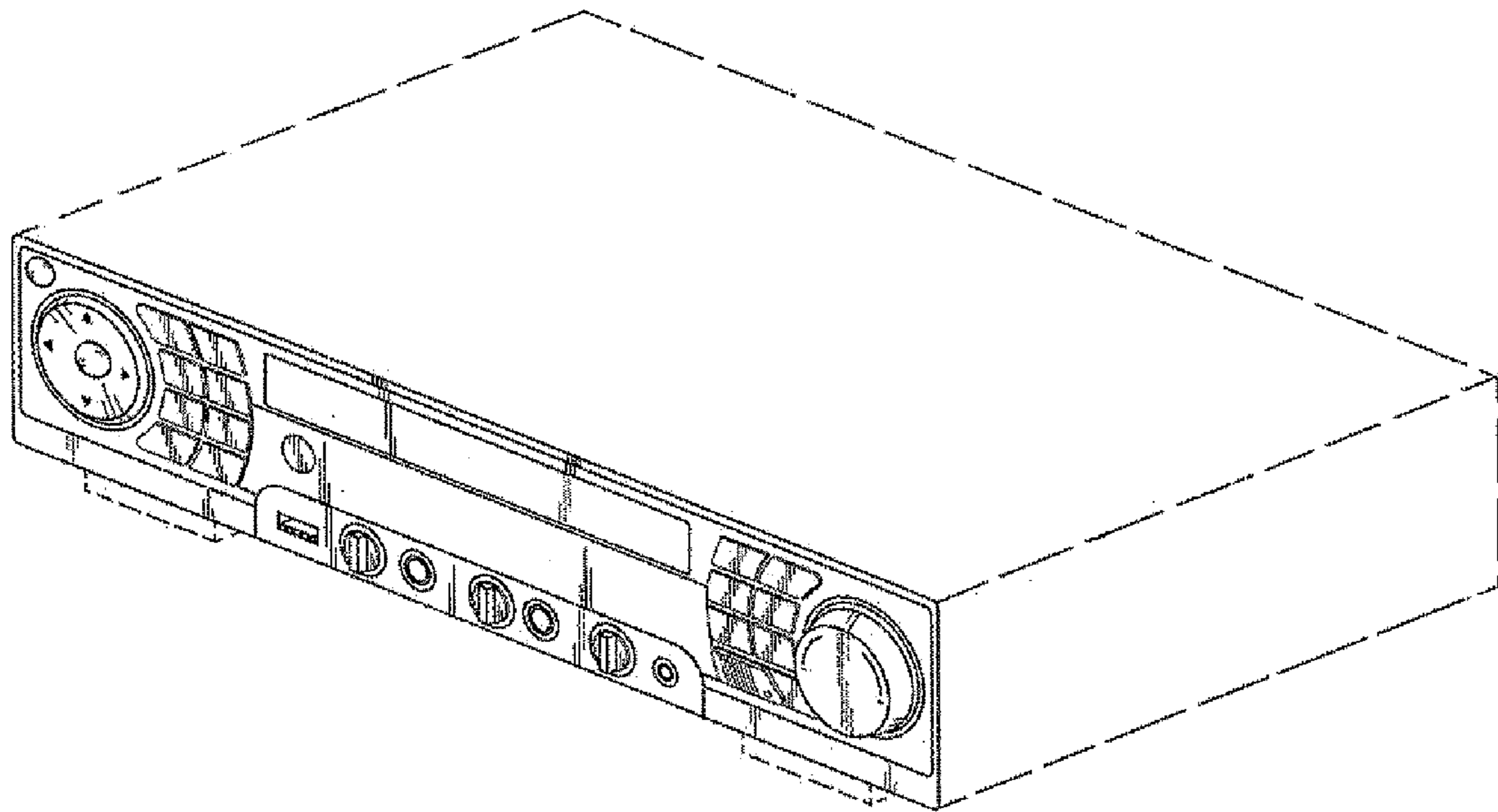


Figure 1

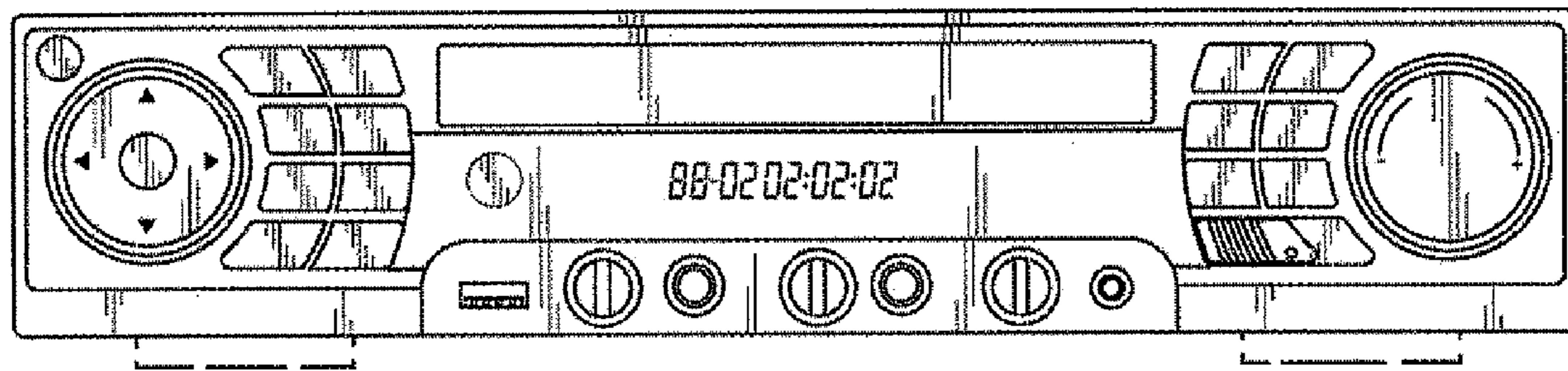


Figure 2