

US00D561751S

(12) **United States Design Patent**  
**Husgafvel**

(10) **Patent No.:** **US D561,751 S**

(45) **Date of Patent:** **\*\* Feb. 12, 2008**

(54) **SET OF KEY BUTTONS FOR A HANDSET**

(75) Inventor: **Ilkka Husgafvel**, Helsinki (FI)

(73) Assignee: **Nokia Corporation**, Espoo (FI)

(\*\*) Term: **14 Years**

(21) Appl. No.: **29/278,561**

(22) Filed: **Apr. 2, 2007**

**Related U.S. Application Data**

(62) Division of application No. 29/216,886, filed on Nov. 10, 2004, now Pat. No. Des. 543,201.

**Foreign Application Priority Data**

Jun. 14, 2004 (FI) ..... M20040103

(51) **LOC (8) Cl.** ..... **14-03**

(52) **U.S. Cl.** ..... **D14/247**

(58) **Field of Classification Search** ..... D14/137,  
D14/138, 147-148, 247-248, 144, 218, 341-347,  
D14/455, 456; 379/433.01-433.13, 434;  
455/575.1, 566, 575.3, 556.1; D21/517,  
D21/329, 331; 345/169  
See application file for complete search history.

(56) **References Cited**

**U.S. PATENT DOCUMENTS**

- D390,509 S 2/1998 Antzinas et al.
- D424,060 S 5/2000 Baker et al.
- D425,887 S 5/2000 Edwards et al.
- D432,511 S 10/2000 Eckholm
- D441,733 S 5/2001 Do et al.
- D459,327 S 6/2002 Ali
- D460,057 S 7/2002 Hunt
- 6,469,731 B1 10/2002 Saburi
- D469,367 S 1/2003 Mirabelli et al.
- D469,416 S 1/2003 Nam
- D469,750 S 2/2003 Nam
- D472,225 S 3/2003 Griffin
- D479,212 S 9/2003 Eckholm
- D479,514 S 9/2003 Chan

- D480,697 S 10/2003 Lee et al.
- D481,691 S 11/2003 Vuolteenaho
- D482,010 S 11/2003 Nuovo et al.
- D482,352 S \* 11/2003 Sinclair ..... D14/247
- D484,475 S 12/2003 Sheu
- D484,477 S 12/2003 Salmi
- D484,865 S 1/2004 Arbisi
- D485,246 S 1/2004 Johansson et al.
- D487,438 S 3/2004 Sheu
- D488,143 S 4/2004 Ting et al.
- D488,789 S 4/2004 Lee
- D490,791 S 6/2004 Pitt et al.
- D492,274 S 6/2004 Widiaman

(Continued)

**FOREIGN PATENT DOCUMENTS**

EM 000119649-0001 4/2004

(Continued)

**OTHER PUBLICATIONS**

<<http://www.mobiletechnews.com>>, Nokia 66303G Megapixel phone, posted Jun. 14, 2004.

(Continued)

*Primary Examiner*—Jeffrey Asch  
(74) *Attorney, Agent, or Firm*—Banner & Witcoff, Ltd.

(57) **CLAIM**

The ornamental design for a set of key buttons for a handset, as shown and described.

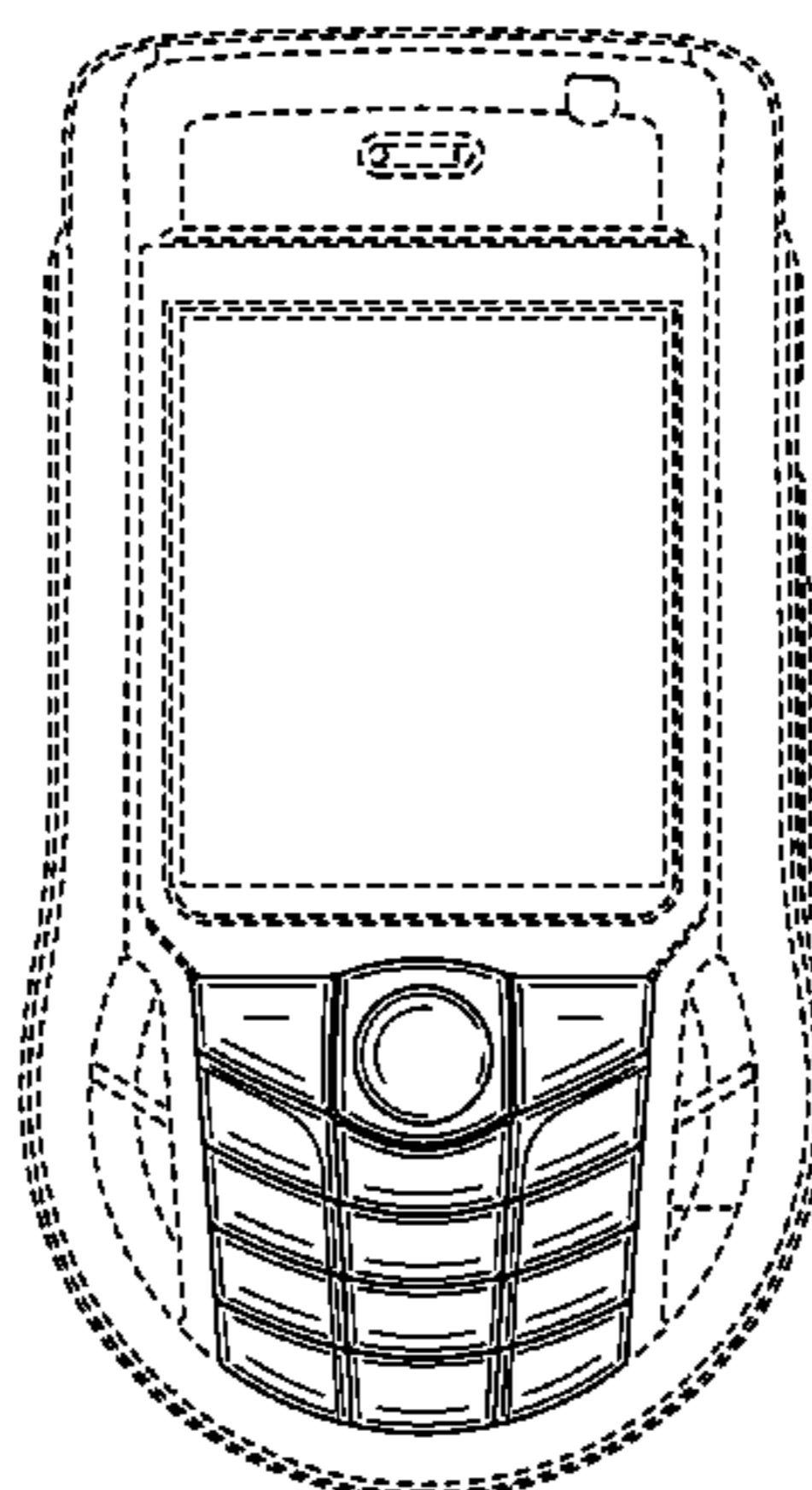
**DESCRIPTION**

FIG. 1 is a front view of a set of key buttons for a handset showing my new design; and,

FIG. 2 is a perspective front view thereof.

The broken line showing of the remainder of the handset in FIGS. 1 and 2 is for illustrative purposes only and forms no part of the claimed design.

**1 Claim, 2 Drawing Sheets**



# US D561,751 S

Page 2

## U.S. PATENT DOCUMENTS

D492,276 S	6/2004	Walliser et al.	
D494,561 S	8/2004	Kagami et al.	
D494,949 S	8/2004	Arnholt et al.	
D494,950 S	8/2004	Keunecke	
D495,672 S	9/2004	Jeon et al.	
D496,343 S	9/2004	Lin et al.	
D496,641 S	9/2004	Seo	
D496,921 S	10/2004	Hwang	
D499,721 S	* 12/2004	Leith et al. ....	D14/247
D500,749 S	1/2005	Kim	
D500,992 S	1/2005	Shen et al.	
D502,162 S	2/2005	Kim et al.	
D502,455 S	3/2005	Brandis et al.	
D502,691 S	3/2005	Fuxen	
D502,933 S	3/2005	Munstermann	
D503,162 S	3/2005	Kagami et al.	
D503,163 S	3/2005	Chan et al.	
D504,879 S	5/2005	Moss	
D505,417 S	* 5/2005	Wang et al. ....	D14/247
D505,934 S	6/2005	Gonser	
D506,190 S	6/2005	Mehandjiysky	
D506,191 S	6/2005	Majanen	
D507,562 S	7/2005	Kim	
D507,563 S	* 7/2005	Moss .....	D14/247
D512,398 S	* 12/2005	Chen et al. ....	D14/138
D512,975 S	* 12/2005	Tsai et al. ....	D14/138
D514,539 S	2/2006	Lai et al.	
D514,540 S	2/2006	Lai et al.	
D515,540 S	2/2006	Geng et al.	
D516,049 S	2/2006	Hwang	
D516,547 S	* 3/2006	Tyneski et al. ....	D14/247
D517,518 S	3/2006	Nakajima et al.	
D518,458 S	4/2006	Husgafvel et al.	
D518,805 S	* 4/2006	Viitasaari .....	D14/138
D518,806 S	4/2006	Husgafvel	
D520,486 S	* 5/2006	Kim et al. ....	D14/138
D521,506 S	5/2006	Tyneski et al.	
D522,988 S	6/2006	Sheu	
D522,991 S	* 6/2006	Yun et al. ....	D14/138
D523,006 S	* 6/2006	Corley et al. ....	D14/247
D524,279 S	* 7/2006	Lai .....	D14/138
D524,777 S	7/2006	Lyles	
D524,779 S	7/2006	Lyles	
D524,803 S	7/2006	Tyneski et al.	
D526,295 S	8/2006	Lyles	

D527,726 S	* 9/2006	Viitasaari .....	D14/247
D529,022 S	* 9/2006	Lyles .....	D14/247
D529,486 S	* 10/2006	Kangasmaa et al. ....	D14/247
D530,318 S	* 10/2006	Kangasmaa .....	D14/247
D539,791 S	* 4/2007	Sheu .....	D14/247
D543,198 S	* 5/2007	Hering .....	D14/247
D543,200 S	* 5/2007	Husgafvel et al. ....	D14/248
D543,201 S	* 5/2007	Husgafvel .....	D14/248
2002/0190957	A1 12/2002	Lee et al.	
2004/0185921	A1 9/2004	Tomaghi	
2004/0224722	A1 11/2004	Lee	
2005/0057520	A1 3/2005	Robinson	
2005/0079895	A1 4/2005	Kalenius et al.	
2005/0083642	A1 4/2005	Senpuku et al.	

## FOREIGN PATENT DOCUMENTS

EM	000119649-0002	4/2004
EM	000119649-0003	4/2004
EM	000119649-0004	4/2004
EM	000119656-0001	10/2005
EM	000119656-0002	10/2005
EM	000119656-0003	10/2005
EM	000119656-0004	10/2005
EM	000119656-0005	10/2005
WO	DM/065946	11/2004
WO	DM/066071	11/2004
WO	DM/066599	4/2005

## OTHER PUBLICATIONS

Nokia 6630 telephone, announced 2nd quarter 2004, [online], [retrieved on Sep. 29, 2006]. Retrieved from Internet, <<http://www.gsmarena.com>>.

Bird S580 telephone, announced 1st quarter 2005, [online], [retrieved on Sep. 29, 2006]. Retrieved from Internet, <<http://www.gsmarena.com>>.

Alcatel OT-E157 Telephone, announced 1st quarter 2005, [online], [retrieved on Sep. 29, 2006]. Retrieved from Internet, <<http://www.gsmarena.com>>.

Siemens AX75 Telephone, announced 1st quarter 2005, [online], [retrieved on Sep. 29, 2006]. Retrieved from Internet, <<http://www.gsmarena.com>>.

Samsung X700 Telephone, announced 1st quarter 2005, [online], [retrieved on Sep. 29, 2006]. Retrieved from Internet, <<http://www.gsmarena.com>>.

\* cited by examiner

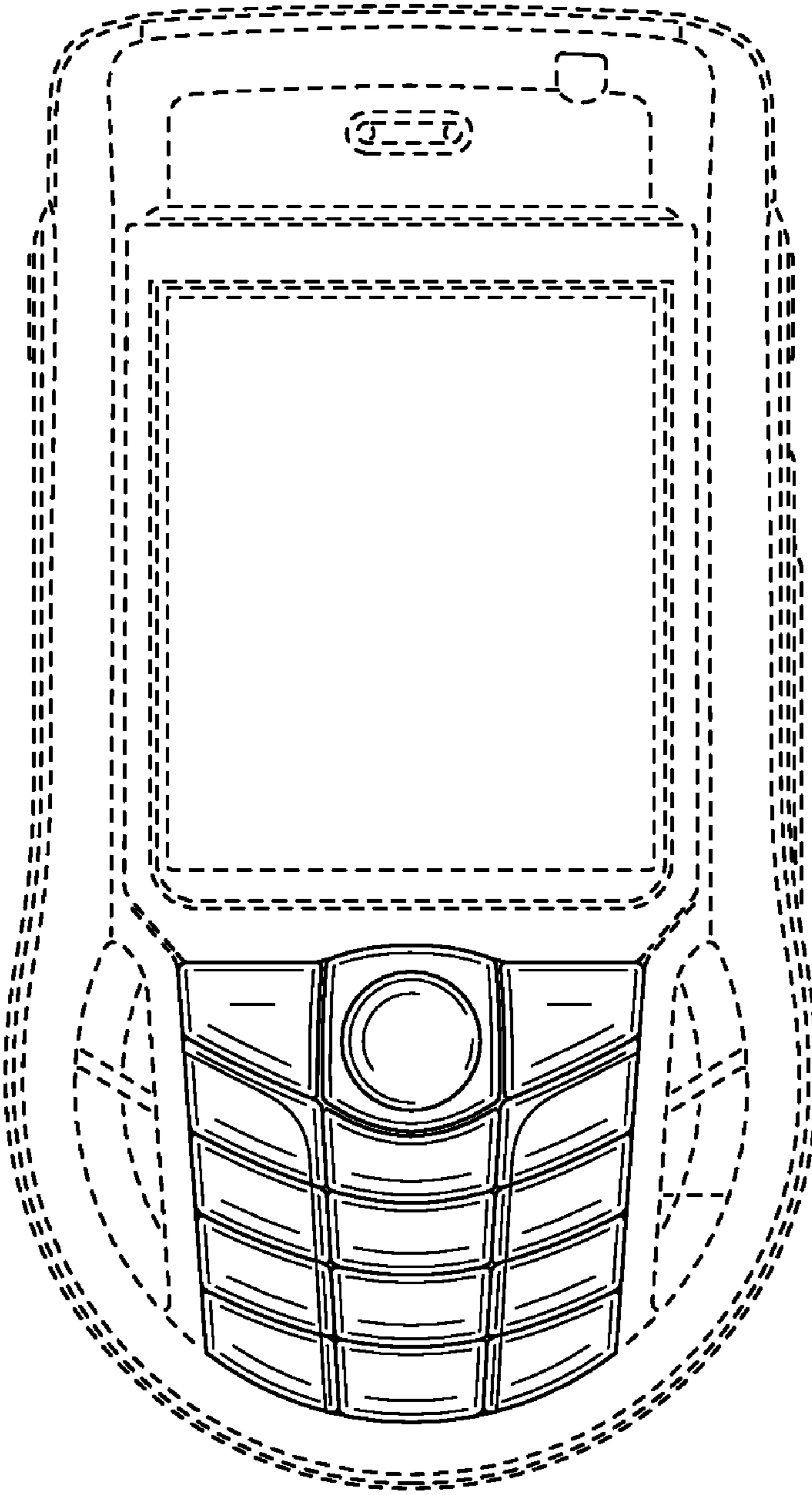


FIG. 1

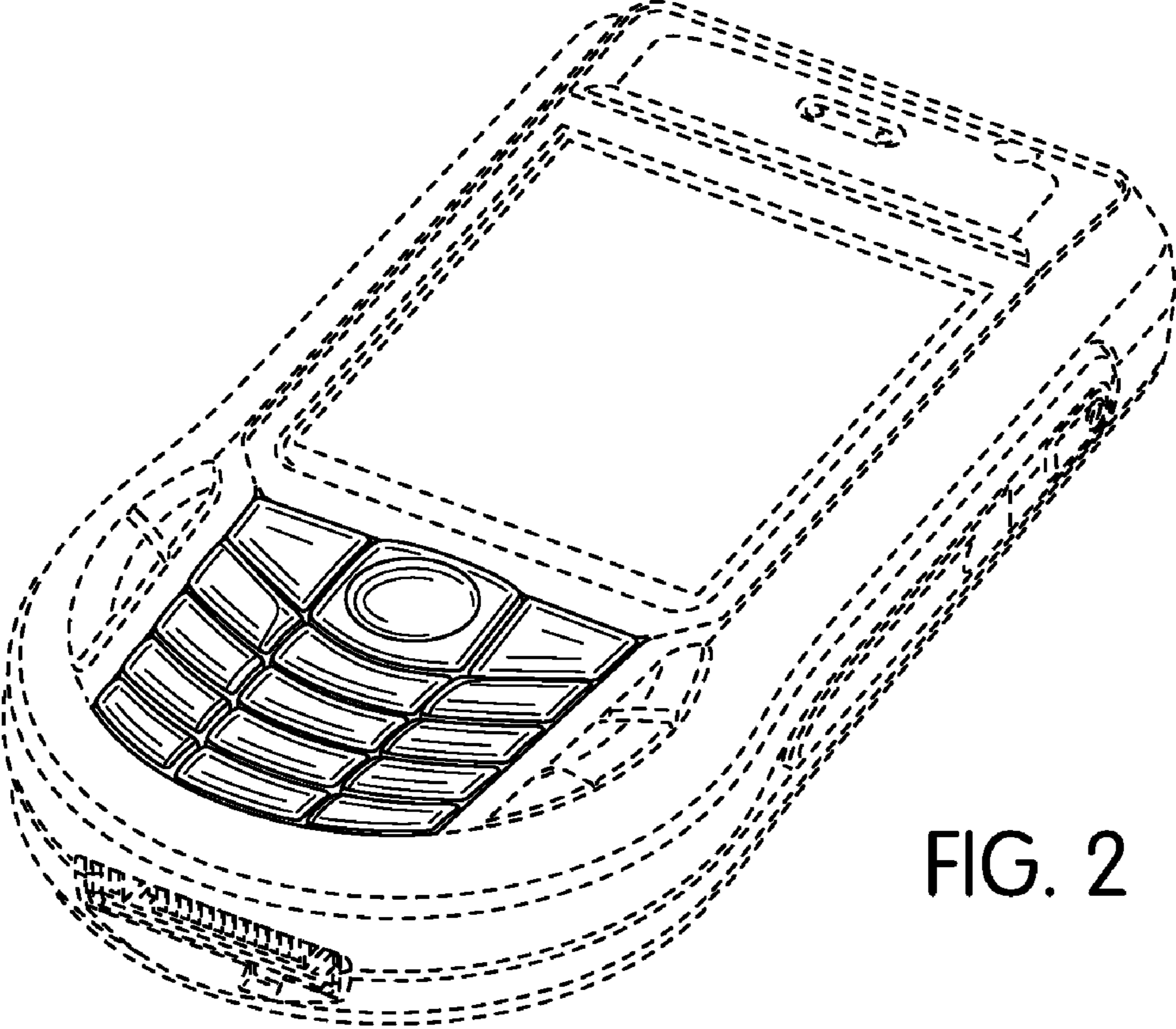


FIG. 2