



US00D561748S

(12) **United States Design Patent** (10) **Patent No.:** **US D561,748 S**  
**Sculler et al.** (45) **Date of Patent:** **\*\* Feb. 12, 2008**

(54) **FLAT PANEL DISPLAY MOUNT**

(75) Inventors: **Steven J. Sculler**, Morganville, NJ (US); **Michael P. Zambelli**, Basking Ridge, NJ (US); **In-Young Jang**, Ridgefield, NJ (US); **Jimmy An**, South Plainfield, NJ (US)

(73) Assignee: **Bell'O International Corp.**, Morganville, NJ (US)

(\*\*) Term: **14 Years**

(21) Appl. No.: **29/270,721**

(22) Filed: **Dec. 28, 2006**

(51) **LOC (8) Cl.** ..... **14-03**

(52) **U.S. Cl.** ..... **D14/239**

(58) **Field of Classification Search** ..... D14/239, D14/451-454, 224, 316, 375-377, 432, 439, D14/447, 448, 455, 457, 469; D8/363, 373, D8/349, 394; 248/278.1, 279.1, 514, 291.1, 248/125.1, 121, 124.1, 125.7, 276.1, 415, 248/284.1, 286.1, 281.11, 292.11, 181.2, 248/917-921, 126-128, 133, 178.1, 183.1, 248/183.2, 346.01, 346.03, 349.1, 371, 473, 248/474, 512; 348/825, 827, 836, 837; 600/443  
See application file for complete search history.

(56) **References Cited**

**U.S. PATENT DOCUMENTS**

5,007,608	A *	4/1991	Carroll, Jr.	248/297.21
5,271,590	A *	12/1993	Rosen	248/222.13
5,553,820	A *	9/1996	Karten et al.	248/286.1
5,687,945	A *	11/1997	Lee	248/442.2
5,941,488	A *	8/1999	Rosen	248/278.1
6,015,120	A *	1/2000	Sweere et al.	248/123.11
6,402,109	B1	6/2002	Dittmer	
6,454,234	B1 *	9/2002	Westbrook	248/317
6,543,734	B2	4/2003	Yeh et al.	
6,554,242	B2	4/2003	Kim et al.	
6,559,829	B1	5/2003	Matsuo et al.	

6,604,722	B1	8/2003	Tan et al.	
D494,978	S	8/2004	Pfister	
D495,713	S	9/2004	Pfister et al.	
6,886,701	B2	5/2005	Hong et al.	
7,152,836	B2 *	12/2006	Pfister et al.	248/292.14
2002/0033436	A1	3/2002	Peng et al.	
2002/0179791	A1	12/2002	Kwon	
2002/0179801	A1	12/2002	Kim	
2004/0211870	A1	10/2004	Bremmon et al.	
2004/0232298	A1	11/2004	Bremmon et al.	
2005/0061937	A1	3/2005	Kim	
2005/0152102	A1	7/2005	Shin	
2005/0236542	A1	10/2005	O'Neill	
2005/0242254	A1	11/2005	Dozier	
2005/0263671	A1	12/2005	Lo	
2005/0274858	A1	12/2005	Fedewa	

\* cited by examiner

*Primary Examiner*—Raphael Barkai  
*Assistant Examiner*—Randall H Gholson  
(74) *Attorney, Agent, or Firm*—Lerner, David, Littenberg, Krumholz & Mentlik, LLP

(57) **CLAIM**

The ornamental design for a flat panel display mount, as shown and described.

**DESCRIPTION**

FIG. 1 is a front perspective view of our design for a flat panel display mount;  
FIG. 2 is a rear elevational view thereof;  
FIG. 3 is a left side view thereof;  
FIG. 4 is a right side view thereof;  
FIG. 5 is a top plan view thereof; and,  
FIG. 6 is a bottom plan view thereof.

The broken lines shown on the drawings is included for the purpose of illustration and forms no part of the claimed design.

**1 Claim, 6 Drawing Sheets**

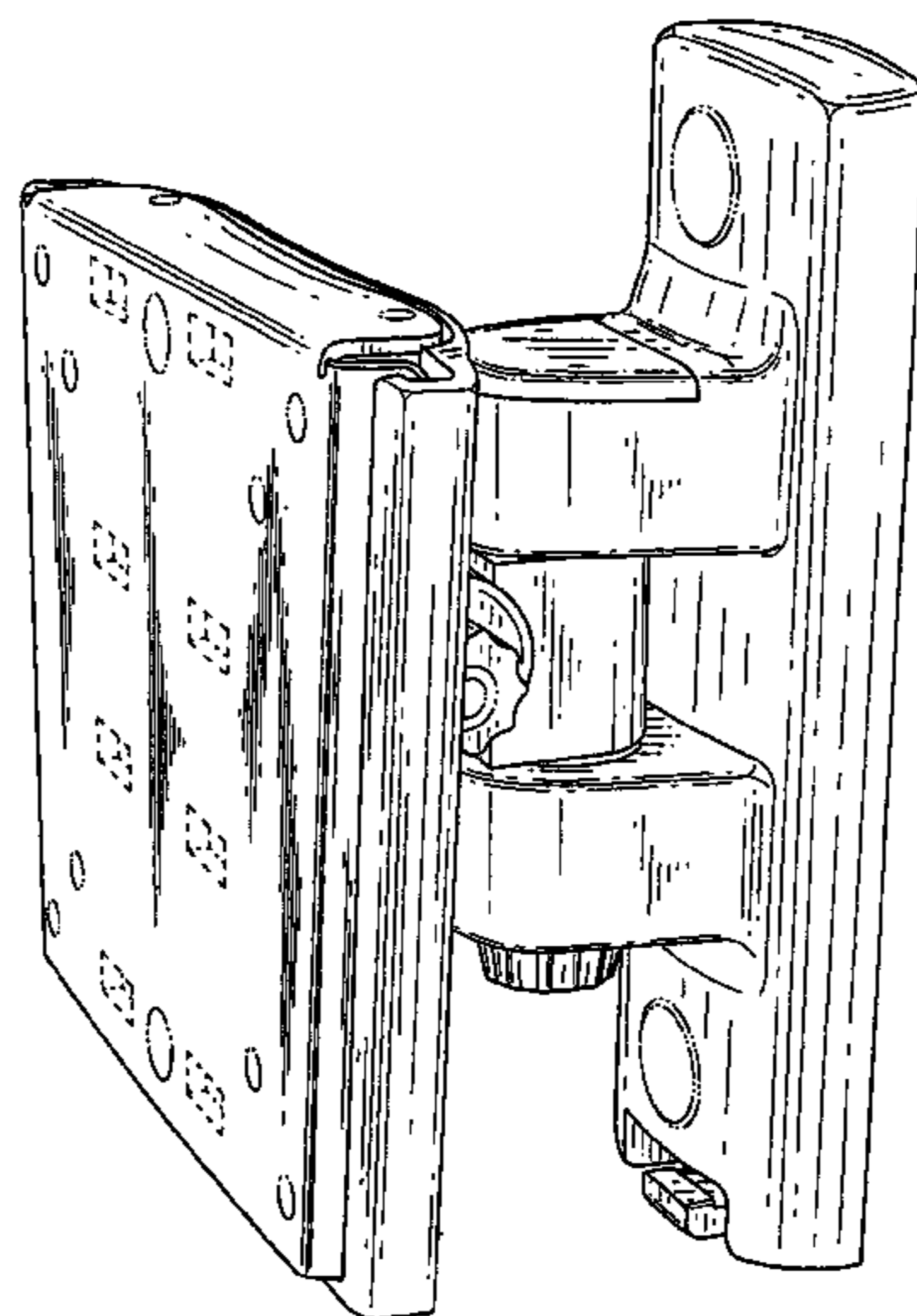


FIG. 1

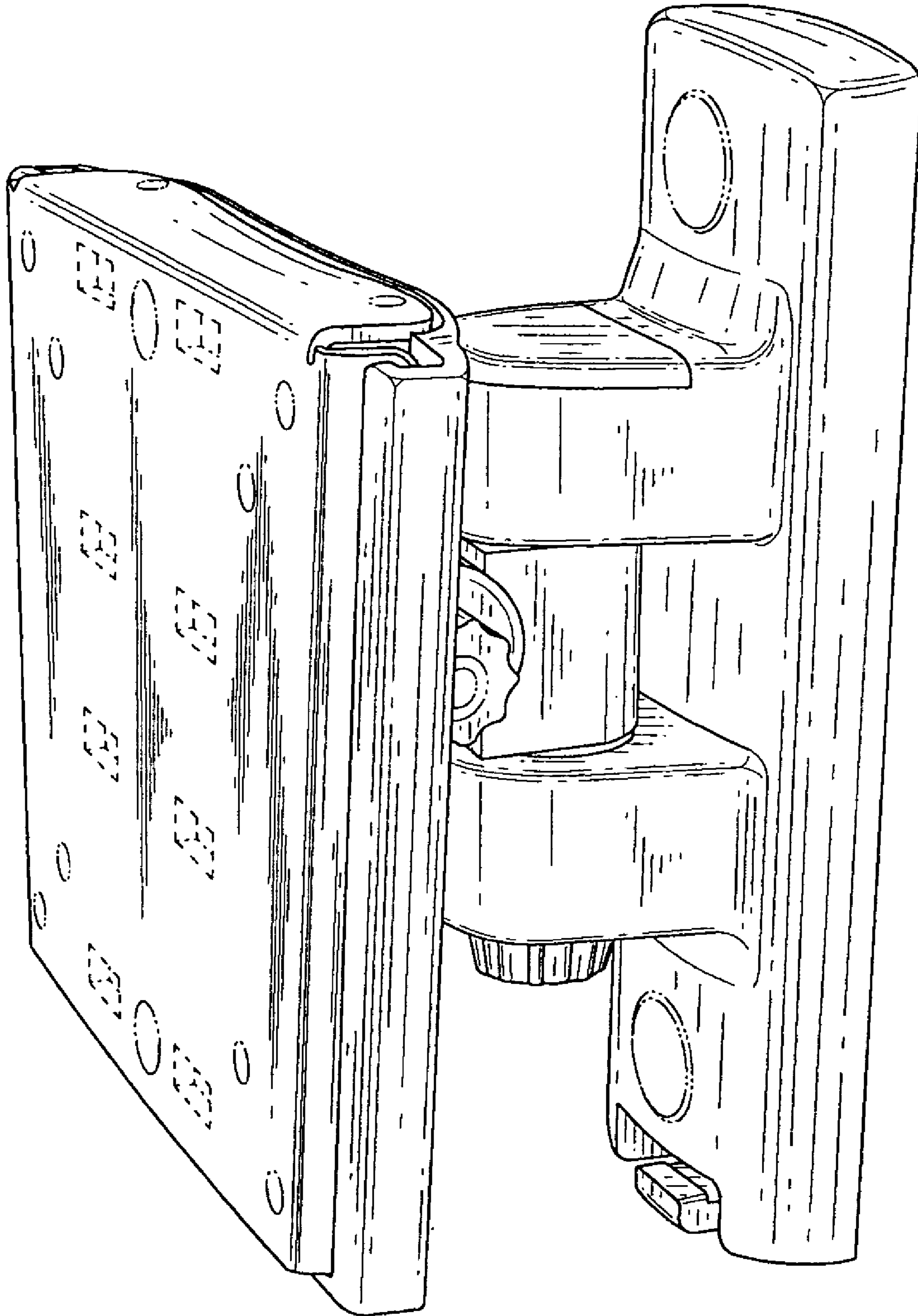


FIG. 2

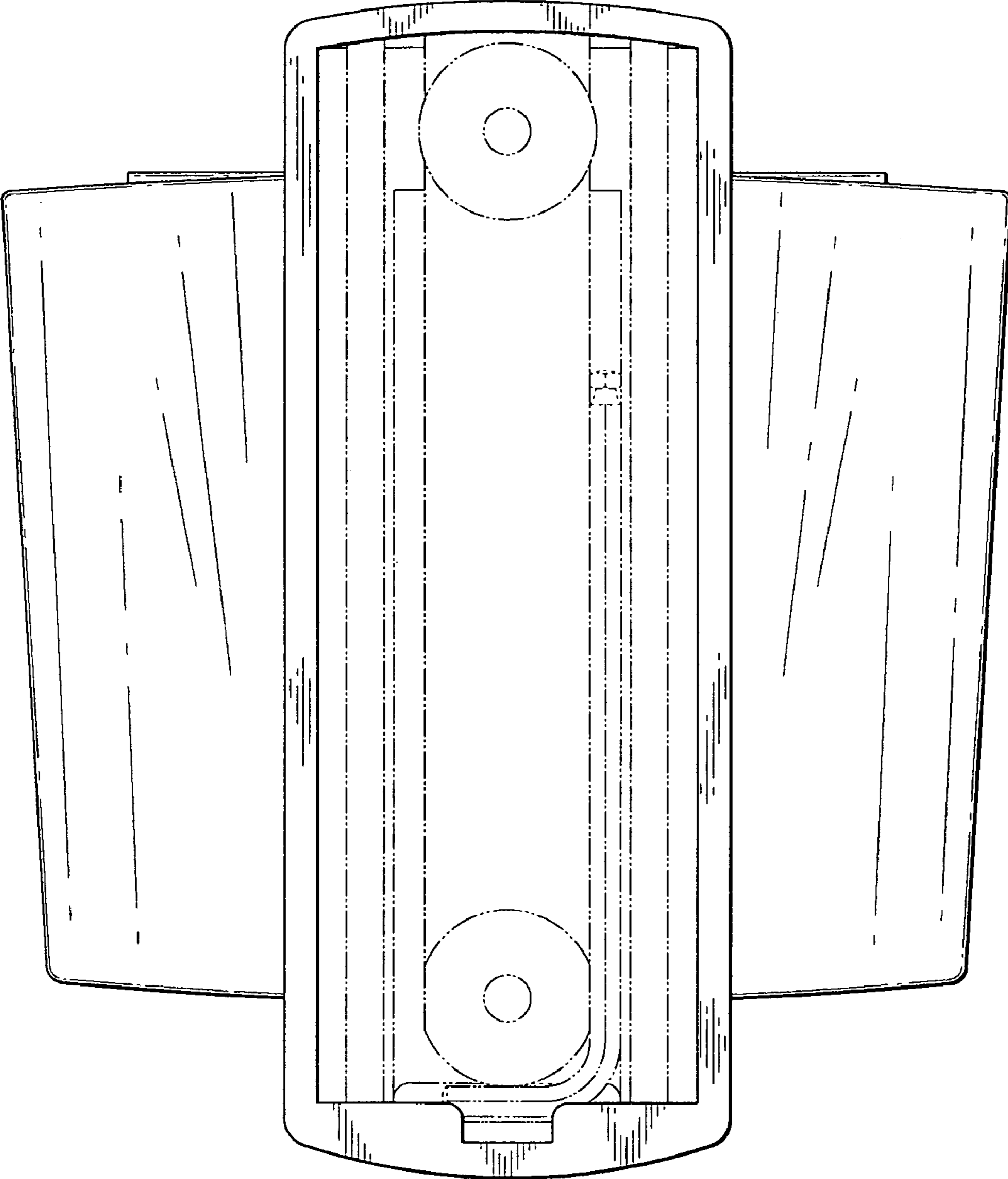


FIG. 3

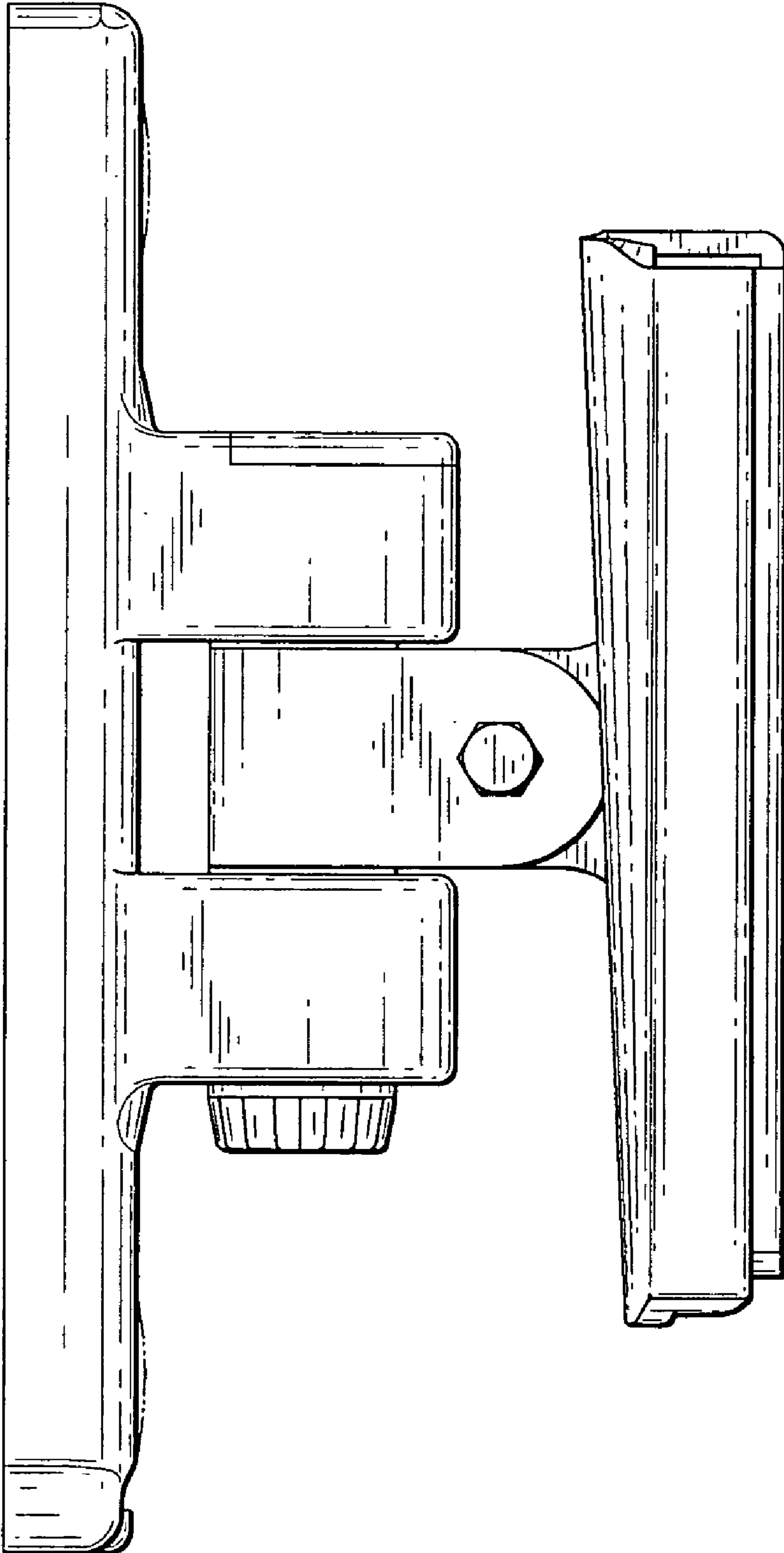


FIG. 4

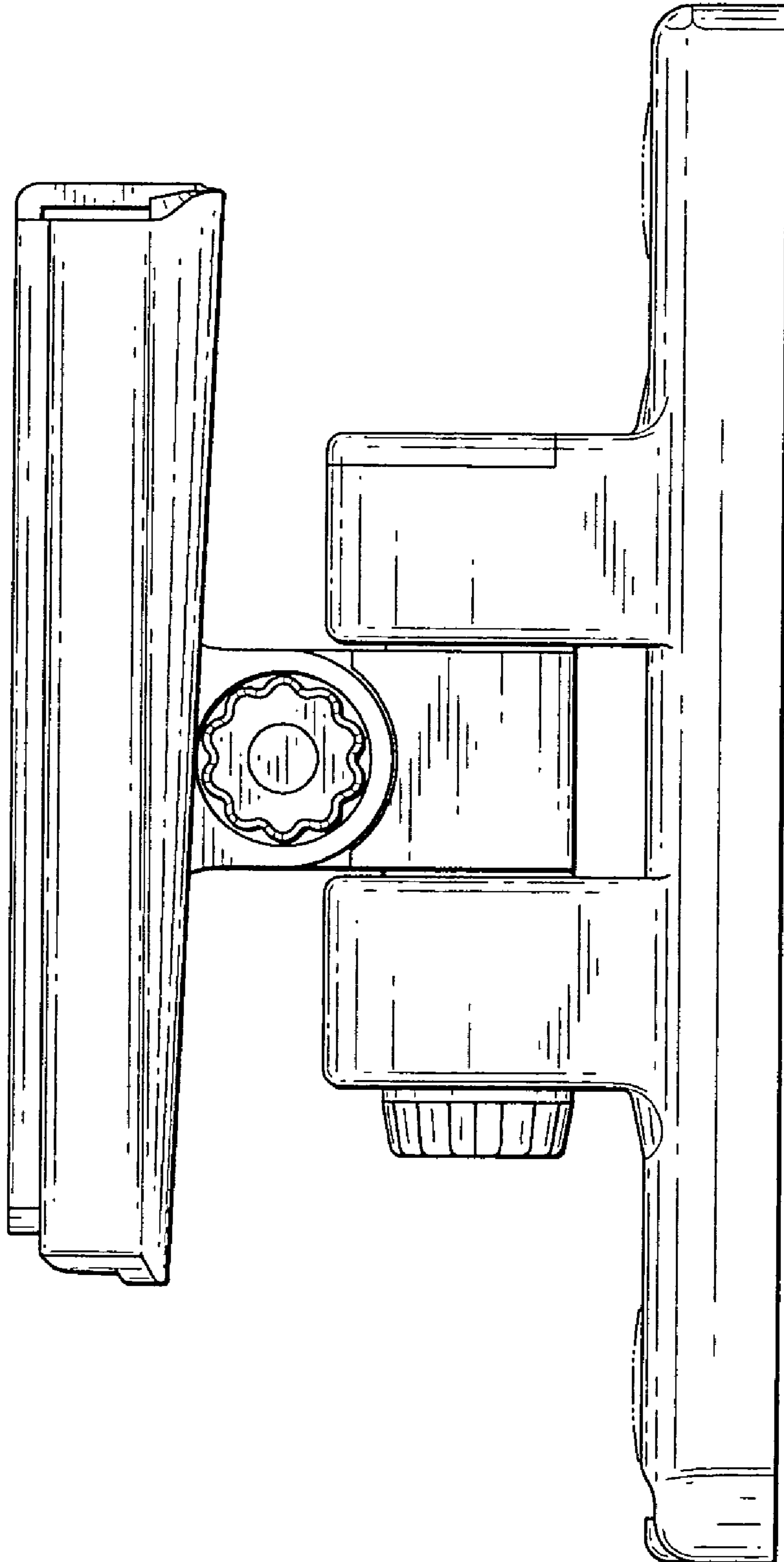


FIG. 5

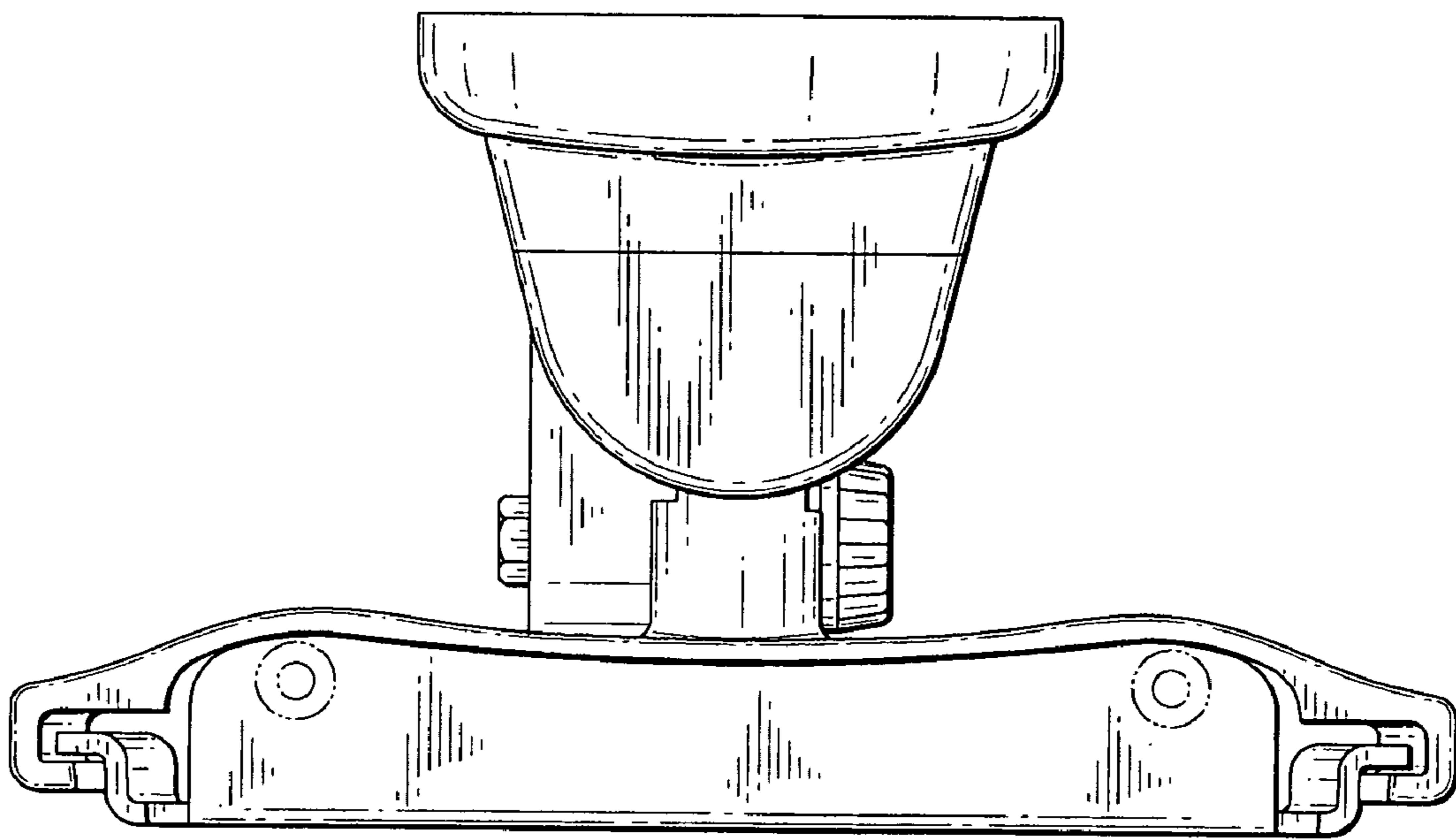


FIG. 6

