

US00D561740S

(12) **United States Design Patent**
Christianson

(10) **Patent No.:** **US D561,740 S**
(45) **Date of Patent:** **** Feb. 12, 2008**

(54) **MEDIA DEVICE**

(75) Inventor: **Tristan M. Christianson**, San Francisco, CA (US)

(73) Assignee: **Sharper Image Corporation**, San Francisco, CA (US)

(**) Term: **14 Years**

(21) Appl. No.: **29/247,772**

(22) Filed: **Jul. 11, 2006**

(51) **LOC (8) Cl.** **14-01**

(52) **U.S. Cl.** **D14/211; D14/168**

(58) **Field of Classification Search** D14/204, D14/209-216, 168, 172, 496, 341, 251; D3/273, D3/294, 218; 181/143-148, 150, 157, 198-199, 181/151, 153; 381/300-302, 306, 333, 345, 381/361-364, 386-388, 332, 336; 206/305, 206/320; 361/683, 686

See application file for complete search history.

(56) **References Cited**

U.S. PATENT DOCUMENTS

2,392,787	A	1/1946	Vermot
D216,853	S	3/1970	Schurman
D220,233	S	3/1971	Schurman
3,590,988	A	7/1971	Hollar
3,683,530	A	8/1972	Robinson
4,450,495	A	5/1984	Naruki
D275,822	S	10/1984	Gatland et al.
4,580,653	A	4/1986	Owens
4,683,587	A	7/1987	Silverman
4,703,161	A	10/1987	McLean
4,742,478	A	5/1988	Nigro, Jr. et al.
4,762,227	A	8/1988	Patterson
5,092,459	A	3/1992	Uljanic et al.
D327,646	S	7/1992	Hardigg et al.

D329,747	S	9/1992	Embree
D330,329	S	10/1992	Brightbill
5,175,671	A	12/1992	Sasaki
5,175,873	A	12/1992	Goldenberg et al.
D335,220	S	5/1993	Ward et al.
D342,609	S	12/1993	Brightbill

(Continued)

Primary Examiner—Nanda Bondade
(74) *Attorney, Agent, or Firm*—Bell, Boyd & Lloyd LLP

(57) **CLAIM**

I claim the ornamental design for a media device, as shown and described herein.

DESCRIPTION

FIG. 1 is a front perspective view of a media player showing my new design;

FIG. 2 is rear perspective view thereof;

FIG. 3 is a front elevational view thereof;

FIG. 4 is a rear elevational view thereof;

FIG. 5 is a right side elevational view thereof;

FIG. 6 is a top plan view thereof;

FIG. 7 is a front perspective view of FIG. 1, shown without the media player for clarity of illustration;

FIG. 8 is a rear perspective view of FIG. 7;

FIG. 9 is a front elevational view FIG. 7;

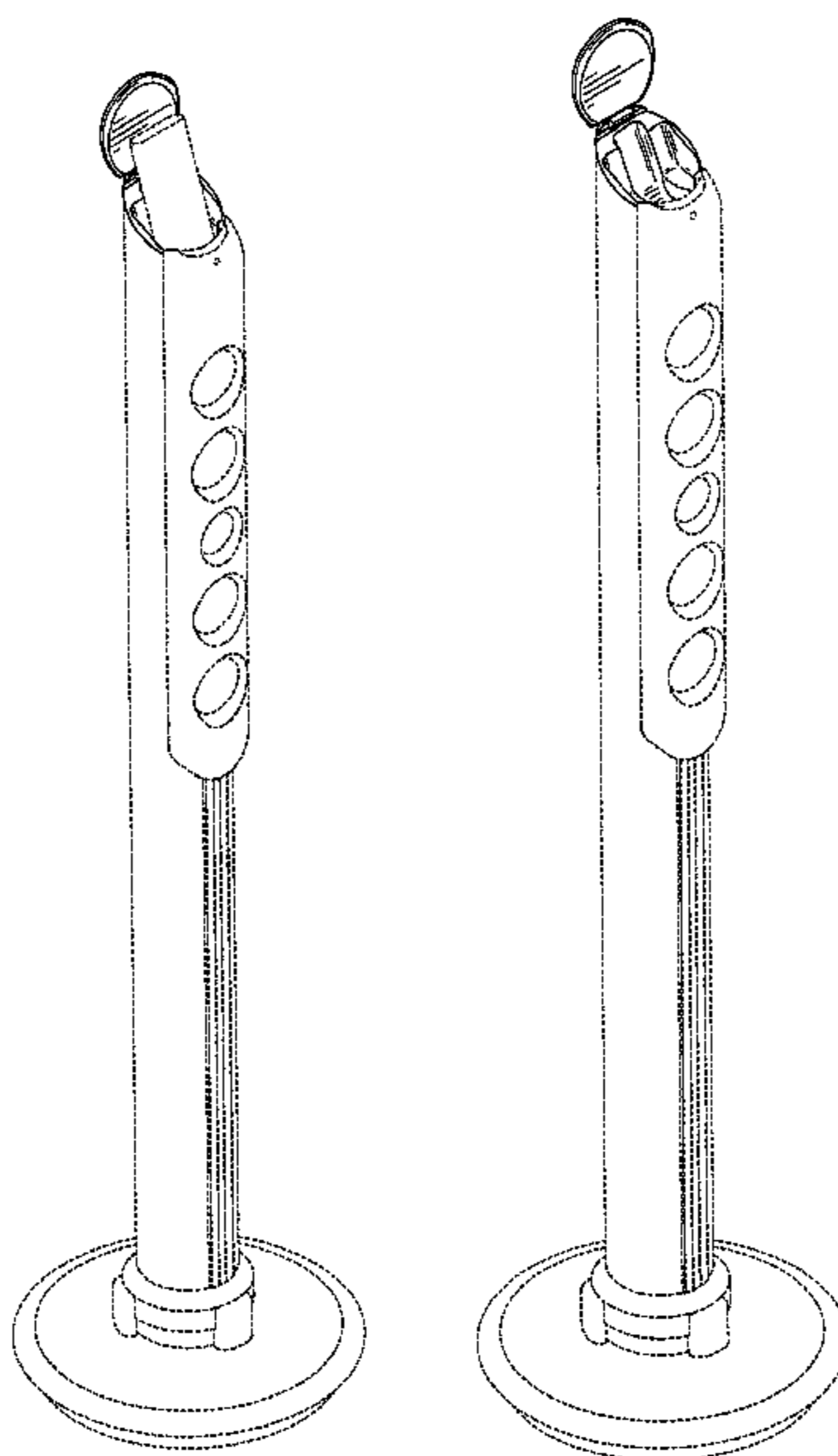
FIG. 10 is a rear elevational view FIG. 7;

FIG. 11 is a right side elevational view FIG. 7; and,

FIG. 12 is a top plan view FIG. 7.

The broken line showing on the drawing disclosure is for illustrative purposes only and forms no part of the claimed design.

1 Claim, 12 Drawing Sheets



US D561,740 S

Page 2

U.S. PATENT DOCUMENTS

5,283,862 A	2/1994	Lund	6,396,769 B1	5/2002	Polany
D347,324 S	5/1994	Dickinson	6,415,138 B2	7/2002	Sirola et al.
D347,732 S	6/1994	Wentz	D462,950 S *	9/2002	Waffensmith et al. D14/251
D353,048 S	12/1994	VanSkiver et al.	6,445,577 B1	9/2002	Madsen et al.
5,546,468 A	8/1996	Beard	6,456,487 B1	9/2002	Hetterick et al.
5,592,362 A	1/1997	Ohgami et al.	D464,196 S	10/2002	Parker
D381,512 S	7/1997	Green	6,471,056 B1	10/2002	Tzeng
5,647,007 A	7/1997	Wooderson et al.	D465,330 S	11/2002	Parker
5,675,426 A	10/1997	Meisner et al.	D470,659 S	2/2003	Story et al.
D386,611 S	11/1997	Sheu	6,519,141 B2	2/2003	Tseng et al.
5,732,140 A	3/1998	Thayer	6,525,928 B1	2/2003	Madsen et al.
5,802,194 A	9/1998	Yamagishi et al.	6,536,589 B2	3/2003	Chang
D402,105 S	12/1998	Erickson	D472,384 S	4/2003	Richardson
D409,374 S	5/1999	Laba et al.	6,614,722 B2	9/2003	Polany et al.
D412,062 S	7/1999	Potter et al.	6,617,973 B1	9/2003	Osterman
D413,202 S	8/1999	Schmitt et al.	6,618,042 B1	9/2003	Powell
D413,203 S	8/1999	Zurwelle et al.	6,646,864 B2	11/2003	Richardson et al.
5,933,507 A	8/1999	Woolley et al.	6,659,274 B2	12/2003	Enners
5,979,591 A	11/1999	Harrison	6,665,174 B1	12/2003	Derr et al.
D419,297 S	1/2000	Richardson et al.	6,742,185 B1	5/2004	Andrews
D419,767 S	2/2000	Richardson et al.	6,778,385 B2	8/2004	Forlenza et al.
D419,768 S	2/2000	Richardson et al.	6,819,939 B2	11/2004	Masamura
6,031,524 A	2/2000	Kunert	6,933,928 B1	8/2005	Lilienthal
6,041,924 A	3/2000	Tajima	D513,123 S	12/2005	Richardson et al.
6,049,813 A	4/2000	Danielson et al.	D513,451 S	1/2006	Richardson et al.
D423,772 S	5/2000	Cooper et al.	D514,808 S	2/2006	Morine et al.
6,057,659 A	5/2000	Akiyama et al.	6,995,976 B2	2/2006	Richardson
6,068,119 A	5/2000	Derr et al.	D516,309 S	3/2006	Richardson et al.
6,088,620 A	7/2000	Ninomiya et al.	D516,553 S	3/2006	Richardson et al.
D429,884 S	8/2000	Zurwelle et al.	D516,554 S	3/2006	Richardson et al.
6,094,785 A	8/2000	Montgomery et al.	D516,807 S	3/2006	Richardson et al.
6,115,426 A	9/2000	Fujimoto et al.	D526,780 S	8/2006	Richardson et al.
D433,798 S	11/2000	Weinstock	D527,018 S *	8/2006	Christianson D14/496
6,151,218 A	11/2000	Piridy et al.	7,088,575 B2 *	8/2006	Chiu et al. 361/679
6,169,847 B1	1/2001	Mizoguchi et al.	7,095,867 B2	8/2006	Schul et al.
6,176,346 B1	1/2001	Wiener	D530,079 S	10/2006	Thomas et al.
6,178,514 B1	1/2001	Wood	7,158,376 B2	1/2007	Richardson et al.
D439,407 S	3/2001	Parker	7,180,735 B2	2/2007	Thomas et al.
6,215,474 B1	4/2001	Shah	D542,524 S	5/2007	Richardson et al.
D441,954 S	5/2001	Parker	7,230,822 B2	6/2007	Landberg et al.
6,239,968 B1	5/2001	Kim et al.	2002/0064981 A1	5/2002	Yu et al.
D443,133 S	6/2001	Richardson et al.	2002/0101707 A1	8/2002	Canova et al.
6,273,252 B1	8/2001	Mitchell	2002/0146140 A1	10/2002	Chiu
6,301,100 B1	10/2001	Iwata	2004/0120219 A1	6/2004	Polany et al.
6,313,892 B2	11/2001	Gleckman	2004/0212968 A1	10/2004	Lin
6,317,313 B1	11/2001	Mosgrove et al.	2004/0268004 A1	12/2004	Oakley
6,374,148 B1	4/2002	Dharmarajan et al.	2005/0047104 A1	3/2005	Grunow et al.
6,388,877 B1	5/2002	Canova, Jr. et al.	2005/0053365 A1	3/2005	Adams et al.
6,392,871 B1	5/2002	Yanase	2005/0088620 A1	4/2005	Dwyer et al.
6,392,880 B1	5/2002	Forlenza et al.	2006/0109388 A1	5/2006	Sanders et al.

* cited by examiner

FIG.1

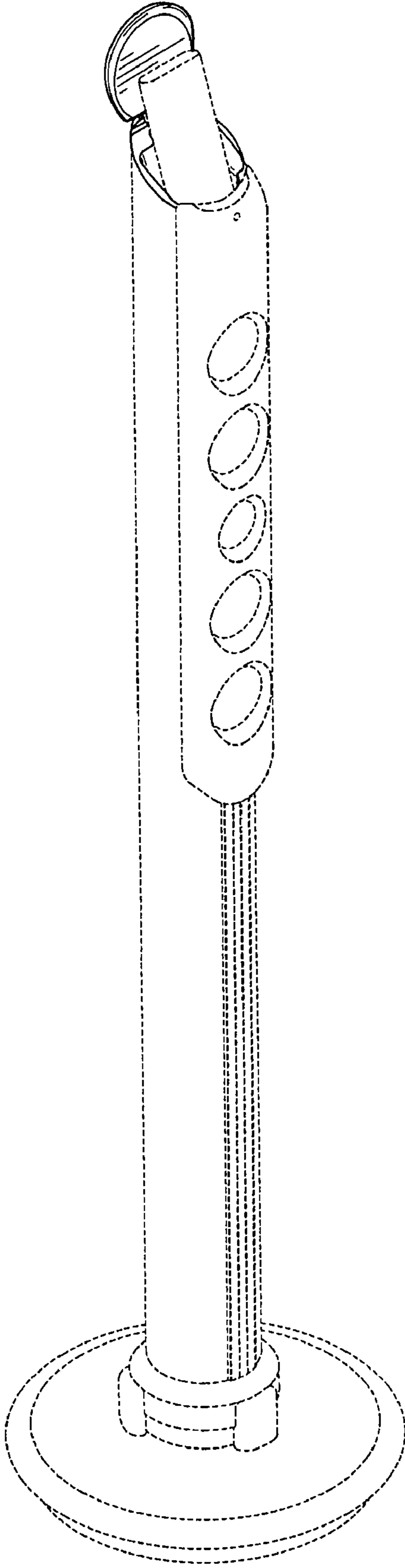


FIG. 2

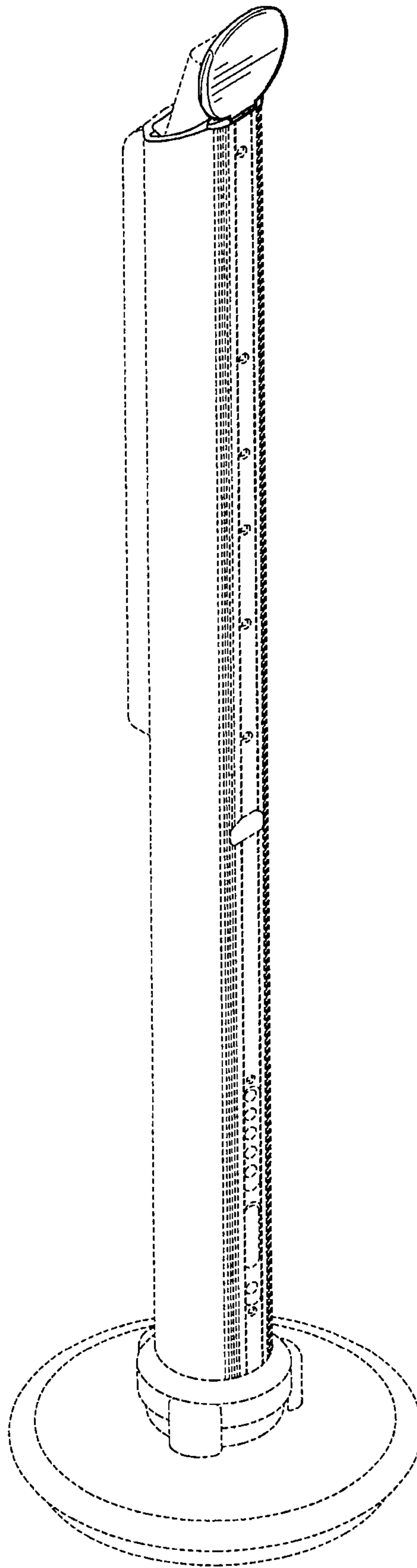


FIG. 3

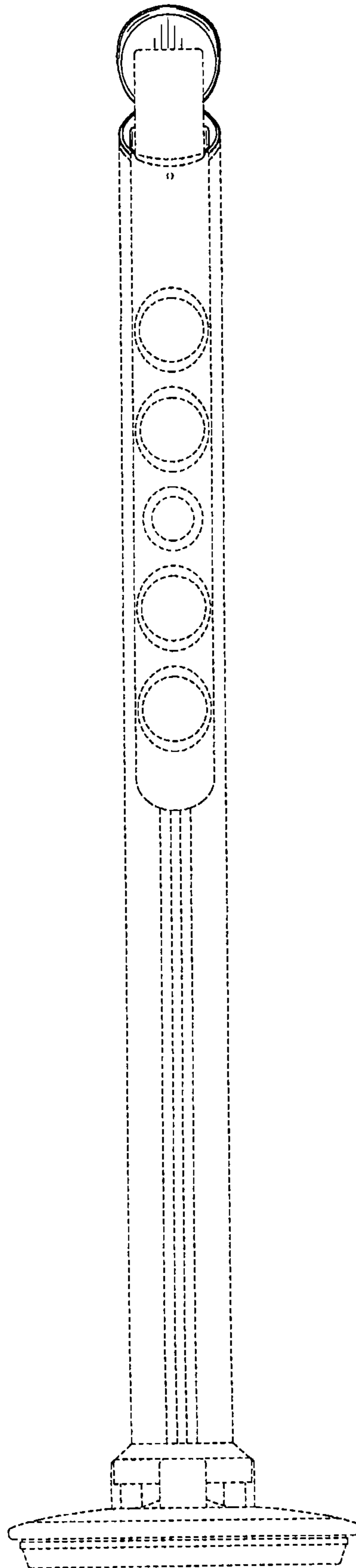


FIG. 4

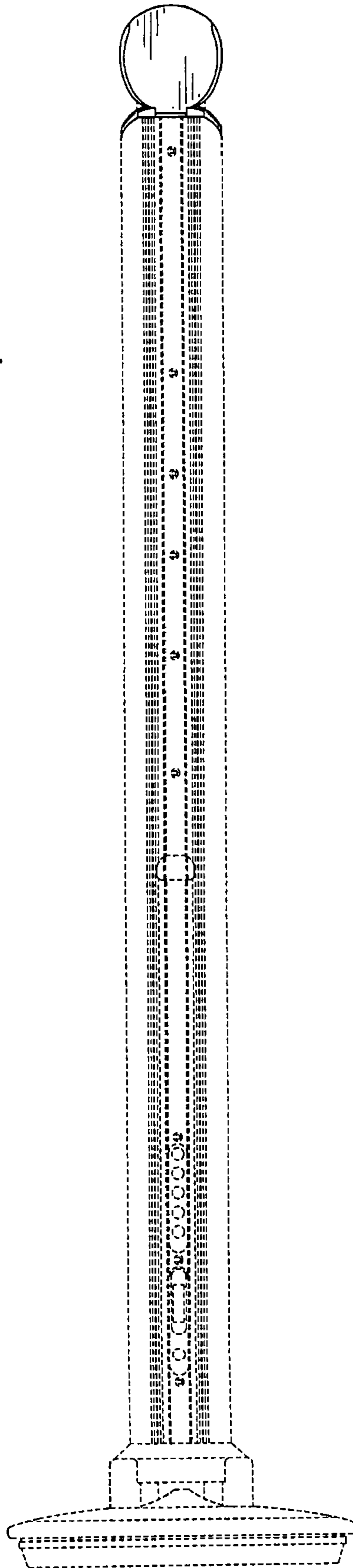


FIG. 5

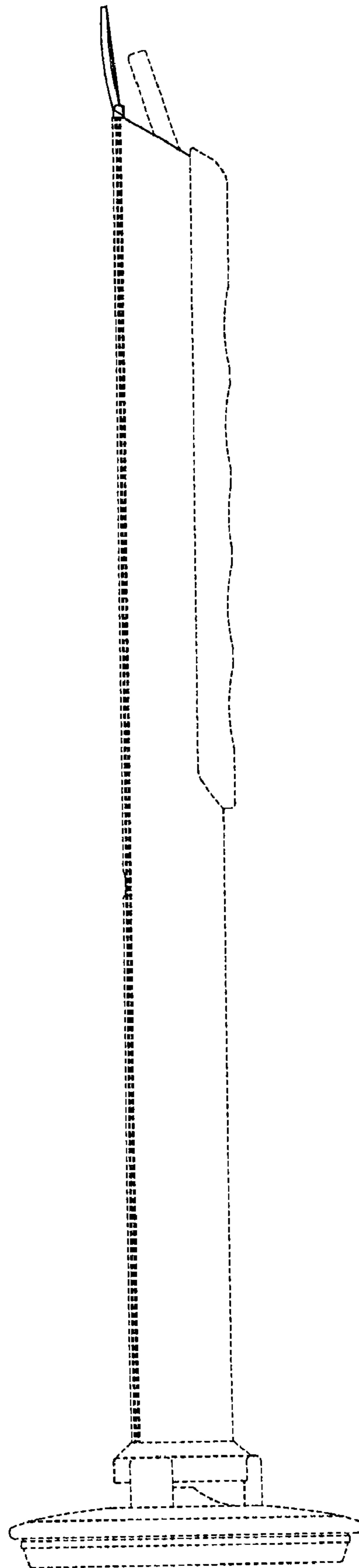


FIG. 6

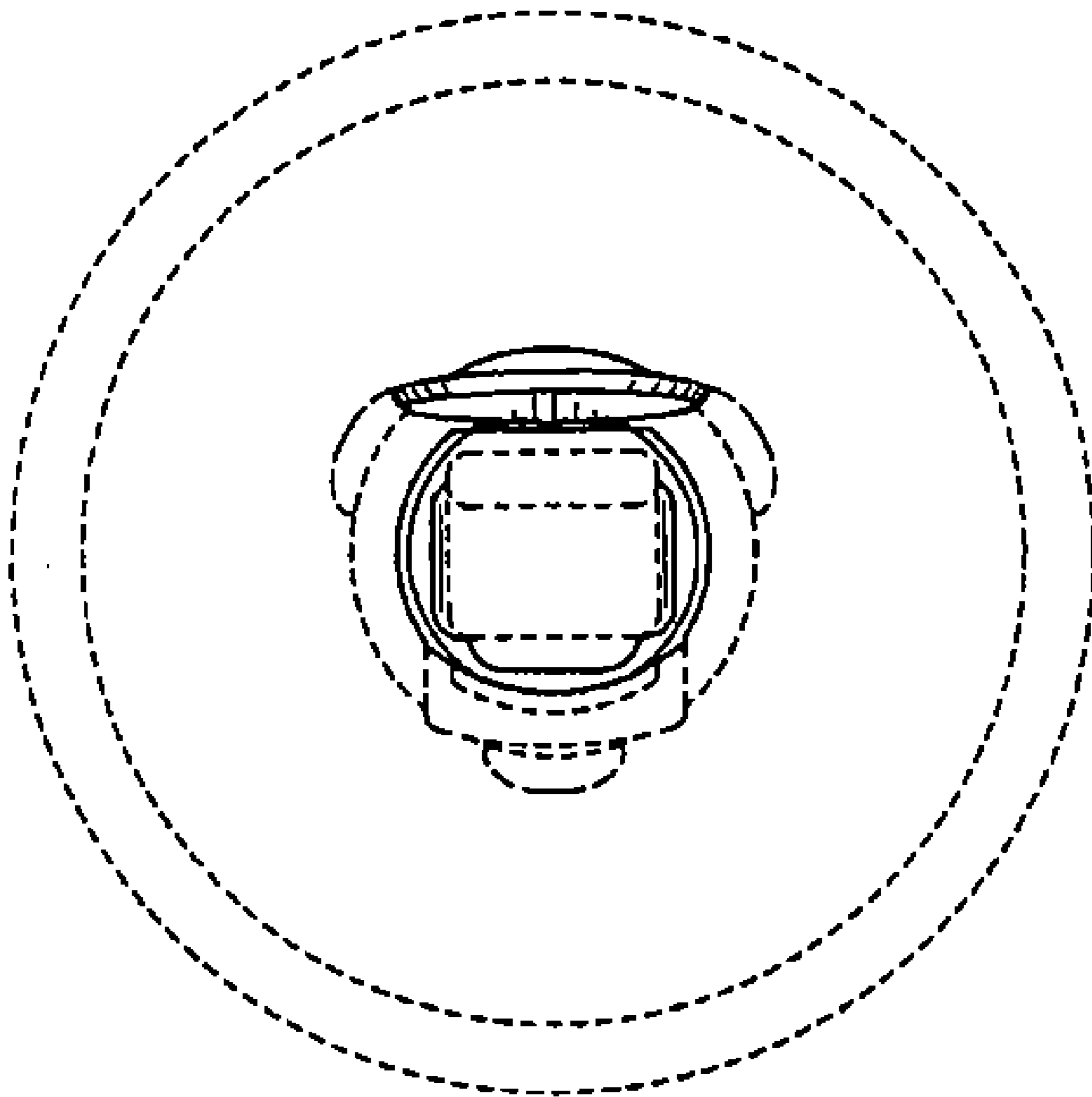


FIG. 7

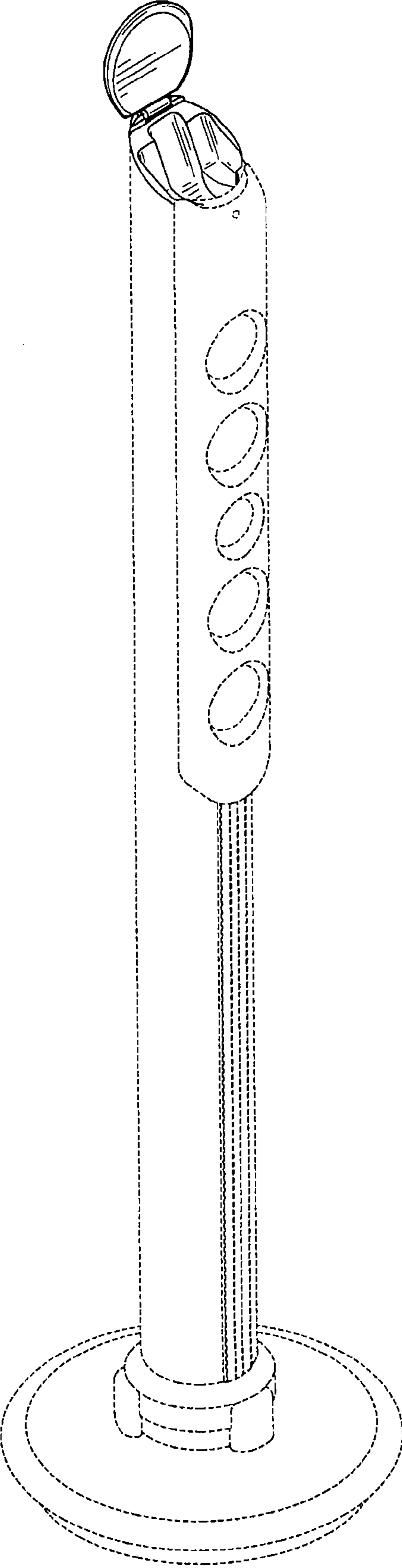


FIG. 8

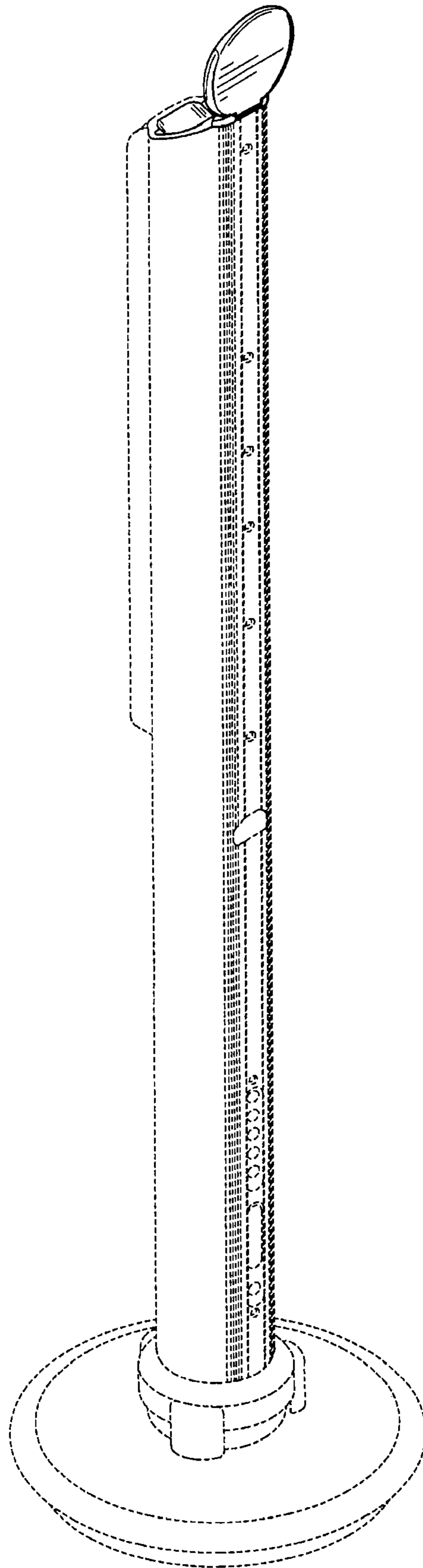


FIG. 9

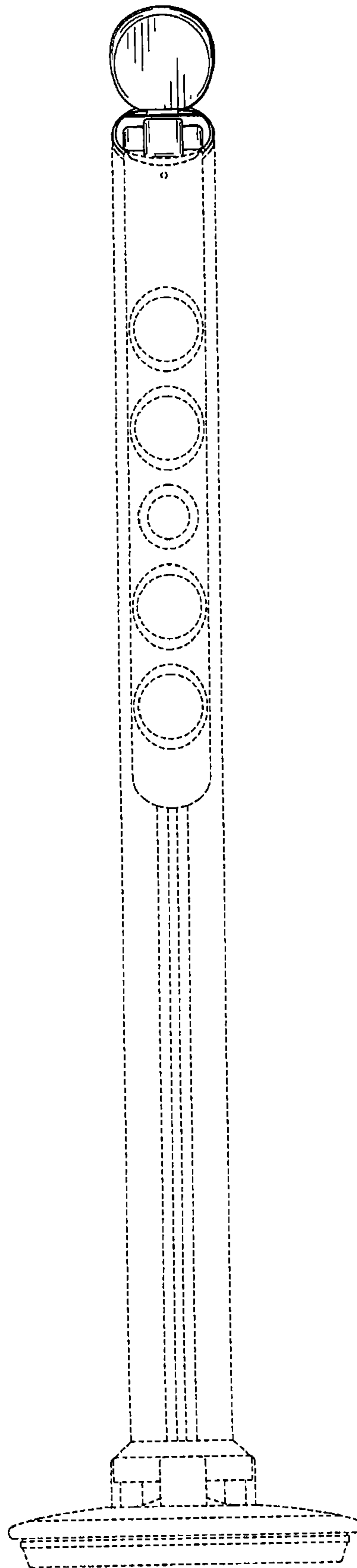


FIG. 10

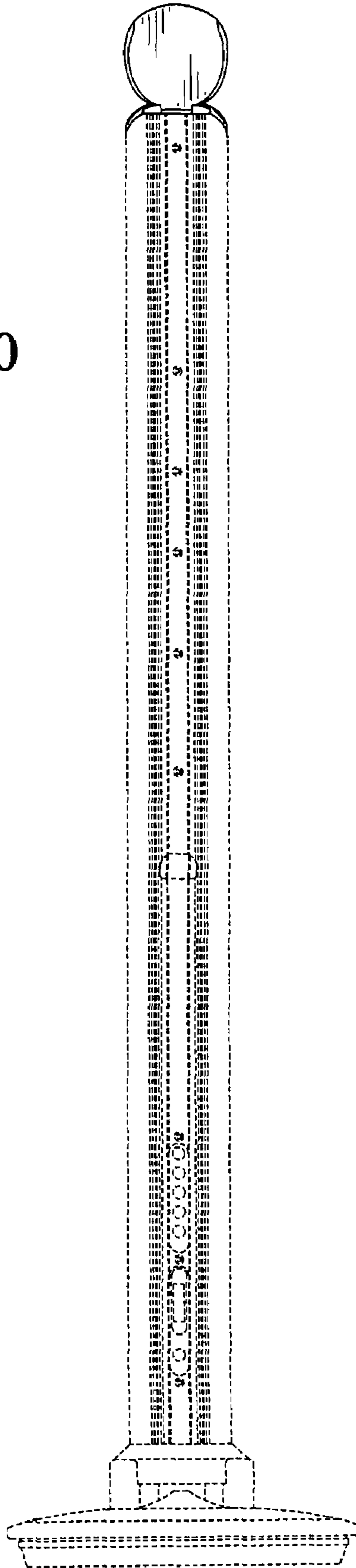


FIG.11

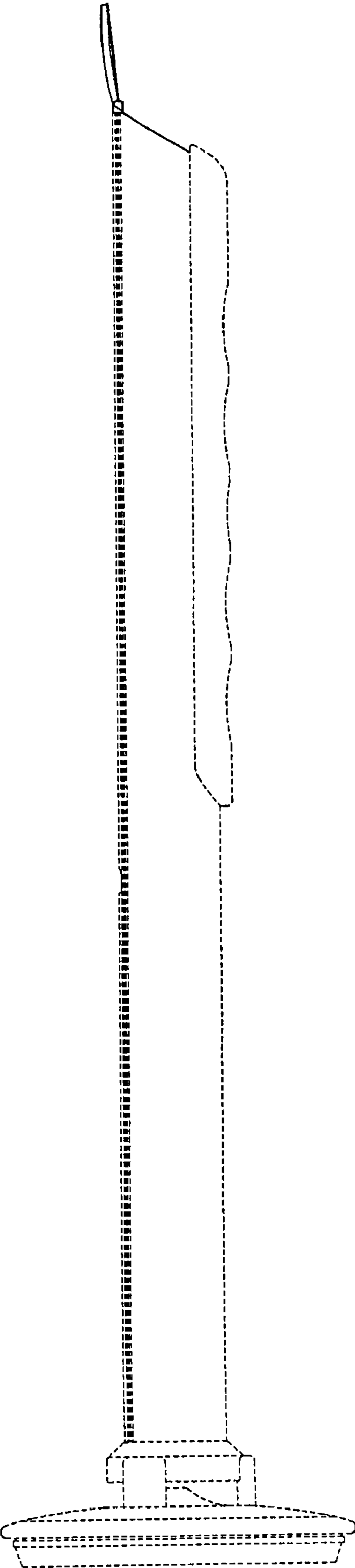


FIG. 12

