

US00D561738S

(12) **United States Design Patent**
Ikeda et al.

(10) **Patent No.:** **US D561,738 S**
(45) **Date of Patent:** **** Feb. 12, 2008**

(54) **PORTION OF A HEADSET**

(75) Inventors: **John Ikeda**, Seattle, WA (US); **Jared Randall**, Seattle, WA (US)

(73) Assignee: **Microsoft Corporation**, Redmond, WA (US)

(**) Term: **14 Years**

(21) Appl. No.: **29/275,200**

(22) Filed: **Dec. 15, 2006**

(51) **LOC (8) Cl.** **14-01**

(52) **U.S. Cl.** **D14/205; D14/223**

(58) **Field of Classification Search** D14/205–206, D14/223, 251, 253, 192, 147, 188, 240, 248, D14/249, 254; D24/173, 174; 379/430; 181/129–130; 381/381, 383, 385, 334, 373, 381/375, 370, 374, 379; D11/75, 86
See application file for complete search history.

(56) **References Cited**

U.S. PATENT DOCUMENTS

D237,090	S	*	10/1975	Yanagawa	D14/205
4,020,297	A	*	4/1977	Brodie	379/430
D249,878	S	*	10/1978	Sokoloski	D11/86
4,791,673	A	*	12/1988	Schreiber	381/151
5,537,812	A	*	7/1996	Rozenwasser	59/80
6,104,824	A	*	8/2000	Ito	381/381

6,320,960	B1	*	11/2001	Lathrop et al.	379/430
6,377,697	B1	*	4/2002	Cheng	381/381
6,396,935	B1	*	5/2002	Makkonen	381/334
6,427,018	B1	*	7/2002	Keliiliki	381/381
6,771,790	B2	*	8/2004	Liu	381/385
D524,795	S	*	7/2006	Cohen et al.	D14/206

* cited by examiner

Primary Examiner—Paula A. Greene

(74) *Attorney, Agent, or Firm*—Banner & Witcoff, Ltd.

(57) **CLAIM**

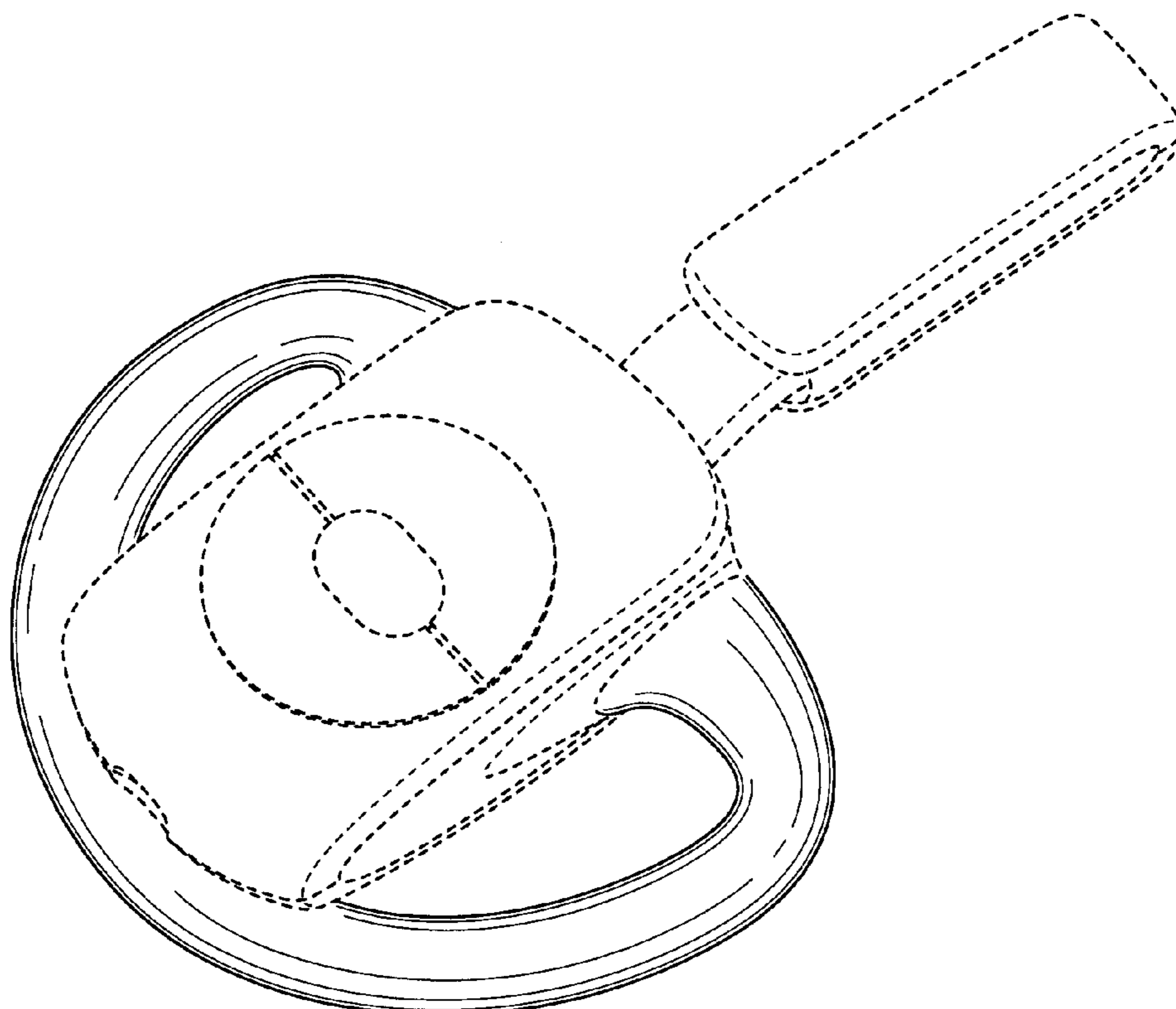
The ornamental design for a portion of a headset, as shown and described.

DESCRIPTION

FIG. 1 is an outer view of a headset showing our new design; FIG. 2 is an outer elevational view thereof; FIG. 3 is an inner elevational view thereof; FIG. 4 is a bottom plan view thereof; FIG. 5 is a top plan view thereof; FIG. 6 is a rear view thereof; and, FIG. 7 is a front view thereof.

The broken line showing of the remainder of the headset is for illustrative purposes only and forms no part of the claimed design.

1 Claim, 3 Drawing Sheets



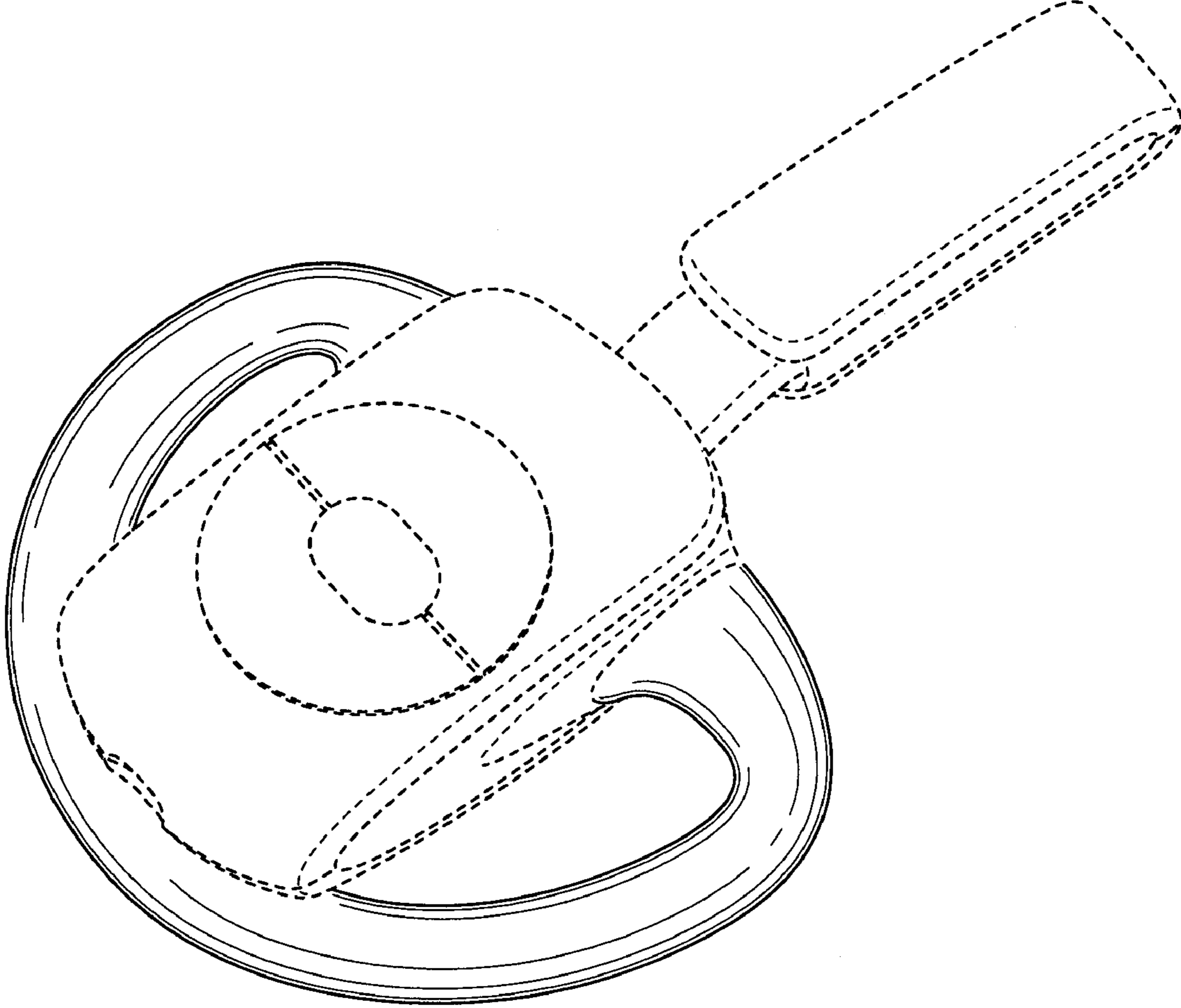
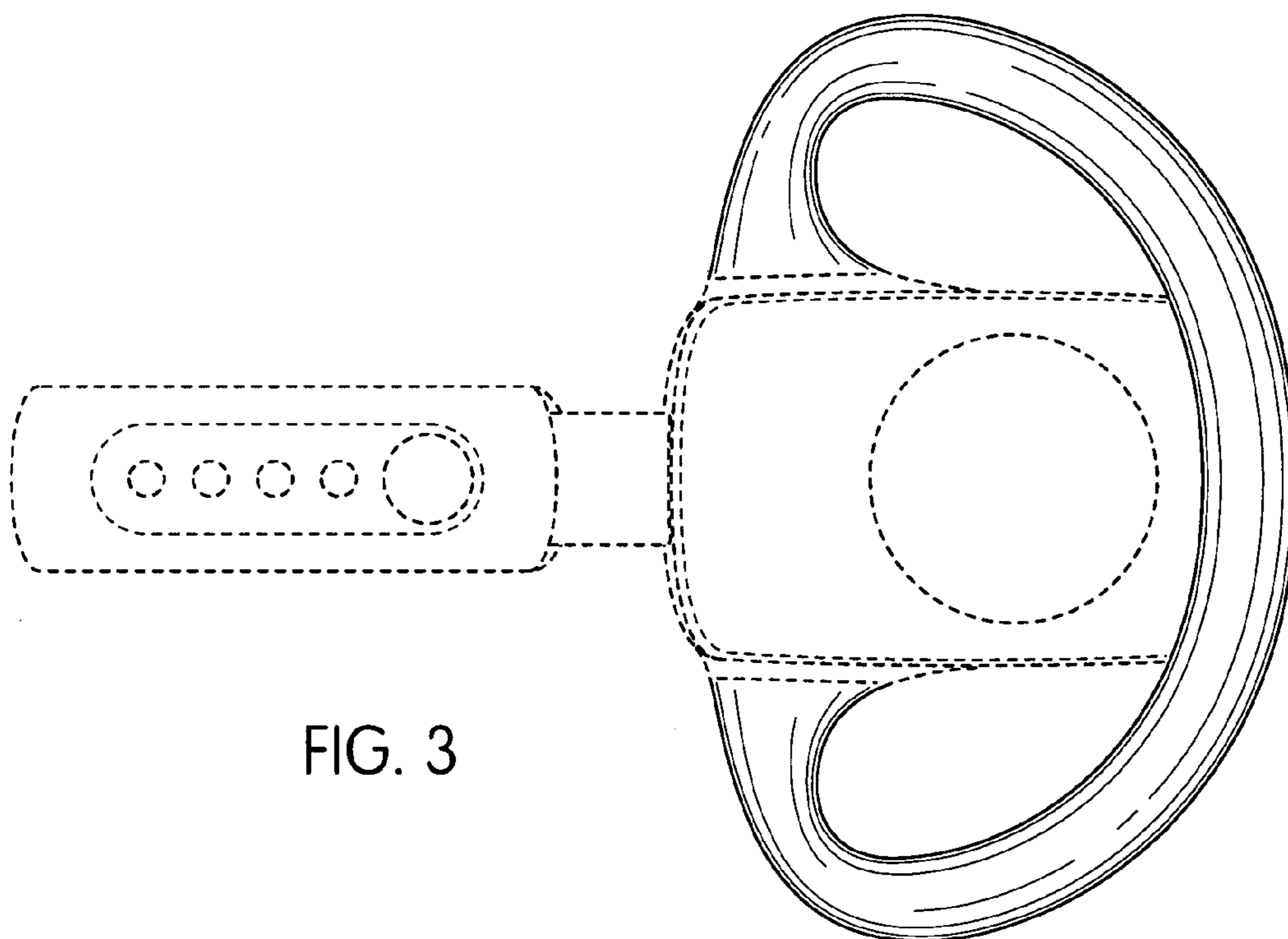
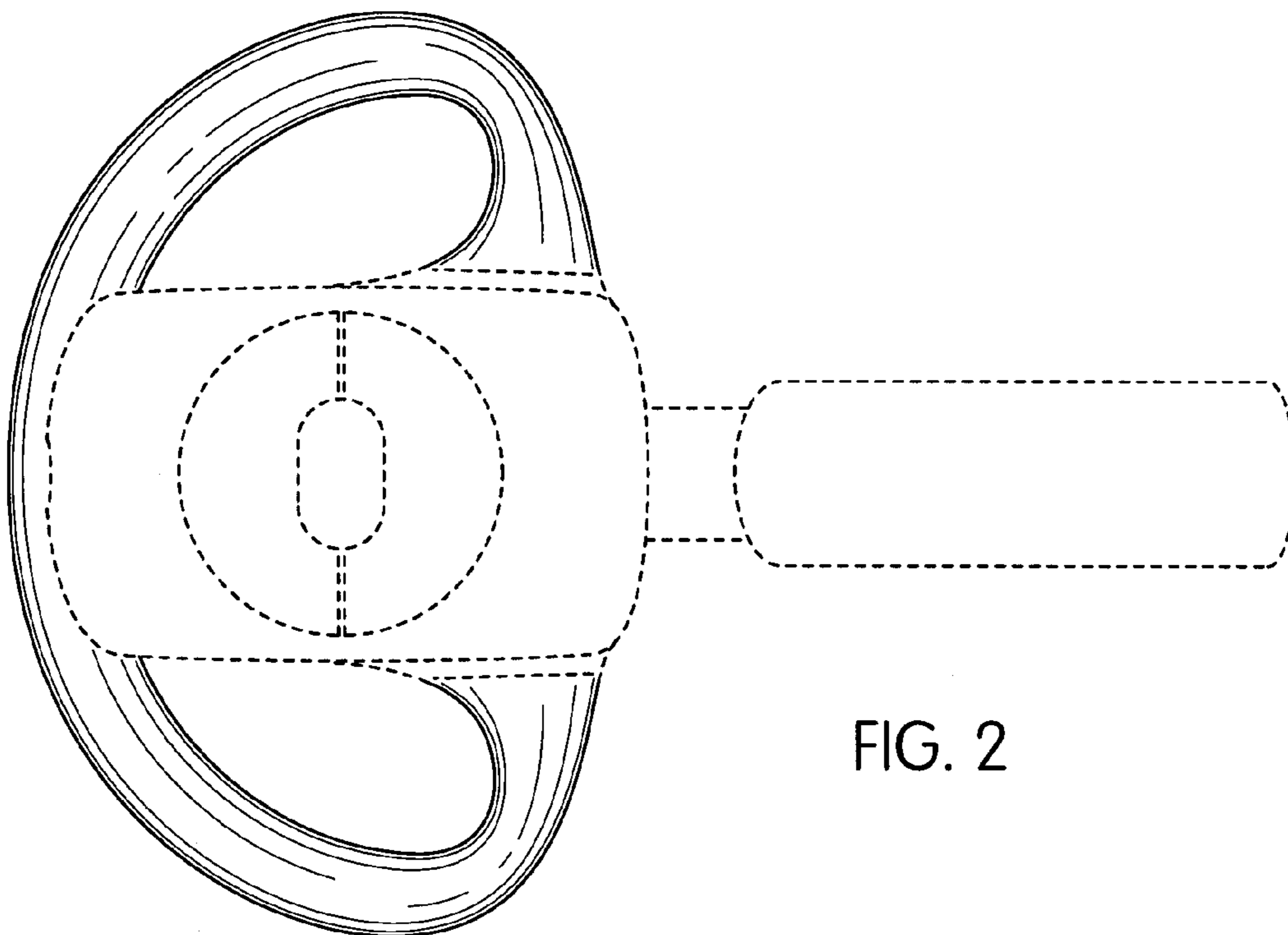


FIG. 1



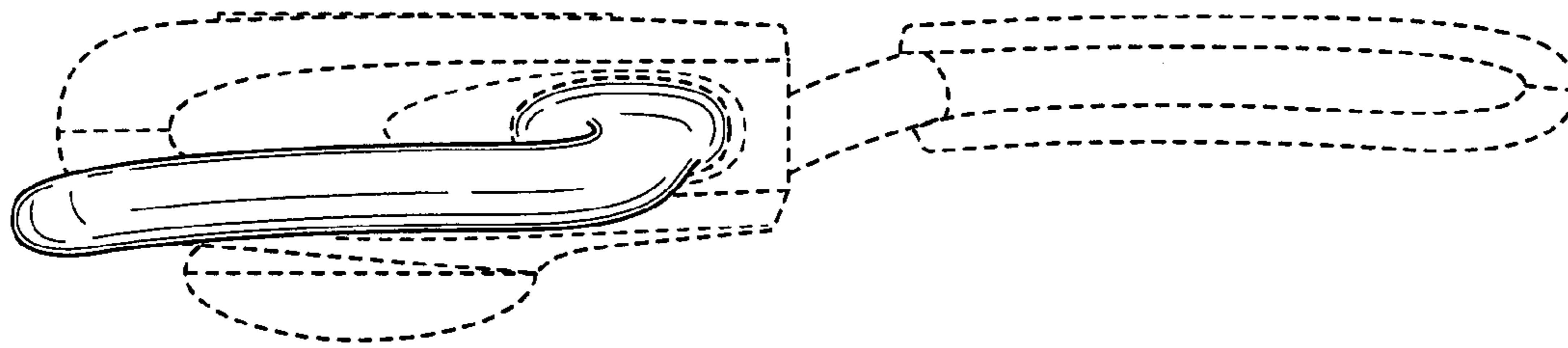


FIG. 4

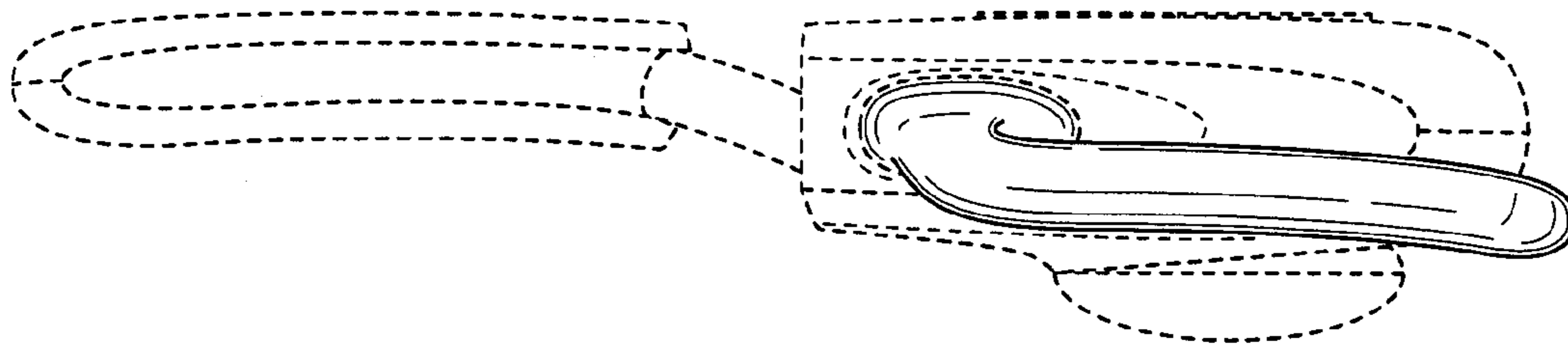


FIG. 5

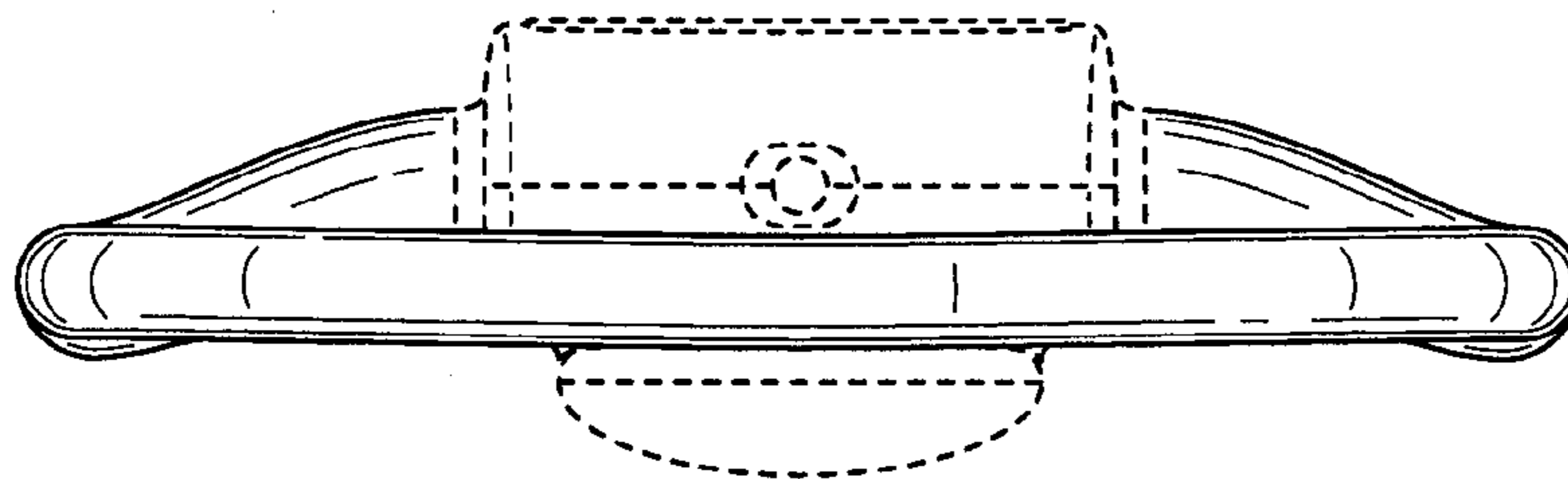


FIG. 6

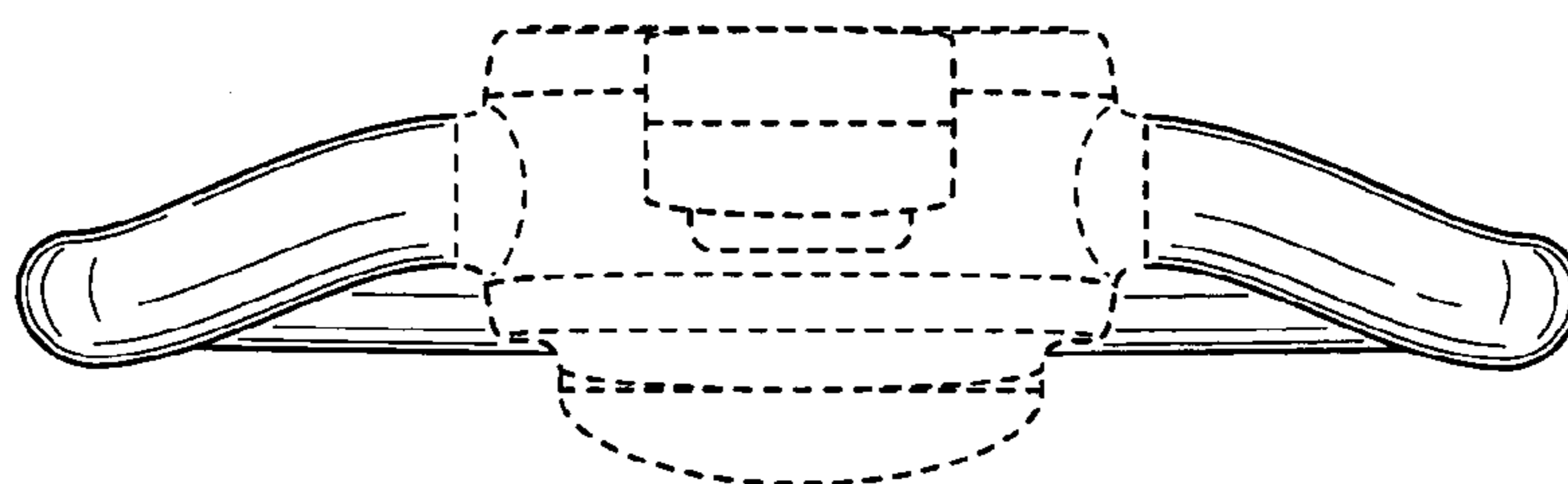


FIG. 7