

US00D561732S

(12) **United States Design Patent**
Motoishi

(10) **Patent No.:** **US D561,732 S**

(45) **Date of Patent:** **** Feb. 12, 2008**

(54) **DISC PLAYER**

(75) Inventor: **Takuya Motoishi**, Tokyo (JP)

(73) Assignee: **Sony Corporation**, Tokyo (JP)

(**) Term: **14 Years**

(21) Appl. No.: **29/269,919**

(22) Filed: **Dec. 12, 2006**

(51) **LOC (8) Cl.** **14-01**

(52) **U.S. Cl.** **D14/156**

(58) **Field of Classification Search** D14/135-136,
D14/156, 167-168, 188, 217, 496; 360/99.02,
360/99.07; 369/75.11, 75.21, 77.21, 77.11;
720/612, 619, 647, 655; 455/344, 347-351
See application file for complete search history.

(56) **References Cited**

U.S. PATENT DOCUMENTS

D451,080 S	*	11/2001	Kataoka	D14/156
D462,942 S		9/2002	Murakami		
D475,035 S		5/2003	Takagi		
D482,672 S	*	11/2003	Takagi	D14/156
D493,158 S	*	7/2004	Yang	D14/156

D508,905 S	*	8/2005	Houghton et al.	D14/156
D518,016 S		3/2006	Hirano		
D518,018 S		3/2006	Hirano et al.		
D525,234 S		7/2006	Yokoyama		

* cited by examiner

Primary Examiner—Nanda Bondade

(74) *Attorney, Agent, or Firm*—Rader, Fishman & Grauer, PLLC.

(57) **CLAIM**

The ornamental design for a disc player, as shown.

DESCRIPTION

FIG. 1 is a perspective view of a disc player showing my new design;

FIG. 2 is a front elevational view thereof;

FIG. 3 is a rear elevational view thereof;

FIG. 4 is a left side elevational view thereof;

FIG. 5 is a right side elevational view thereof;

FIG. 6 is a top plan view thereof; and,

FIG. 7 is a bottom plan view thereof.

1 Claim, 7 Drawing Sheets

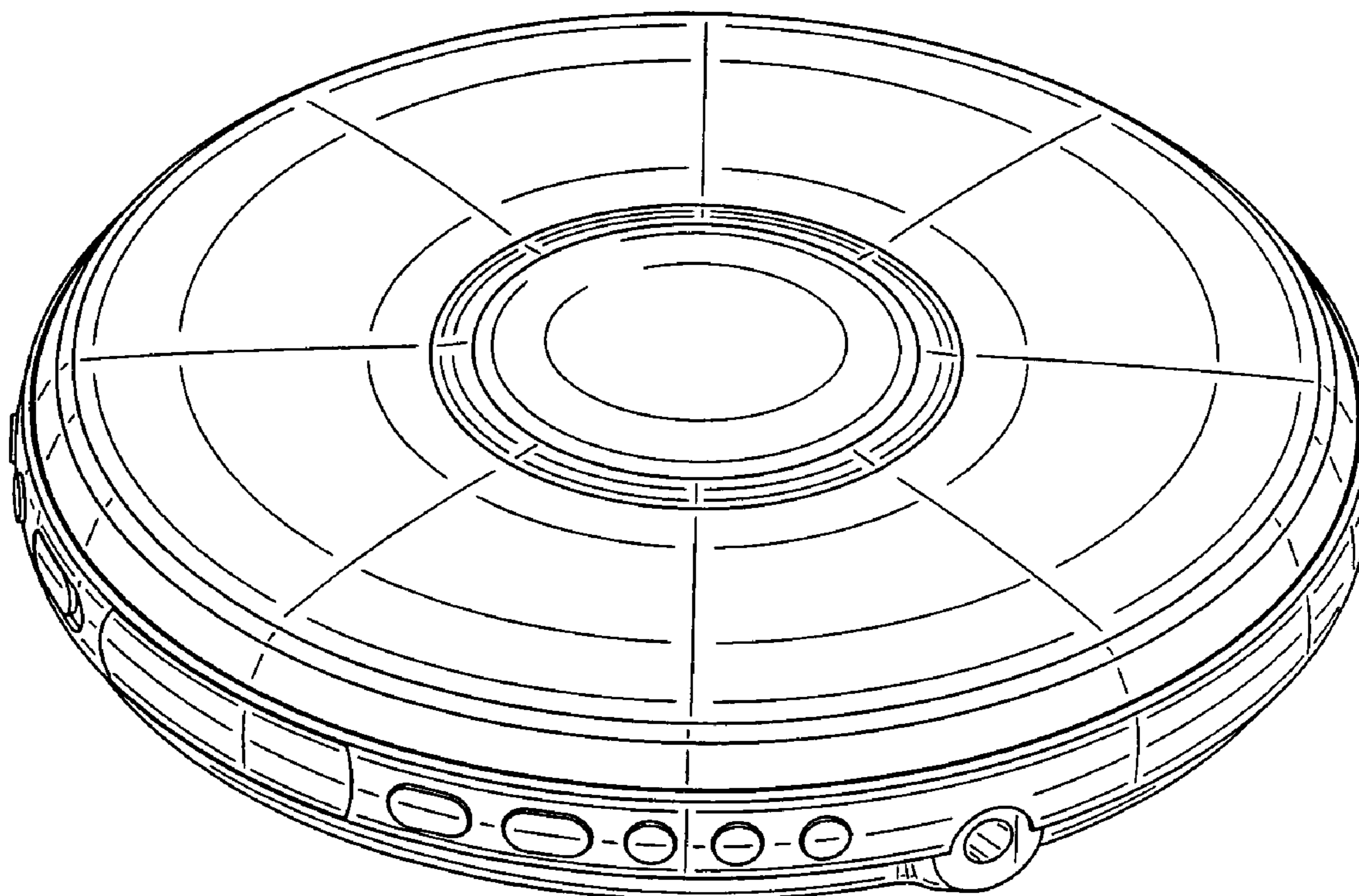


Fig.1

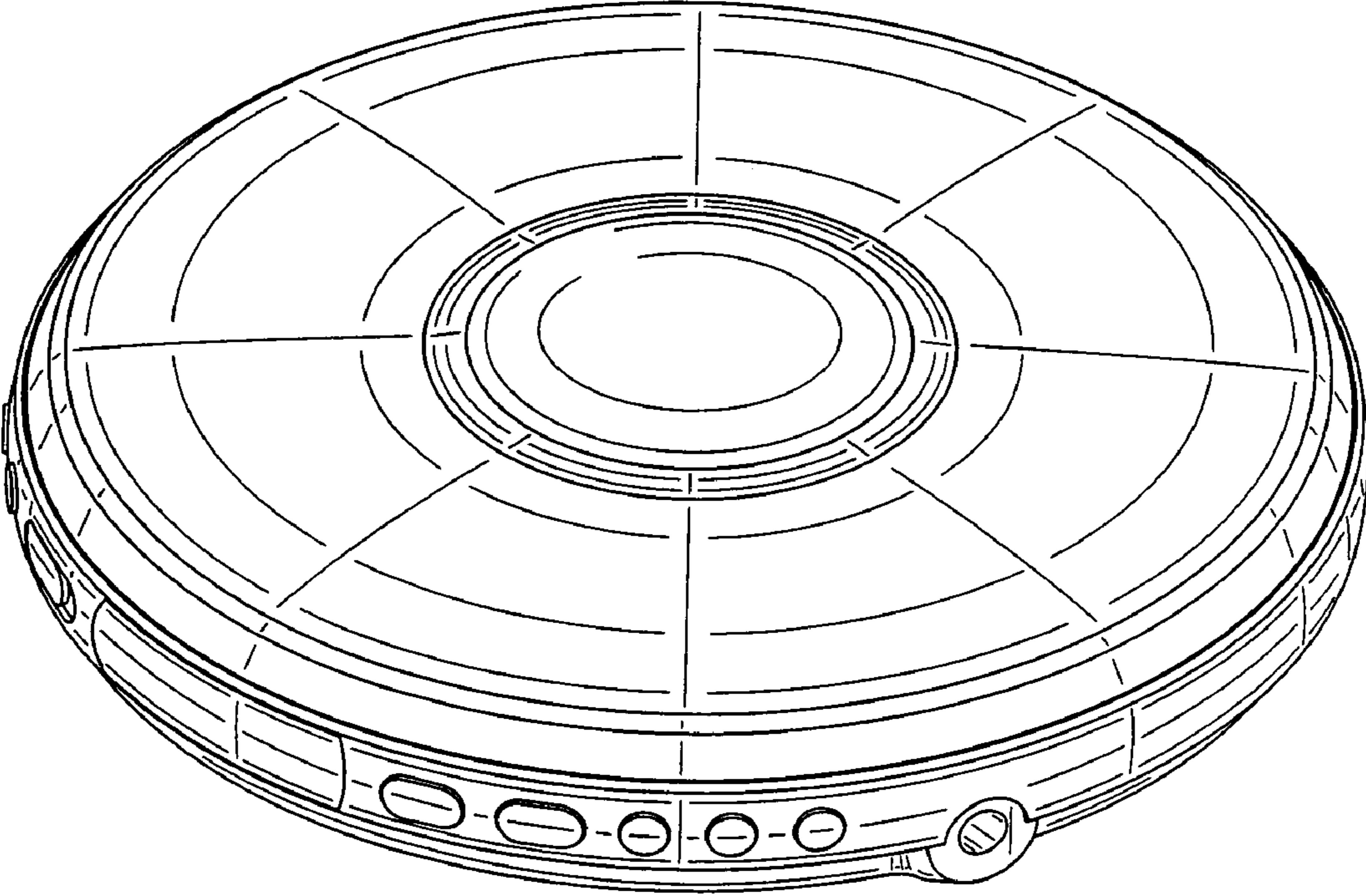


Fig.2

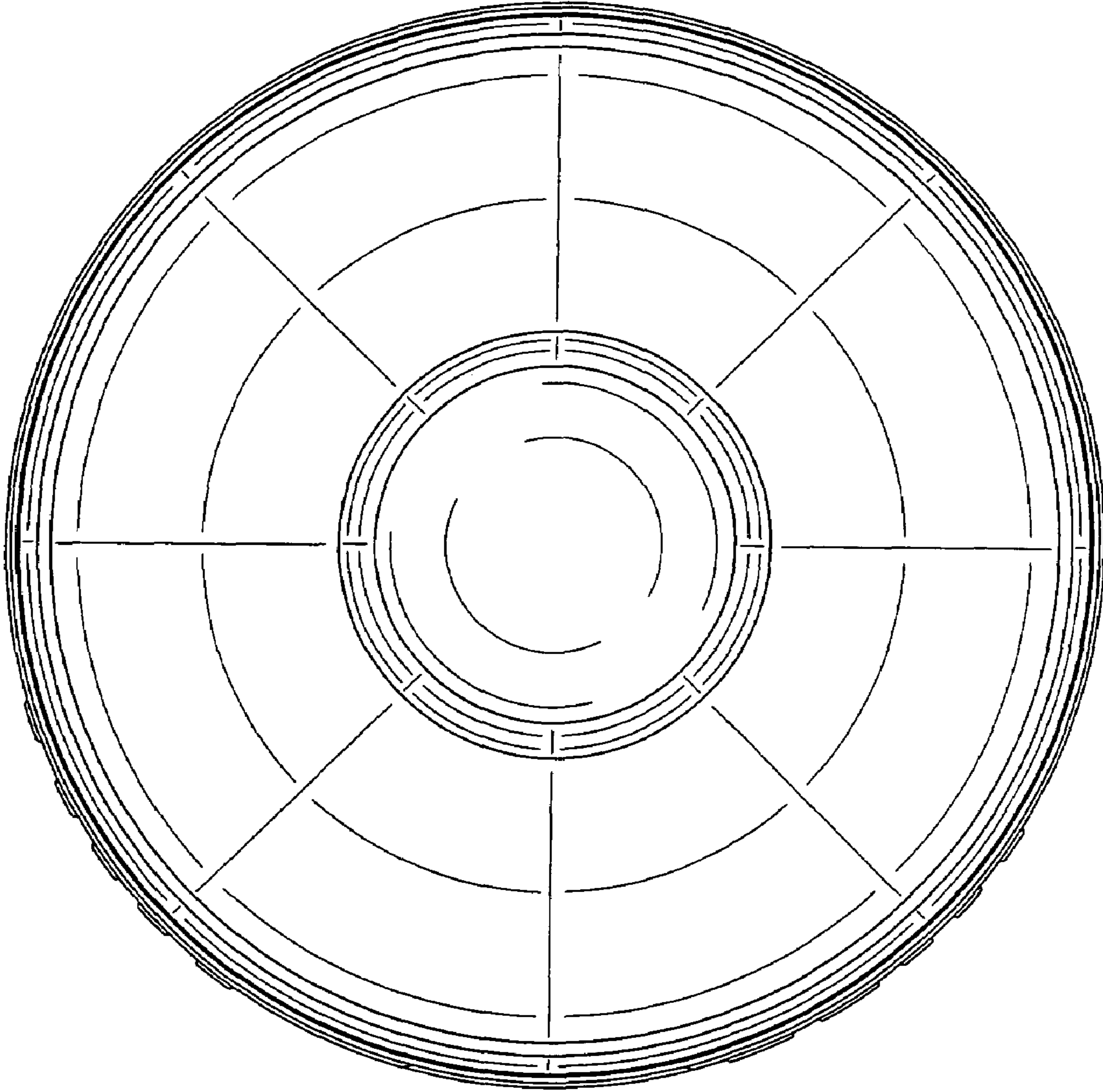


Fig.3

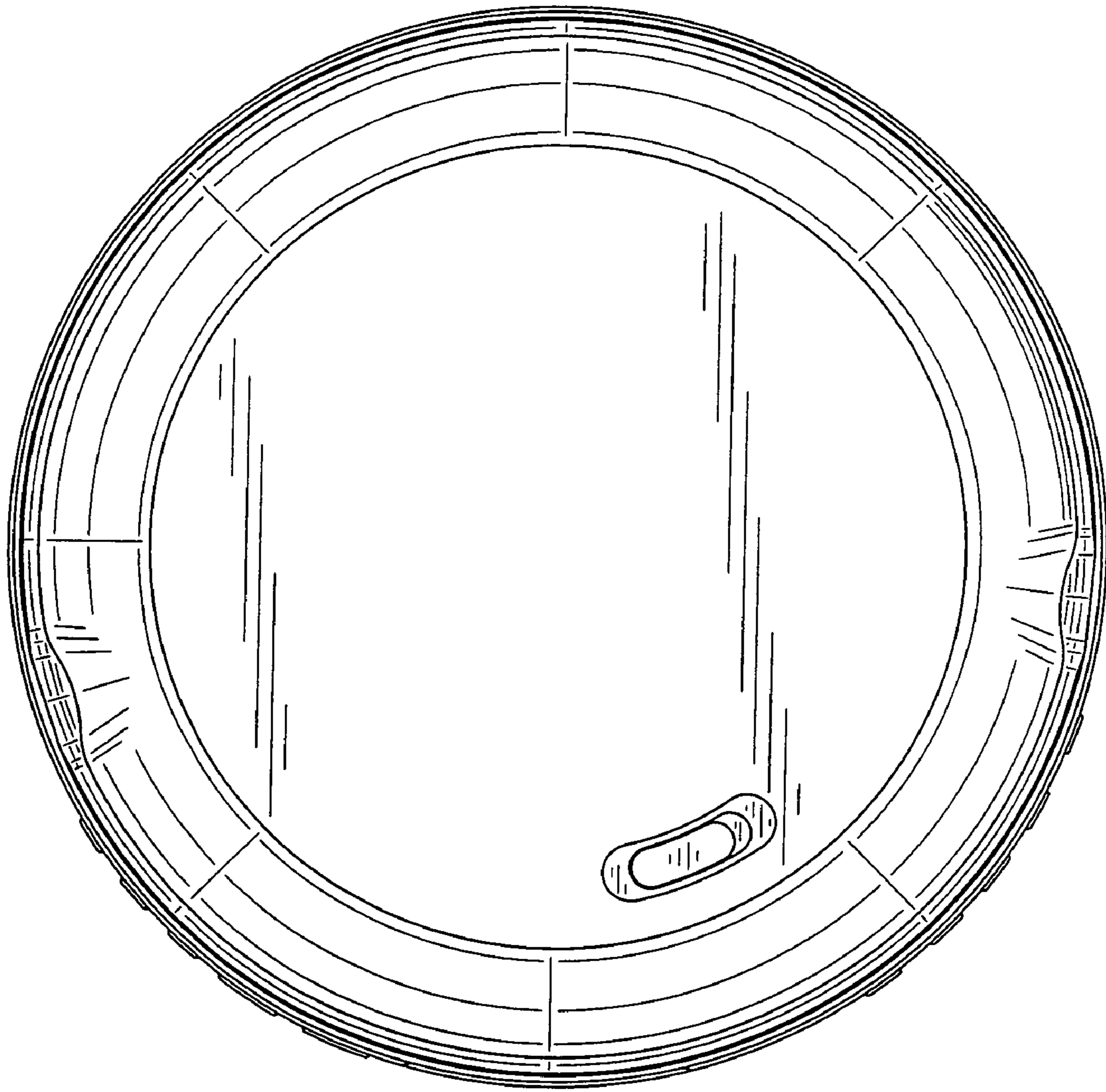


Fig.4

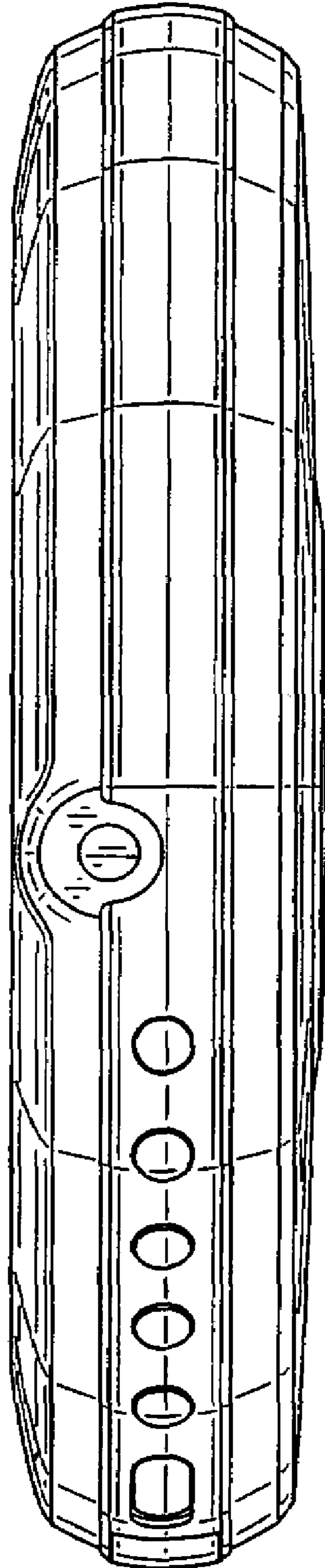


Fig.5

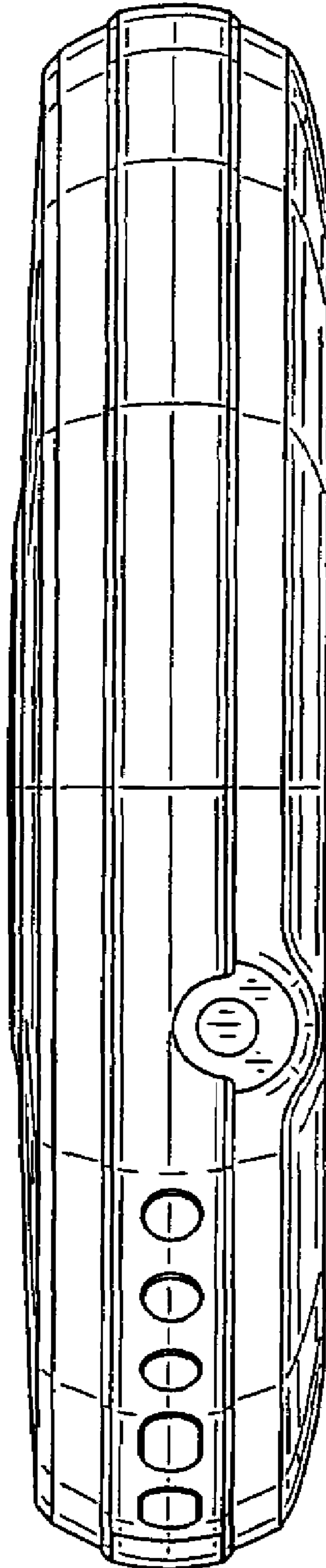


Fig.6

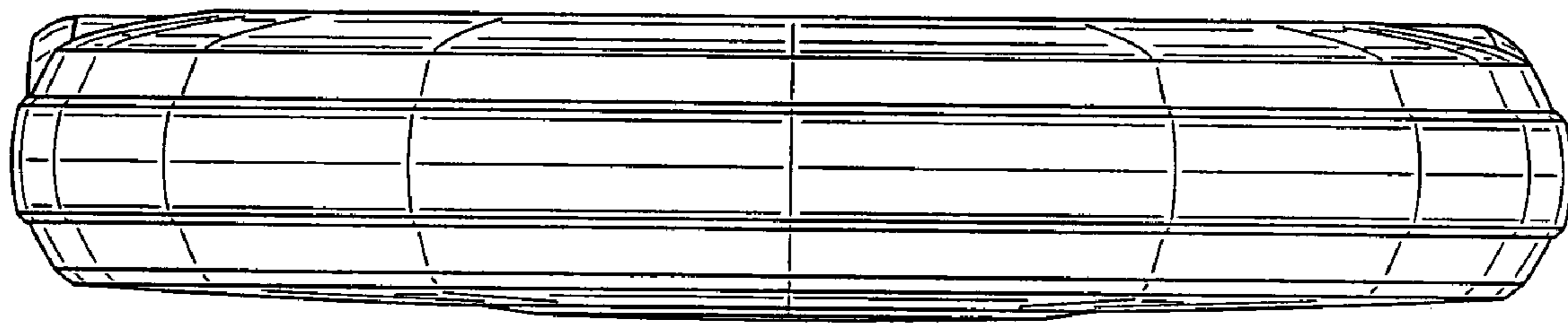


Fig.7

