



US00D561730S

(12) **United States Design Patent** (10) **Patent No.:** **US D561,730 S**
Deubler et al. (45) **Date of Patent:** **** Feb. 12, 2008**

(54) **CELLULAR TELEPHONE**

D408,813 S * 4/1999 Prior D14/138
5,894,591 A 4/1999 Tamayo

(75) Inventors: **Donald L. Deubler**, Chicago, IL (US);
Patrick J. Marry, Hawthorn Woods, IL
(US); **Clifford Krapfl**, Chicago, IL
(US)

(Continued)

(73) Assignee: **Firefly Mobile, Inc.**

FOREIGN PATENT DOCUMENTS

(**) Term: **14 Years**

WO DM/067023 * 7/2005

(21) Appl. No.: **29/277,818**

(Continued)

(22) Filed: **Mar. 9, 2007**

OTHER PUBLICATIONS

(51) **LOC (8) Cl.** **14-03**

(52) **U.S. Cl.** **D14/138**

(58) **Field of Classification Search** D14/137,
D14/138, 147, 148, 150, 168, 191, 218, 247-248,
D14/341-347, 496; D10/65; D13/168; D18/7;
455/90.3, 556.1, 556.2, 575.1, 575.3, 575.4;
379/433.01-433.13; 361/814; 348/14.02
See application file for complete search history.

Nokia 8800, announced 1st quarter 2005, [online], [retrieved on Feb. 16, 2007]. Retrieved from Internet ,<URL: <http://www.gsmarena.com>>.*

(Continued)

Primary Examiner—Jeffrey Asch
Assistant Examiner—Bridget L Eland
(74) *Attorney, Agent, or Firm*—Perry Hoffman

(56) **References Cited**

(57) **CLAIM**

U.S. PATENT DOCUMENTS

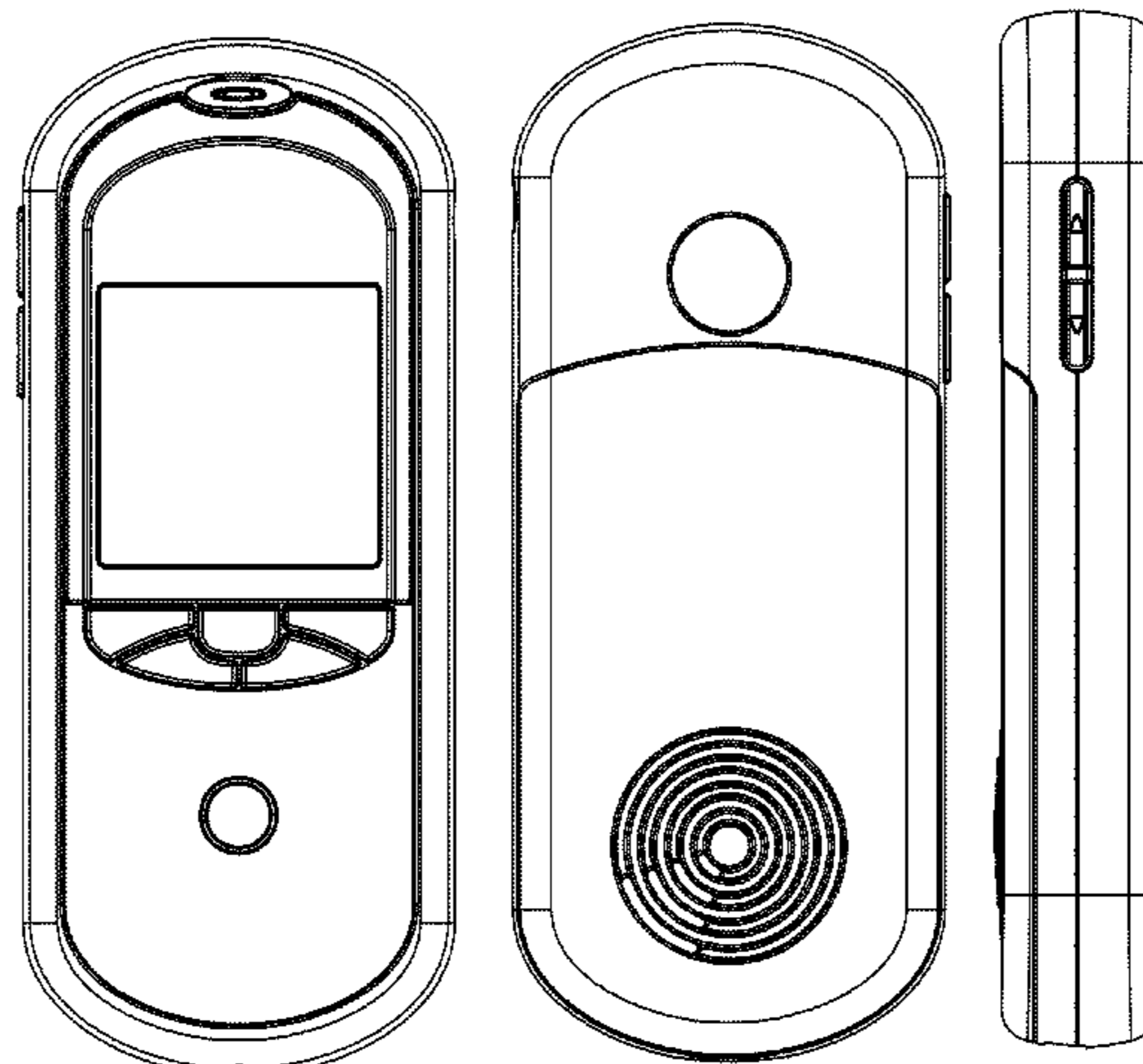
The ornamental design for a cellular telephone, as shown and described.

- D197,466 S 2/1964 Spilman
- D219,028 S 10/1970 Miller et al.
- 5,351,051 A 9/1994 Yano et al.
- D351,173 S 10/1994 Yeh
- D351,828 S 10/1994 Pucci et al.
- 5,365,570 A 11/1994 Boubelik
- D354,489 S 1/1995 Patton et al.
- D357,201 S 4/1995 Novack
- D358,153 S 5/1995 Jackson
- D374,190 S 10/1996 Yuen
- D375,696 S 11/1996 Seki et al.
- D377,458 S 1/1997 Tsui
- D379,009 S 4/1997 Osiecki
- D379,456 S 5/1997 Osiecki
- D380,694 S 7/1997 Seki et al.
- D391,878 S 3/1998 Alleyne
- D406,131 S 2/1999 Osthues
- D406,779 S 3/1999 Pinardi et al.
- D407,399 S * 3/1999 Frye et al. D14/138

DESCRIPTION

FIG. 1 is a perspective view of the cellular telephone of the instant invention;
FIG. 2 is a front elevational view thereof;
FIG. 3 is a rear elevational view thereof;
FIG. 4 is a top plan view thereof;
FIG. 5 is a bottom view thereof;
FIG. 6 is a right side elevational view thereof; and,
FIG. 7 is a left side elevational view thereof.

1 Claim, 3 Drawing Sheets



US D561,730 S

Page 2

U.S. PATENT DOCUMENTS

D412,455 S 8/1999 Greene
6,044,257 A 3/2000 Boling et al.
D427,171 S * 6/2000 Frye et al. D14/138
6,115,597 A 9/2000 Kroll et al.
D431,486 S 10/2000 Iseli et al.
D440,954 S 4/2001 Boling et al.
D441,185 S 5/2001 Shimizu et al.
D441,524 S 5/2001 Shimizu et al.
D441,745 S 5/2001 Yabusaki
6,226,510 B1 5/2001 Boling et al.
6,236,358 B1 5/2001 Durst et al.
6,243,039 B1 6/2001 Elliot
D445,409 S * 7/2001 Segers D14/138
D446,780 S 8/2001 Sedan et al.
D452,684 S 1/2002 Sedan et al.
D453,332 S 2/2002 Herath
D455,137 S * 4/2002 Wang D14/138
D455,737 S * 4/2002 Salmi et al. D14/247
6,370,362 B1 * 4/2002 Hansen et al. 455/90.1
D459,314 S 6/2002 Flick
D460,953 S 7/2002 Argle et al.
6,421,001 B1 7/2002 Durst et al.
D469,708 S 2/2003 To et al.
D475,033 S * 5/2003 Lehtonen D14/138
D477,344 S 7/2003 Ng
D477,596 S * 7/2003 Hayes D14/343
D478,052 S 8/2003 Thomas, Jr.
D478,075 S * 8/2003 Hayes D14/343
D478,892 S 8/2003 Corander
D479,211 S 9/2003 Siddoway et al.
D480,056 S 9/2003 Arcieri
D481,321 S 10/2003 Knieriem et al.
D483,281 S 12/2003 Cobigo
D486,806 S 2/2004 Takayama et al.
D486,807 S 2/2004 Takayama et al.
D487,065 S 2/2004 Murray
D488,811 S 4/2004 Denhez

D493,451 S * 7/2004 Wada D14/247
D496,638 S 9/2004 Deubler, Jr.
D496,639 S 9/2004 Deubler, Jr.
D497,614 S * 10/2004 Gartrell et al. D14/247
D508,028 S 8/2005 Deubler, Jr.
D509,760 S * 9/2005 Burrell et al. D10/65
6,950,316 B2 * 9/2005 Pan et al. 361/814
D512,393 S * 12/2005 Lee et al. D14/138
D527,717 S * 9/2006 Kim D14/138
D530,299 S * 10/2006 Lee D14/138
D531,612 S * 11/2006 Kim et al. D14/138
D534,893 S * 1/2007 Jo et al. D14/138
D539,815 S * 4/2007 Lai et al. D14/496
D542,753 S * 5/2007 Majanen et al. D14/138
D550,192 S * 9/2007 Kim et al. D14/138
2003/0027606 A1 2/2003 Tsai
2003/0081767 A1 5/2003 Montague
2003/0122784 A1 7/2003 Shkolnikov
2004/0204001 A1 * 10/2004 Chen et al. 455/550.1
2005/0255875 A1 * 11/2005 Ueda 455/550.1
2005/0277451 A1 * 12/2005 Ku 455/575.4
2005/0288077 A1 * 12/2005 Wu 455/575.4

FOREIGN PATENT DOCUMENTS

WO DM/068447 * 12/2006
WO DM/069047 * 5/2007

OTHER PUBLICATIONS

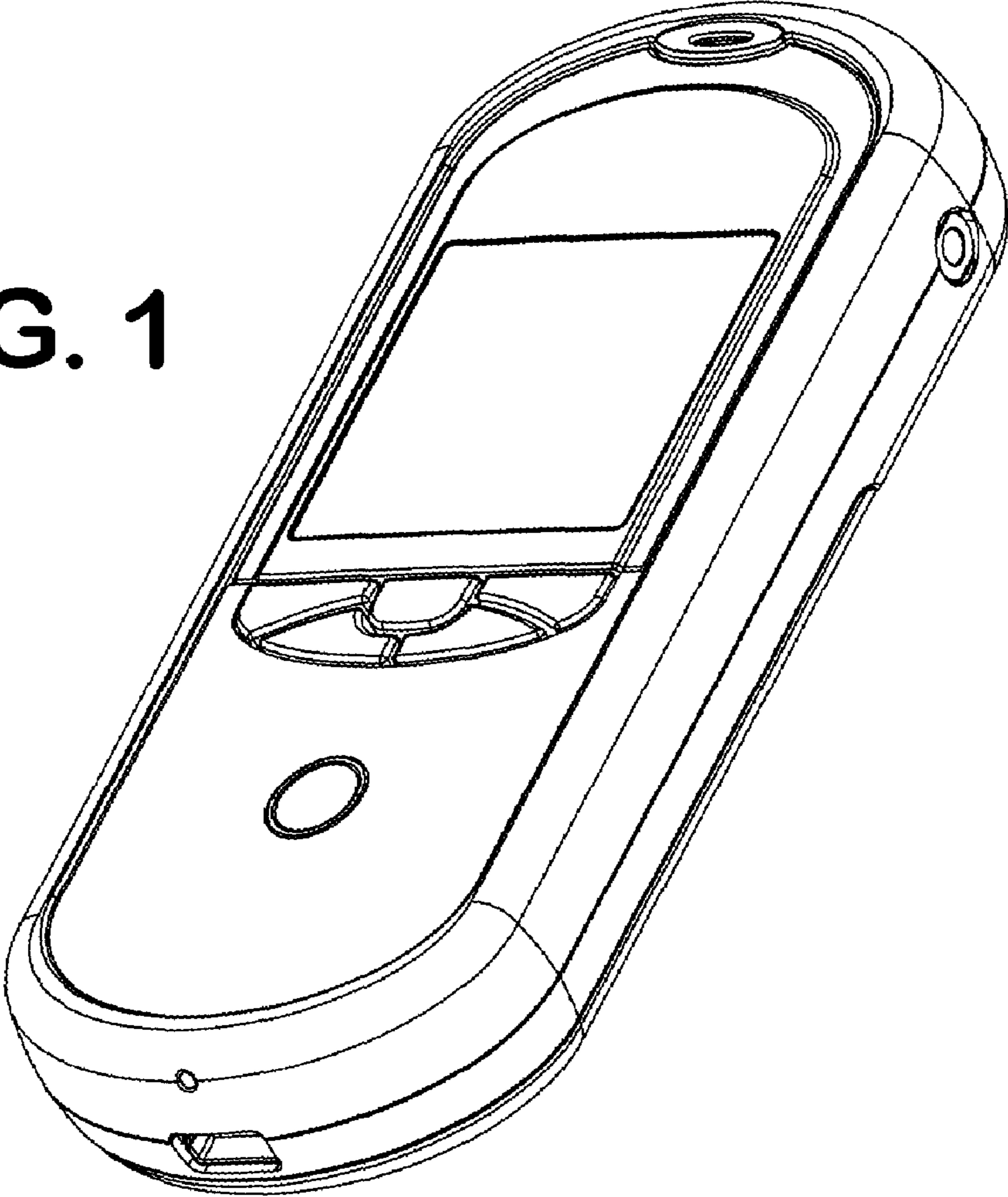
Nokia 8800 Sirocco, announced Sep. 2006, [online], [retrieved on Feb. 16, 2007]. Retrieved from Internet ,<URL: <http://www.gsmarena.com>>.*

Nokia 8600 Luna, announced May 2007, [online], [retrieved on Aug. 6, 2007]. Retrieved from Internet ,<URL: <http://www.gsmarena.com>>.*

Firefly flyPhone, posted Aug. 15, 2007, [online], [retrieved on Oct. 9, 2007]. Retrieved from Internet ,<URL: <http://www.engadgetmobile.com>>.*

* cited by examiner

FIG. 1



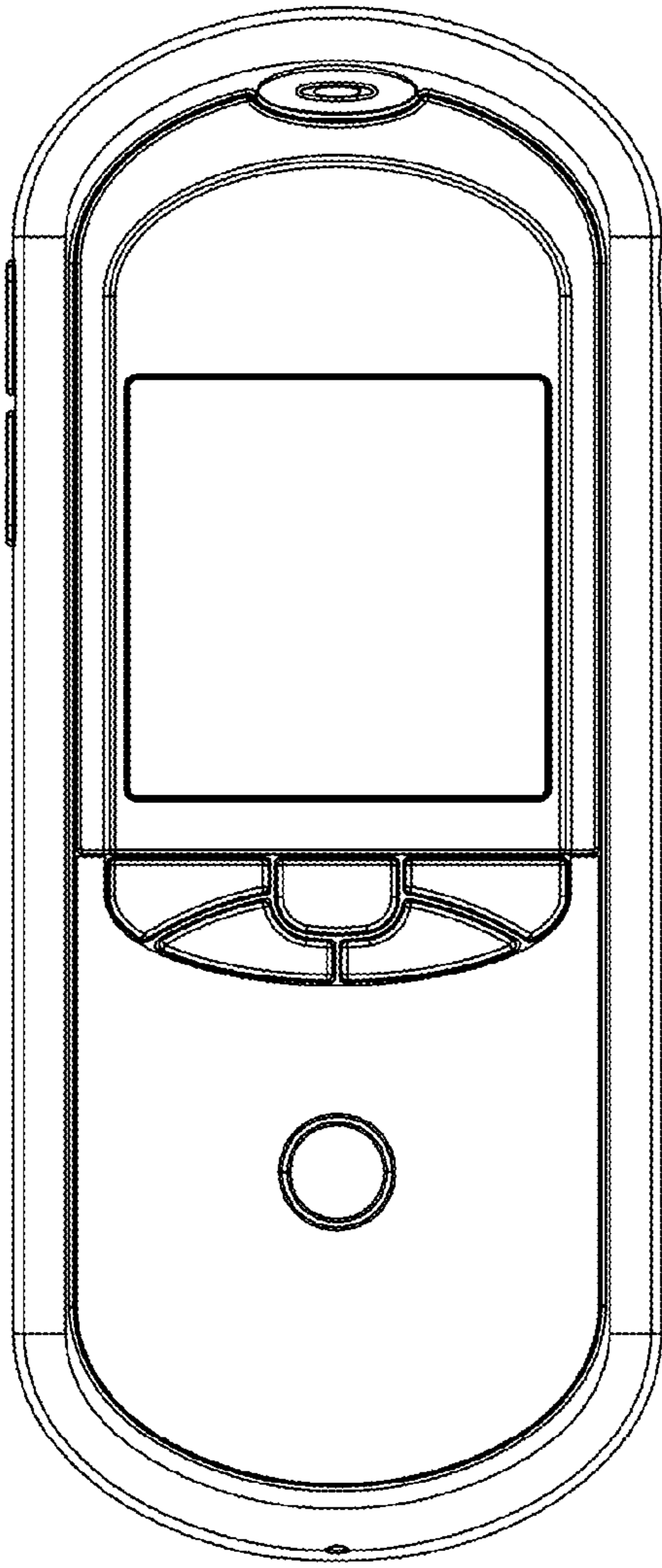


FIG. 2

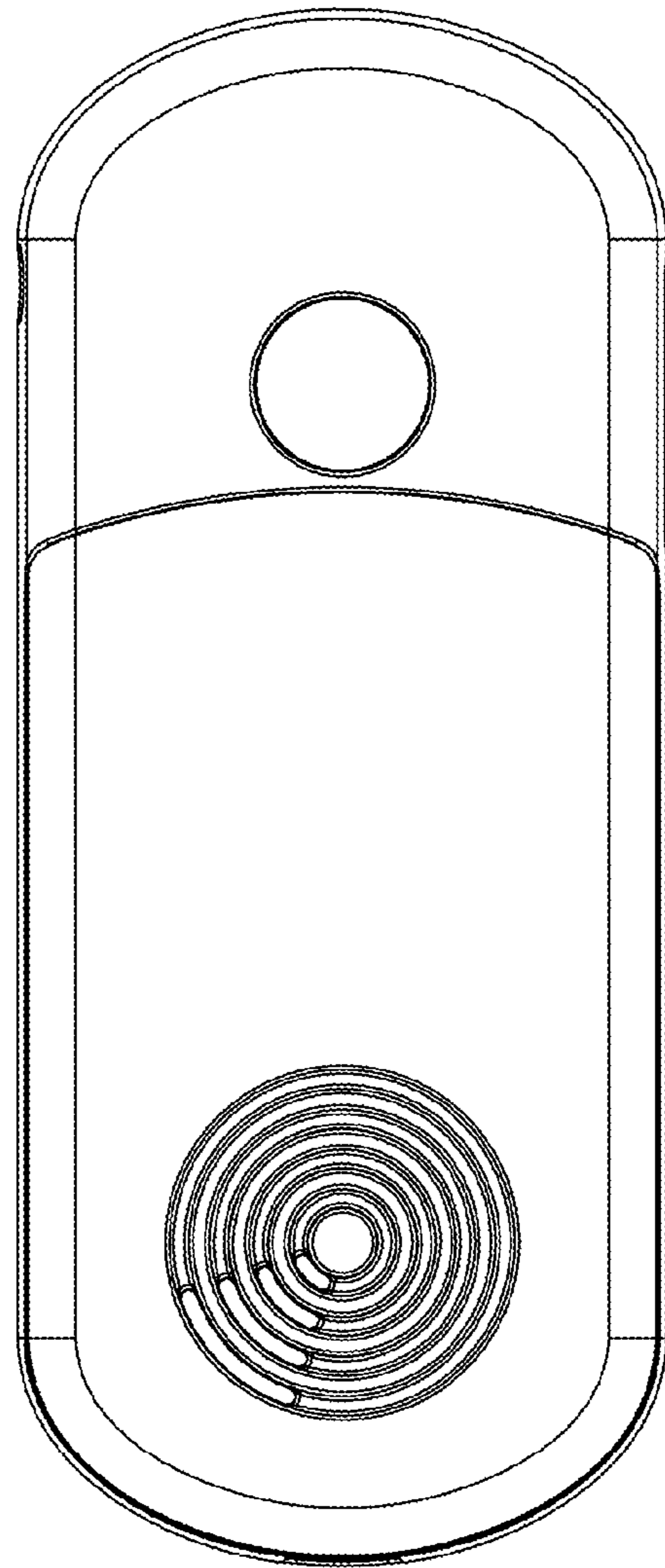


FIG. 3

FIG. 4

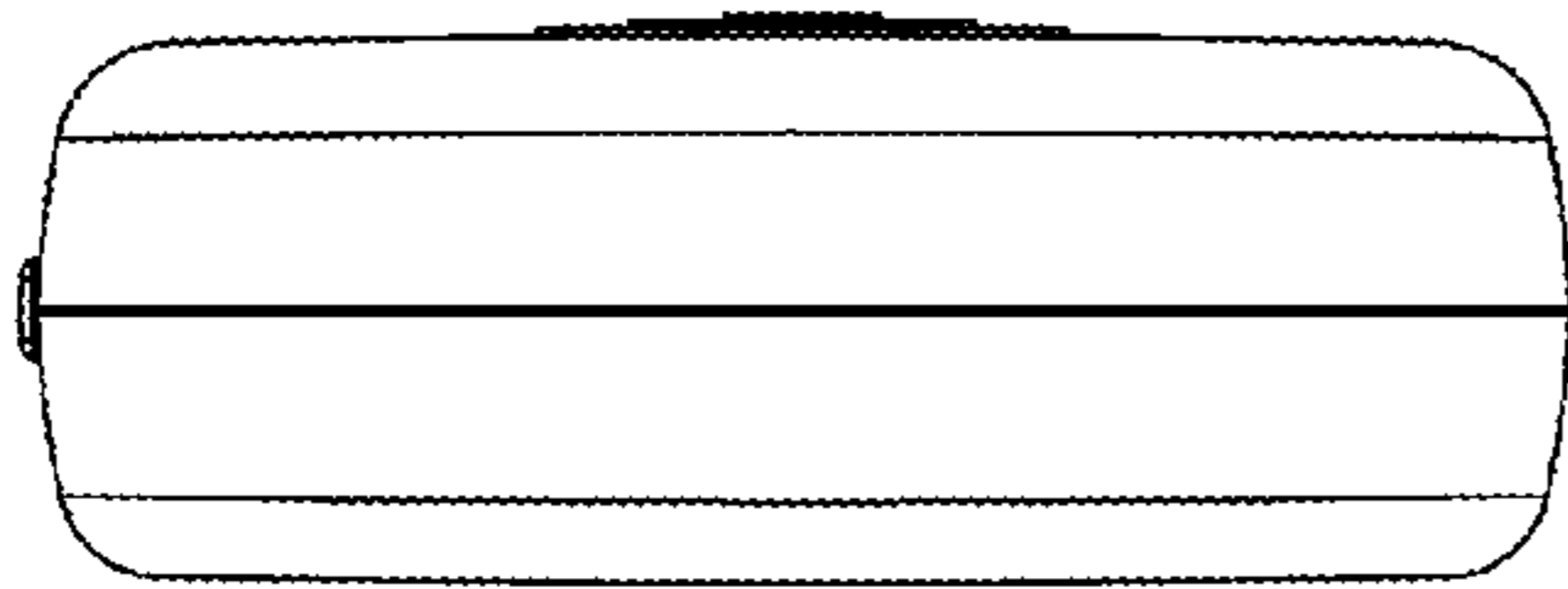


FIG. 5

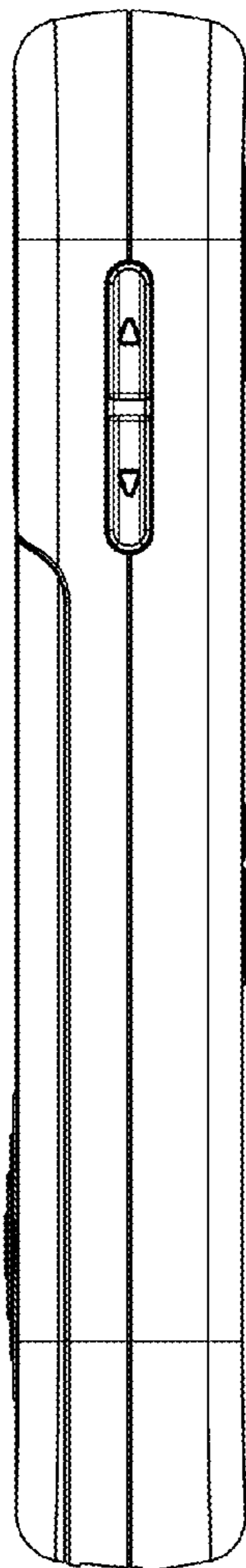
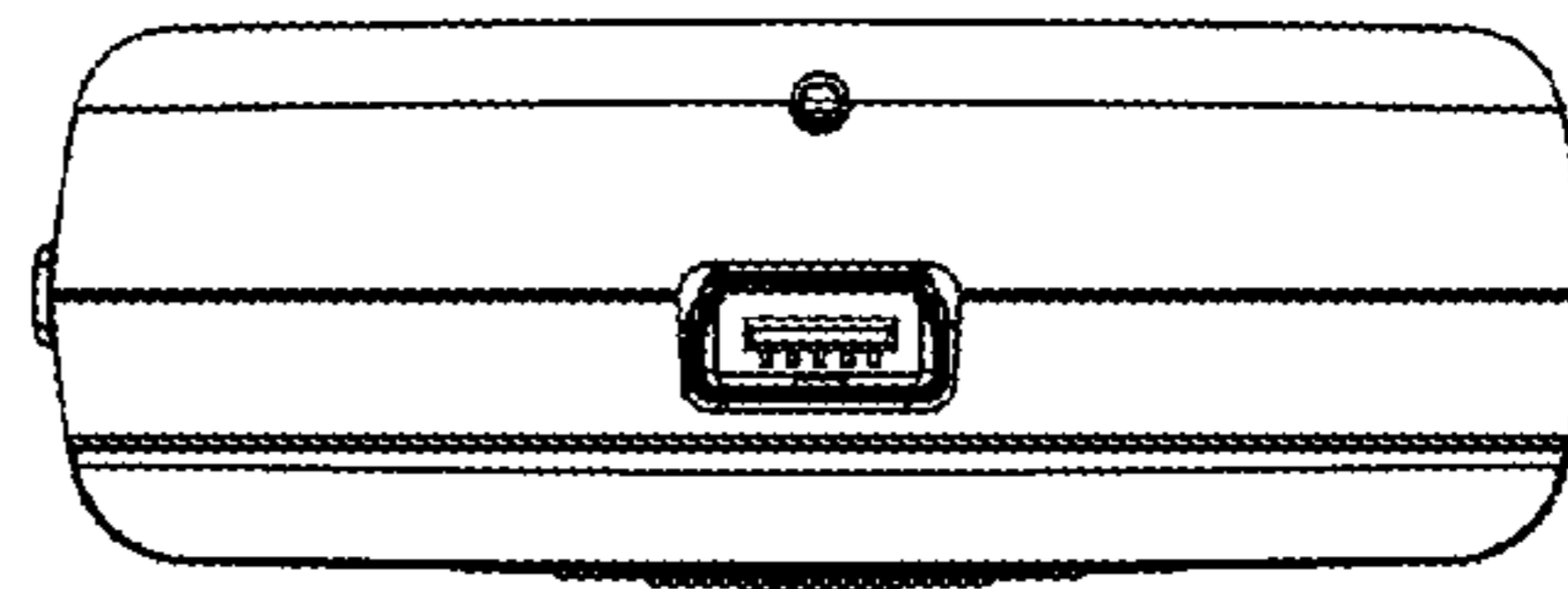


FIG. 6

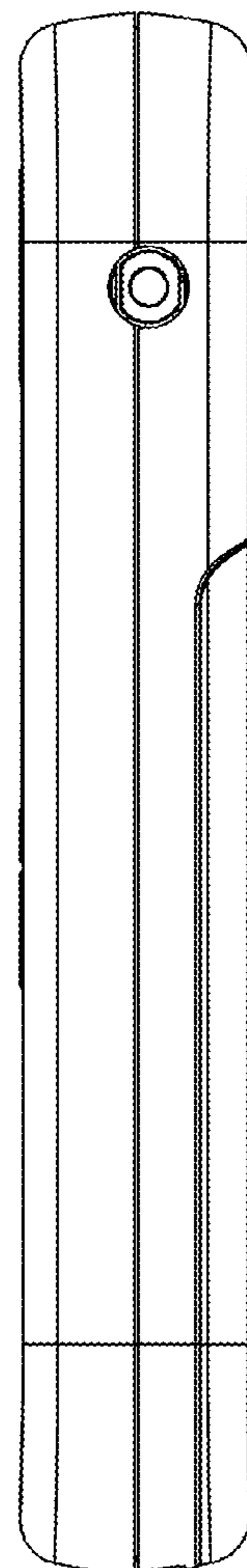


FIG. 7