



US00D561729S

(12) **United States Design Patent** (10) **Patent No.:** **US D561,729 S**  
**Kim et al.** (45) **Date of Patent:** **\*\* Feb. 12, 2008**

(54) **MOBILE PHONE**

D548,716 S \* 8/2007 Park et al. .... D14/138  
2006/0073859 A1\* 4/2006 Chou ..... 455/575.4

(75) Inventors: **Bo-Ra Kim**, Seoul (KR); **Chang-Soo Lee**, Incheon (KR); **Beom-Ku Han**, Seoul (KR)

OTHER PUBLICATIONS

LG KE820, announced Oct. 2006, <URL:http://www.gsmarena.com/lg\_ke820-1761.php>, retrieved from internet on Sep 2, 2007.\*  
Samsung P310, announced Sep. 2006, <URL:http://www.gsmarena.com/samsung\_p310-1682.php>, retrieved from internet on Sep. 2, 2007.\*

(73) Assignee: **Samsung Electronics Co., Ltd.**, Suwon-Si (KR)

Samsung P300, announced 4Q 2005, <URL:http://www.gsmarena.com/samsung\_p300-1351.php>, retrieved from internet on Sep. 2, 2007.\*

(\*\*) Term: **14 Years**

LG KU990, announced Aug. 2007, <URL:http://www.gsmarena.com/lg\_ku990\_viewty-2070.php>, retrieved from internet on Sep 2, 2007.\*

(21) Appl. No.: **29/274,854**

(22) Filed: **May 31, 2007**

\* cited by examiner

(30) **Foreign Application Priority Data**

Apr. 11, 2007 (KR) ..... 30-2007-0015820

*Primary Examiner*—Ian Simmons

*Assistant Examiner*—Carla Jobe Wright

(51) **LOC (8) Cl.** ..... **14-03**

(74) *Attorney, Agent, or Firm*—Staas & Halsey LLP

(52) **U.S. Cl.** ..... **D14/138**

(58) **Field of Classification Search** ..... D14/137–138, D14/147–148, 156, 218, 247–248, 341–347, D14/496; D16/208; D21/329, 331, 333, D21/517; 348/14.01–14.02; 361/814; 379/433.01–433.13; 455/90.3, 556.1–556.2, 455/566, 575.1, 575.3, 575.4

(57) **CLAIM**

See application file for complete search history.

The ornamental design for a mobile phone, as shown and described.

**DESCRIPTION**

(56) **References Cited**

U.S. PATENT DOCUMENTS

- D359,487 S \* 6/1995 Brown ..... D14/138
- 6,363,259 B1 \* 3/2002 Larsen ..... 455/550.1
- D464,033 S \* 10/2002 Piano-Poirier ..... D14/144
- D488,789 S \* 4/2004 Lee ..... D14/138
- D538,252 S \* 3/2007 Joung ..... D14/138
- D538,773 S \* 3/2007 Joung ..... D14/138
- D541,783 S \* 5/2007 Lee ..... D14/138
- D545,804 S \* 7/2007 Lee ..... D14/138
- D546,809 S \* 7/2007 Kim et al. .... D14/138
- D546,810 S \* 7/2007 Kwak ..... D14/138
- D548,715 S \* 8/2007 Lee et al. .... D14/138

FIG. 1 is a perspective view of a mobile phone;  
FIG. 2 is a front view of the mobile phone of FIG. 1;  
FIG. 3 is a rear view of the mobile phone of FIG. 1;  
FIG. 4 is a left-side view of the mobile phone of FIG. 1;  
FIG. 5 is a right-side view of the mobile phone of FIG. 1;  
FIG. 6 is a top plan view of the mobile phone of FIG. 1;  
FIG. 7 is a bottom plan view of the mobile phone of FIG. 1;  
and,  
FIG. 8 is a perspective view of the mobile phone of FIG. 1 shown in an open position.

**1 Claim, 5 Drawing Sheets**

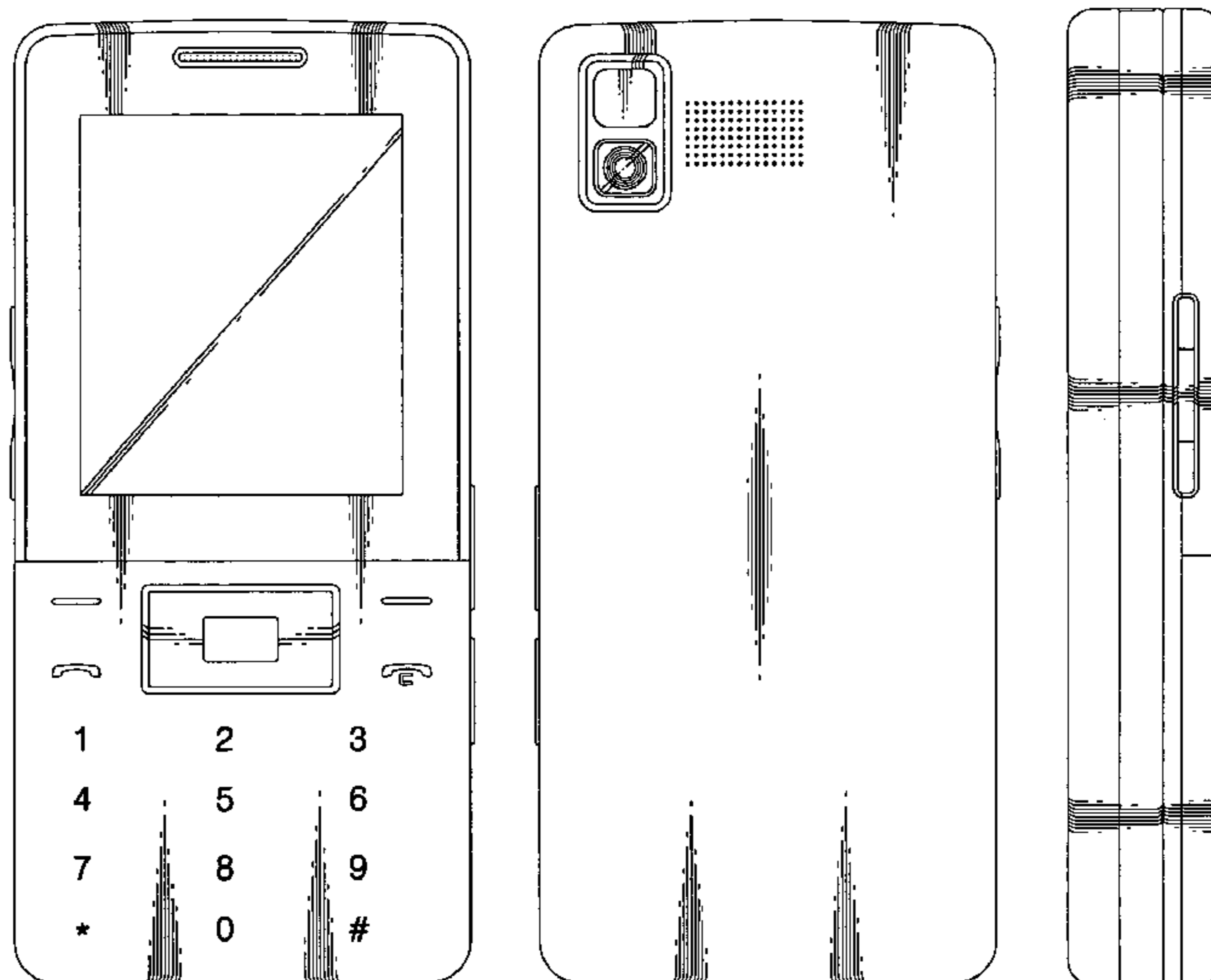


FIG. 1

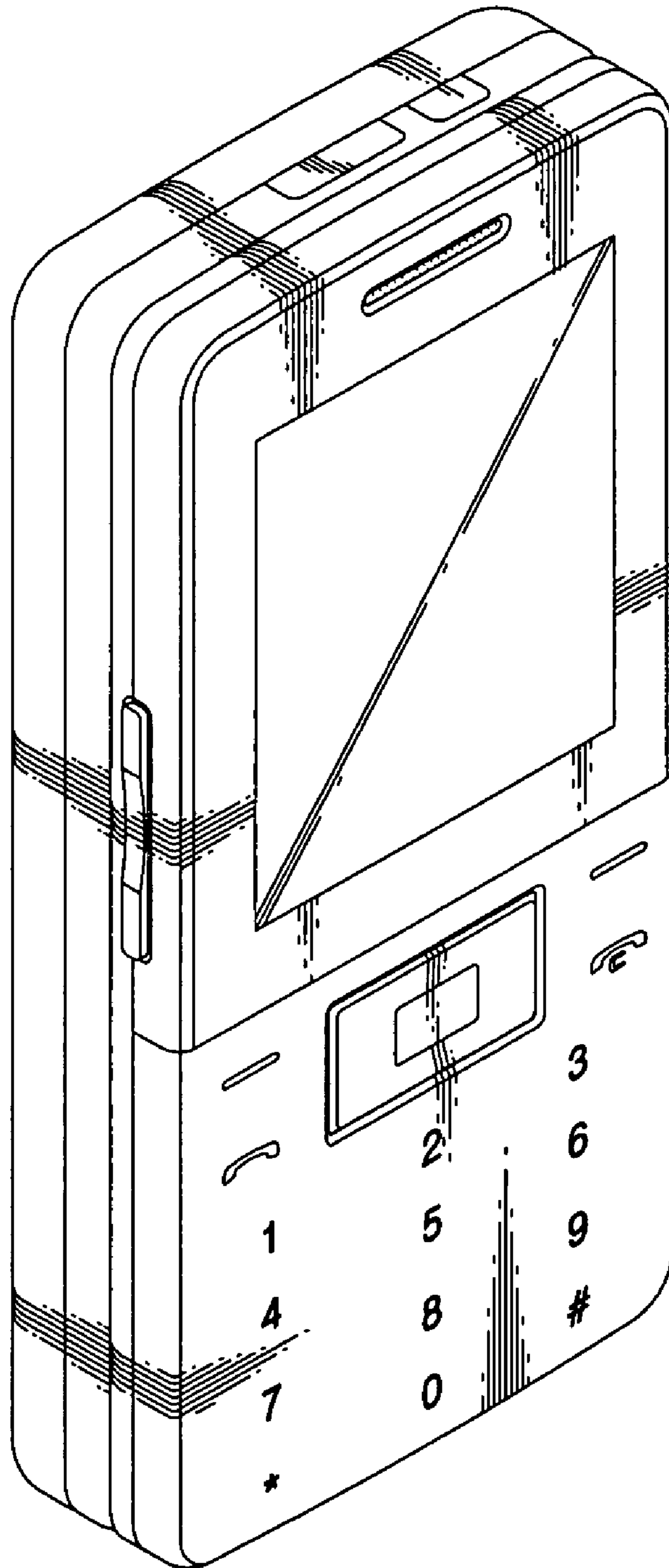


FIG.2

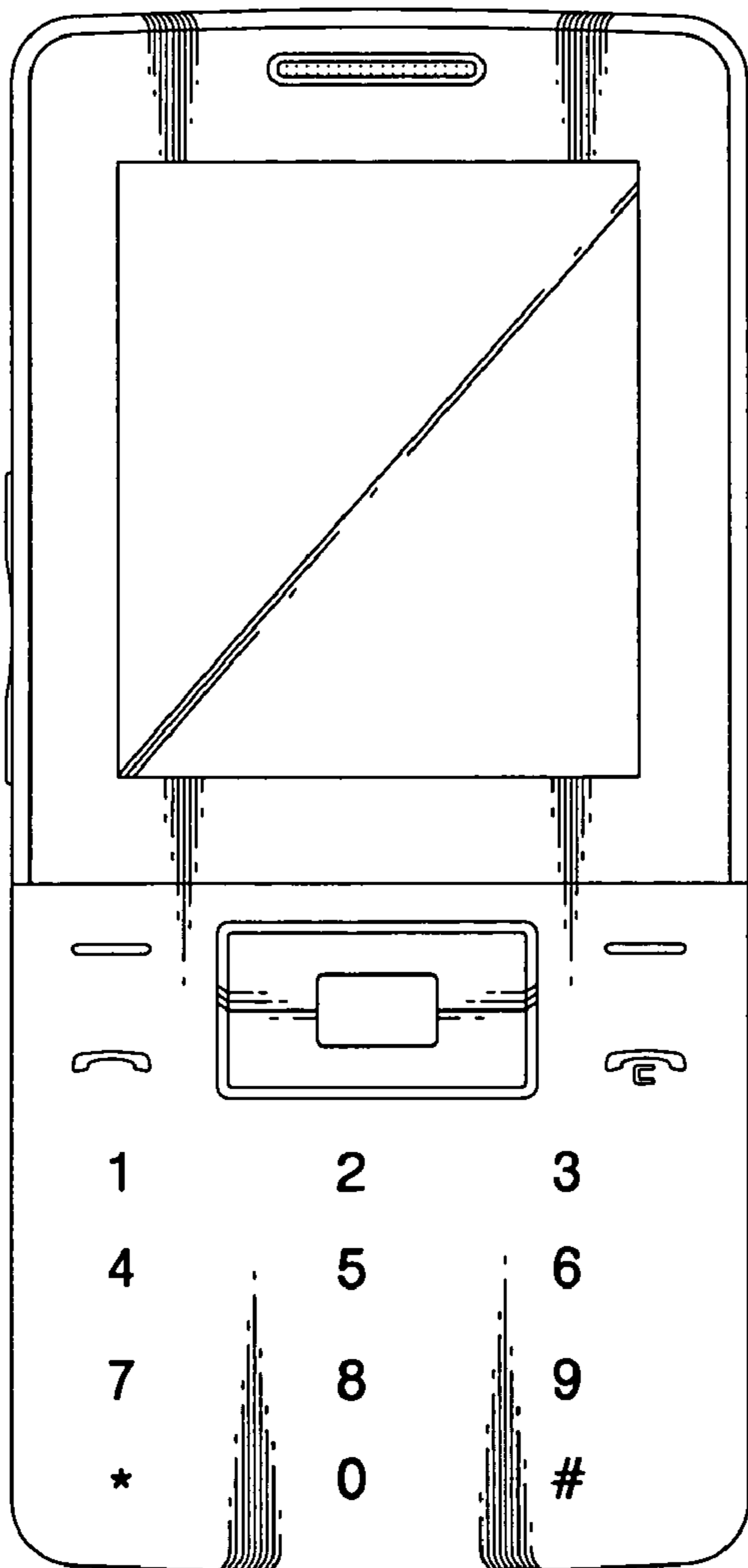


FIG.3

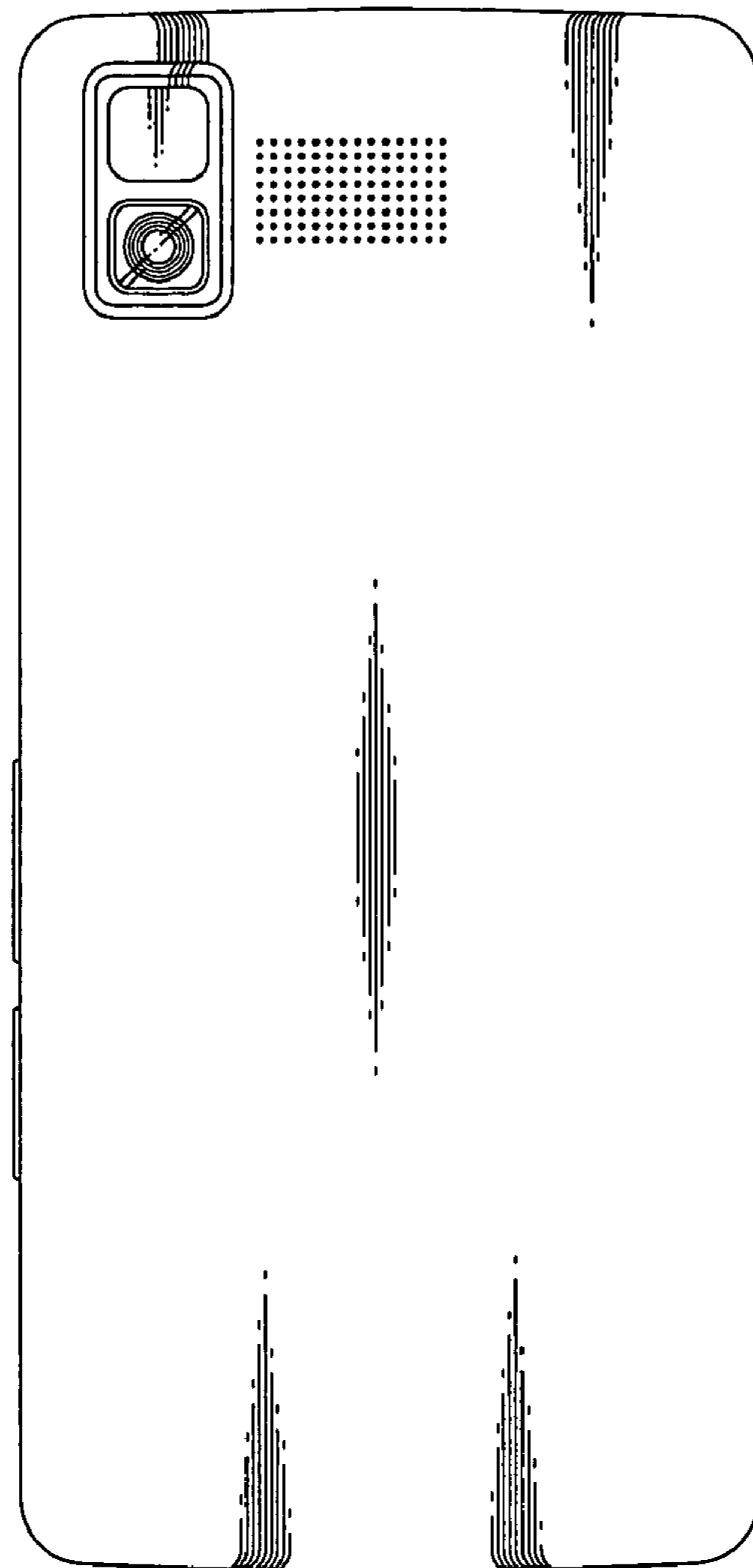


FIG. 4

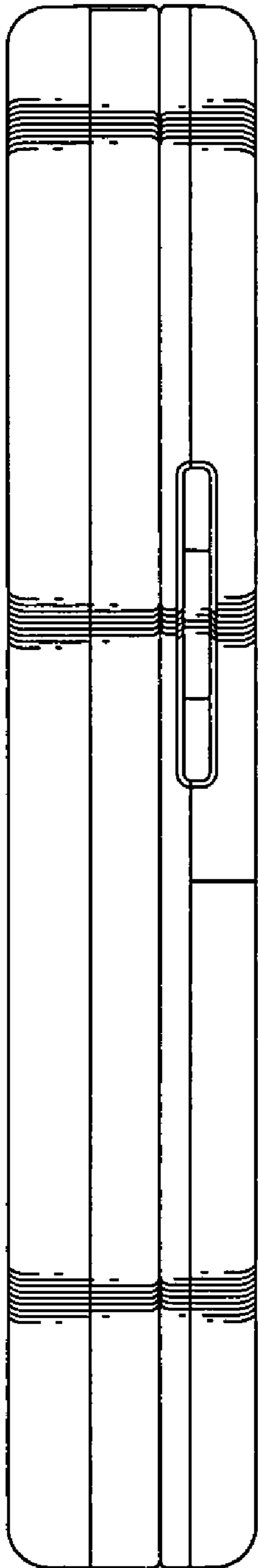


FIG. 5

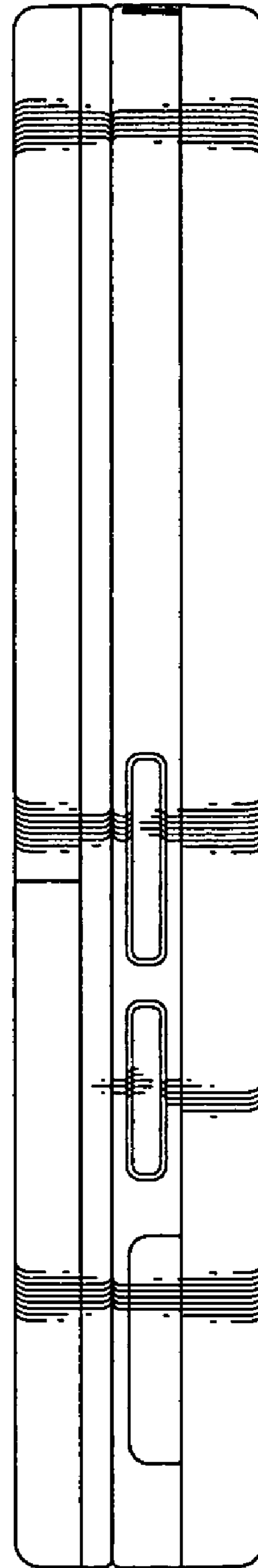


FIG. 6

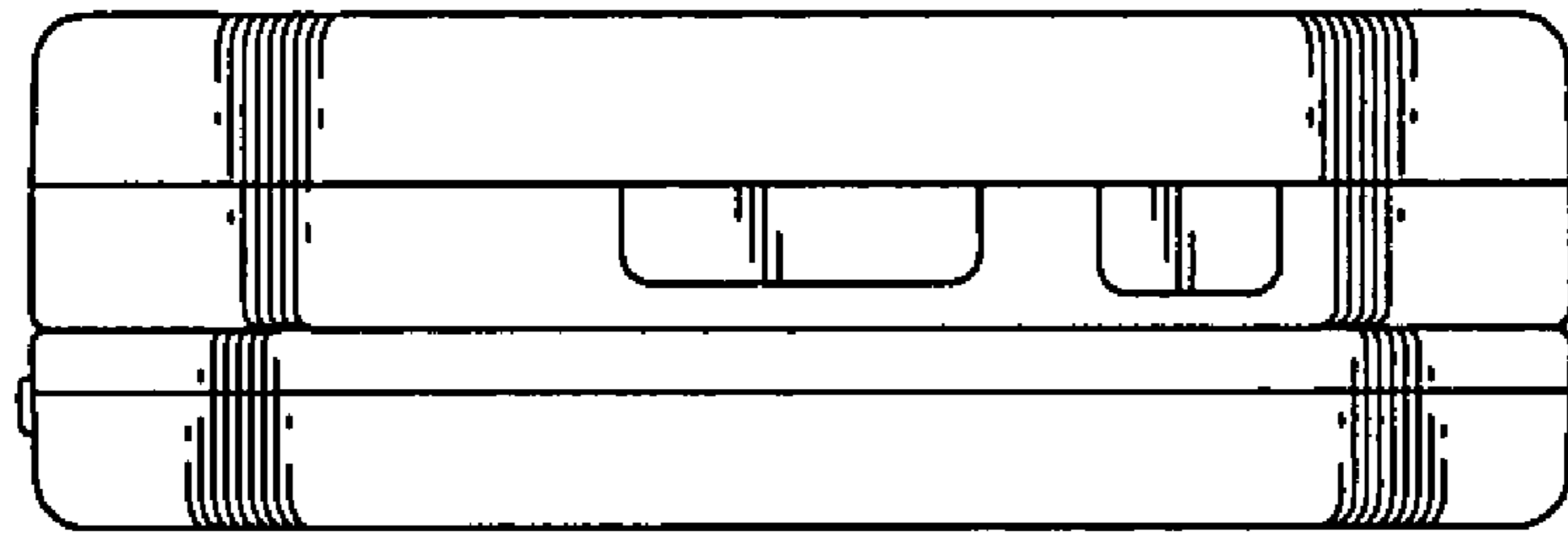


FIG. 7

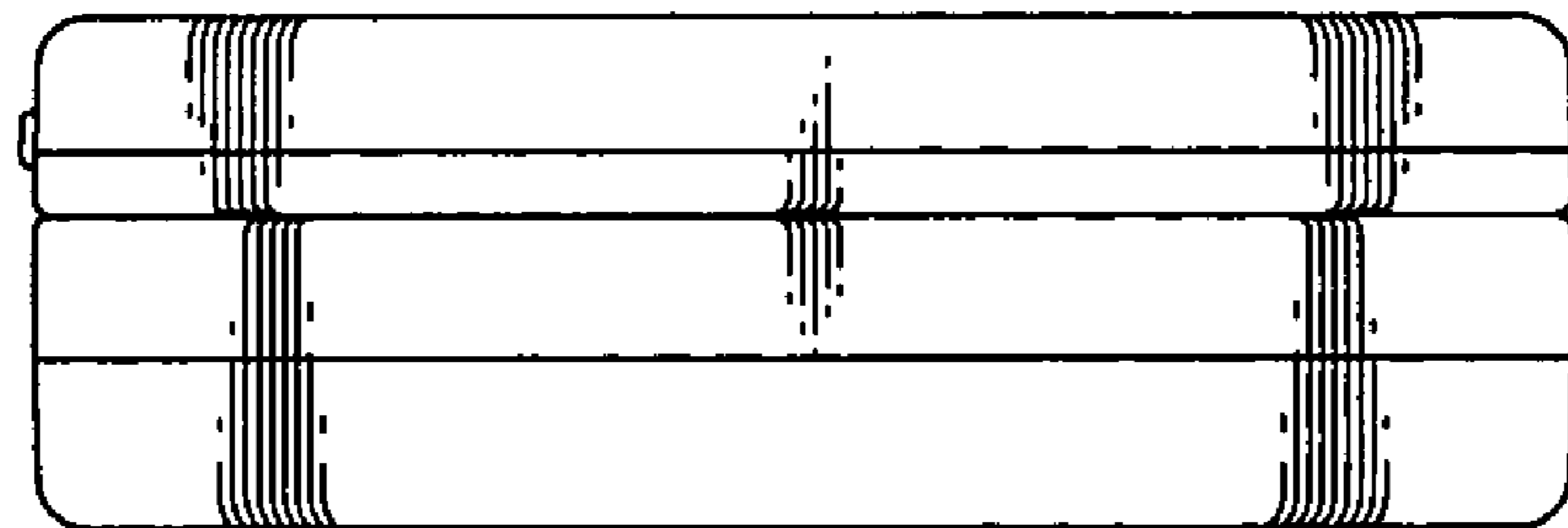


FIG. 8

