

US00D561723S

(12) **United States Design Patent** (10) **Patent No.:** **US D561,723 S**  
**Kim et al.** (45) **Date of Patent:** **\*\* Feb. 12, 2008**

(54) **MOBILE PHONE**

(75) Inventors: **Young-Soo Kim**, Goyang-si (KR);  
**Joon-Suh Kim**, Anyang-si (KR);  
**Chang-Soo Lee**, Incheon (KR)

(73) Assignee: **Samsung Electronics Co., Ltd.**,  
Suwon-Si (KR)

(\*\*) Term: **14 Years**

(21) Appl. No.: **29/272,158**

(22) Filed: **Feb. 2, 2007**

(30) **Foreign Application Priority Data**

Dec. 7, 2006 (KR) ..... 30-2006-0048603

(51) **LOC (8) Cl.** ..... **14-03**

(52) **U.S. Cl.** ..... **D14/138**

(58) **Field of Classification Search** ..... D14/137-138,  
D14/147-148, 156, 218, 247-248, 341-347,  
D14/496; D16/208; D21/329, 331, 333,  
D21/517; 348/14.01-14.02; 361/814; 379/  
433.01-433.13; 455/90.3, 556.1-556.2,  
455/566, 575.1, 575.3, 575.4

See application file for complete search history.

(56) **References Cited**

**U.S. PATENT DOCUMENTS**

D461,803 S *	8/2002	Griffin et al.	.....	D14/346
D477,596 S *	7/2003	Hayes	.....	D14/343
D490,422 S *	5/2004	Iwama et al.	.....	D14/346
D496,933 S *	10/2004	Wu	.....	D14/346
D502,159 S *	2/2005	Chan et al.	.....	D14/138
D507,568 S *	7/2005	Schlieffers et al.	.....	D14/346
D518,820 S *	4/2006	Hawkins et al.	.....	D14/346
D529,024 S *	9/2006	Daw et al.	.....	D14/346
D529,909 S *	10/2006	Daw et al.	.....	D14/346
D531,609 S *	11/2006	Kim et al.	.....	D14/138

D546,810 S *	7/2007	Kwak	.....	D14/138
D548,218 S *	8/2007	Hong et al.	.....	D14/138
2006/0258326 A1 *	11/2006	Webb	.....	455/350

**FOREIGN PATENT DOCUMENTS**

WO DM/067686 \* 3/2006

**OTHER PUBLICATIONS**

Samsung i600, announced Dec. 2006, <URL:http://www.gsmarena.com/samsung\_i600-1807.php>, retrieved from internet on Sep. 1, 2007.\*

Motorola Q 8, announced Jul. 2005, <URL:http://www.gsmarena.com/motorola\_q\_8-1232.php>, retrieved from internet on Sep. 1, 2007.\*

Motorola, Q 9h, announced Feb. 2007, <URL:http://www.gsmarena.com/motorola\_q\_8-1232.php>, retrieved from internet on Sep. 1, 2007.\*

\* cited by examiner

*Primary Examiner*—Ian Simmons

*Assistant Examiner*—Carla Jobe Wright

(74) *Attorney, Agent, or Firm*—Staas & Halsey LLP

(57) **CLAIM**

The ornamental design for a mobile phone, as shown and described.

**DESCRIPTION**

FIG. 1 is a perspective view of a mobile phone;  
FIG. 2 is a front view of the mobile phone of FIG. 1;  
FIG. 3 is a rear view of the mobile phone of FIG. 1;  
FIG. 4 is a left-side view of the mobile phone of FIG. 1;  
FIG. 5 is a right-side view of the mobile phone of FIG. 1;  
FIG. 6 is a top plan view of the mobile phone of FIG. 1; and,  
FIG. 7 is a bottom plan view of the mobile phone of FIG. 1.

**1 Claim, 5 Drawing Sheets**

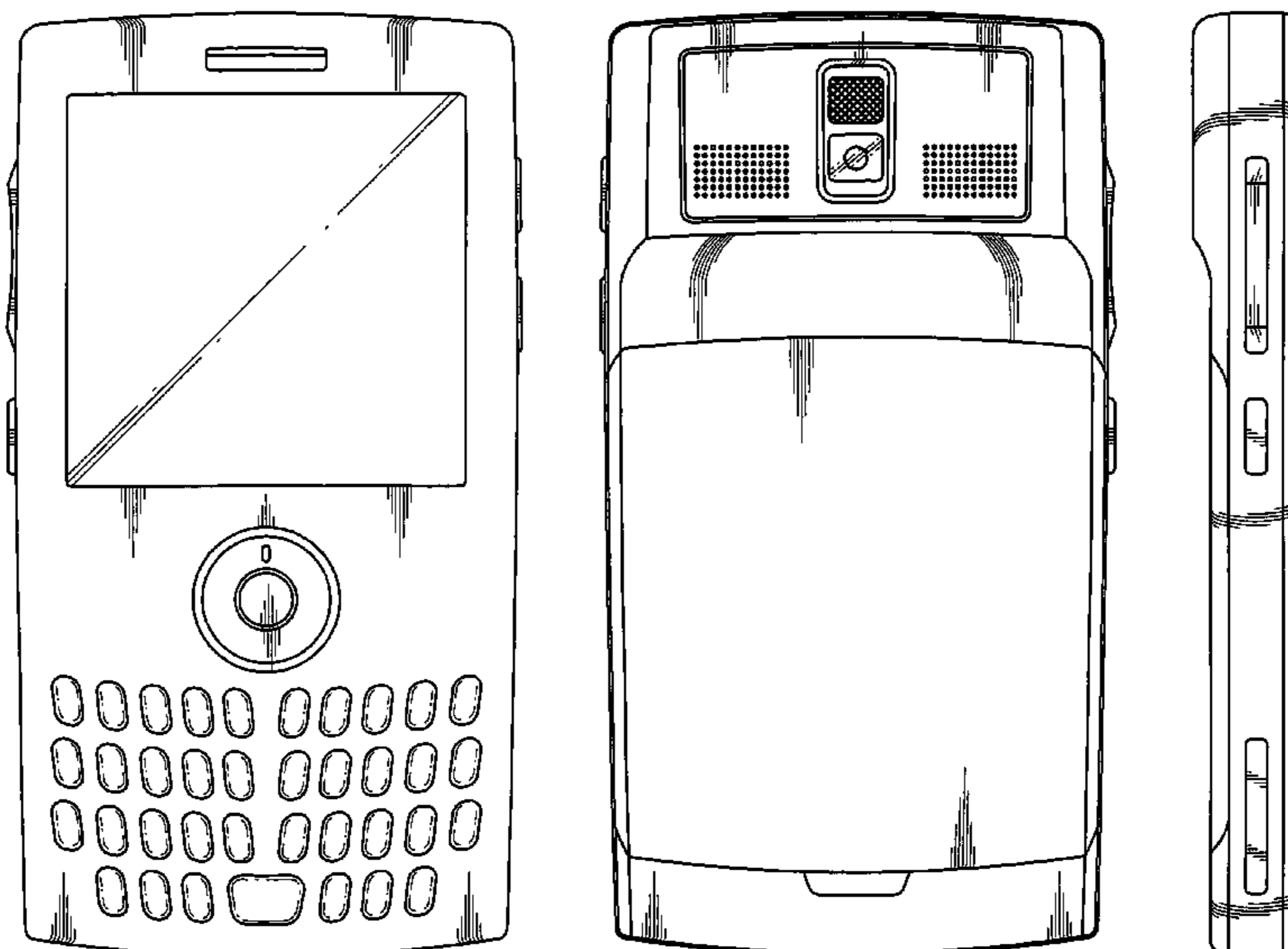


FIG. 1

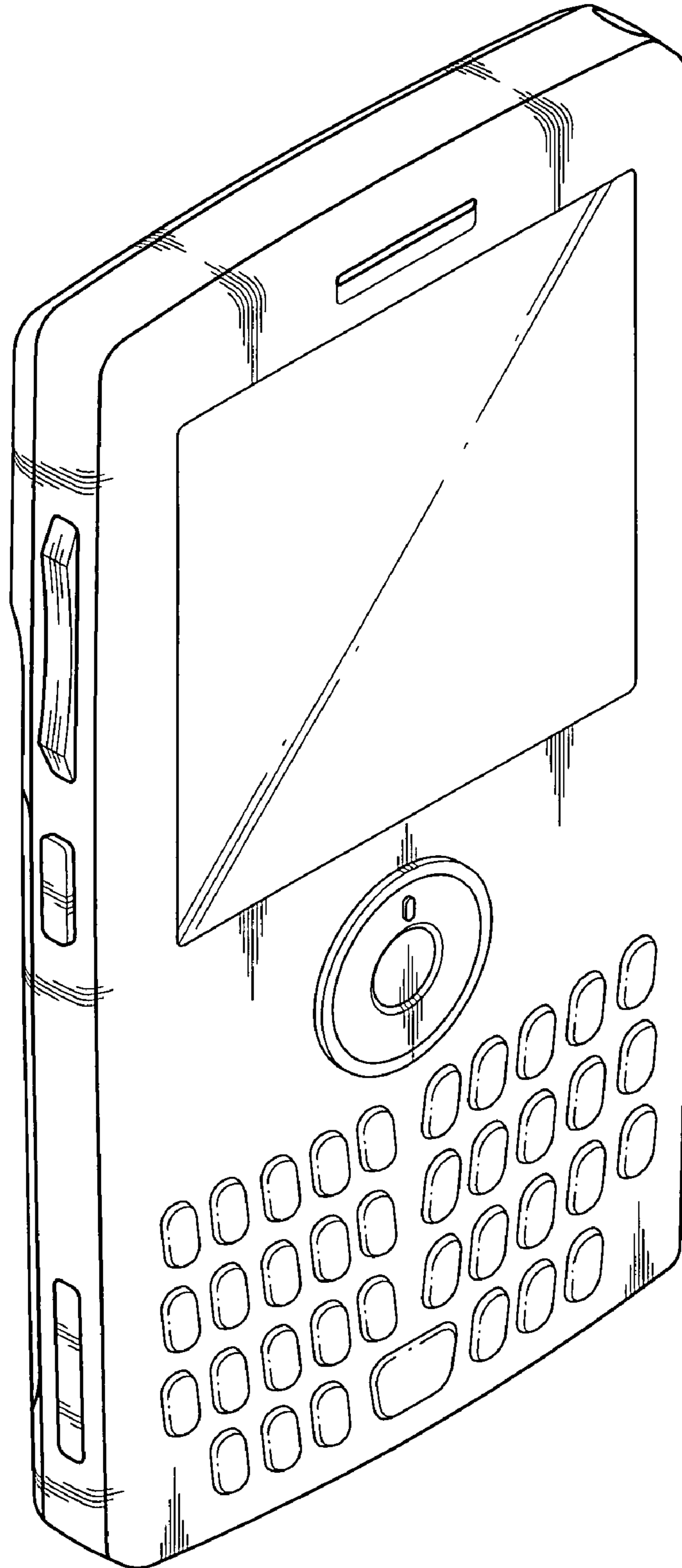


FIG. 2

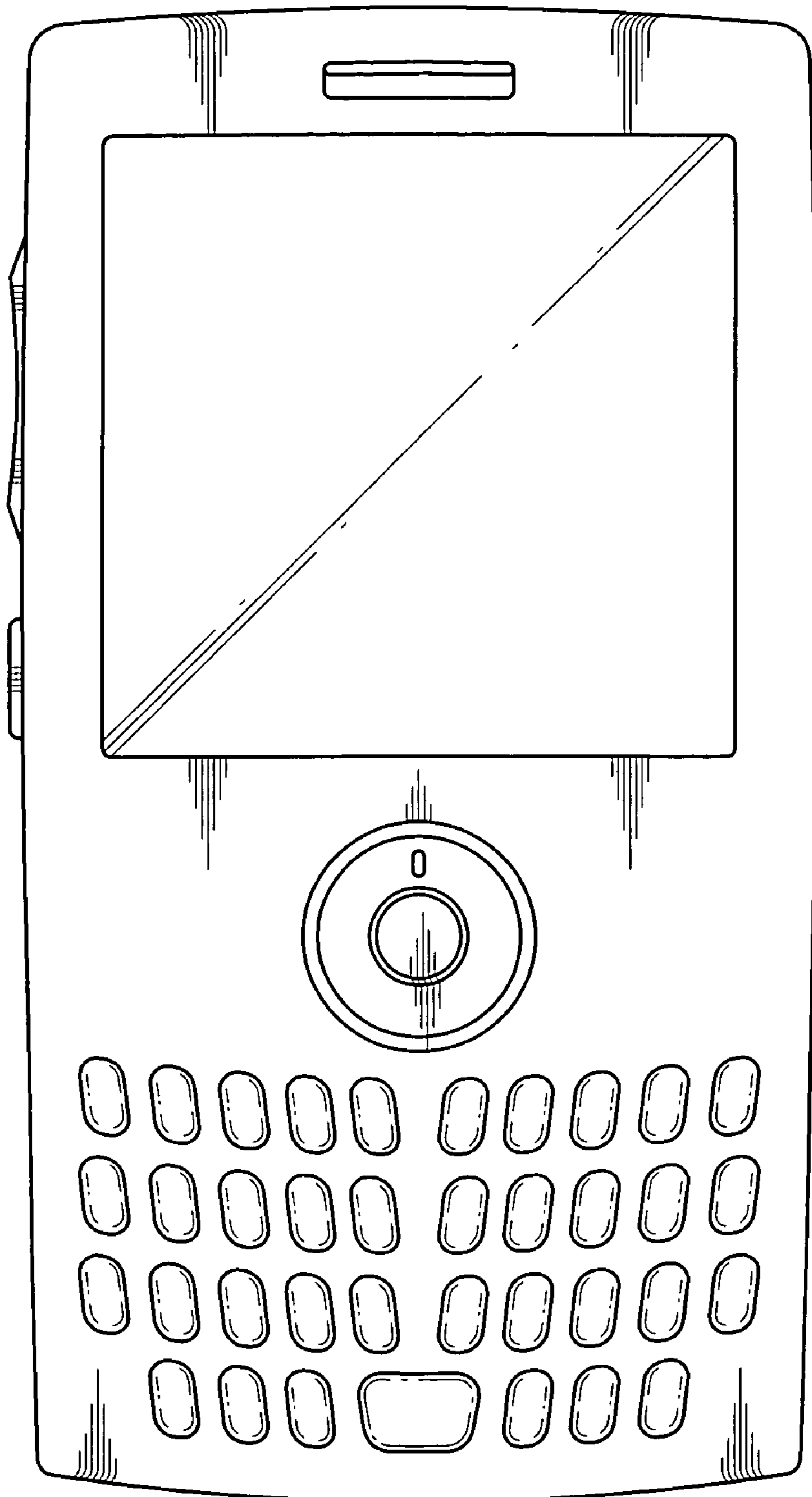


FIG. 3

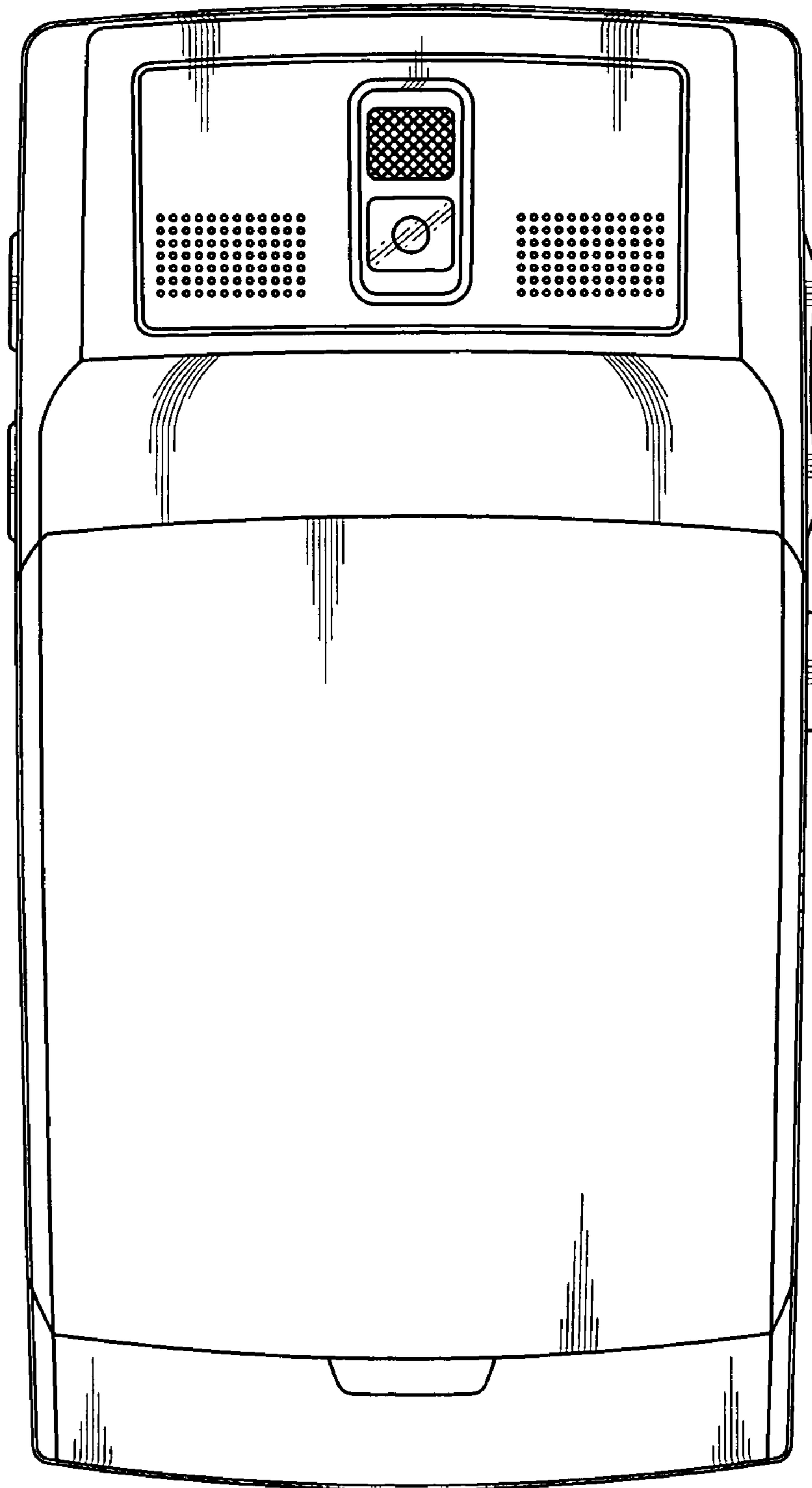


FIG. 4

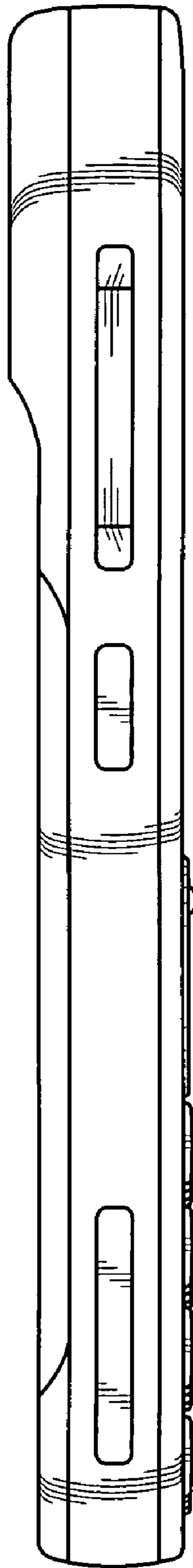


FIG. 5

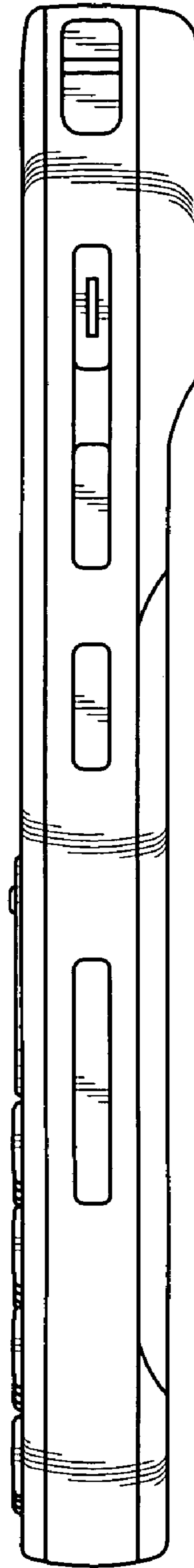


FIG. 6

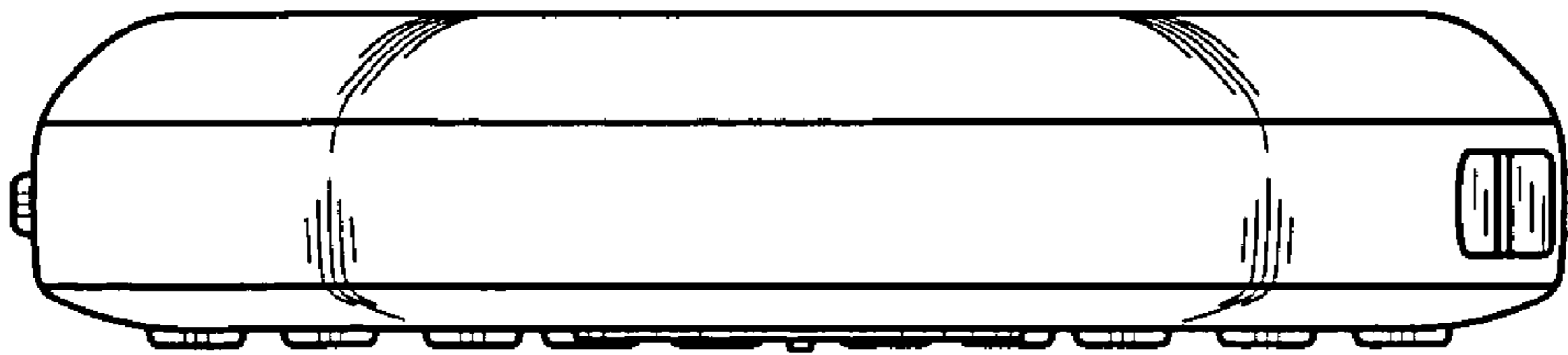


FIG. 7

