



US00D561716S

(12) **United States Design Patent**
Shimizu

(10) **Patent No.:** **US D561,716 S**

(45) **Date of Patent:** **** Feb. 12, 2008**

- (54) **DIGITAL AUDIO DISC PLAYER**
- (75) Inventor: **Akari Shimizu**, Saitama (JP)
- (73) Assignee: **Clarion Co., Ltd.**, Tokyo (JP)
- (**) Term: **14 Years**
- (21) Appl. No.: **29/270,354**
- (22) Filed: **Dec. 21, 2006**

Primary Examiner—Nanda Bondade
(74) *Attorney, Agent, or Firm*—Oliff & Berridge, PLC

(57) **CLAIM**

The ornamental design for a digital audio disc player, as shown and described.

- (51) **LOC (8) Cl.** **14-01**
- (52) **U.S. Cl.** **D14/136**
- (58) **Field of Classification Search** D14/135–136,
D14/156–157, 167–168, 198, 188, 217, 257,
D14/258, 445; 360/99.02, 99.07, 75.11,
360/75.21, 77.21, 77.11; 720/612, 619, 647,
720/655; 455/344, 347–351
See application file for complete search history.

DESCRIPTION

FIG. 1 is a reduced perspective view of a digital audio disc player;
 FIG. 2 is a front view thereof;
 FIG. 3 is a rear view thereof;
 FIG. 4 is a left side view thereof;
 FIG. 5 is a right side view thereof;
 FIG. 6 is a top view thereof;
 FIG. 7 is a bottom view thereof; and,
 FIG. 8 is a reduced perspective view thereof with a front panel in an open position.
 The broken lines are for illustrative purposes only and form no part of the claimed design.

(56) **References Cited**

U.S. PATENT DOCUMENTS

- D400,529 S * 11/1998 Kakizaki D14/157
- 5,852,594 A * 12/1998 Kaise et al. 720/647
- D475,691 S * 6/2003 Nishii et al. D14/157
- D480,373 S * 10/2003 Oda et al. D14/136

FOREIGN PATENT DOCUMENTS

JP 1119605 8/2001

* cited by examiner

1 Claim, 6 Drawing Sheets

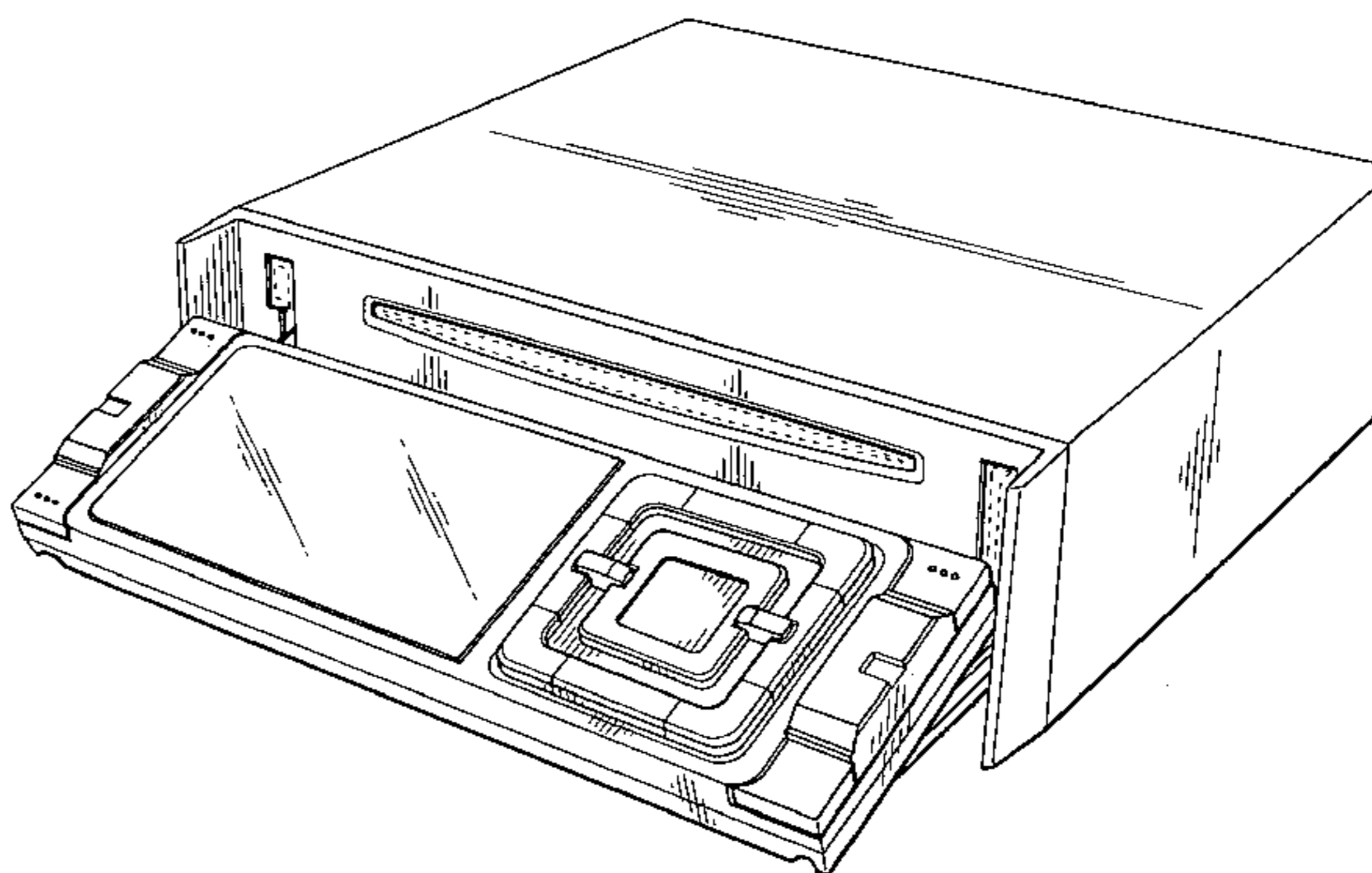
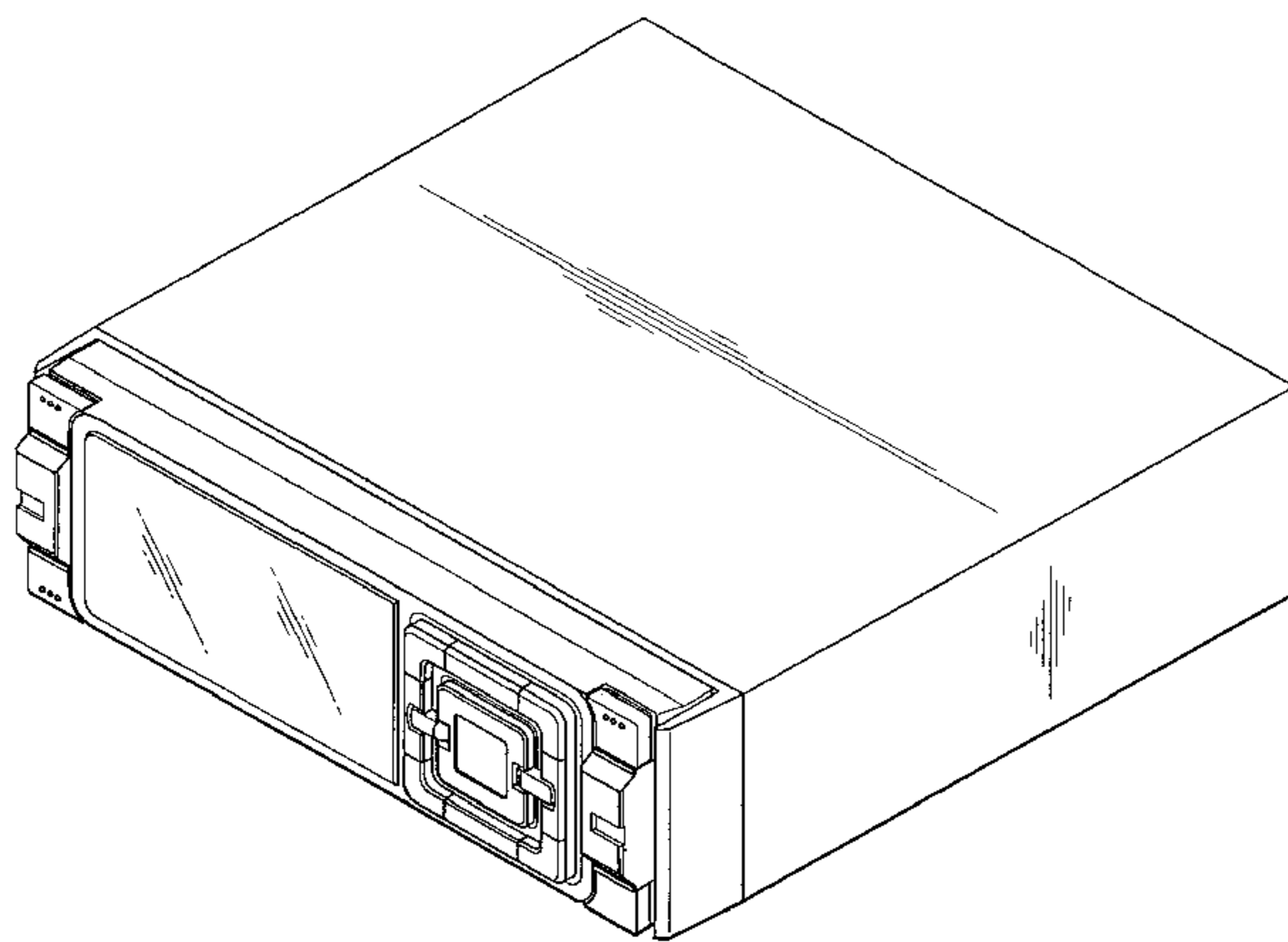


FIG. 1

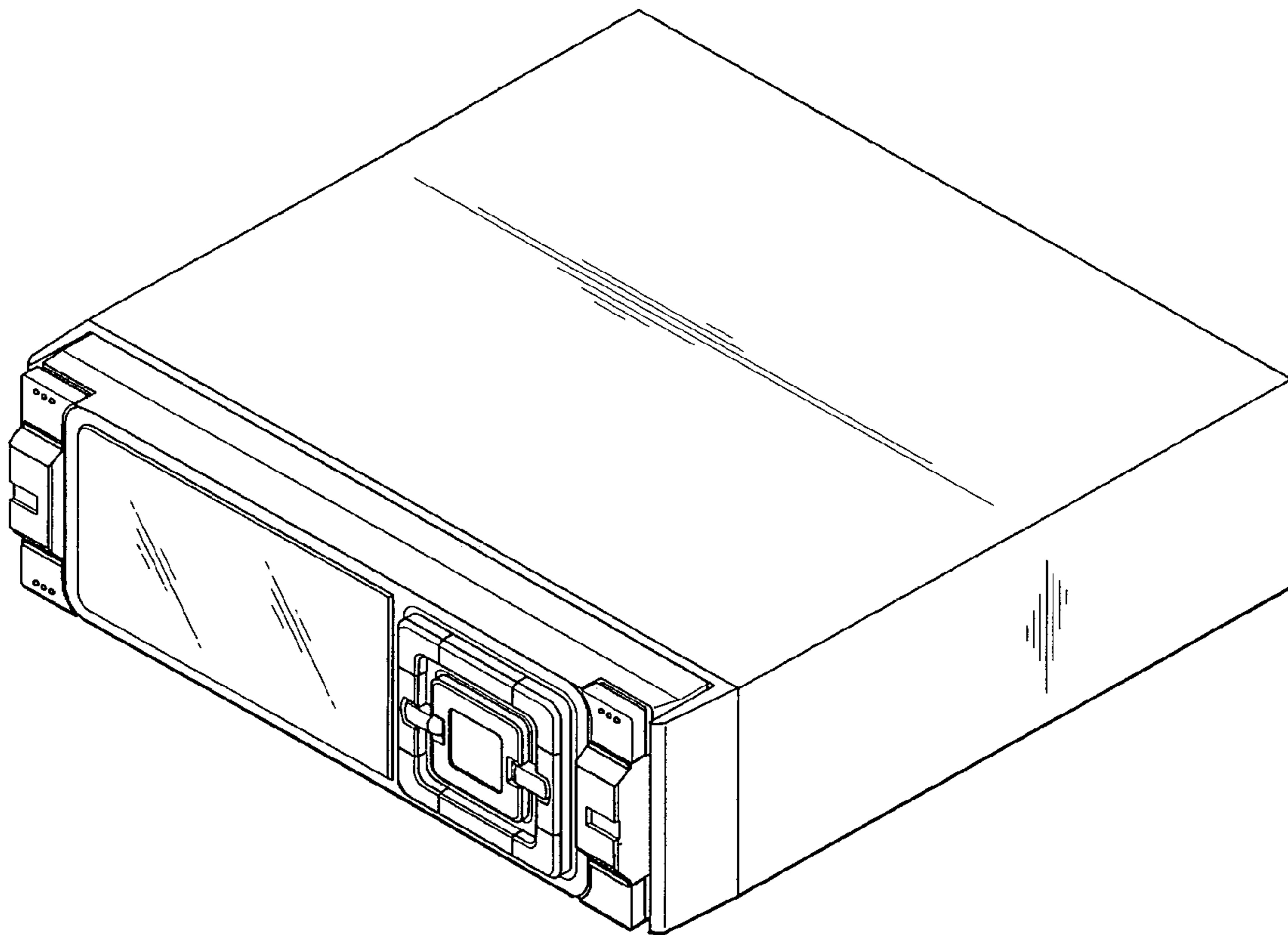


FIG.2

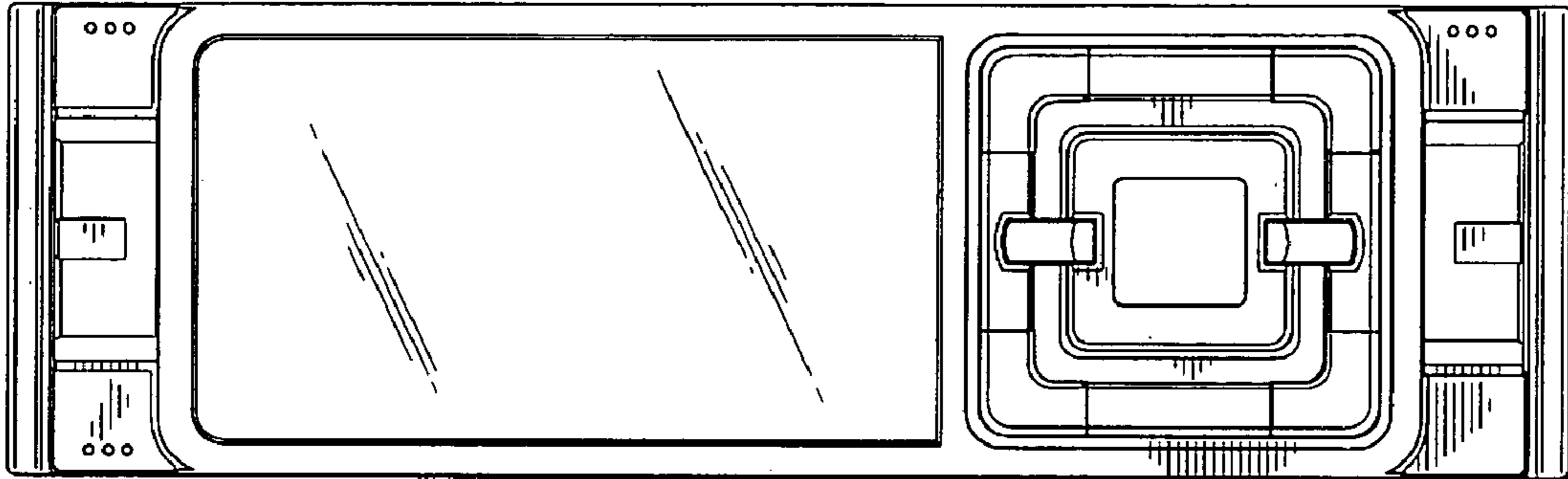


FIG.3

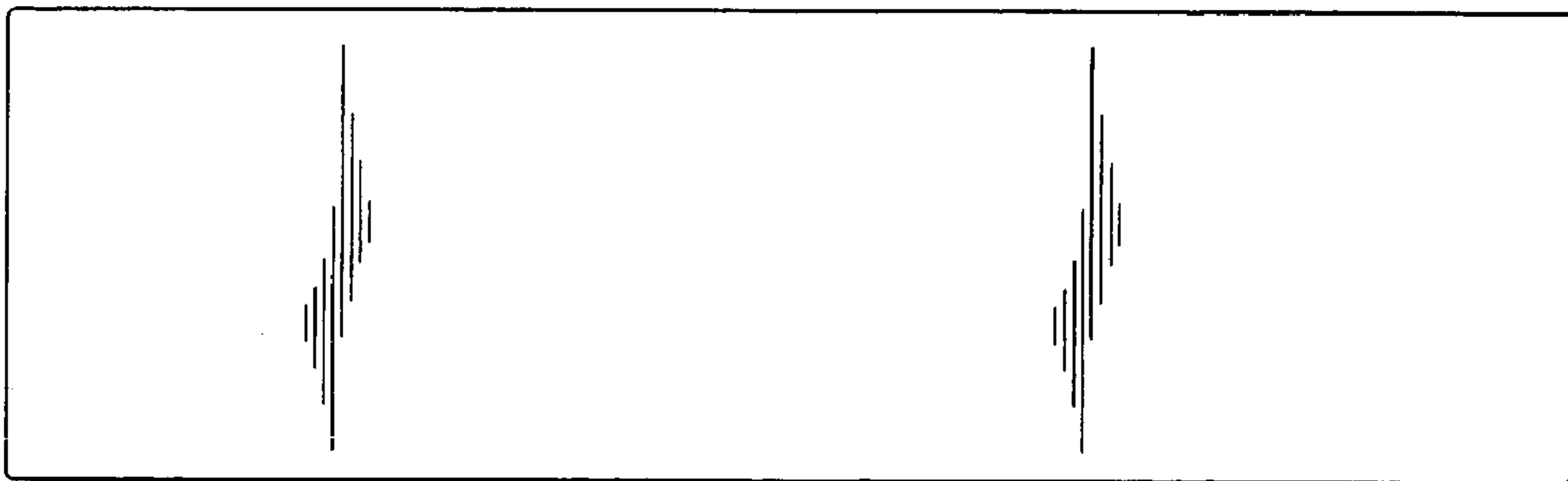


FIG. 4

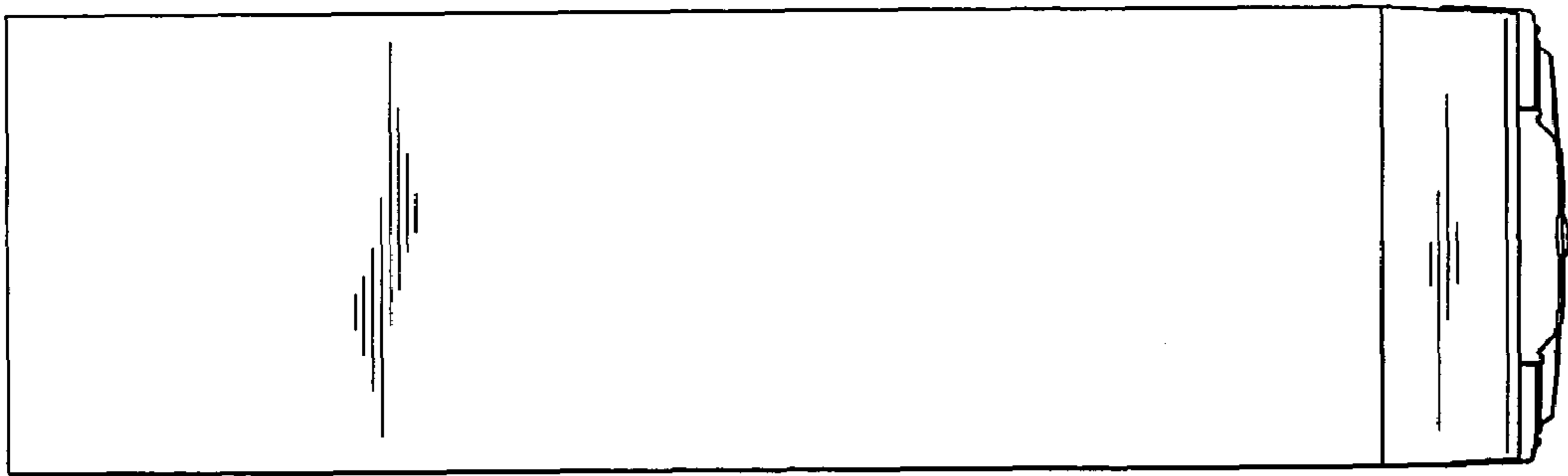


FIG. 5

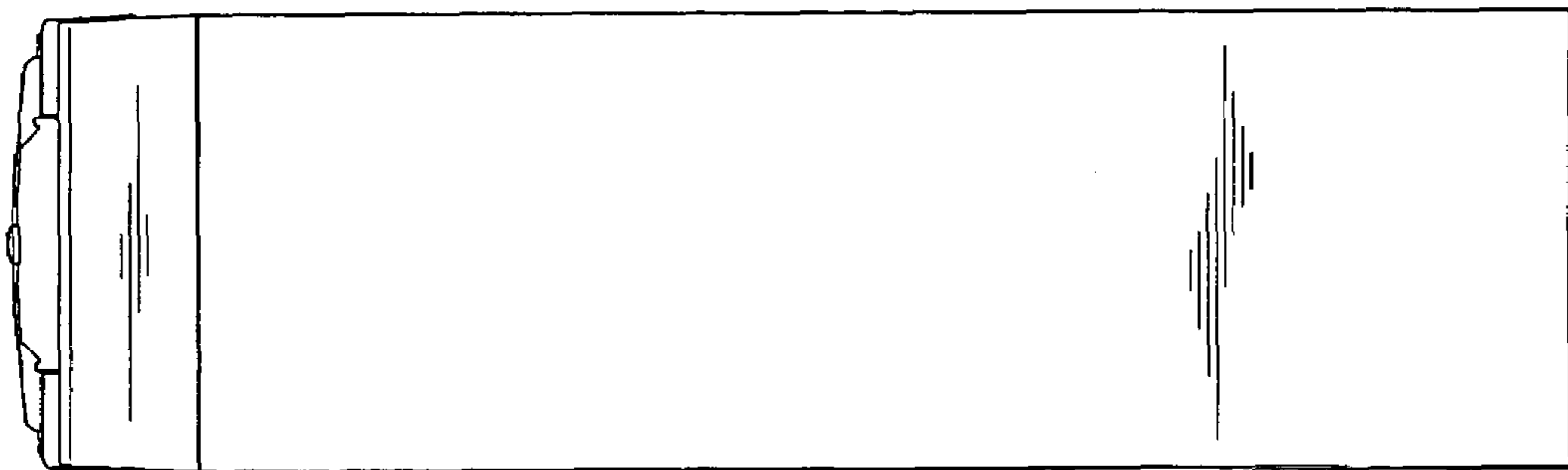


FIG.6

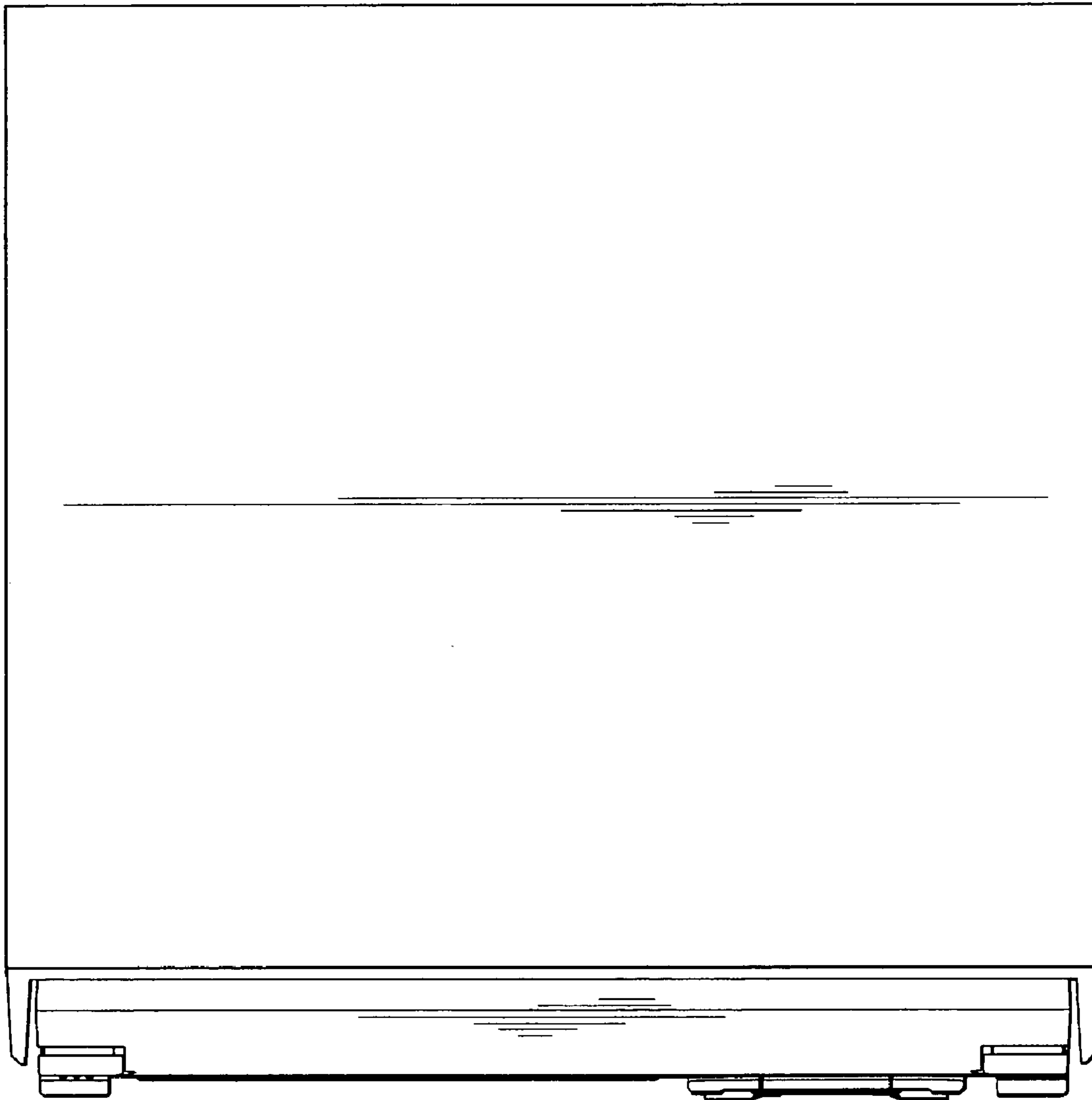


FIG. 7

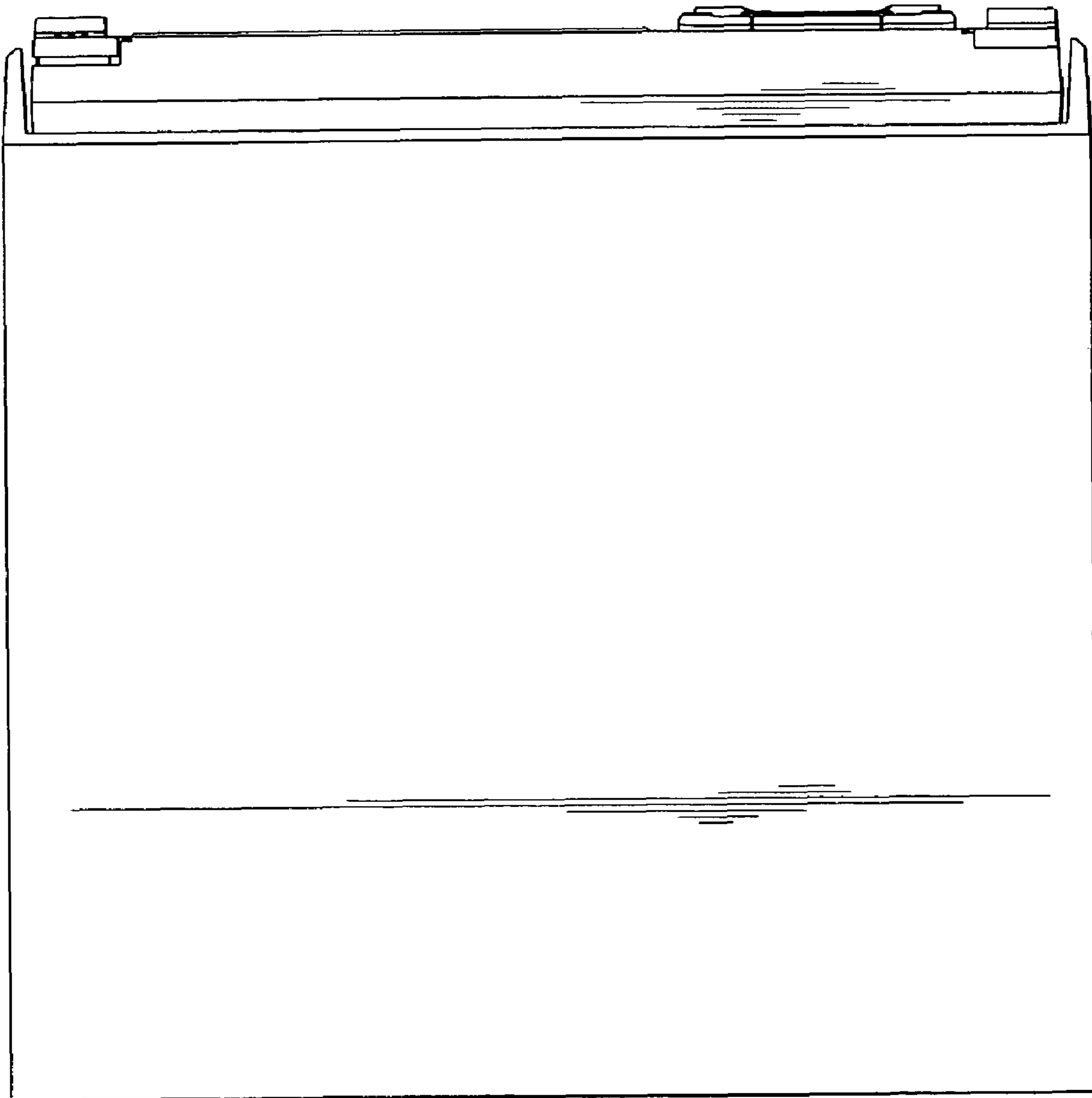


FIG.8

