



US00D561715S

(12) **United States Design Patent**
Sugiyama

(10) **Patent No.:** **US D561,715 S**
(45) **Date of Patent:** **** Feb. 12, 2008**

- (54) **OPTICAL DISC PLAYER**
- (75) Inventor: **Naoki Sugiyama**, Tokyo (JP)
- (73) Assignee: **Sony Corporation**, Tokyo (JP)
- (**) Term: **14 Years**
- (21) Appl. No.: **29/269,977**
- (22) Filed: **Dec. 13, 2006**
- (30) **Foreign Application Priority Data**
Aug. 17, 2006 (JP) D2006-021818
- (51) **LOC (8) Cl.** **14-01**
- (52) **U.S. Cl.** **D14/136; D14/156**
- (58) **Field of Classification Search** D14/135-136,
D14/156, 167-168, 188, 217, 496; 360/99.02,
360/99.07; 369/75.11, 75.21, 77.21, 77.11;
720/612, 619, 647, 655; 455/344, 347-351
See application file for complete search history.

D518,018 S 3/2006 Hirano et al.
D525,234 S 7/2006 Yokoyama
D532,403 S * 11/2006 Lee D14/156

FOREIGN PATENT DOCUMENTS

JP D1231683 S 2/2005

* cited by examiner

Primary Examiner—Nanda Bondade

(74) *Attorney, Agent, or Firm*—Rader, Fishman & Grauer, PLLC

(57) **CLAIM**

The ornamental design for an optical disc player, as shown.

DESCRIPTION

FIG. 1 is a perspective view of an optical disc player showing my new design;

FIG. 2 is a front elevational view thereof;

FIG. 3 is a rear elevational view thereof;

FIG. 4 is a left side elevational view thereof;

FIG. 5 is a right side elevational view thereof;

FIG. 6 is a top plan view thereof; and,

FIG. 7 is a bottom plan view thereof.

(56) **References Cited**

U.S. PATENT DOCUMENTS

D462,942 S 9/2002 Murakami
D471,885 S * 3/2003 Wada D14/156
D503,394 S 3/2005 Naito
D518,016 S 3/2006 Hirano

1 Claim, 7 Drawing Sheets

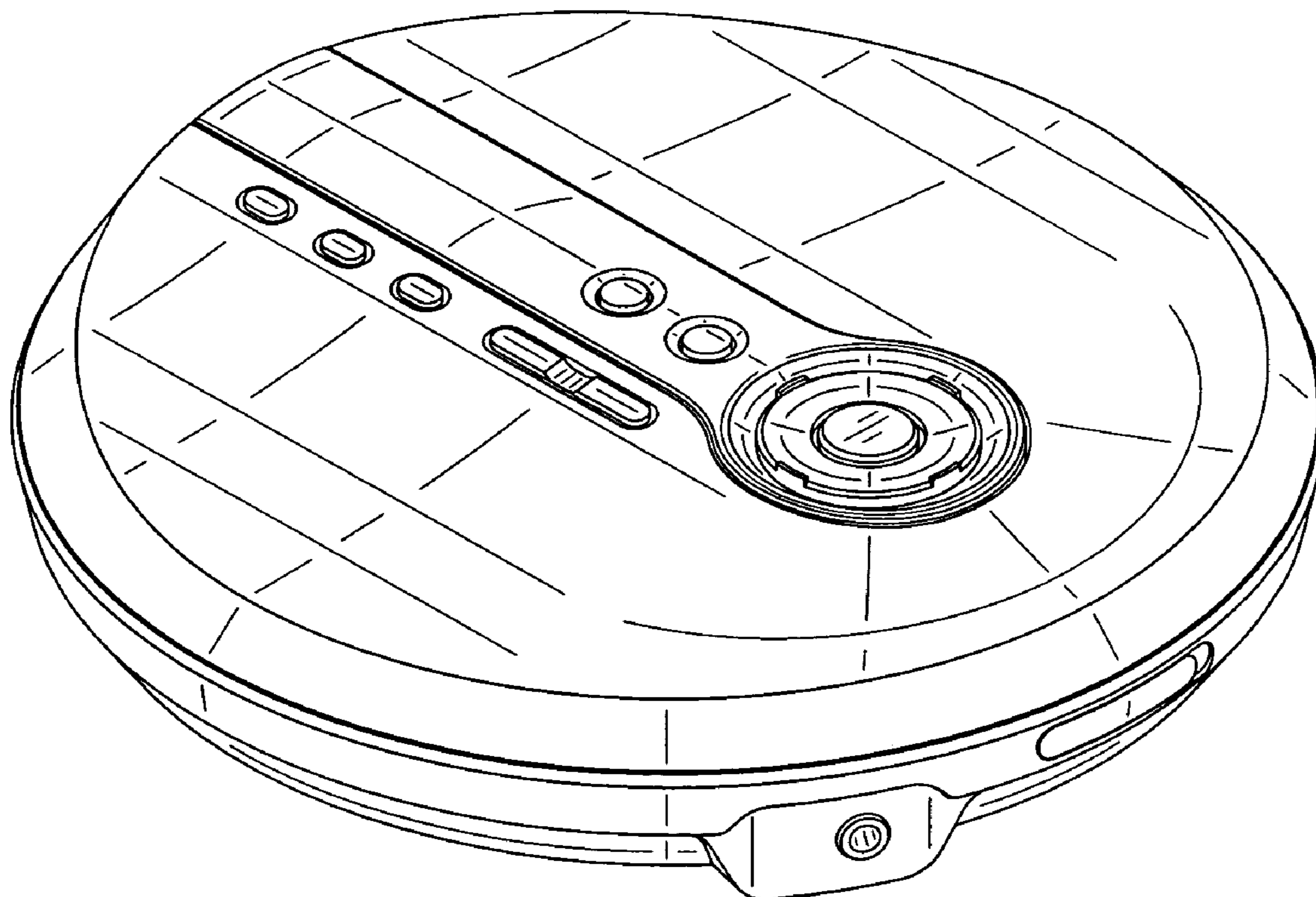


Fig.1

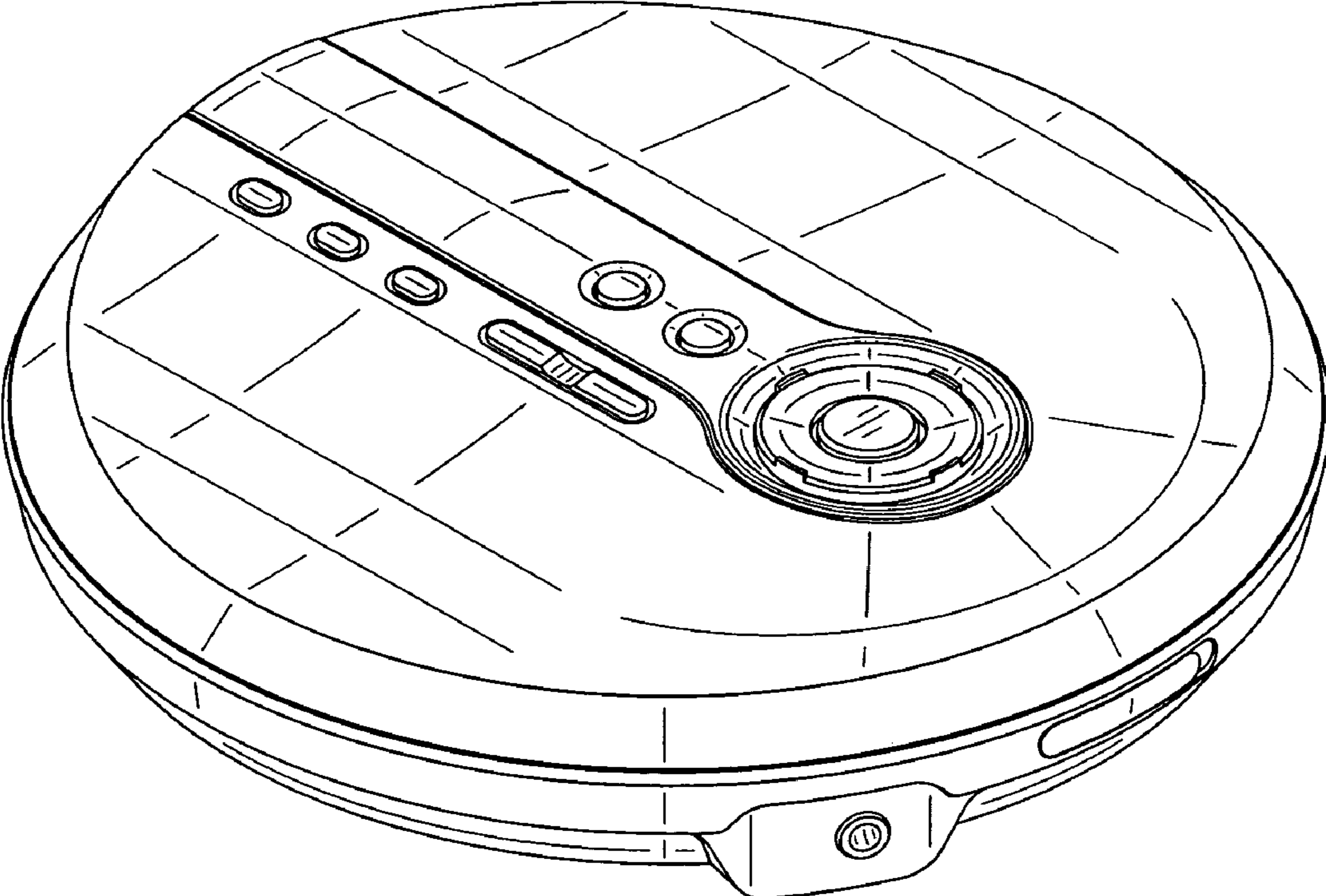


Fig.2

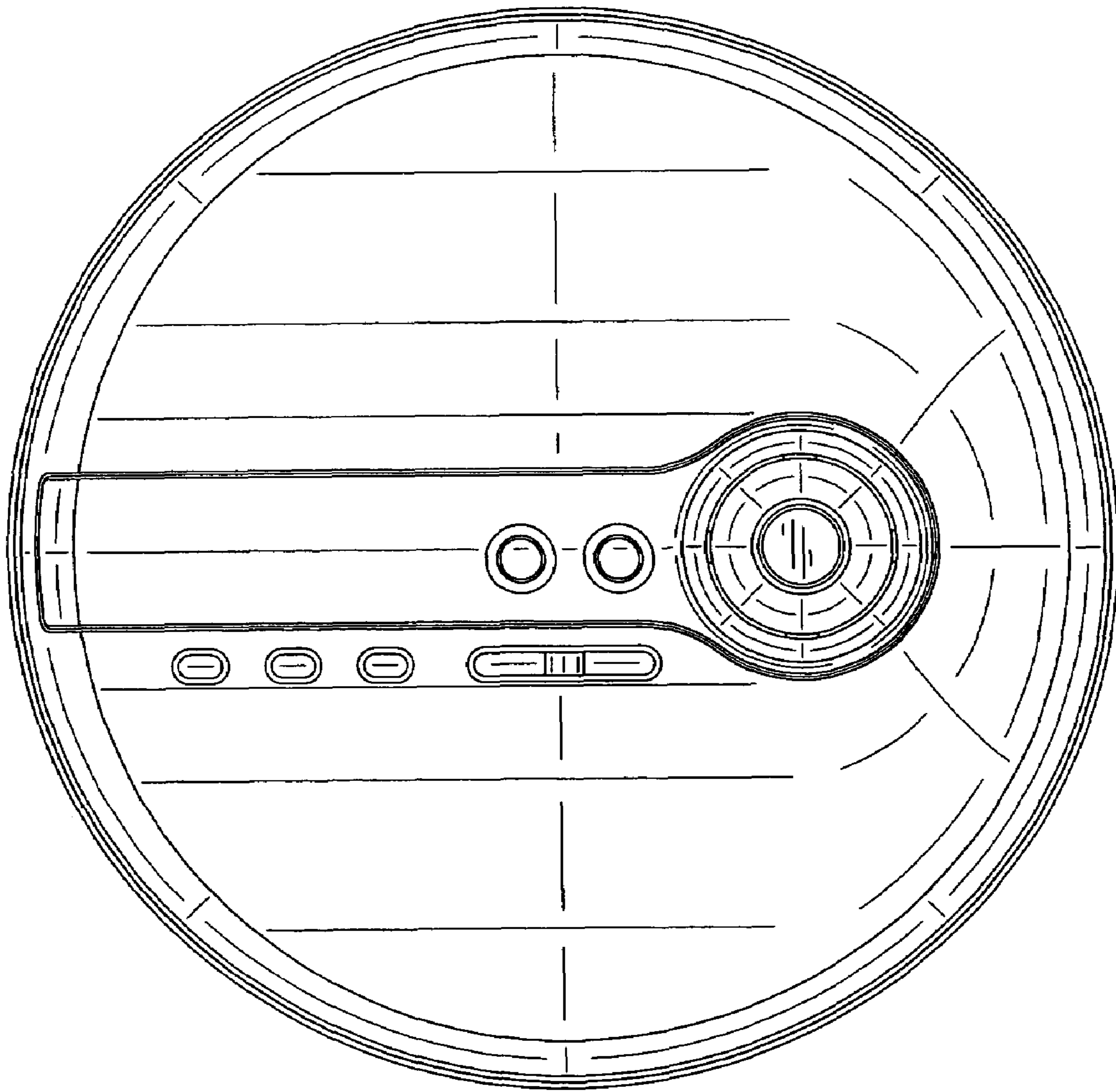


Fig.3

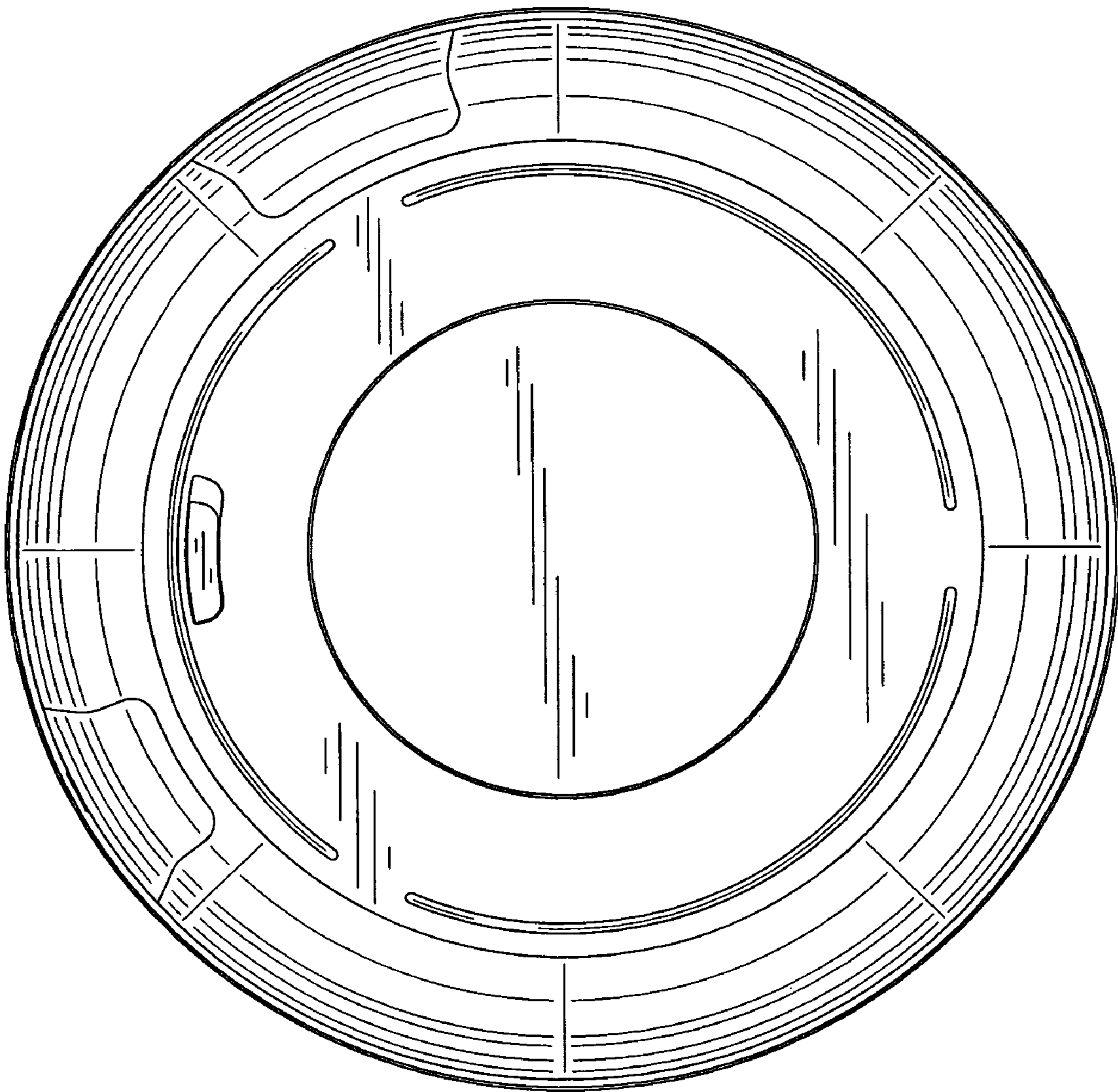


Fig.4

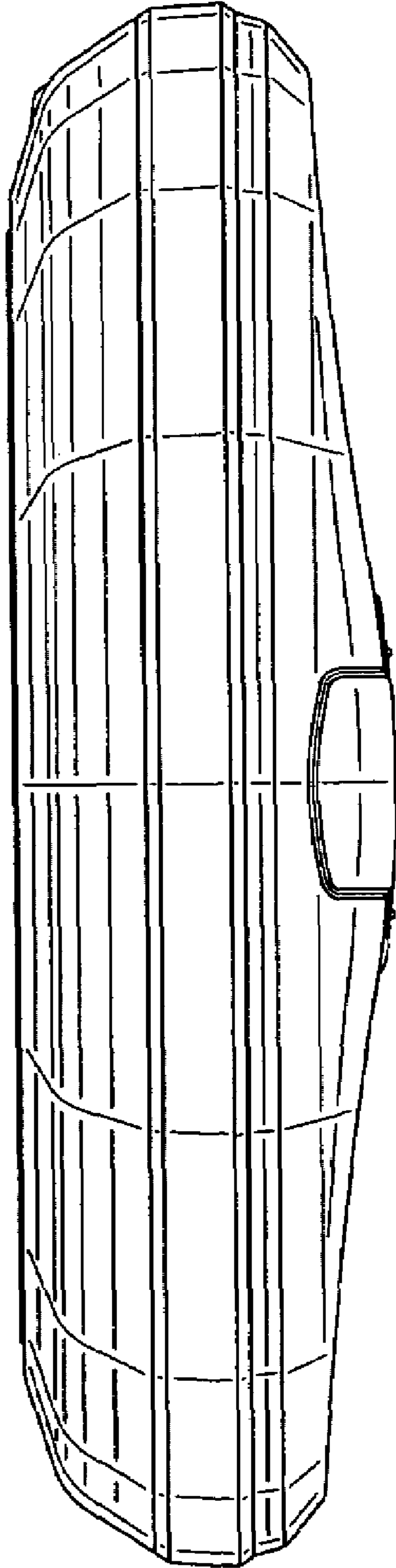


Fig.5

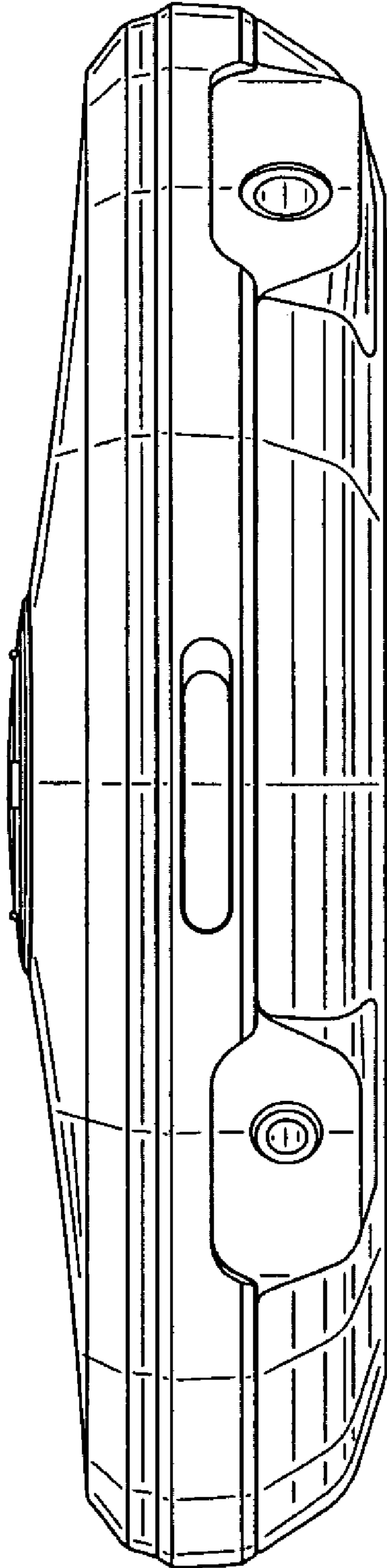


Fig.6

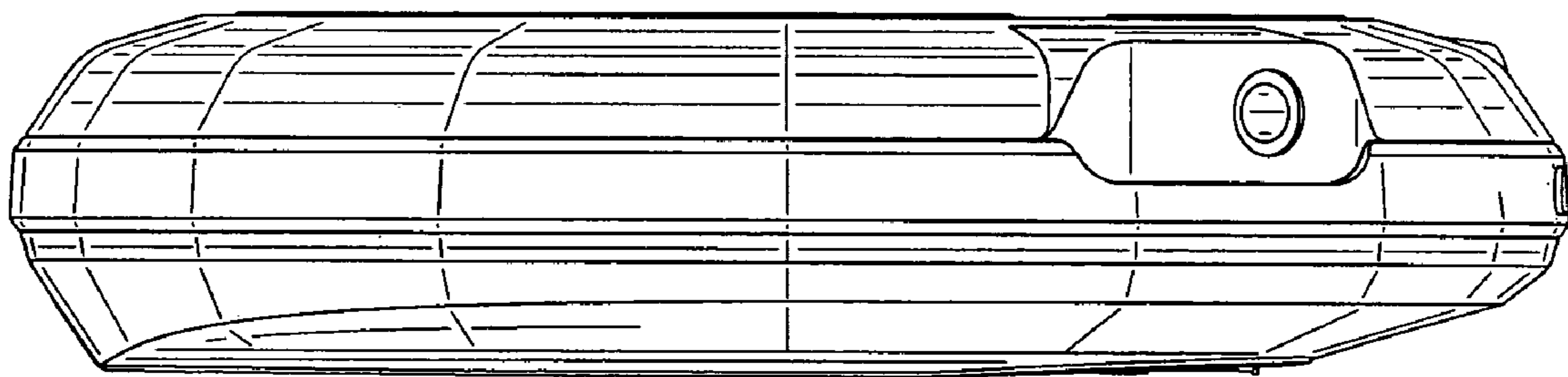


Fig.7

