



US00D561714S

(12) **United States Design Patent**
Bloem

(10) **Patent No.:** **US D561,714 S**

(45) **Date of Patent:** **** Feb. 12, 2008**

(54) **TELEVISION SET**

(75) Inventor: **Reinier Bloem**, Taipei (TW)

(73) Assignee: **Hannspree, Inc.**, Taipei (TW)

(**) Term: **14 Years**

(21) Appl. No.: **29/280,182**

(22) Filed: **May 18, 2007**

(30) **Foreign Application Priority Data**

Mar. 23, 2007 (TW) 96301658

(51) **LOC (8) Cl.** **14-03**

(52) **U.S. Cl.** **D14/126**

(58) **Field of Classification Search** D14/125-134,
D14/239, 371, 136, 374-377; 312/7.2; 348/836,
348/838, 180, 184, 325, 739; 341/12; 248/917-924,
248/465; 345/104, 133, 156, 168, 87, 173;
720/605, 669, 600, 655; 369/99, 197; 455/344-347
See application file for complete search history.

(56) **References Cited**

U.S. PATENT DOCUMENTS

D363,085 S * 10/1995 Cameron D19/60

D407,983 S * 4/1999 Hui D10/15
D533,154 S * 12/2006 Nakata D14/126
D548,206 S * 8/2007 Han D14/126

* cited by examiner

Primary Examiner—Raphael Barkai

(74) *Attorney, Agent, or Firm*—Marger Johnson & McCollom, PC

(57) **CLAIM**

The ornamental design for television set, as shown and described.

DESCRIPTION

FIG. 1 is a perspective view of television set showing my new design;

FIG. 2 is a front elevational view thereof;

FIG. 3 is a rear elevational view thereof;

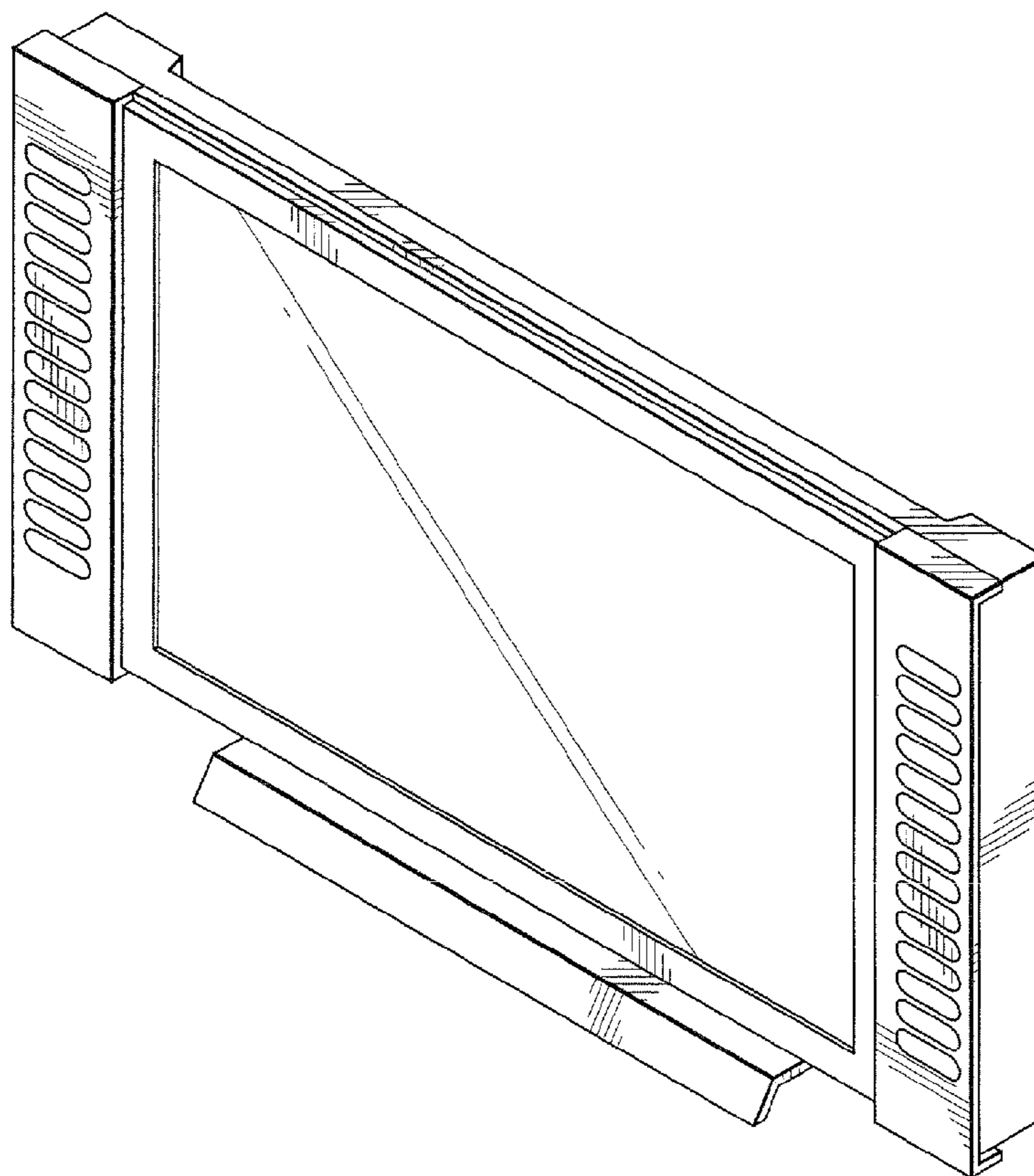
FIG. 4 is a left side elevational view thereof;

FIG. 5 is a right side elevational view thereof;

FIG. 6 is a top plan view thereof; and,

FIG. 7 is a bottom plan view thereof.

1 Claim, 4 Drawing Sheets



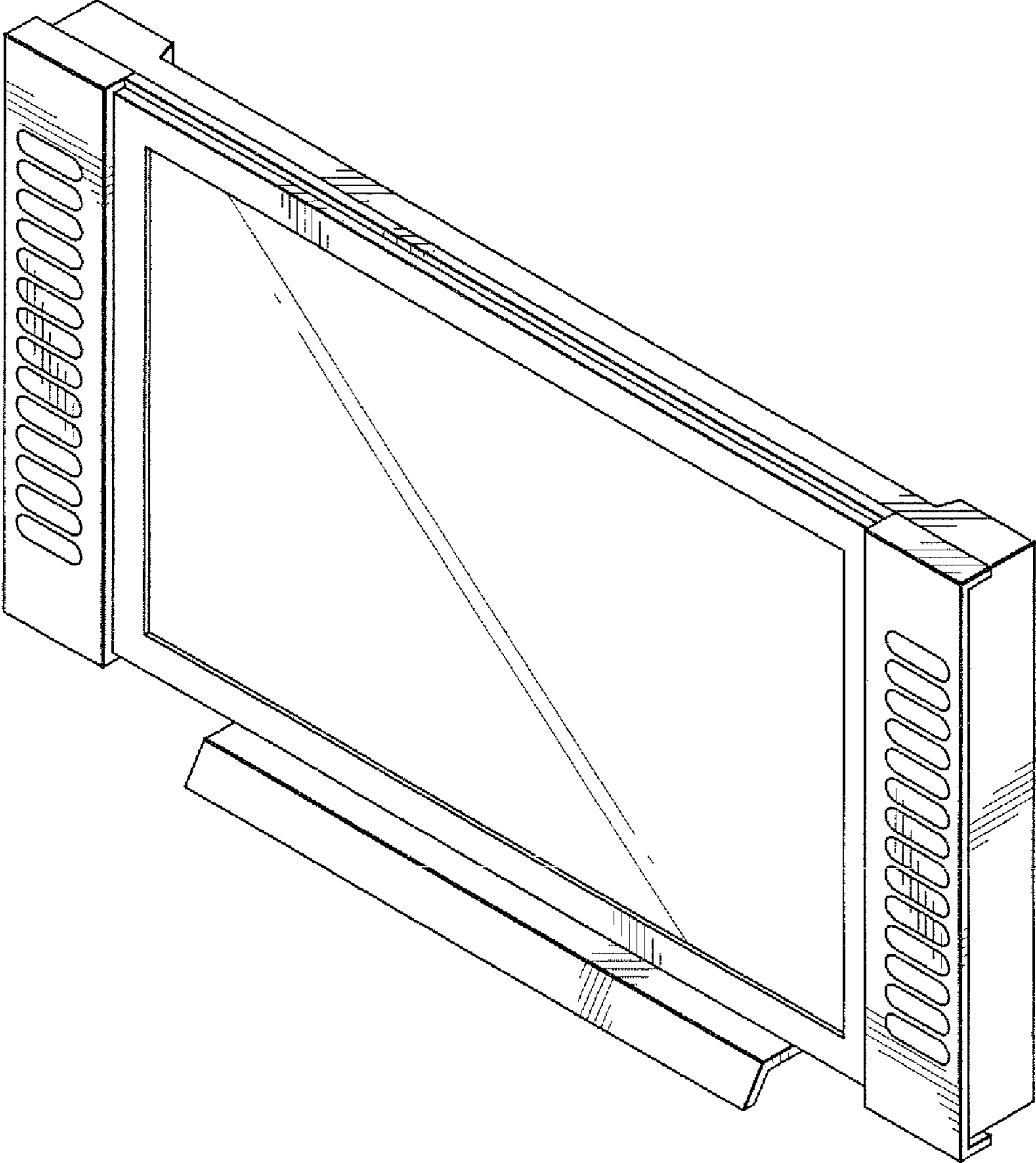


FIG. 1

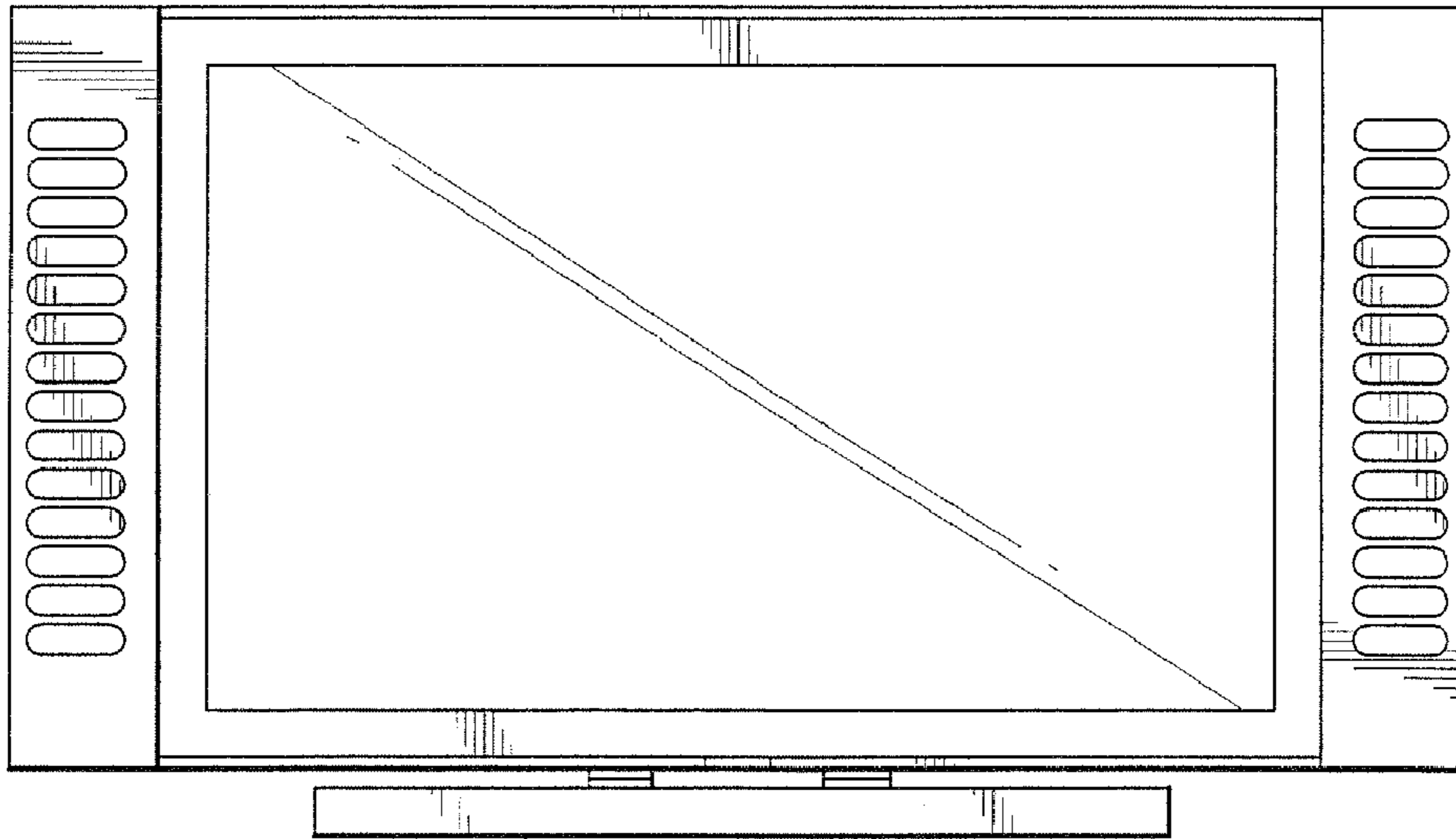


FIG. 2

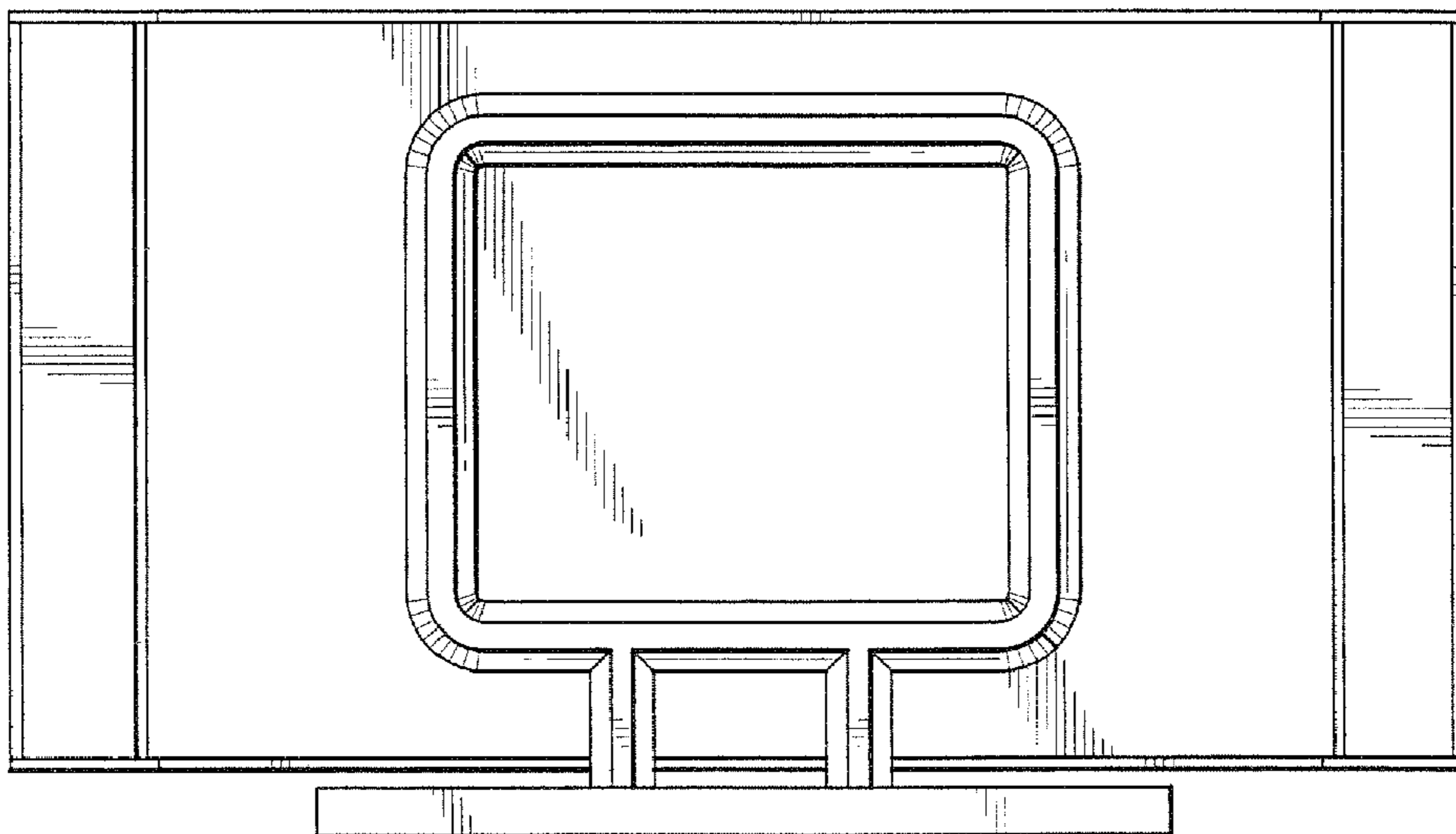


FIG. 3

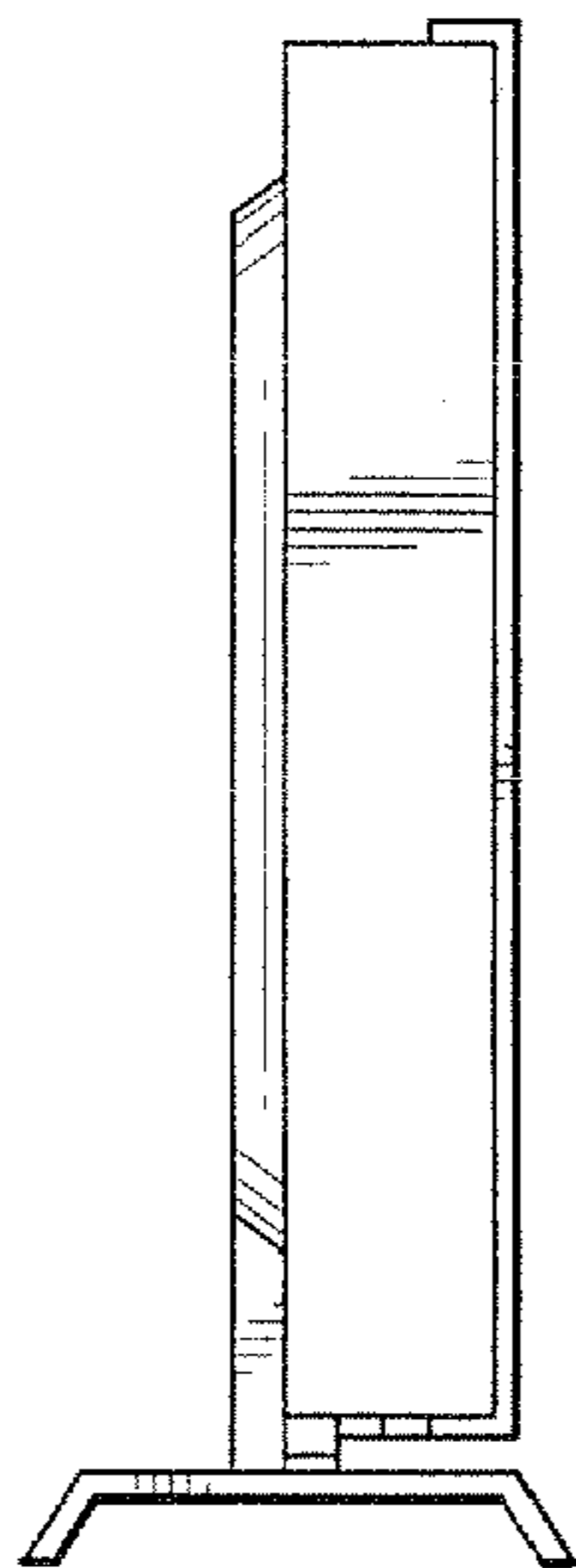


FIG. 4

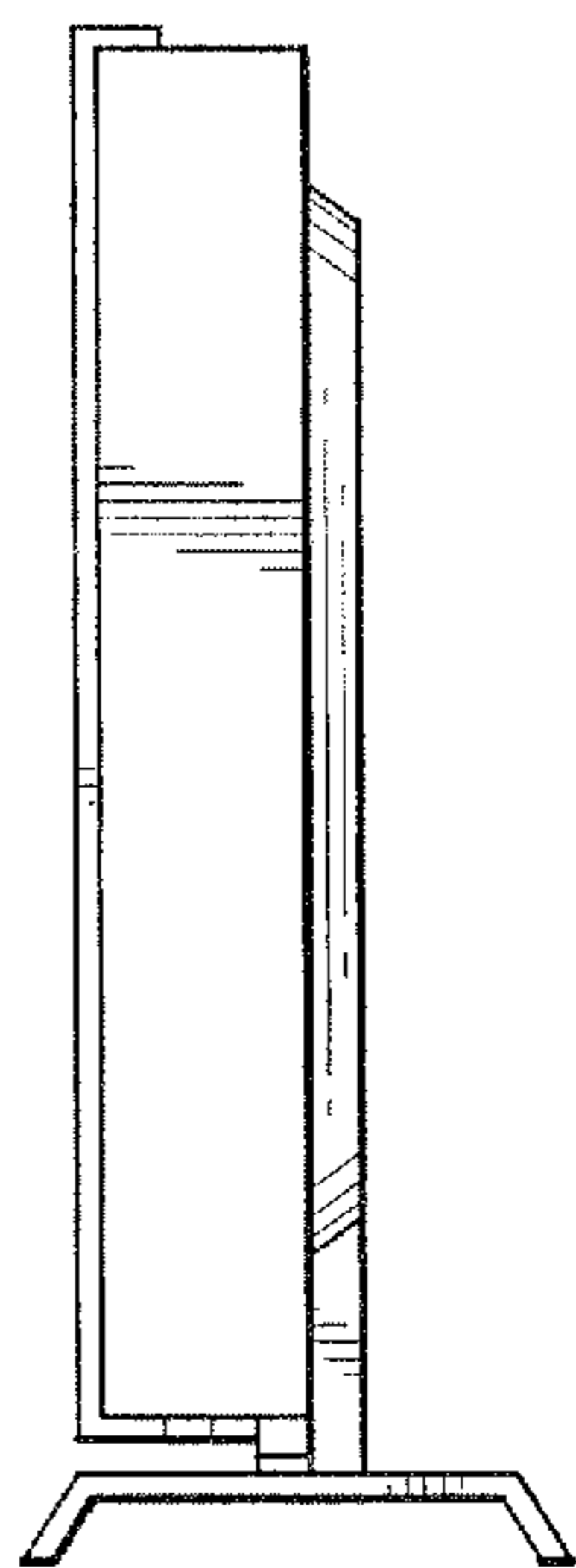


FIG. 5

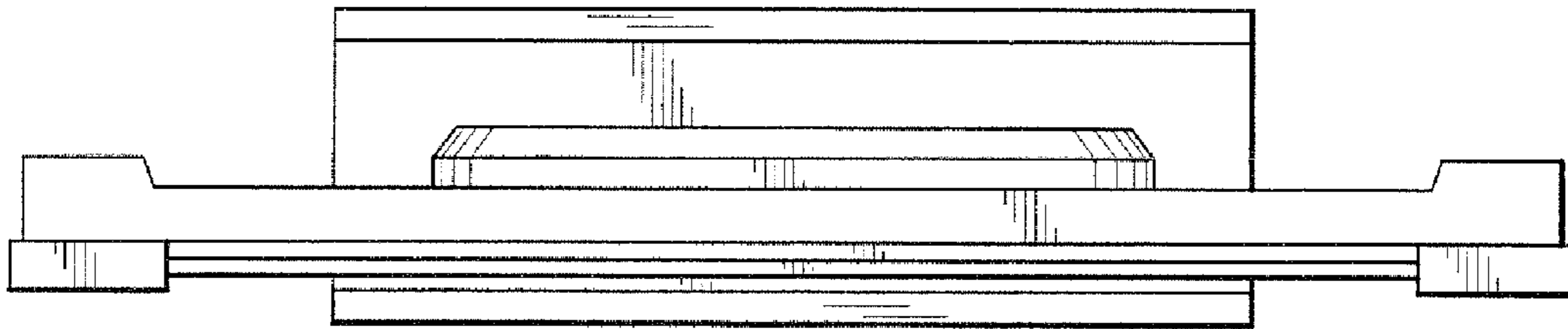


FIG. 6

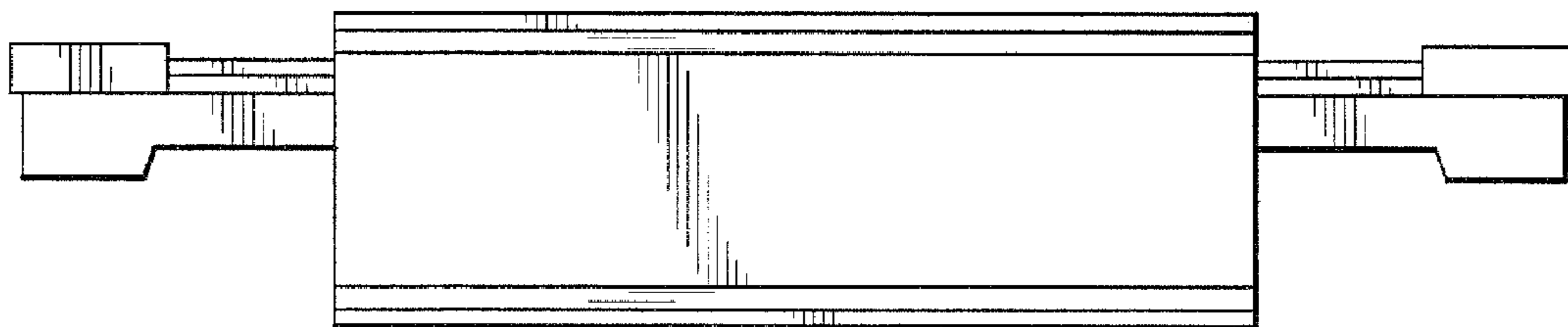


FIG. 7