



US00D561710S

(12) **United States Design Patent**
Lin

(10) **Patent No.:** **US D561,710 S**

(45) **Date of Patent:** **** Feb. 12, 2008**

(54) **HEAT SINK**

(75) Inventor: **Pei-Hsi Lin**, Taipei County (TW)

(73) Assignee: **Thermaltake Technology Co., Ltd.**
(TW)

(**) Term: **14 Years**

(21) Appl. No.: **29/275,646**

(22) Filed: **Jan. 3, 2007**

(51) **LOC (8) Cl.** **13-03**

(52) **U.S. Cl.** **D13/179**

(58) **Field of Classification Search** D13/179;
165/80.3, 104.33, 151, 122, 185; 257/706,
257/707, 718-722; 361/687, 695, 697, 700,
361/702, 704, 709, 710, 711, 719
See application file for complete search history.

(56) **References Cited**

U.S. PATENT DOCUMENTS

D426,195 S * 6/2000 Kuo D13/179
D426,814 S * 6/2000 Lee D13/179
6,289,975 B2 * 9/2001 Kuo 165/80.3

D458,232 S * 6/2002 Lee D13/179
6,883,592 B2 * 4/2005 Lee 165/80.3
2006/0028798 A1 * 2/2006 Wang 361/697
2007/0131389 A1 * 6/2007 Chen et al. 165/104.33

* cited by examiner

Primary Examiner—Selina Sikder

(74) *Attorney, Agent, or Firm*—Schmeiser, Olsen & Watts

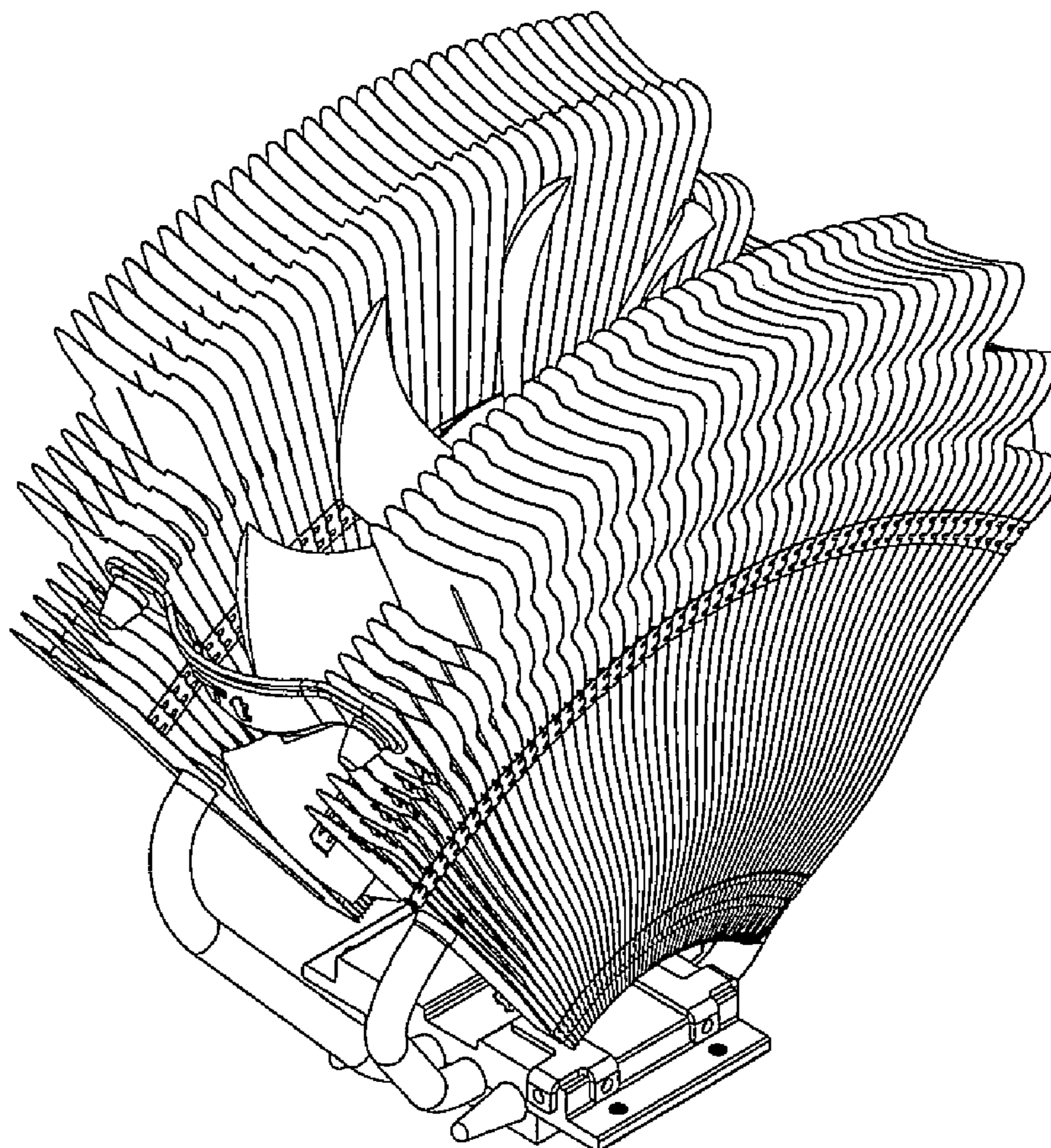
(57) **CLAIM**

The ornamental design for a heat sink, as shown and described.

DESCRIPTION

FIG. 1 is a perspective view of a heat sink;
FIG. 2 is a front elevation thereof;
FIG. 3 is a rear elevation thereof;
FIG. 4 is a left side elevation thereof;
FIG. 5 is a right side elevation thereof;
FIG. 6 is a top plan view thereof; and,
FIG. 7 is a bottom view thereof.

1 Claim, 4 Drawing Sheets



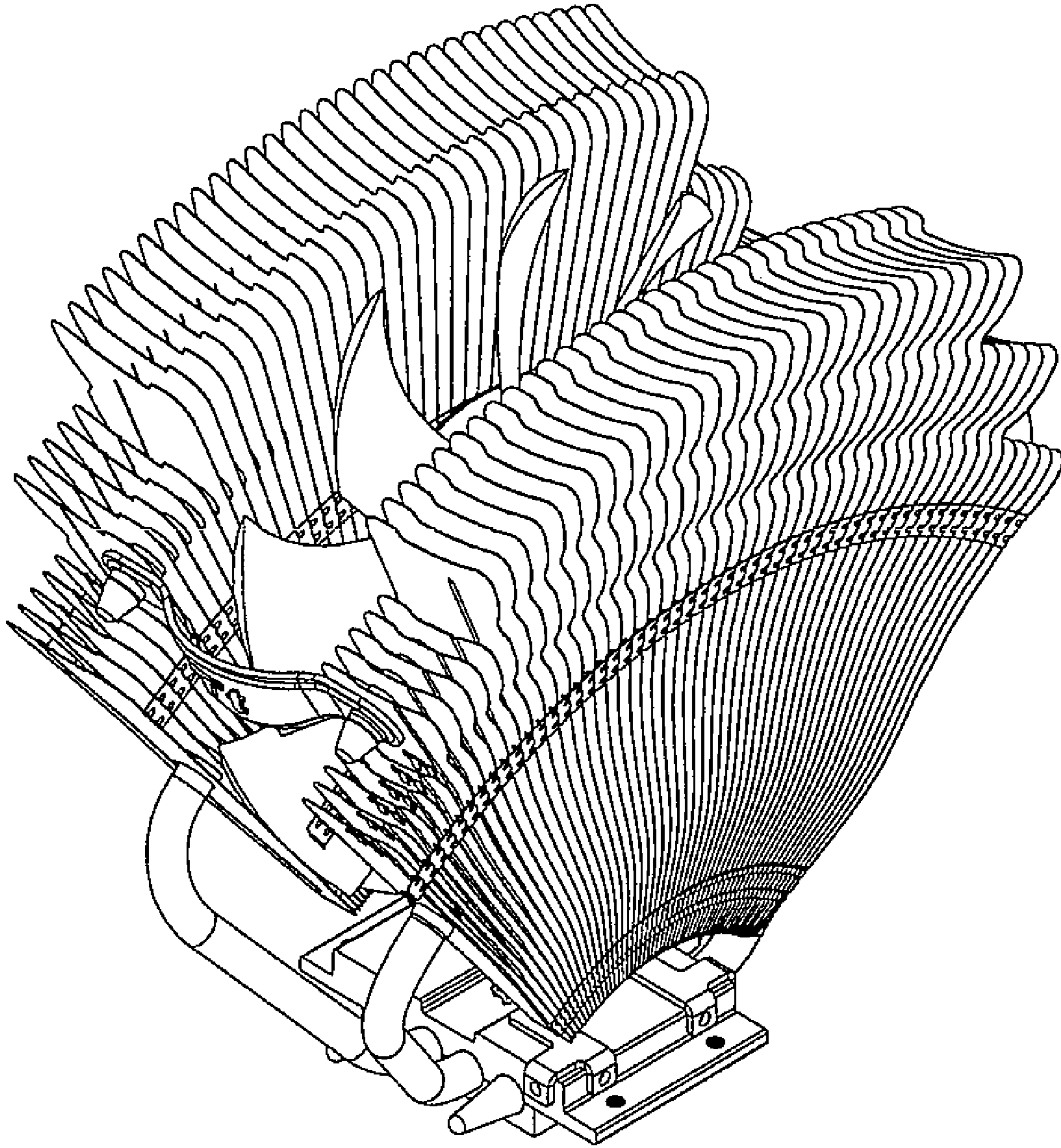


Fig. 1

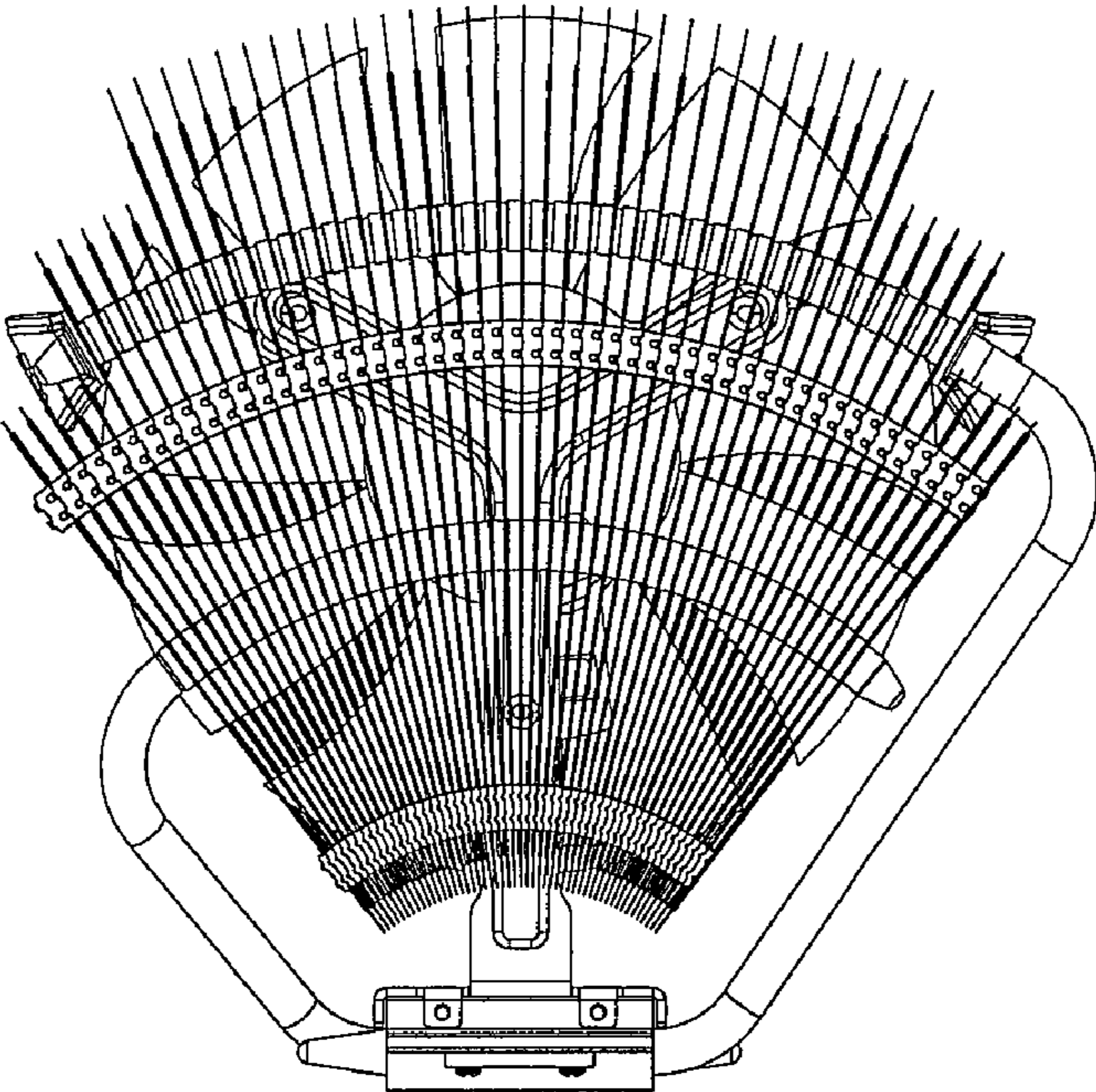


Fig. 2

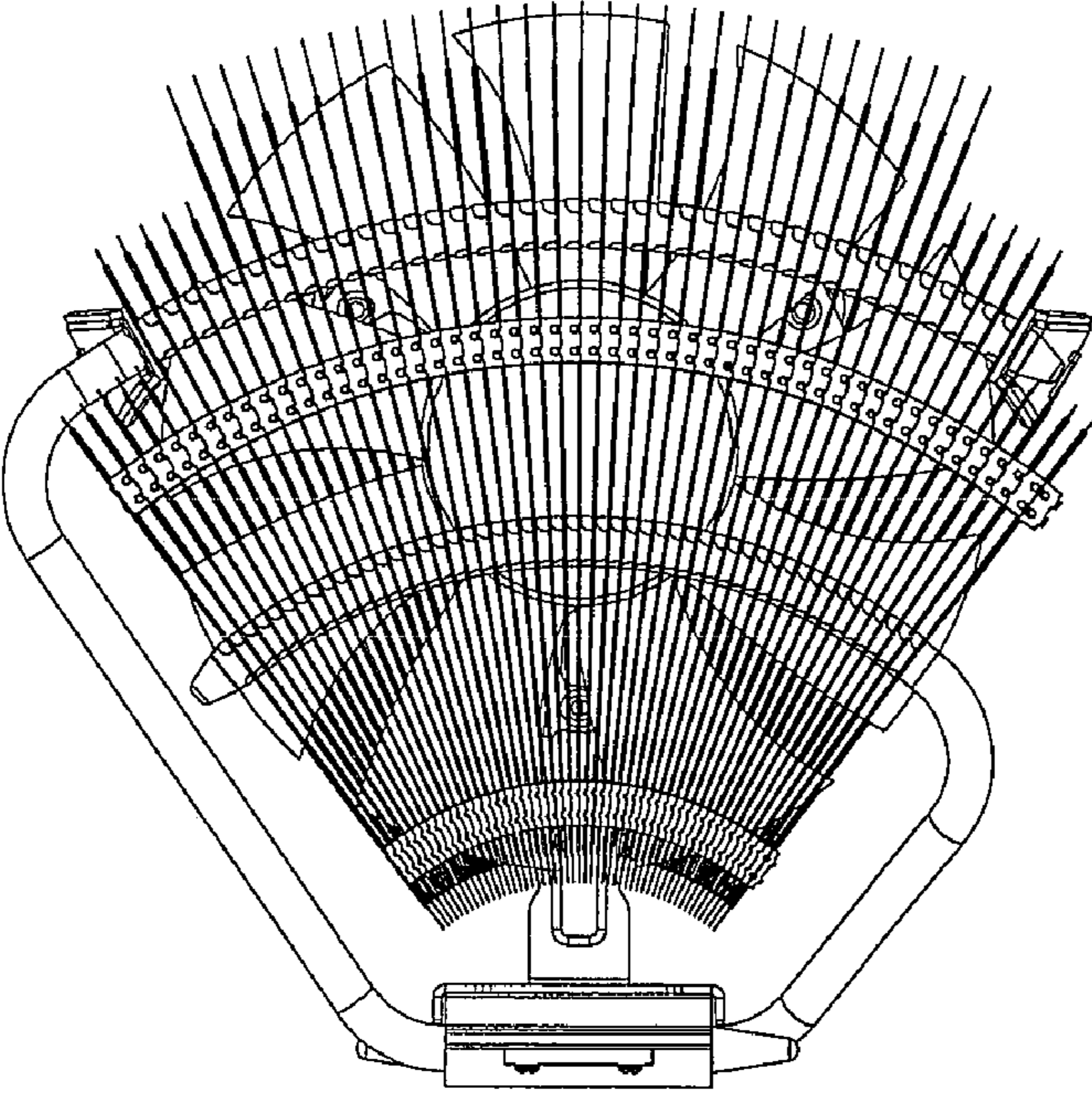


Fig. 3

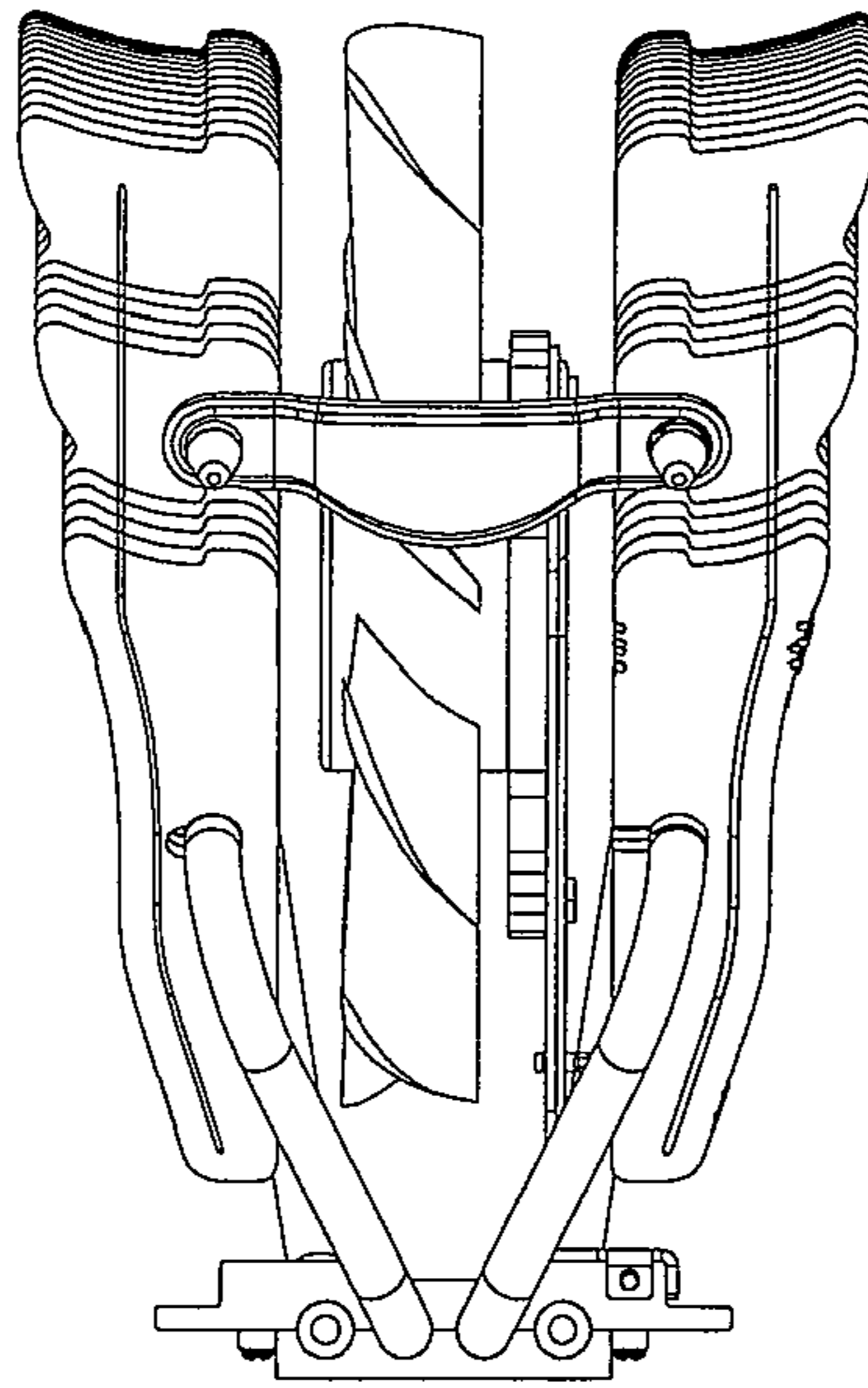


Fig. 4

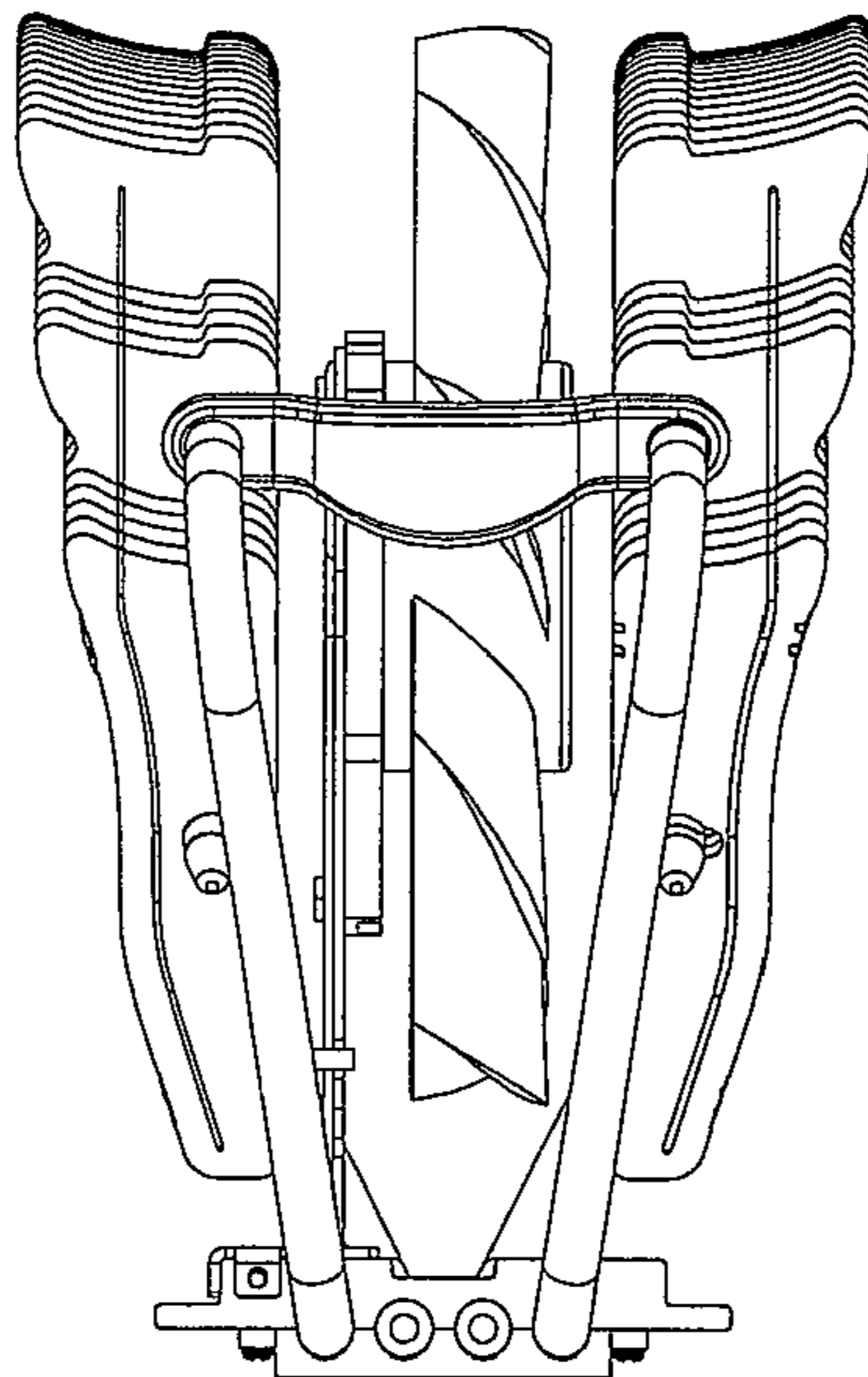


Fig. 5

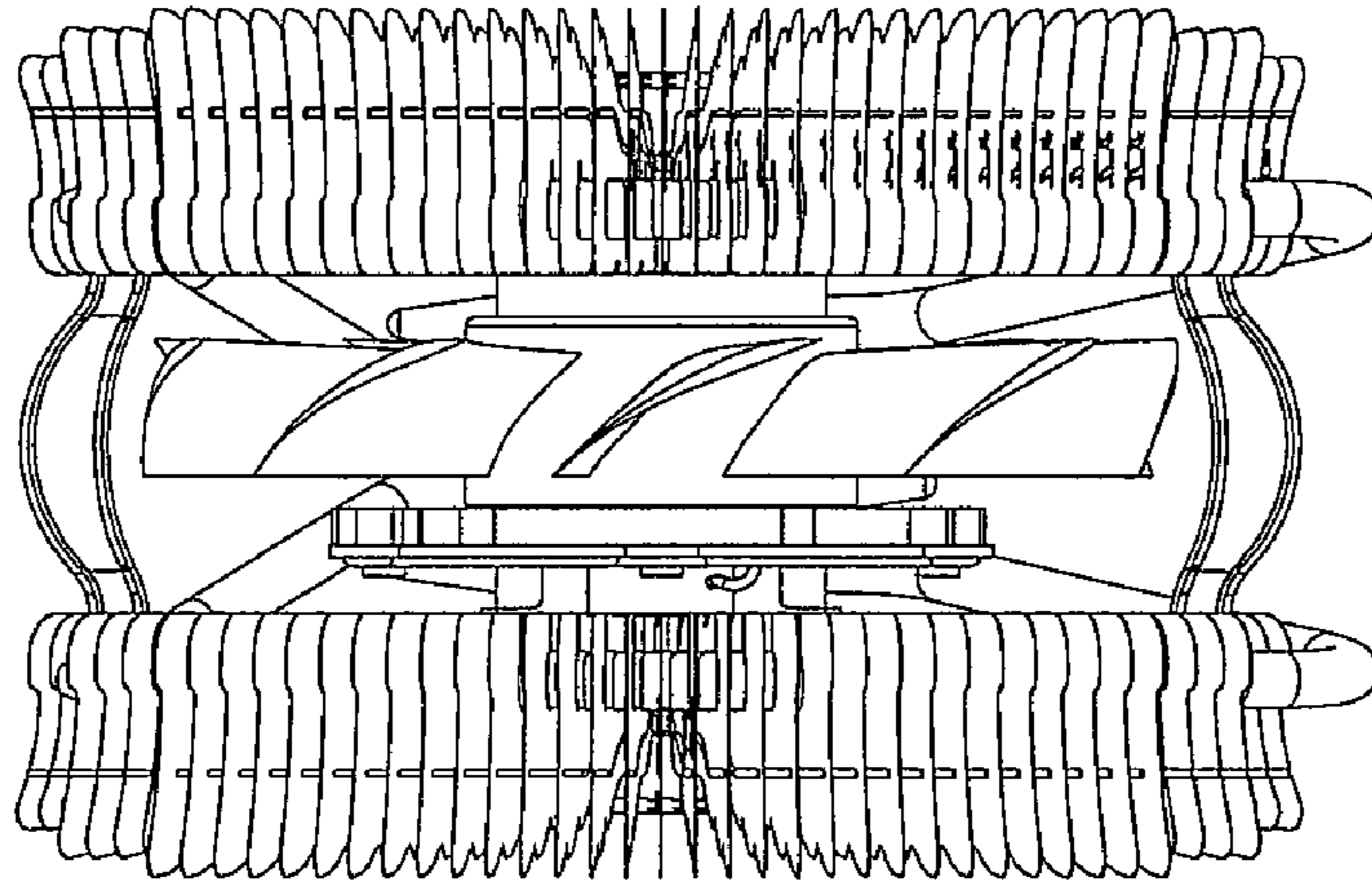


Fig. 6

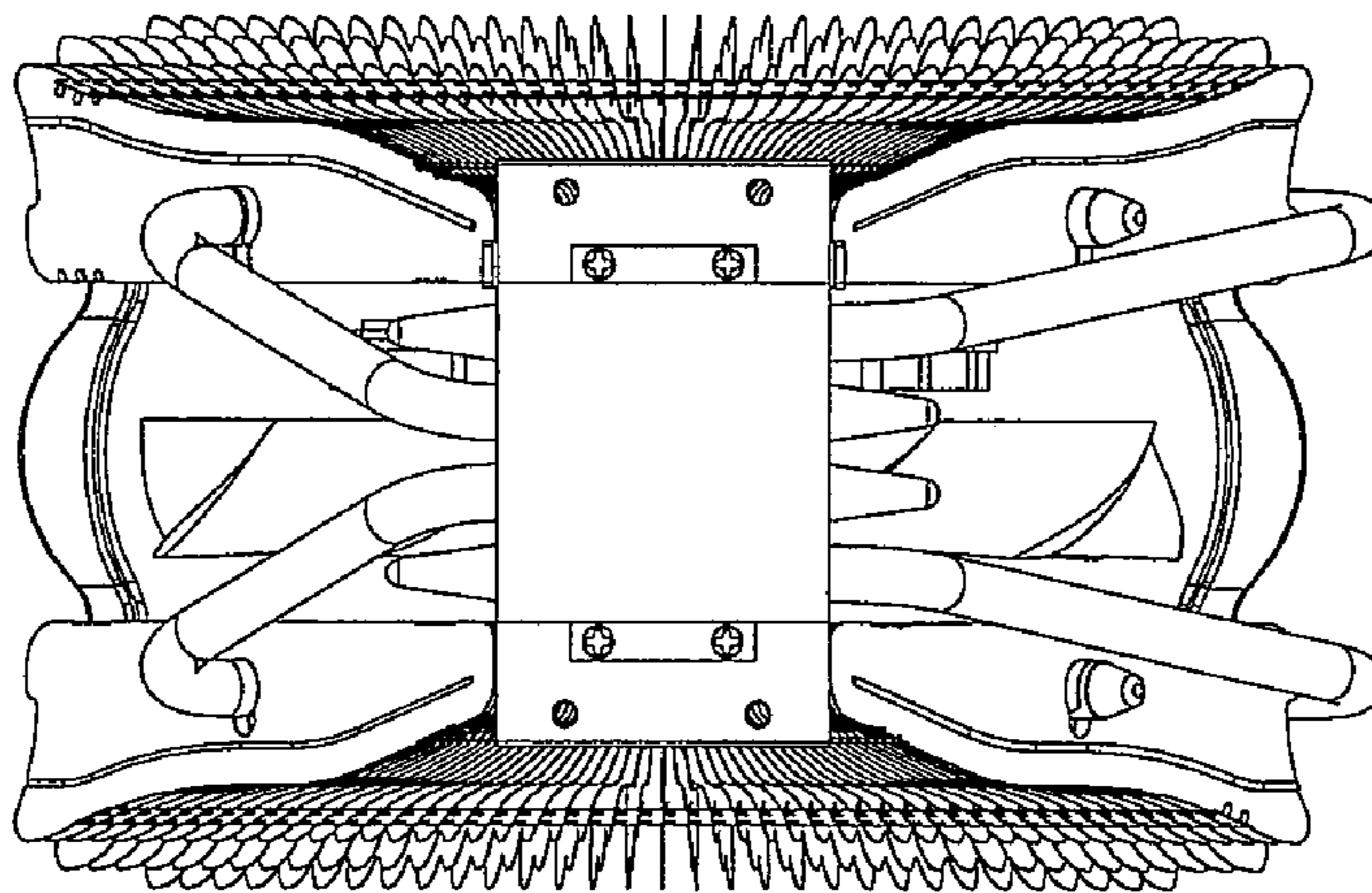


Fig. 7