

US00D561709S

(12) **United States Design Patent** (10) **Patent No.:** **US D561,709 S**
Watanabe et al. (45) **Date of Patent:** **** Feb. 12, 2008**

(54) **FAN**
 (75) Inventors: **Jiro Watanabe**, Nagano (JP); **Takahisa Toda**, Nagano (JP)
 (73) Assignee: **Sanyo Denki Co., Ltd.**, Tokyo (JP)
 (**) Term: **14 Years**
 (21) Appl. No.: **29/244,154**
 (22) Filed: **Dec. 6, 2005**

2004/2005 “Motor General Catalogue” issued by Japan Servo Co., Ltd. G-32 page.
 Product catalogue for “airmovers San Ace” issued by Sanyo Denki Co., Ltd. on May 2, 1998.
 Products information announced on the internet Website of Sanyo Denki Co., Ltd. dated Feb. 15, 2005 (http://www.sanyodenki.co.jp/release/20050215_e.html).

Primary Examiner—Selina Sikder
 (74) *Attorney, Agent, or Firm*—Rankin, Hill, Porter & Clark LLP

(30) **Foreign Application Priority Data**
 Jun. 6, 2005 (JP) 2005-016375
 (51) **LOC (8) Cl.** **13-03**
 (52) **U.S. Cl.** **D13/179; D23/370**
 (58) **Field of Classification Search** D13/179;
 165/80.3, 104.33, 151, 122, 185; 257/706,
 257/707, 718–722; 361/687, 695, 697, 700,
 361/702, 704, 709, 710, 711, 719; D23/370;
 415/176, 211.2
 See application file for complete search history.

(57) **CLAIM**
 The ornamental design for a fan, as shown and described.

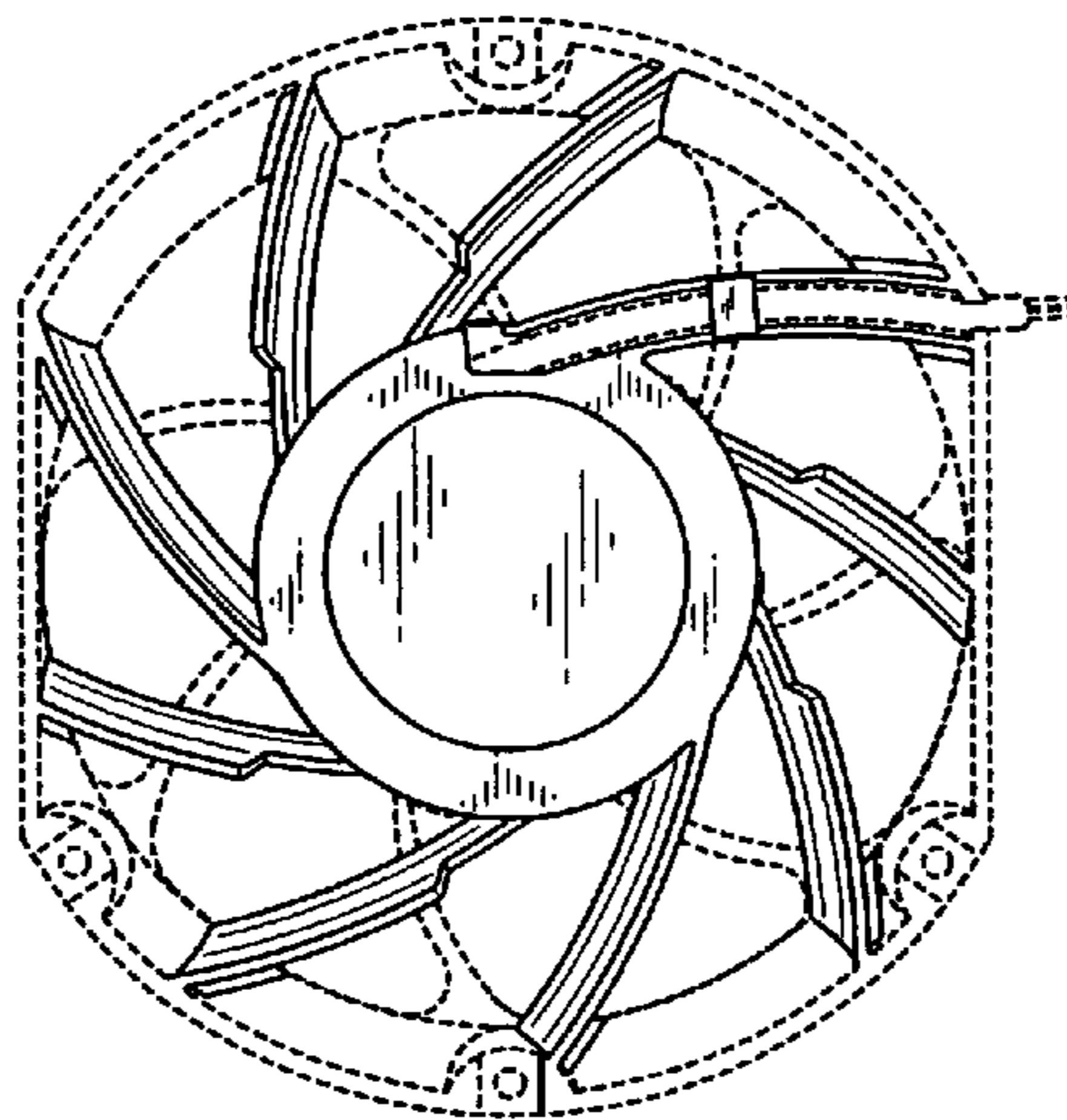
(56) **References Cited**
 U.S. PATENT DOCUMENTS
 6,671,172 B2 * 12/2003 Carter et al. 361/697
 D487,800 S 3/2004 Chen et al.

DESCRIPTION
 FIG. 1 is a front side elevation view of a fan.
 FIG. 2 is a rear side elevation view.
 FIG. 3 is a right side elevation view.
 FIG. 4 is a left side elevation view.
 FIG. 5 is a top plan view.
 FIG. 6 is a bottom plan view.
 FIG. 7 is a front side elevation view for reference.
 FIG. 8 is a cross sectional view taken along 8—8 line in FIG. 3, omitting the lead wires.
 FIG. 9 is a cross sectional view taken along 9—9 line in FIG. 3, omitting the interior mechanism of a motor.
 FIG. 10 is a cross sectional view as taken along 10—10 line in FIG. 7, omitting the interior mechanism of a motor.
 FIG. 11 is a cross sectional view as taken along 11—11 line in FIG. 7, omitting the interior mechanism of a motor; and,
 FIG. 12 is a perspective view for reference.
 The broken lines throughout the drawing figures are included for the purpose of illustrating portions of the fan that form no part of the claimed design.

(Continued)
 FOREIGN PATENT DOCUMENTS
 TW 518181 1/2003
 TW 533010 5/2003
 TW 568717 12/2003
 TW 101679 1 12/2004
 TW 101857 12/2004
 TW 102476 1/2005
 TW 101679 4 2/2005
 TW 101679 5 2/2005

OTHER PUBLICATIONS
 Product catalogue for “airmovers San Ace” issued by Sanyo Denki Co., Ltd. on Jun. 3, 1977.

1 Claim, 6 Drawing Sheets



US D561,709 S

Page 2

U.S. PATENT DOCUMENTS

D492,986 S	7/2004	Chiu et al.			
D501,450 S *	2/2005	Watanabe et al.	D13/179		
6,860,323 B2 *	3/2005	Cheng	165/121		
D506,540 S	6/2005	Chiu et al.			
				D507,637 S	7/2005 Chiu et al.
				D507,638 S	7/2005 Chiu et al.
				D509,485 S *	9/2005 Mochizuki et al. D13/179
				2005/0056399 A1 *	3/2005 Ku et al. 165/80.3

* cited by examiner

FIG.1

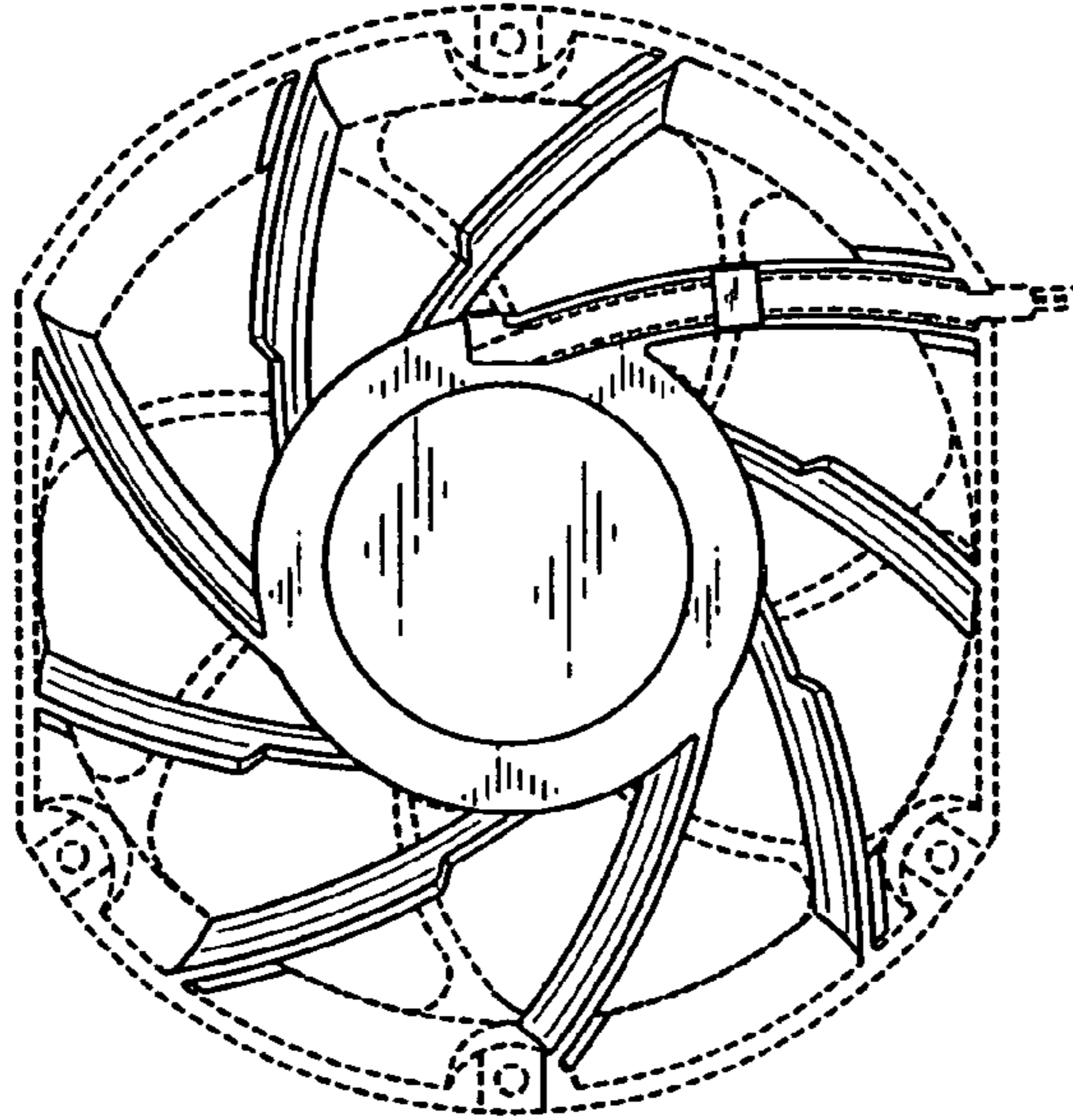


FIG.2

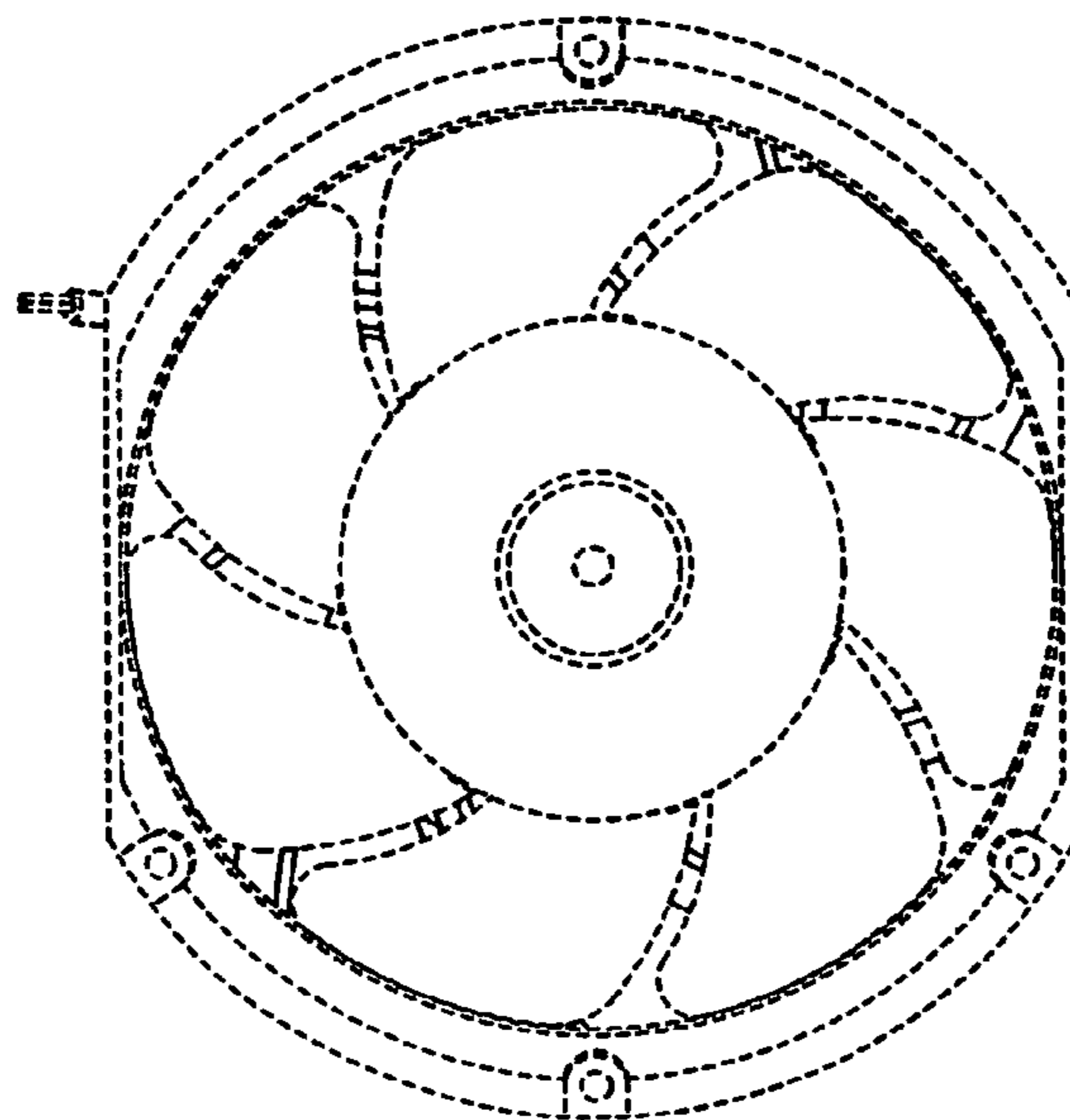


FIG.3

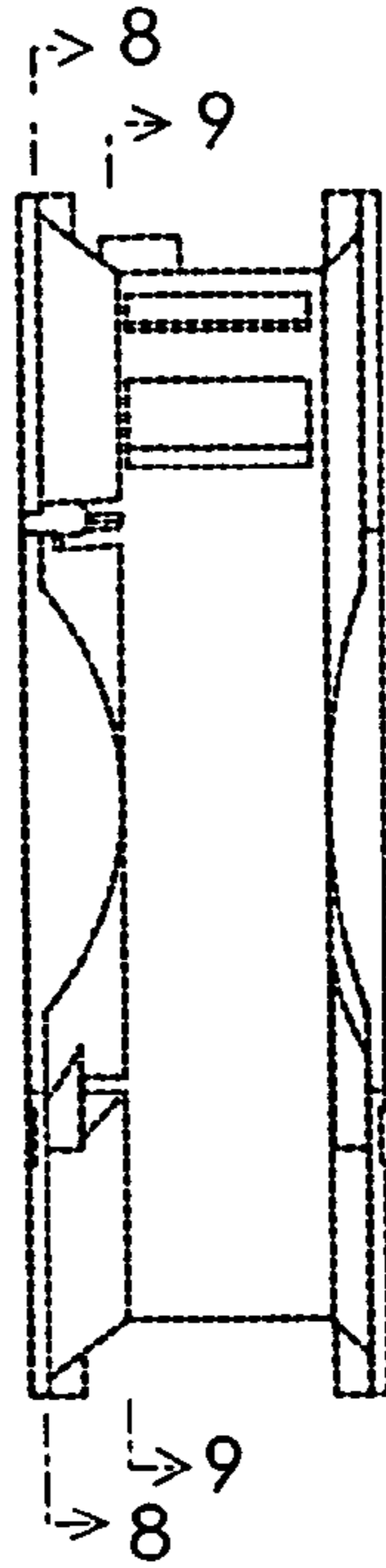


FIG.4

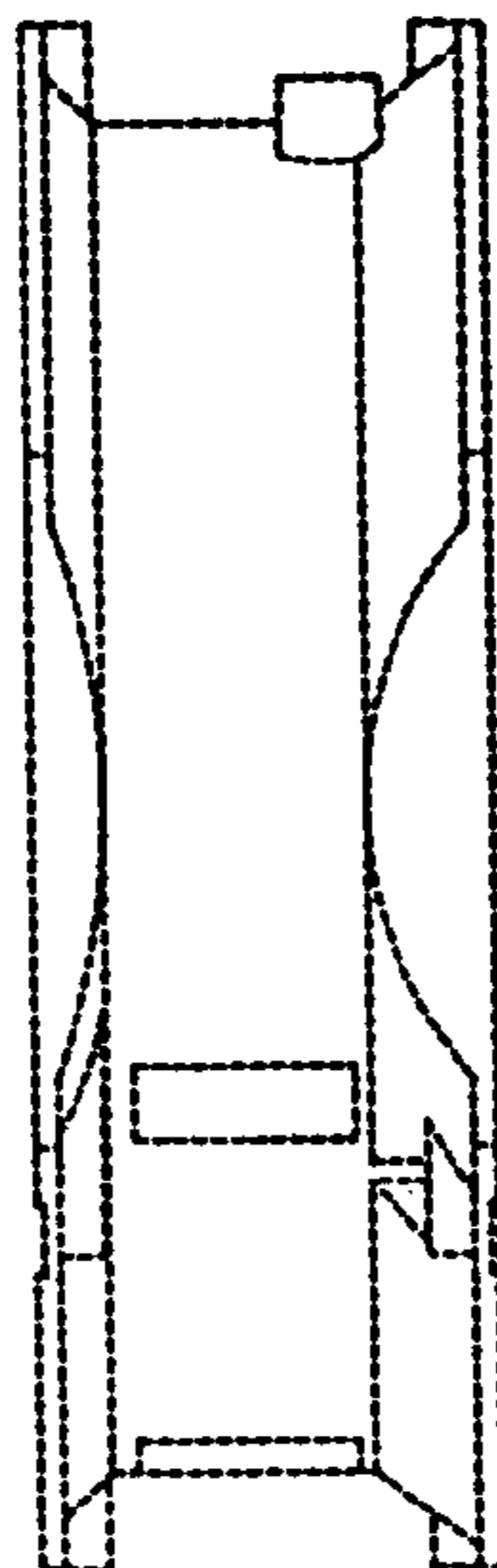


FIG.5

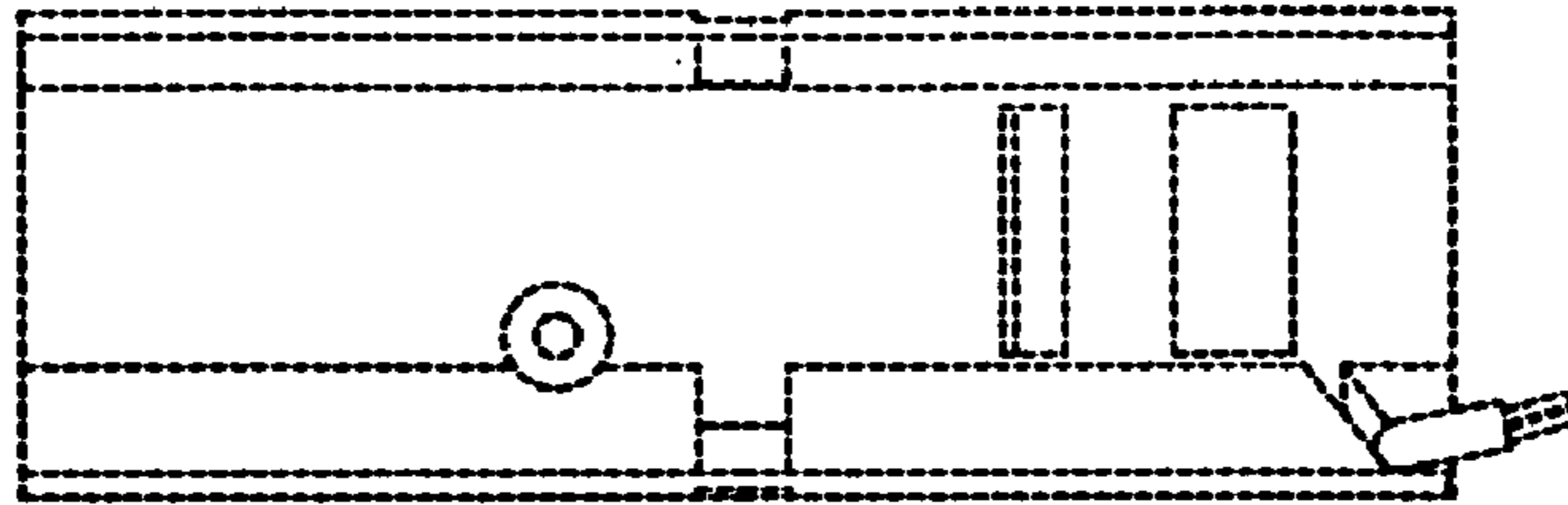


FIG.6

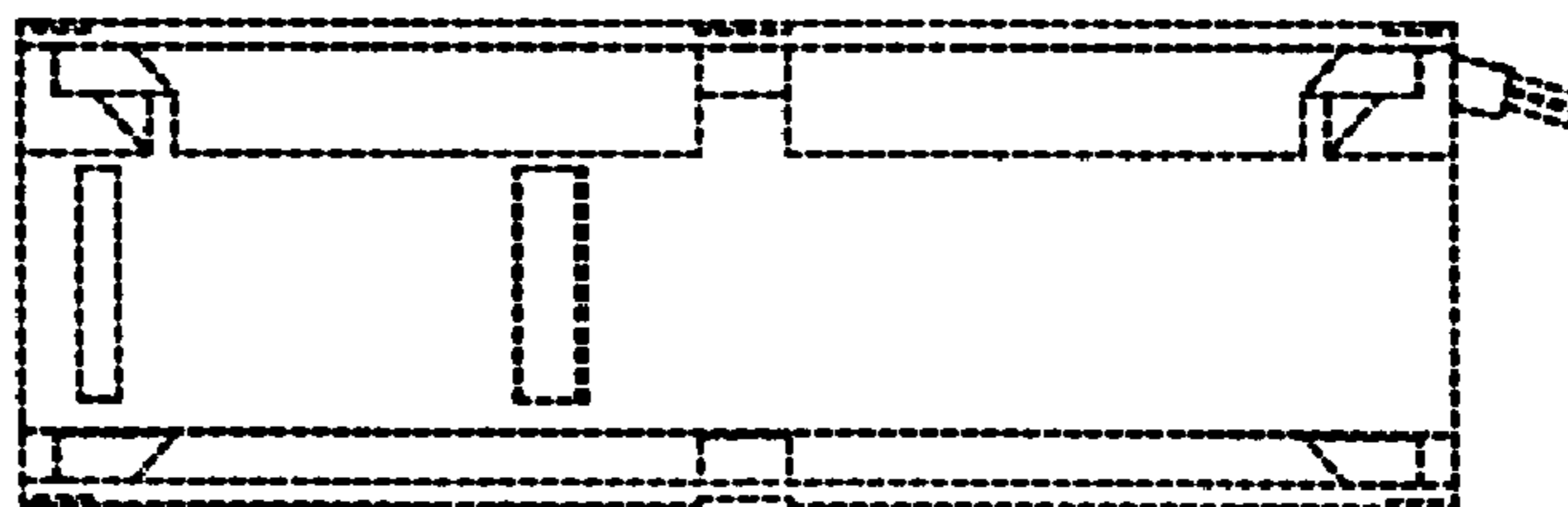


FIG.7

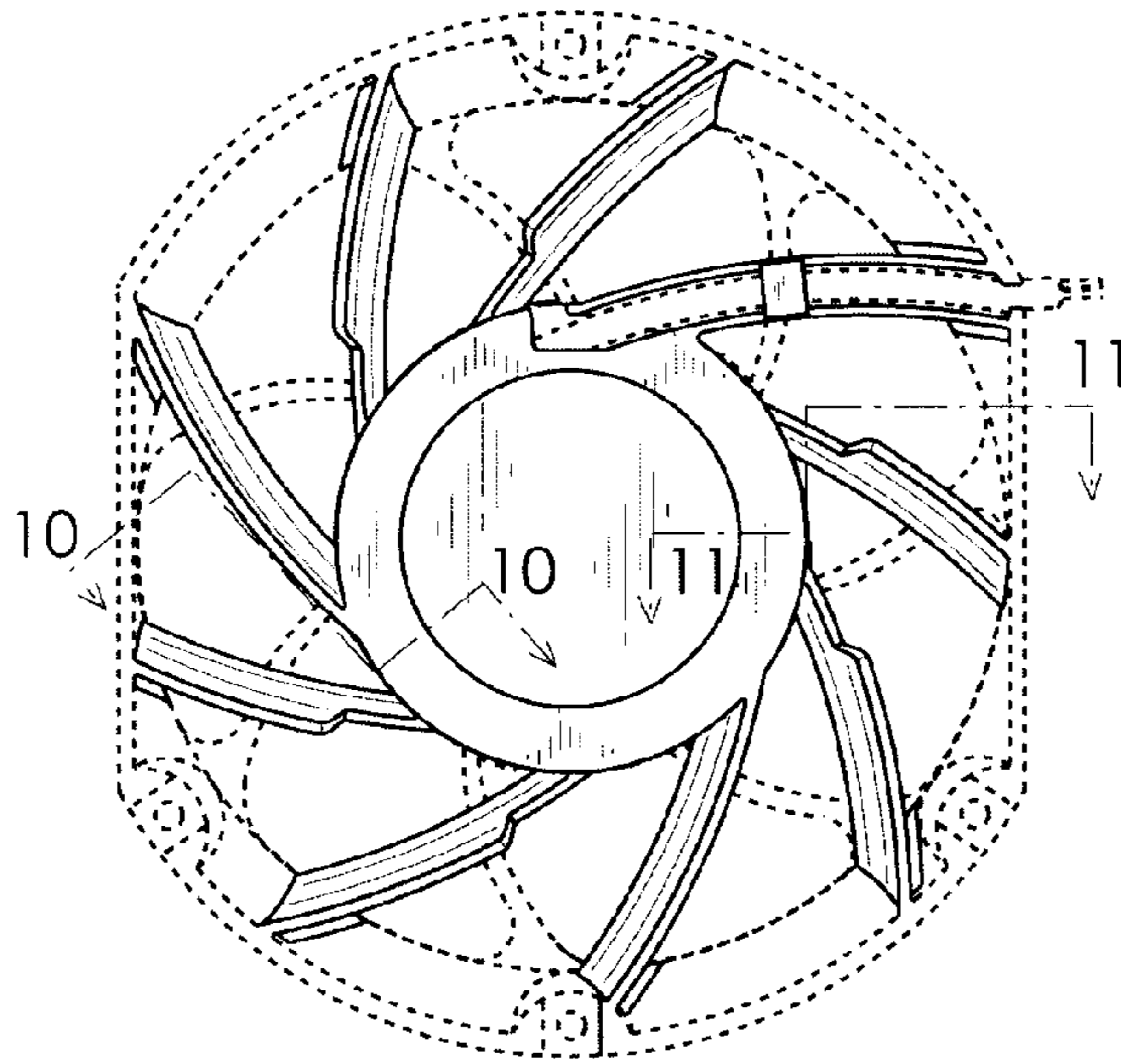


FIG.8

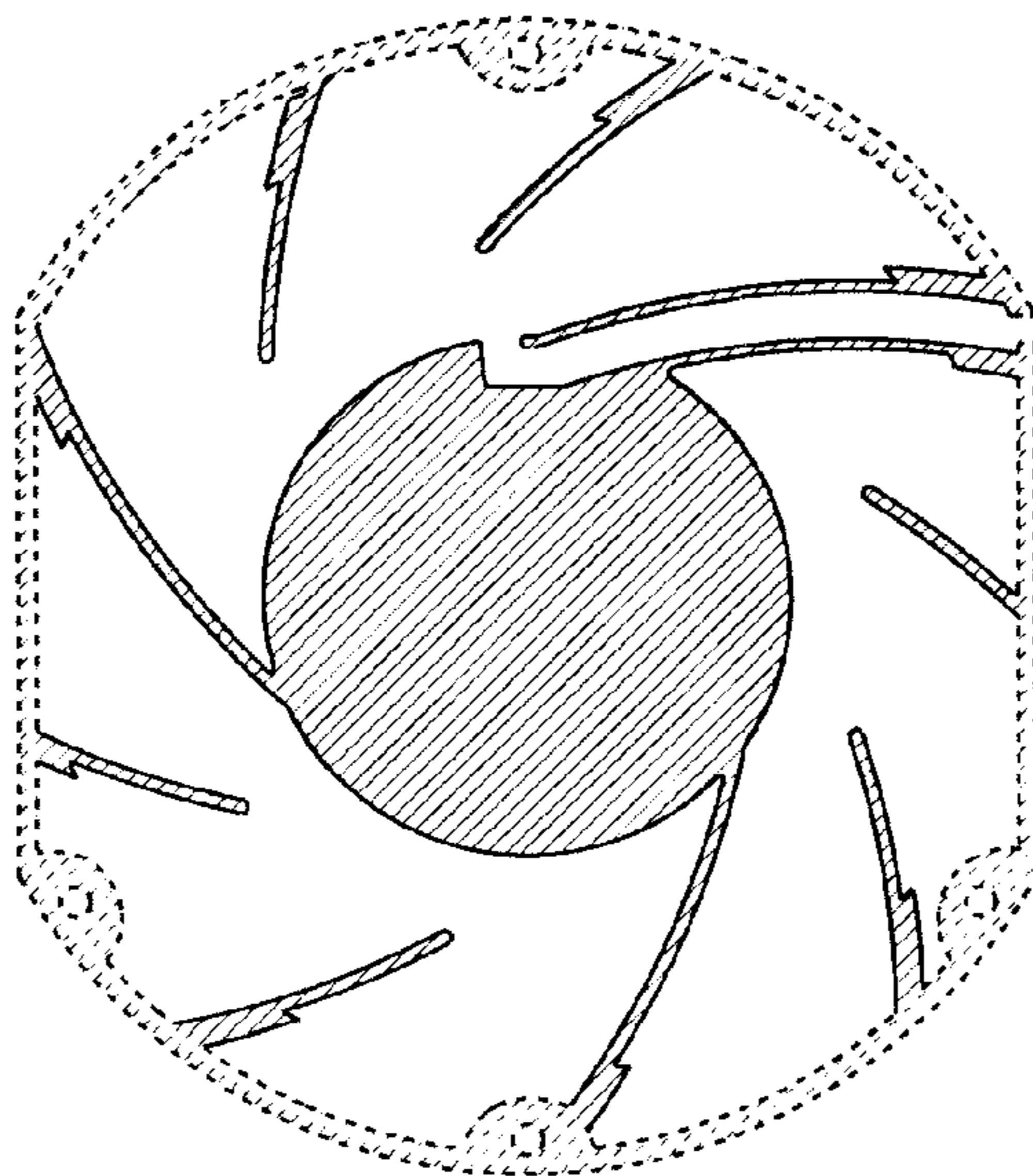


FIG.9

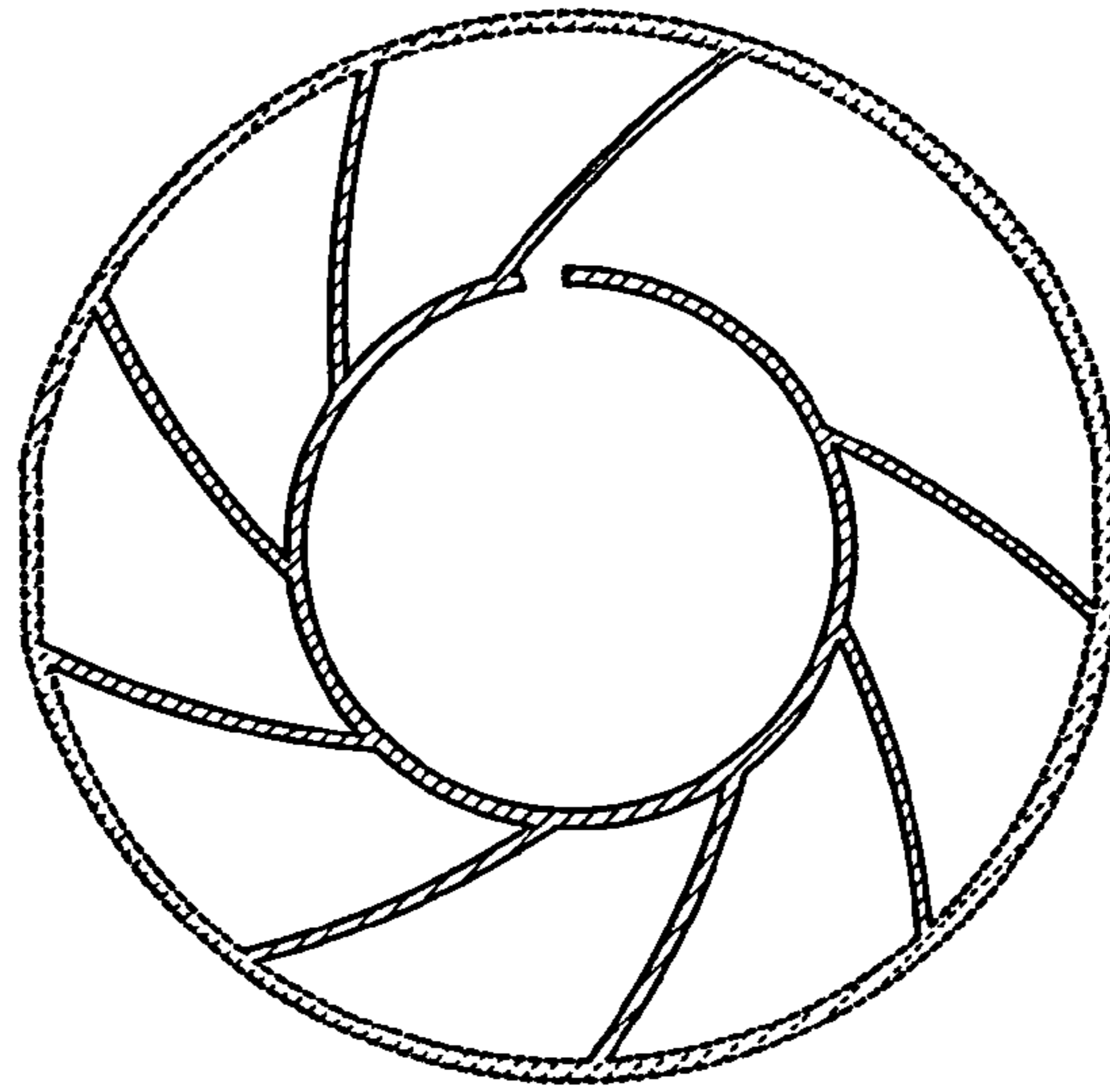


FIG.10

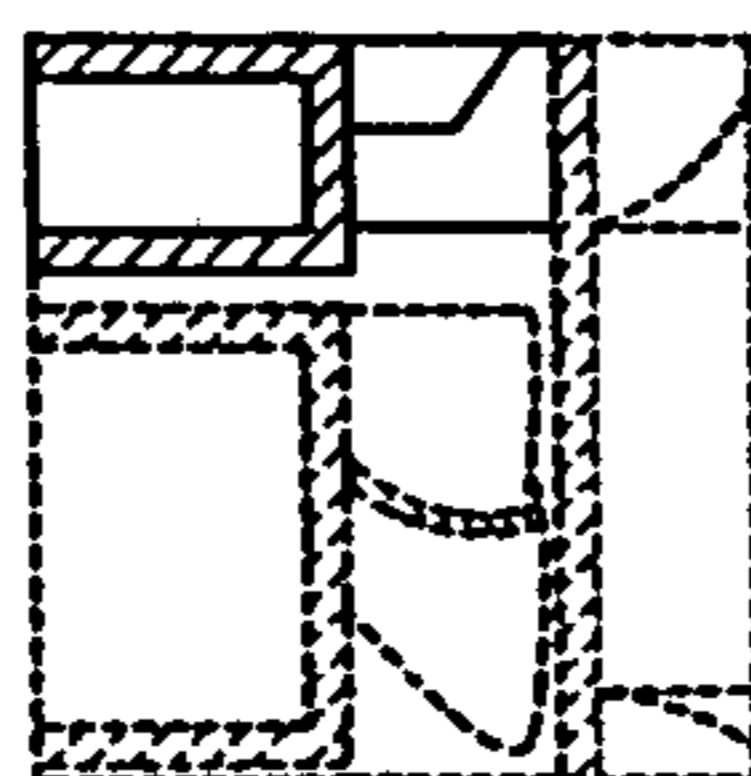


FIG.11

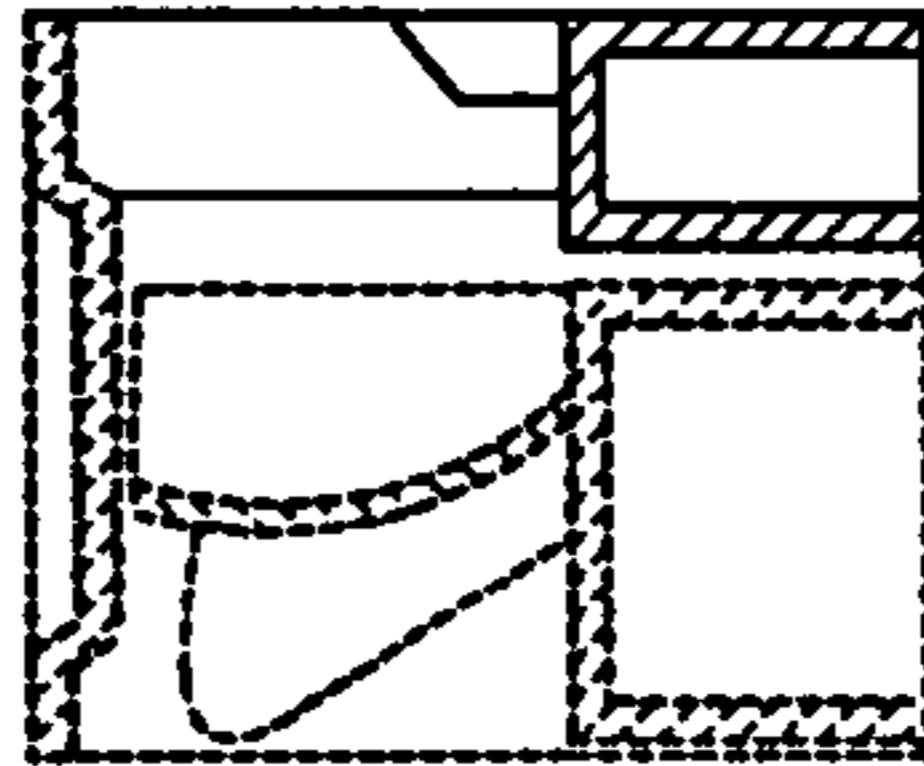


FIG.12

