

US00D561708S

(12) **United States Design Patent**  
**Anzai**

(10) **Patent No.:** **US D561,708 S**

(45) **Date of Patent:** **\*\* Feb. 12, 2008**

(54) **JACK PLATE**

(75) Inventor: **Masahiro Anzai**, Tokyo (JP)

(73) Assignee: **JALCO Co., Ltd.**, Tokyo (JP)

(\*\*) Term: **14 Years**

(21) Appl. No.: **29/243,309**

(22) Filed: **Nov. 23, 2005**

(30) **Foreign Application Priority Data**

May 27, 2005 (JP) ..... 2005-018270

(51) **LOC (8) Cl.** ..... **13-03**

(52) **U.S. Cl.** ..... **D13/177**

(58) **Field of Classification Search** ..... D13/133,  
D13/146, 147, 158-177, 184; 439/188

See application file for complete search history.

(56) **References Cited**

**U.S. PATENT DOCUMENTS**

|                |         |                    |         |
|----------------|---------|--------------------|---------|
| D389,122 S *   | 1/1998  | Foye .....         | D13/147 |
| D434,726 S *   | 12/2000 | Middlehurst .....  | D13/147 |
| D458,901 S *   | 6/2002  | Larsen et al. .... | D13/147 |
| D459,700 S *   | 7/2002  | Larsen .....       | D13/147 |
| D460,045 S *   | 7/2002  | Larsen .....       | D13/147 |
| D460,418 S *   | 7/2002  | Han .....          | D13/147 |
| 6,419,523 B1 * | 7/2002  | Jones et al. ....  | 439/607 |

|                |         |                     |         |
|----------------|---------|---------------------|---------|
| D463,378 S *   | 9/2002  | Allada et al. ....  | D13/159 |
| 6,443,768 B1 * | 9/2002  | Dirkers et al. .... | 439/607 |
| D467,872 S *   | 12/2002 | Yeh .....           | D13/133 |
| D493,143 S *   | 7/2004  | Aldridge .....      | D13/147 |
| D508,677 S *   | 8/2005  | Chau et al. ....    | D13/146 |

\* cited by examiner

*Primary Examiner*—Selina Sikder

*Assistant Examiner*—Thomas J Johannes

(74) *Attorney, Agent, or Firm*—Duane Morris LLP

(57) **CLAIM**

The ornamental design for the jack plate, as shown and described.

**DESCRIPTION**

FIG. 1 is a front perspective view of the jack plate, showing my new design;

FIG. 2 is a rear perspective view of the jack plate;

FIG. 3 is a front view of the jack plate;

FIG. 4 is a right side view of the jack plate;

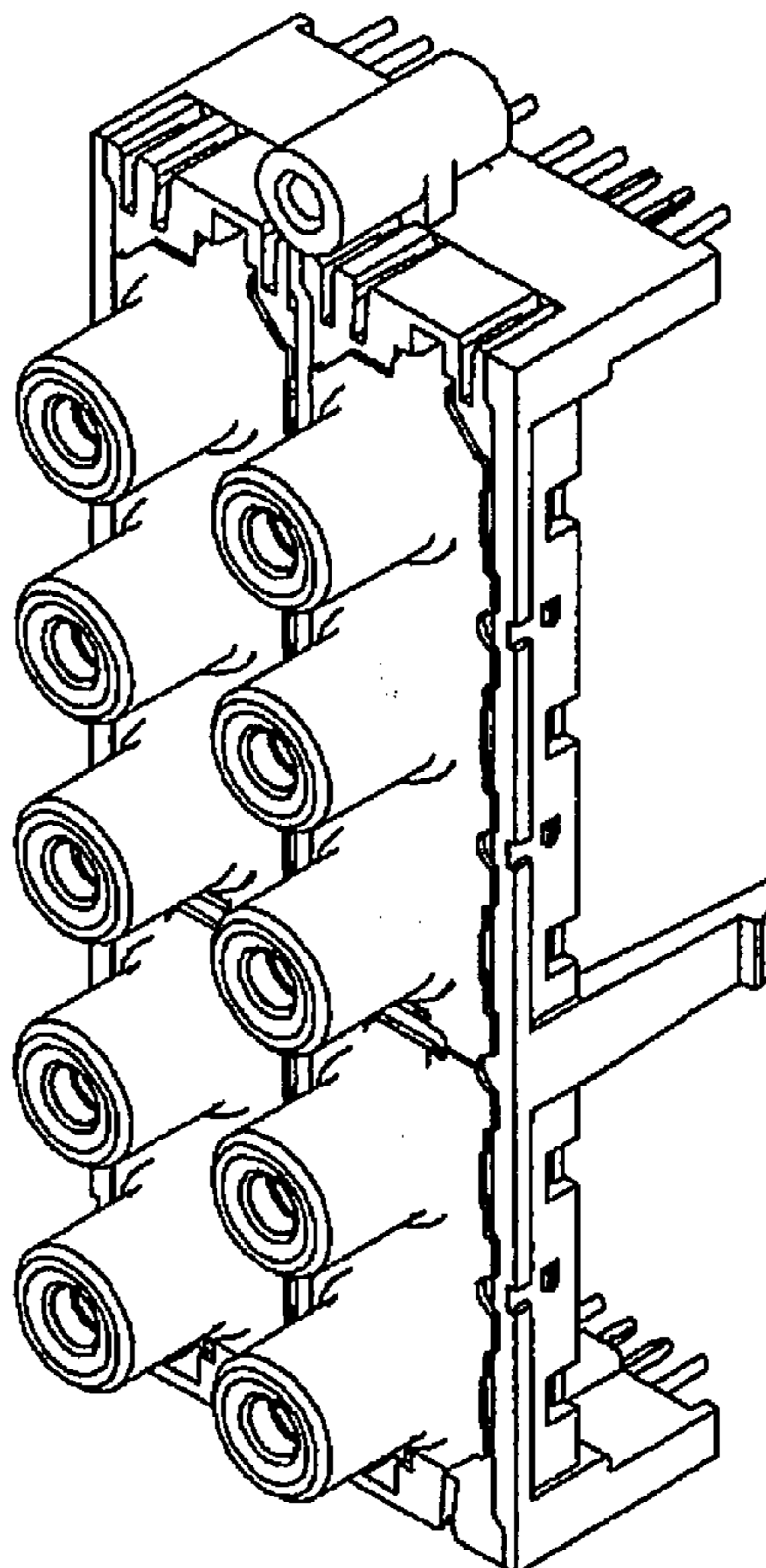
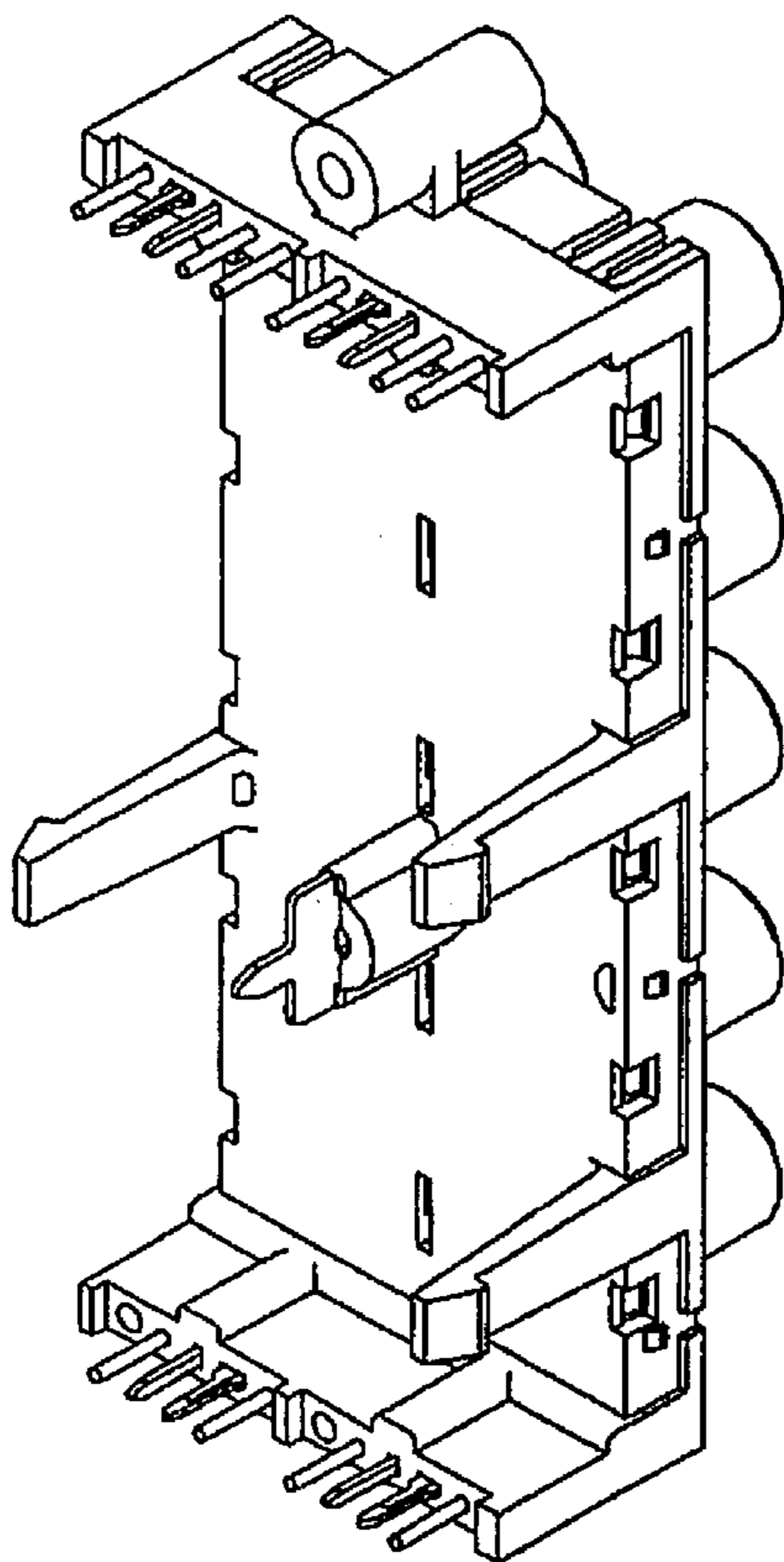
FIG. 5 is a left side view of the jack plate;

FIG. 6 is a top view of the jack plate;

FIG. 7 is a rear view of the jack plate; and,

FIG. 8 is a bottom view of the jack plate.

**1 Claim, 8 Drawing Sheets**



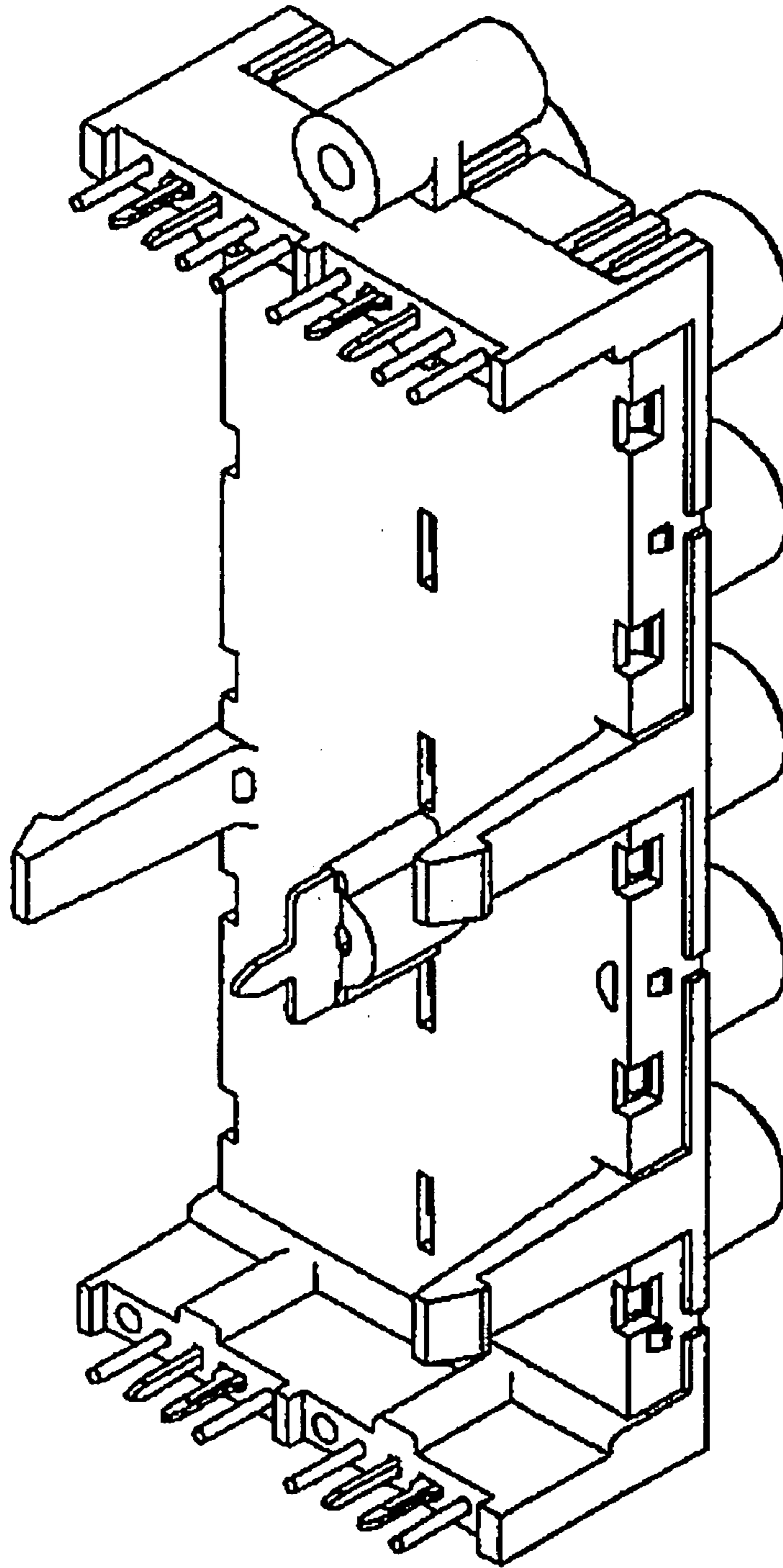


FIGURE 1

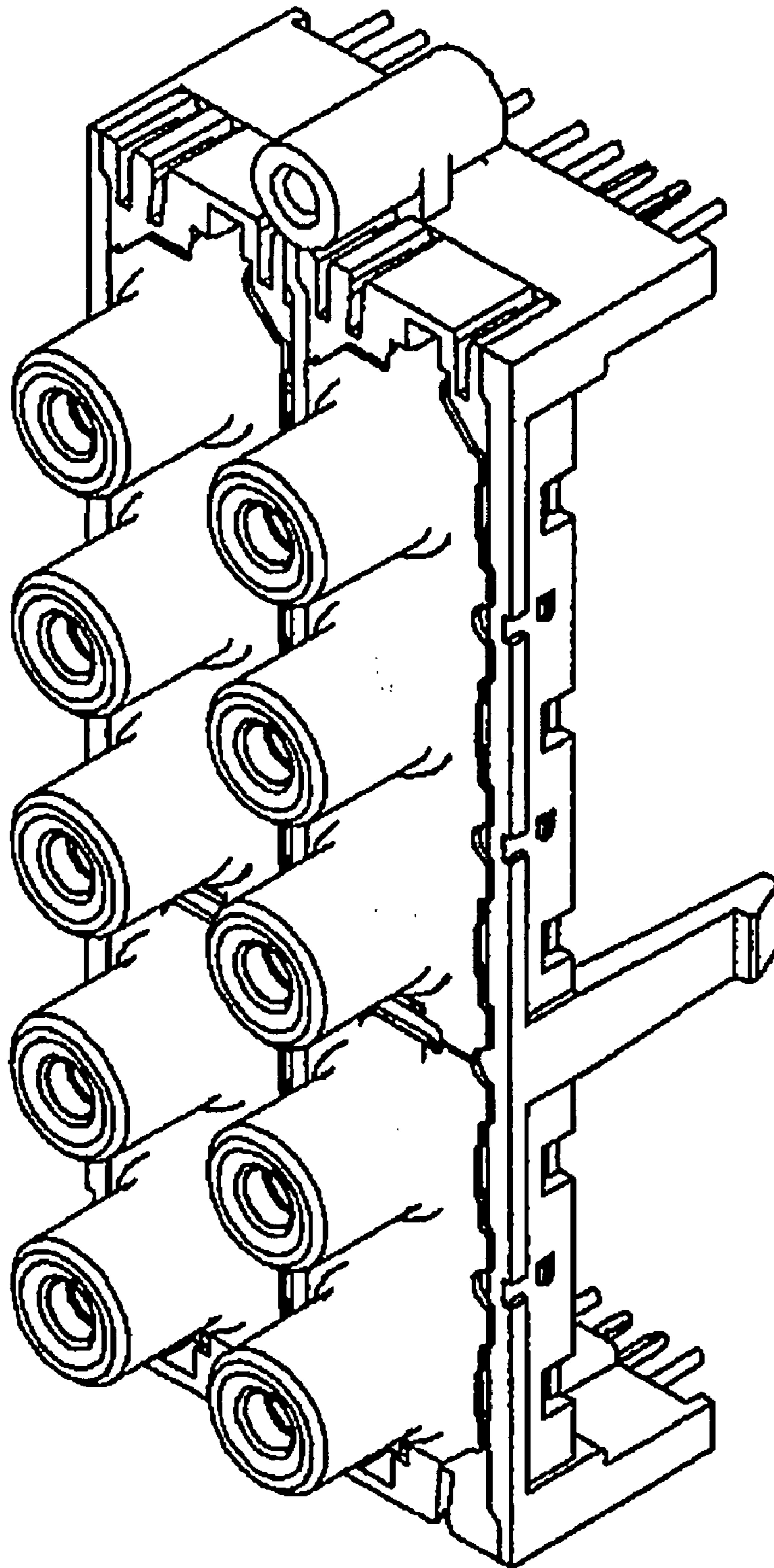


FIGURE 2

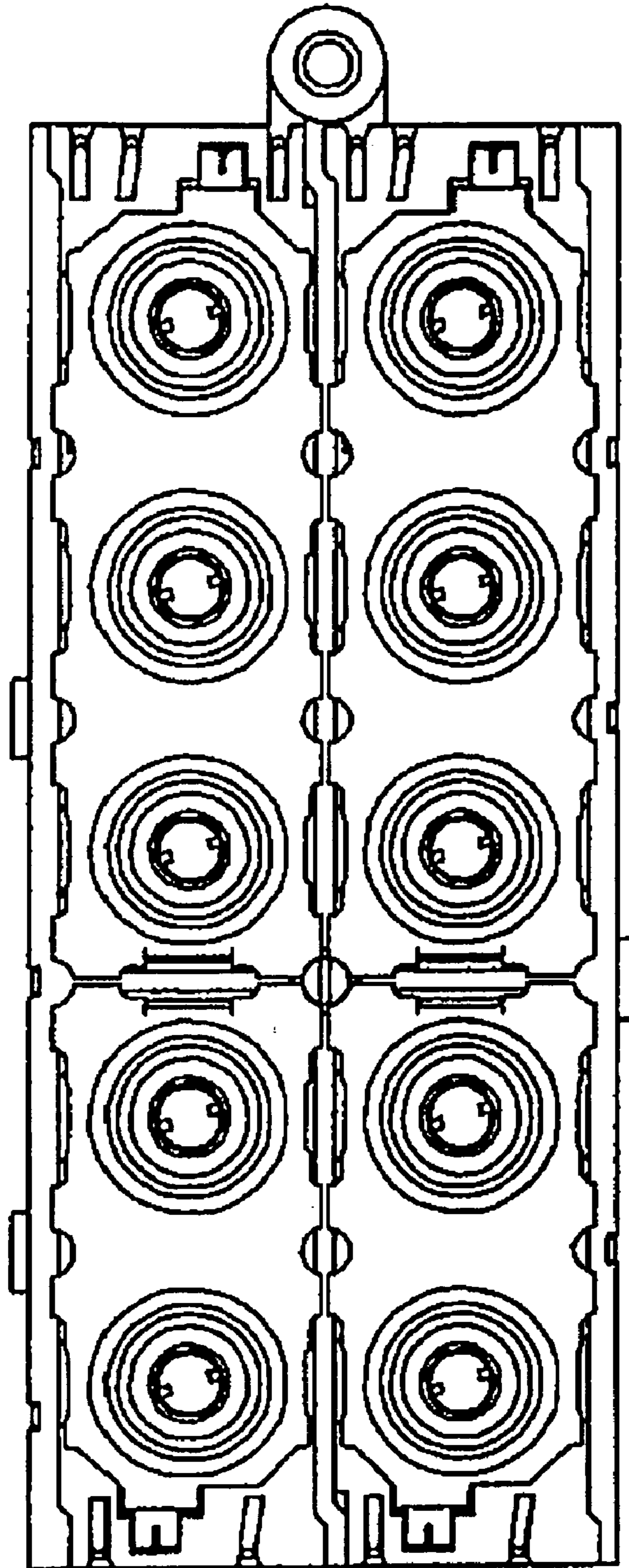


FIGURE 3

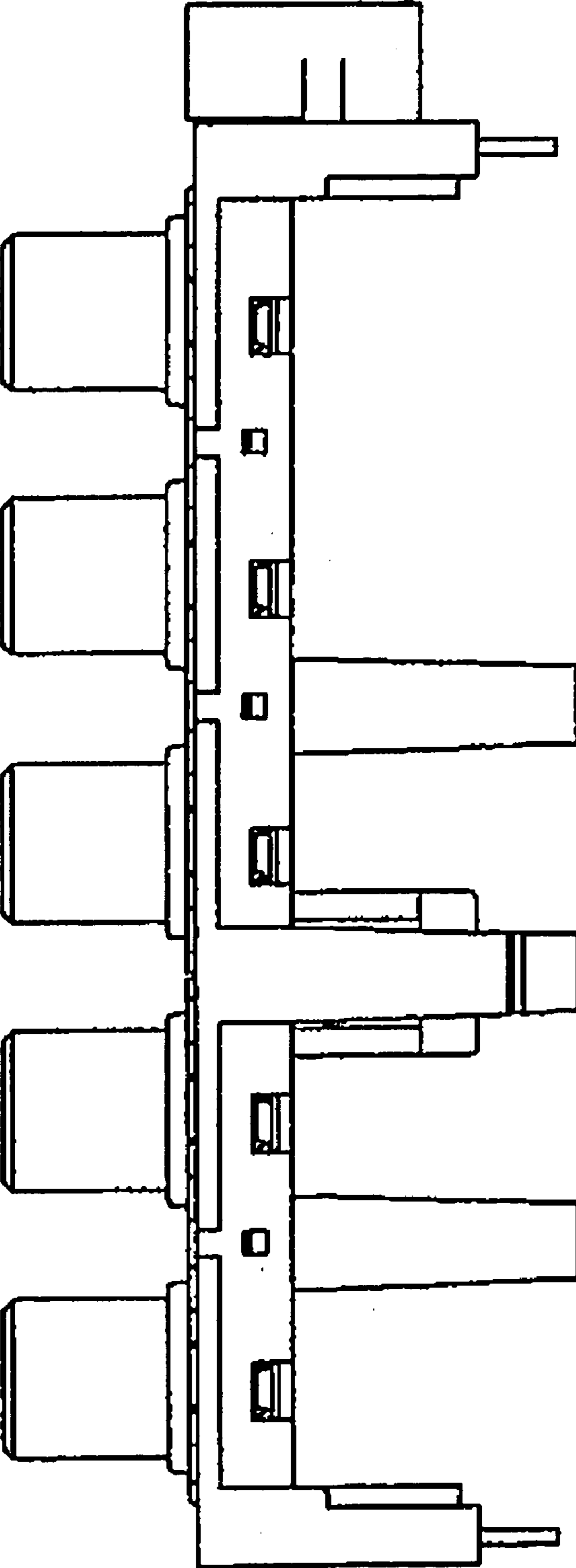


FIGURE 4

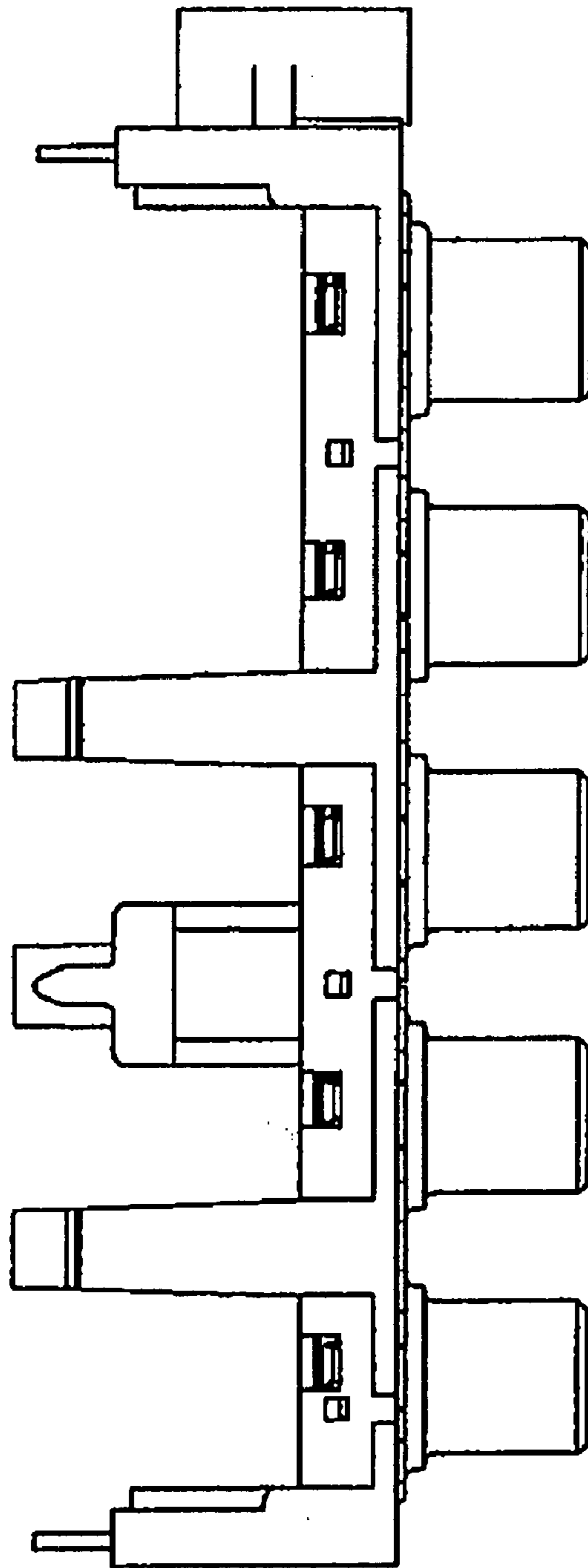


FIGURE 5

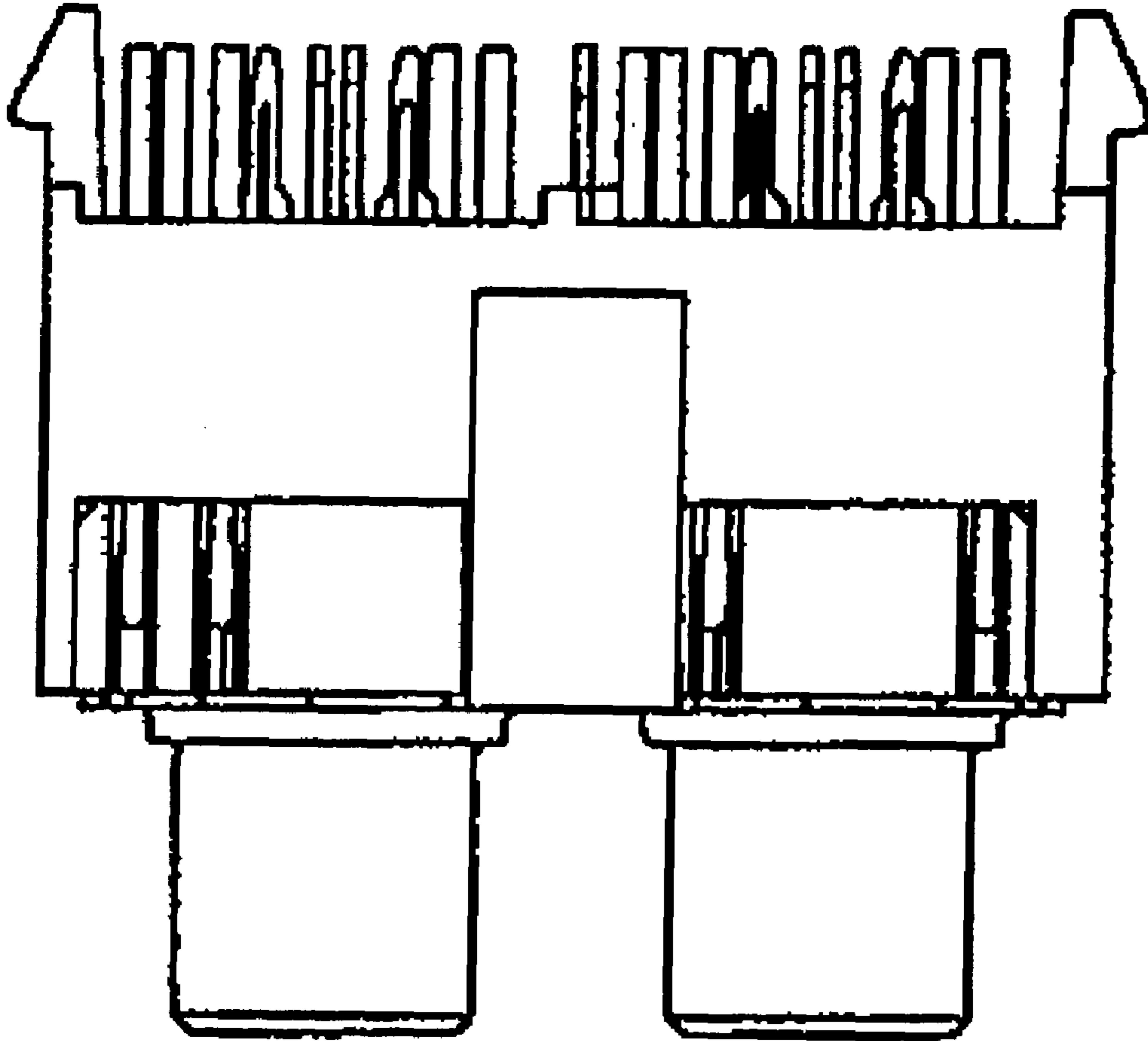


FIGURE 6

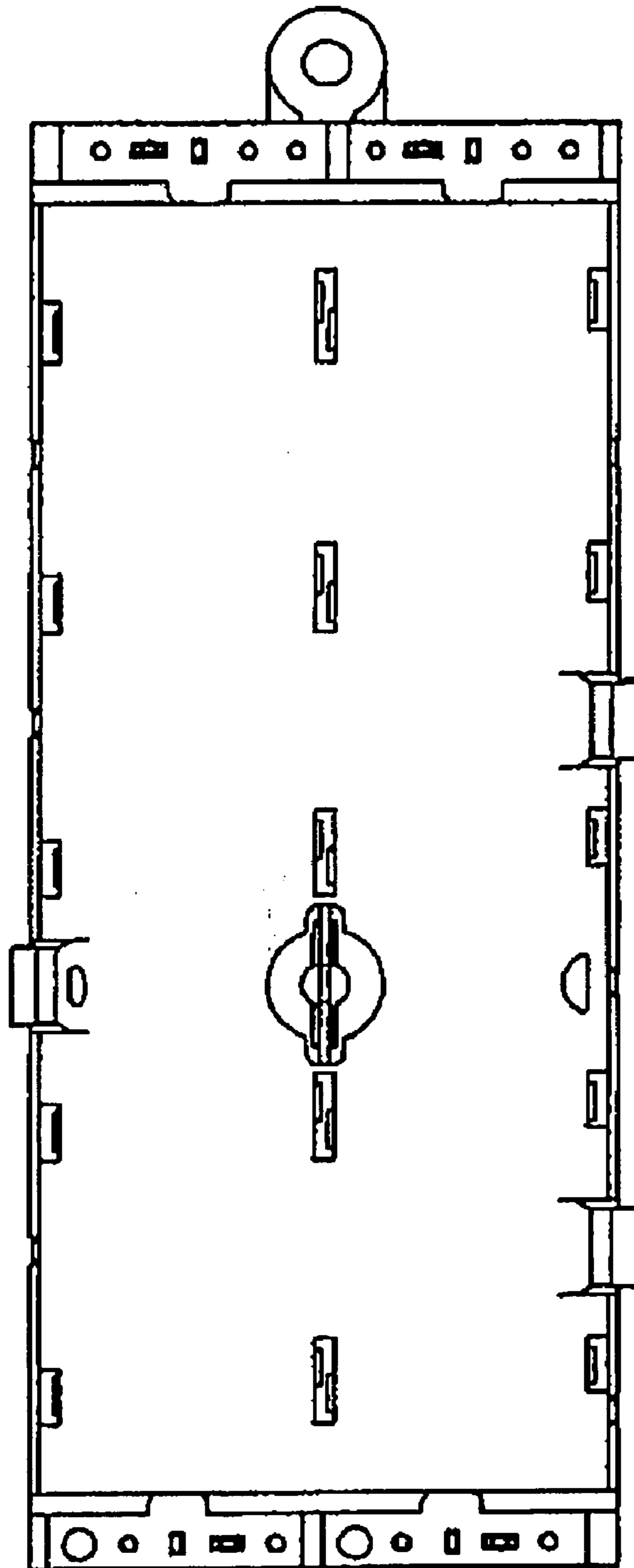


FIGURE 7



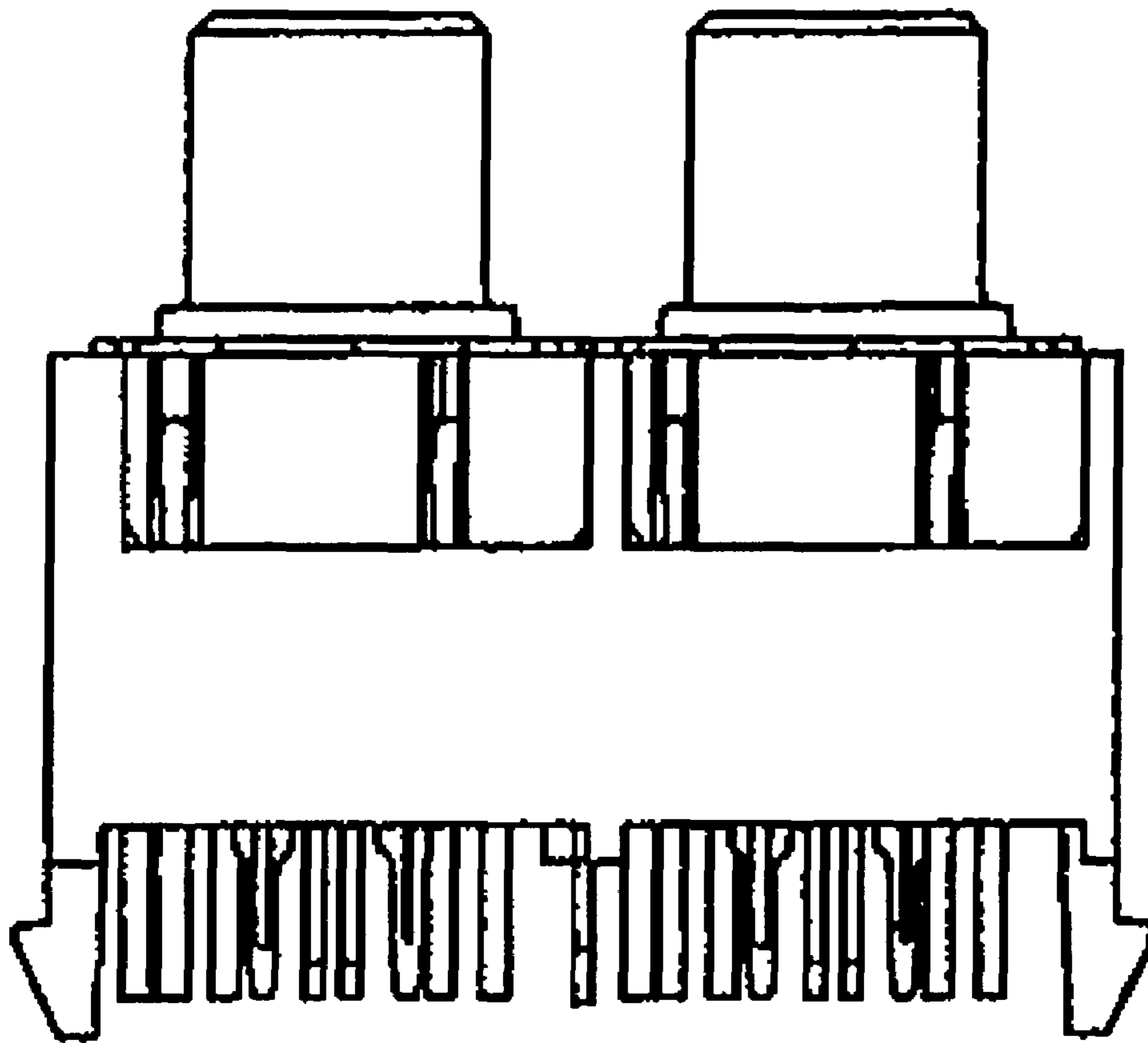


FIGURE 8