



US00D561707S

(12) **United States Design Patent**
Neveu

(10) **Patent No.:** **US D561,707 S**

(45) **Date of Patent:** **** Feb. 12, 2008**

(54) **ELECTRICAL ENERGY CONTROL SWITCH**

(75) Inventor: **Stephane Neveu**, Strasbourg (FR)

(73) Assignees: **Legrand France**, Limoges (FR);
Legrand SNC, Limoges (FR)

(**) Term: **14 Years**

(21) Appl. No.: **29/269,754**

(22) Filed: **Dec. 8, 2006**

(30) **Foreign Application Priority Data**

Jun. 12, 2006 (EM) 000545603

(51) **LOC (8) Cl.** **13-03**

(52) **U.S. Cl.** **D13/174**

(58) **Field of Classification Search** D13/125,
D13/158–177, 184, 199; D8/310; 200/310,
200/314, 329, 4, 406, 524, 530, 532, 535–6,
200/6 A, 81 R, 5 R; D14/402

See application file for complete search history.

(56) **References Cited**

U.S. PATENT DOCUMENTS

D362,841 S * 10/1995 Roza D13/171
D377,337 S * 1/1997 Schaeffer D13/171

D432,997 S * 10/2000 Bonn D13/174
D441,346 S * 5/2001 Bonn D13/174
D469,411 S * 1/2003 Decosse D13/174
D492,311 S * 6/2004 Suzuki D14/402
D511,290 S * 11/2005 Coudurier D8/310
D523,114 S * 6/2006 Schaffeld et al. D23/249
D527,611 S * 9/2006 Sato D8/310
D545,663 S * 7/2007 Sato D8/310

* cited by examiner

Primary Examiner—Selina Sikder

Assistant Examiner—Thomas J Johannes

(74) *Attorney, Agent, or Firm*—Young & Thompson

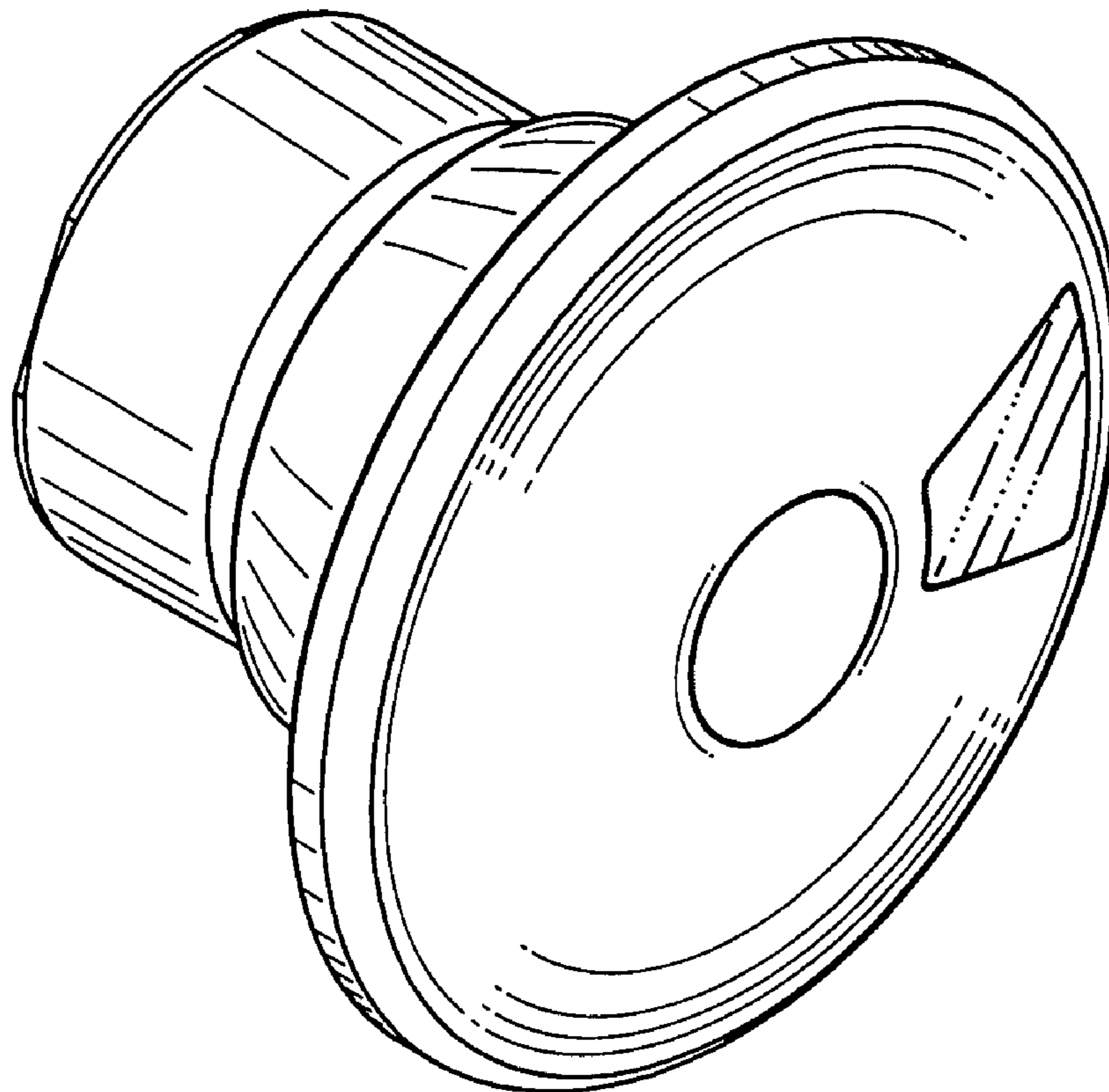
(57) **CLAIM**

The ornamental design for an “electrical energy control switch”, as shown.

DESCRIPTION

FIG. 1 is a front elevational view thereof;
FIG. 2 is a left side elevational view thereof;
FIG. 3 is a right side elevational view thereof;
FIG. 4 is a top view thereof;
FIG. 5 is a bottom view thereof; and,
FIG. 6 is a perspective view.

1 Claim, 2 Drawing Sheets



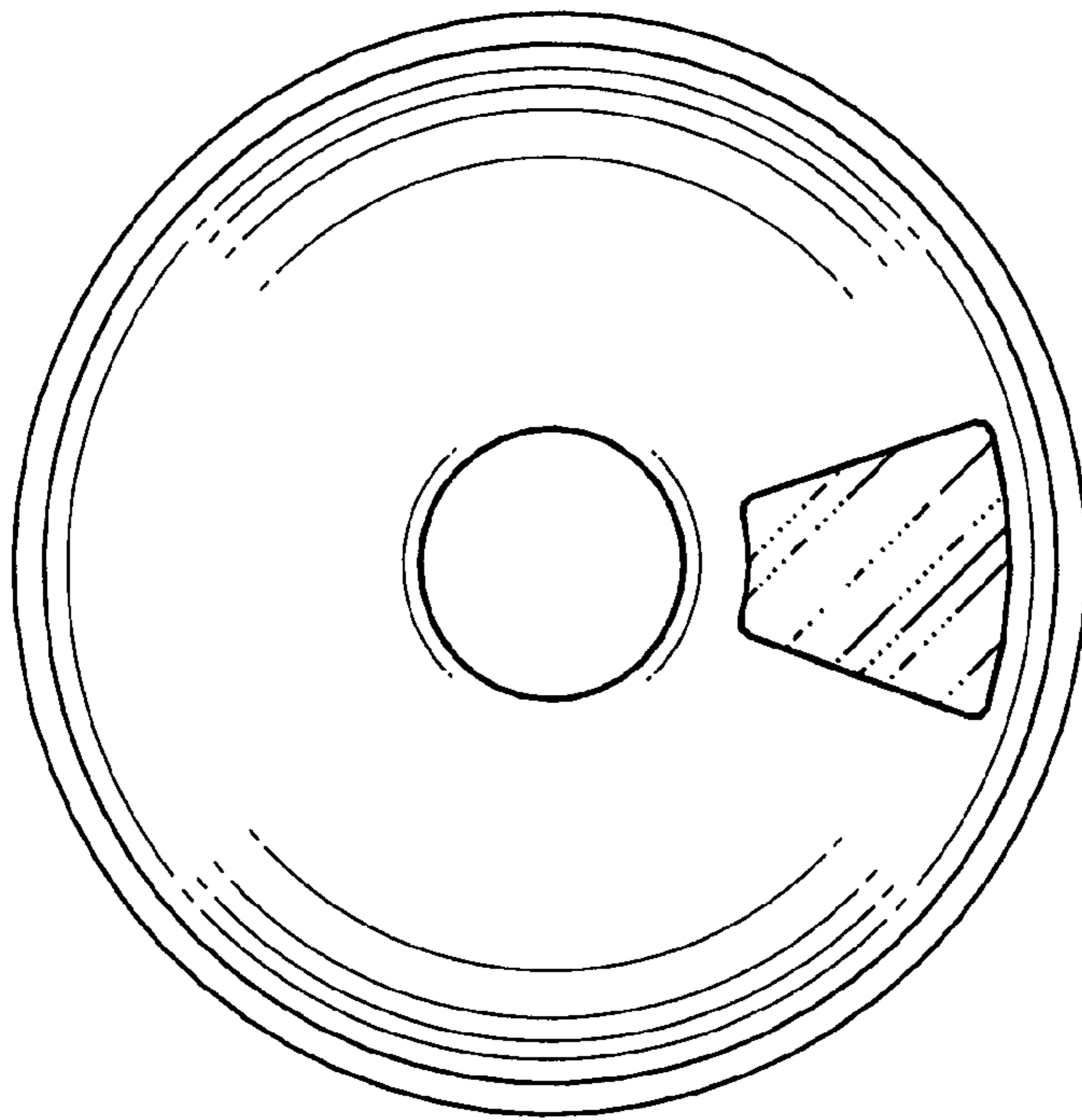


Fig.1

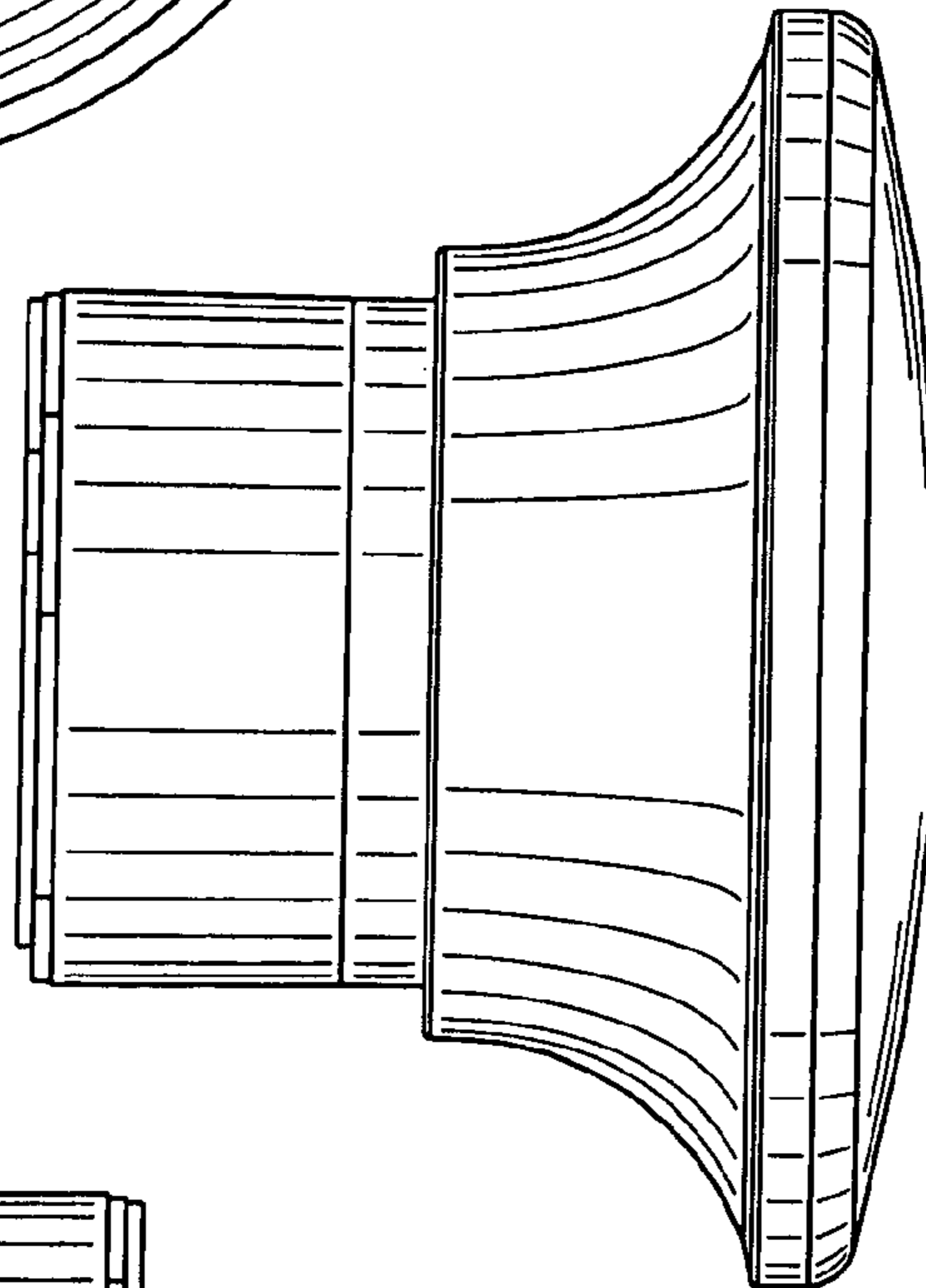


Fig.2

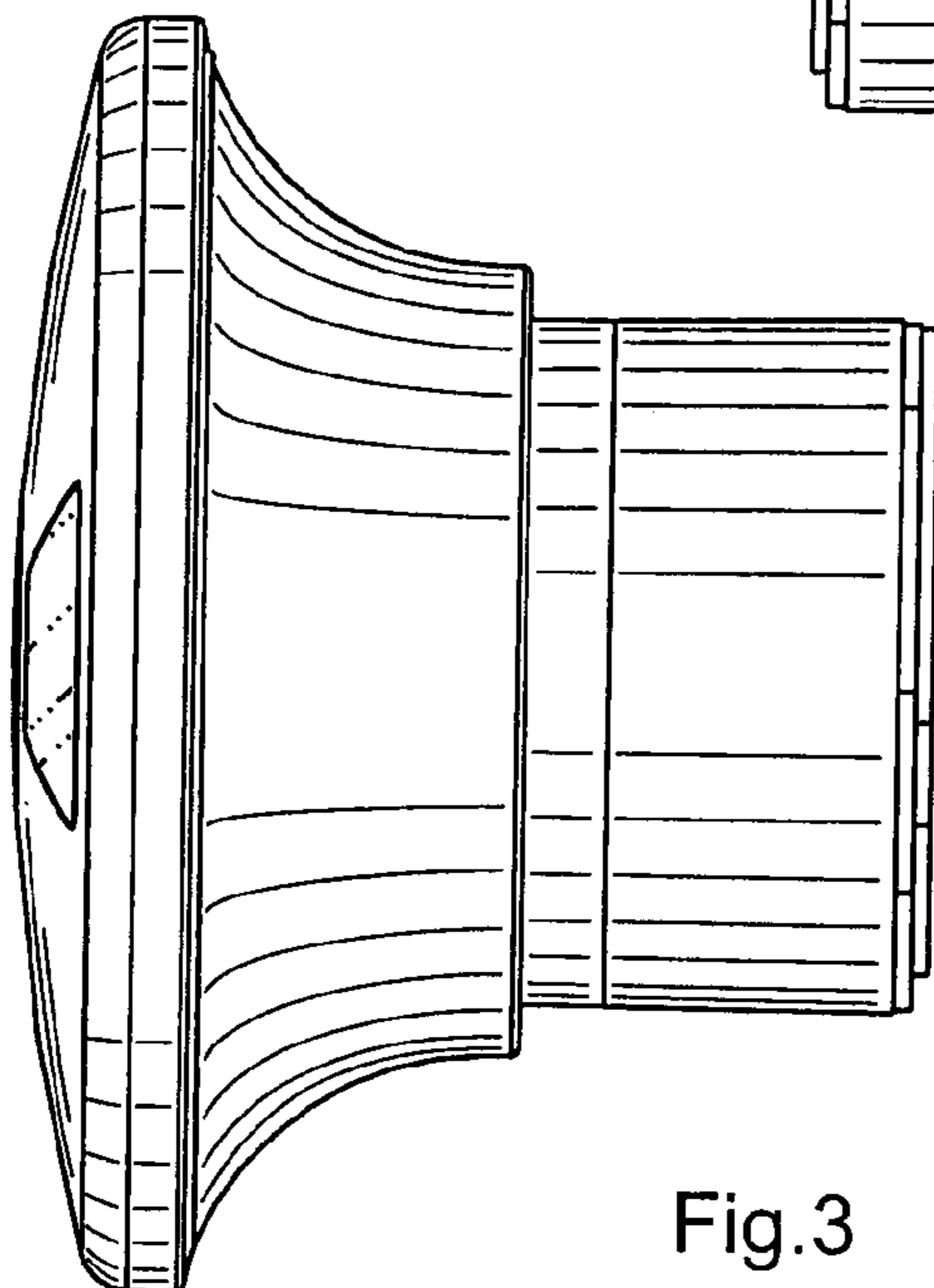


Fig.3

Fig.4

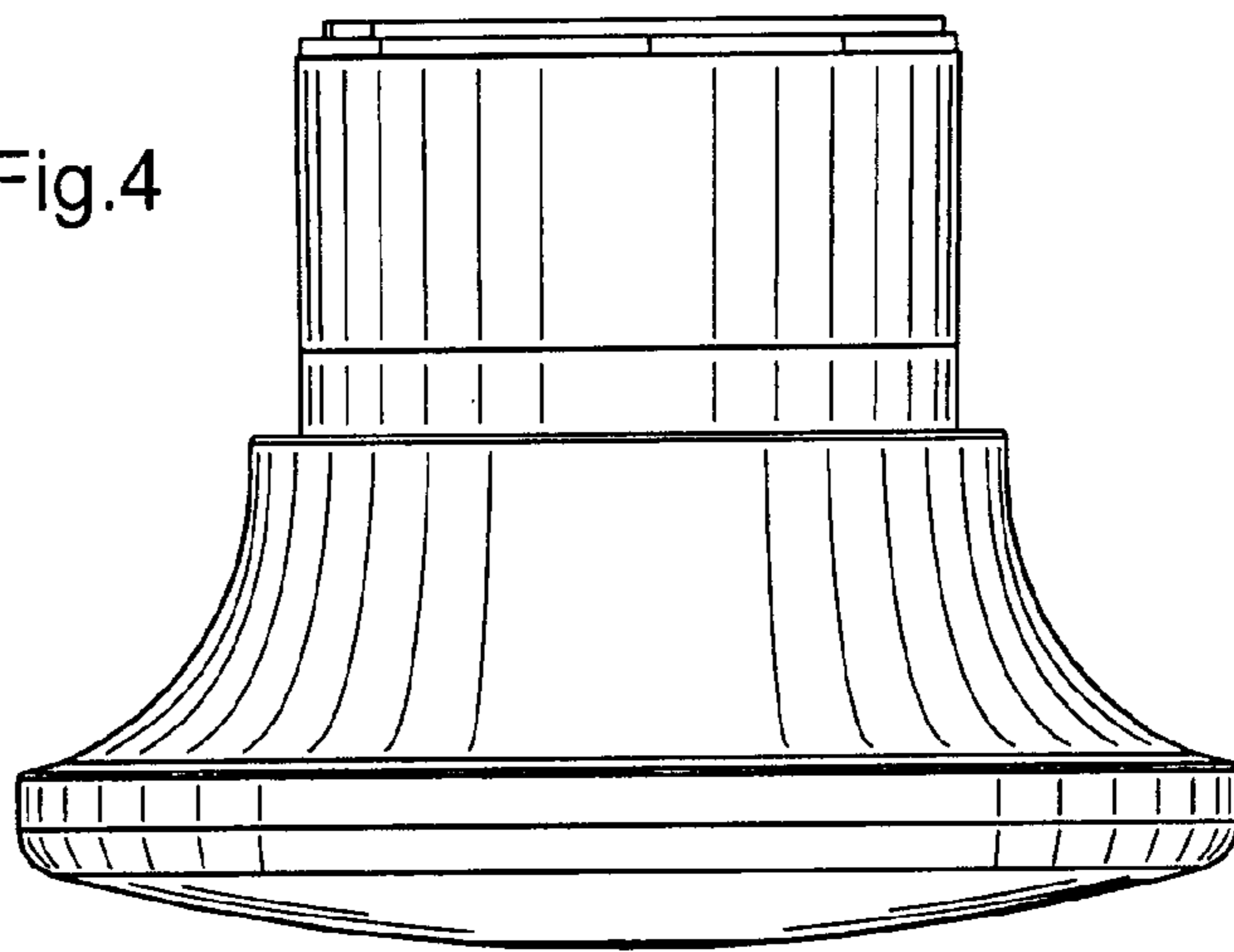


Fig.5

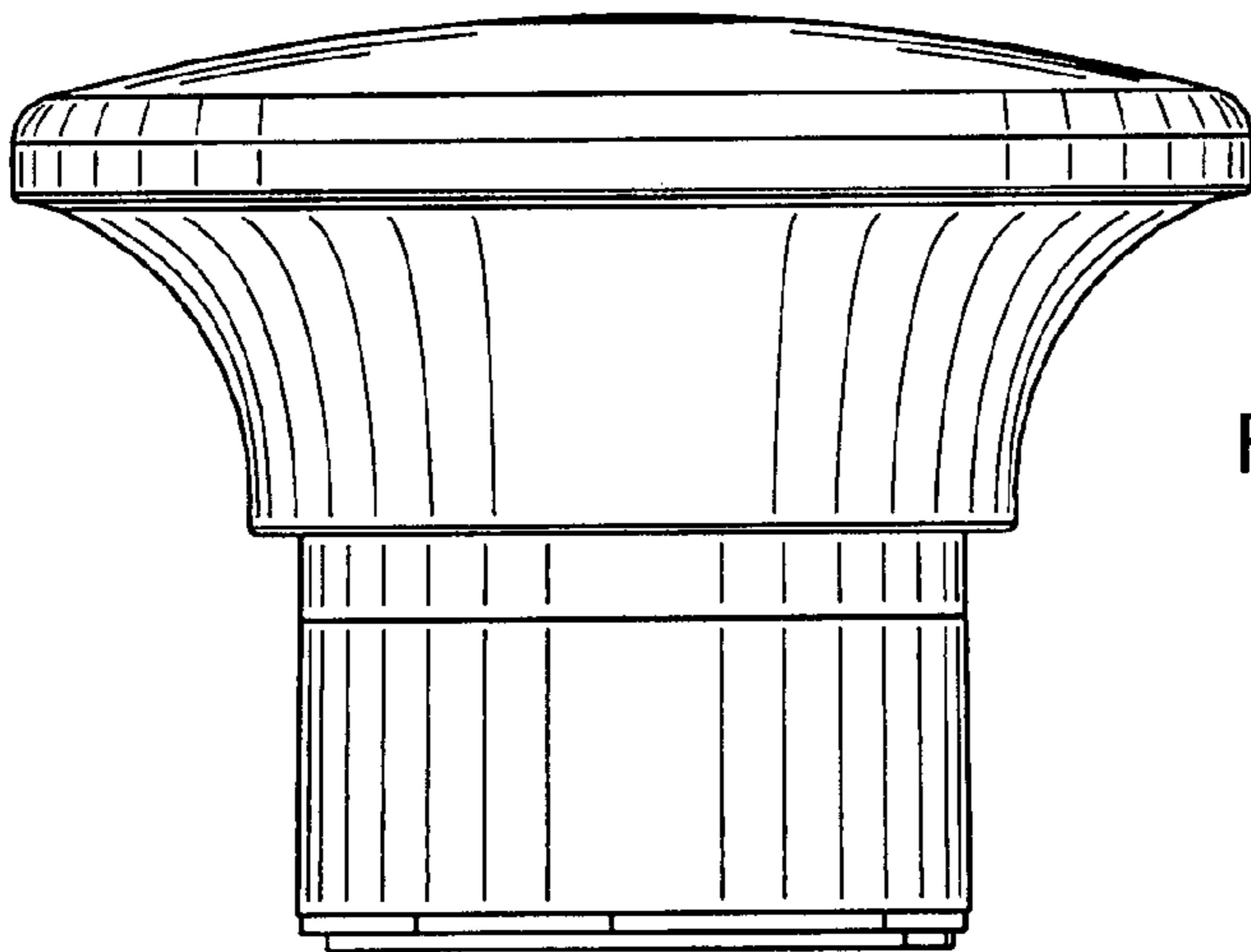


Fig.6

