



US00D561706S

(12) **United States Design Patent**
Mishima

(10) **Patent No.:** **US D561,706 S**

(45) **Date of Patent:** **** Feb. 12, 2008**

(54) **PUSH-BUTTON SWITCH**

(75) Inventor: **Norikazu Mishima, Yao (JP)**

(73) Assignee: **Hosiden Corporation, Osaka (JP)**

(**) Term: **14 Years**

(21) Appl. No.: **29/250,046**

(22) Filed: **Oct. 31, 2006**

(30) **Foreign Application Priority Data**

May 11, 2006 (JP) 2006-011908

(51) **LOC (8) Cl.** **13-03**

(52) **U.S. Cl.** **D13/171**

(58) **Field of Classification Search** D13/125,
D13/158-177, 184, 199; D14/247; 200/310,
200/314, 329, 4, 406, 524, 530, 532, 535-6,
200/6 A, 81 R

See application file for complete search history.

(56) **References Cited**

U.S. PATENT DOCUMENTS

- 4,273,980 A * 6/1981 Rogero 200/524
- D282,067 S * 1/1986 Inaba D14/247
- D316,540 S * 4/1991 Hirose D13/171
- 5,072,085 A * 12/1991 Shinohara et al. 200/314
- D340,224 S * 10/1993 Gierut D13/171
- D462,666 S * 9/2002 Yamasaki et al. D13/158
- D511,504 S * 11/2005 Sang D13/171
- D523,401 S * 6/2006 Wang D13/154
- D533,842 S * 12/2006 Tohyama et al. D13/158

- D534,500 S * 1/2007 Yamada D13/158
- D537,797 S * 3/2007 Yanai et al. D13/171
- 2005/0115817 A1 * 6/2005 Zhou 200/532
- 2007/0029176 A1 * 2/2007 Sakurai 200/6 A

* cited by examiner

Primary Examiner—Selina Sikder

Assistant Examiner—Thomas J Johannes

(74) *Attorney, Agent, or Firm*—Akin Gump Strauss Hauer & Feld LLP

(57) **CLAIM**

The ornamental design for a push-button switch, as shown and described.

DESCRIPTION

FIG. 1 is a front, right side and top perspective view of a push-button switch showing my new design;

FIG. 2 is a rear, left side and top perspective view thereof;

FIG. 3 is a front view thereof, the rear view being a mirror image thereof;

FIG. 4 is a left side elevation view thereof;

FIG. 5 is a right side elevation view thereof; and,

FIG. 6 is a top plan view thereof; and,

FIG. 7 is a bottom plan view thereof.

The broken line showing in the figure drawings is included for illustrative purposes only and forms no part of the claimed design.

1 Claim, 5 Drawing Sheets

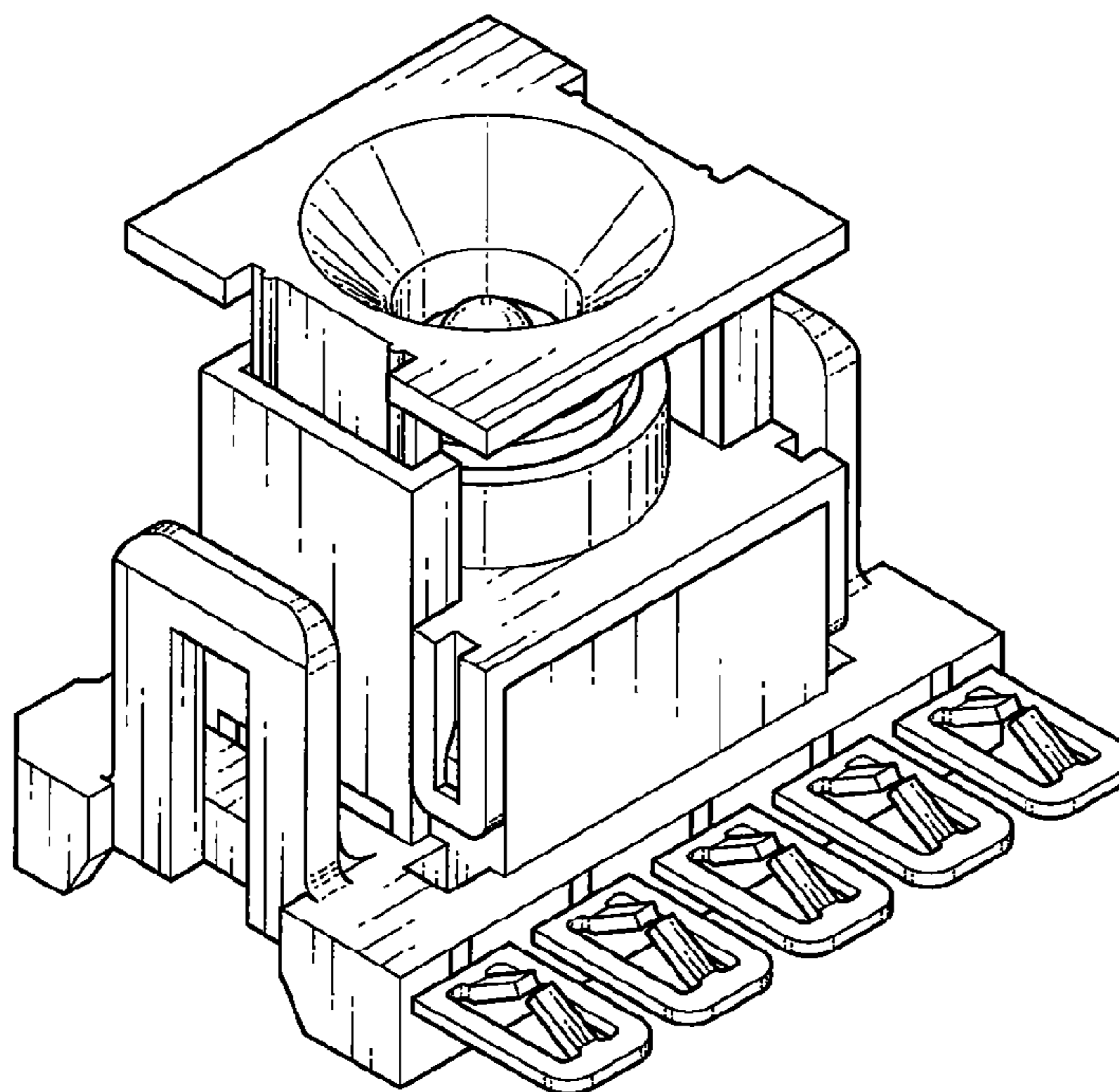


Fig. 1

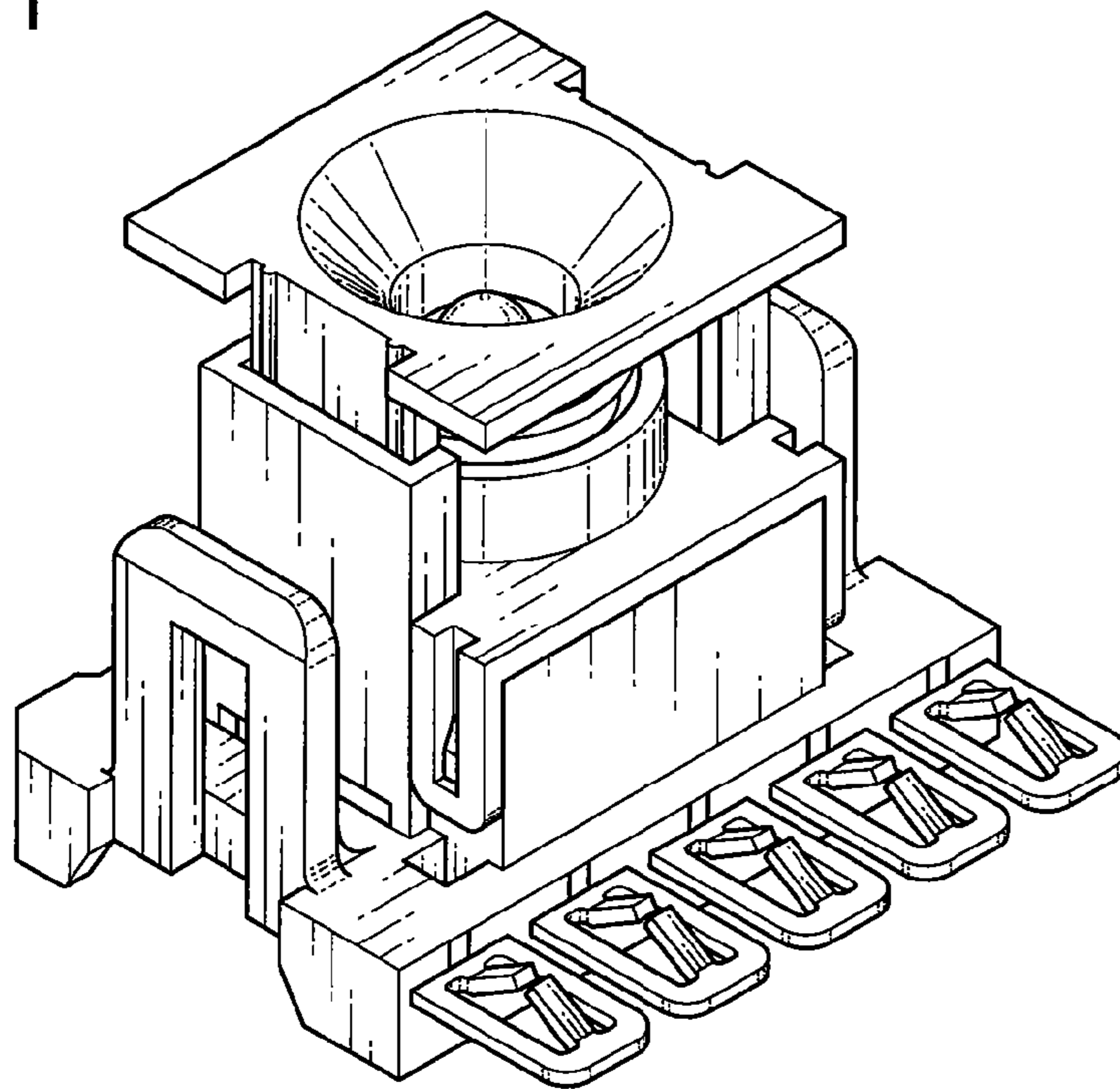


Fig. 2

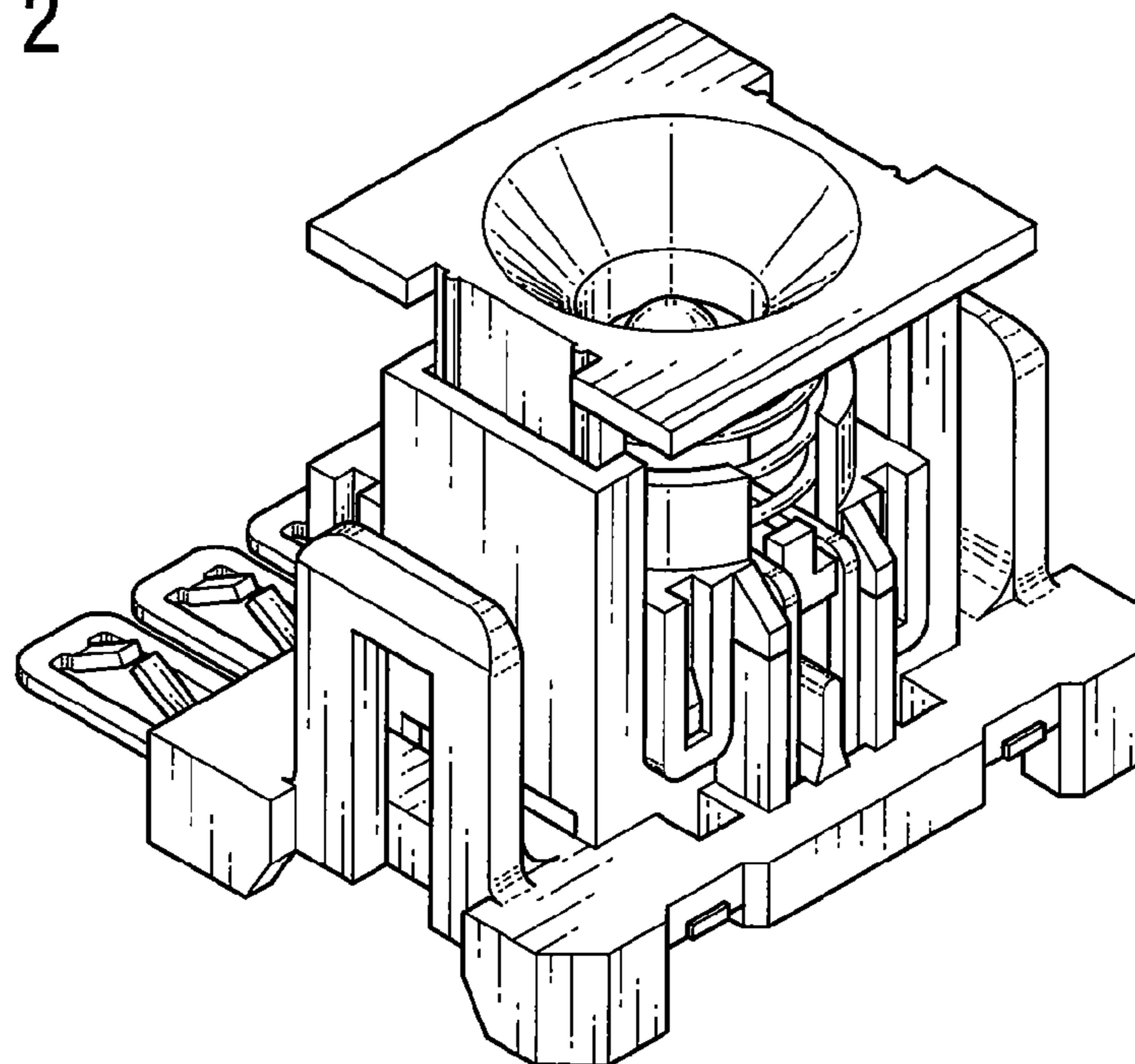


Fig. 3

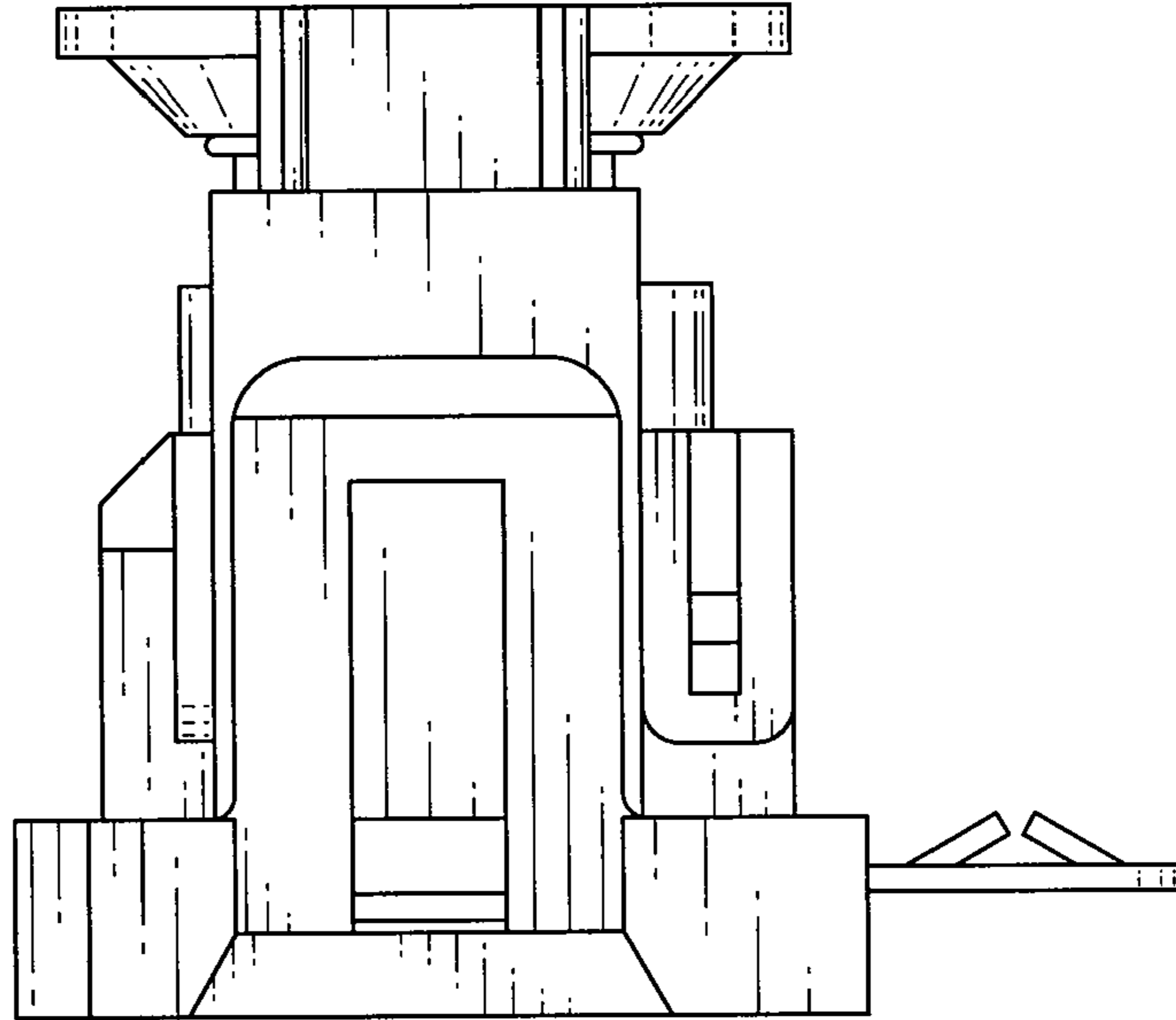


Fig. 4

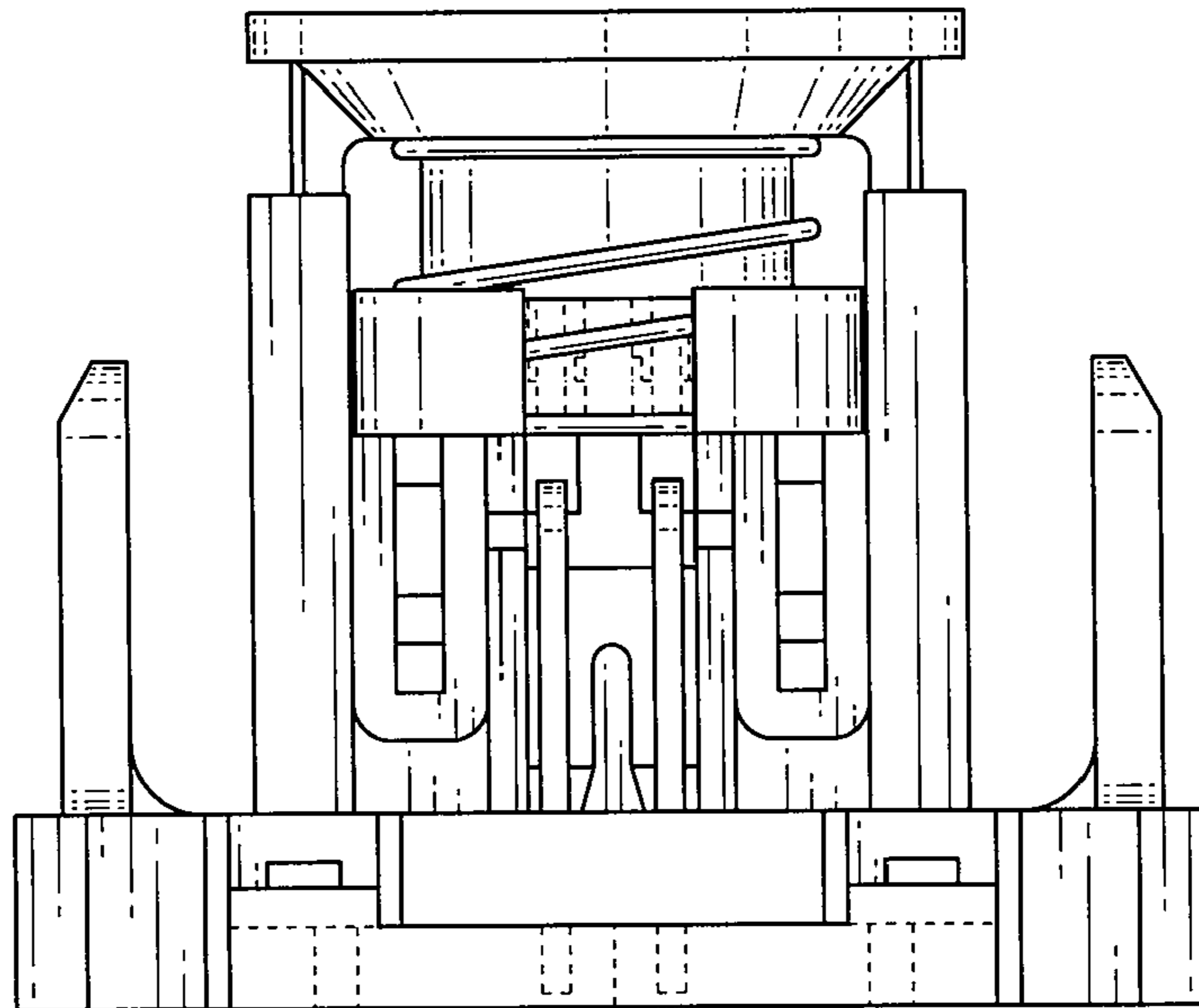


Fig. 5

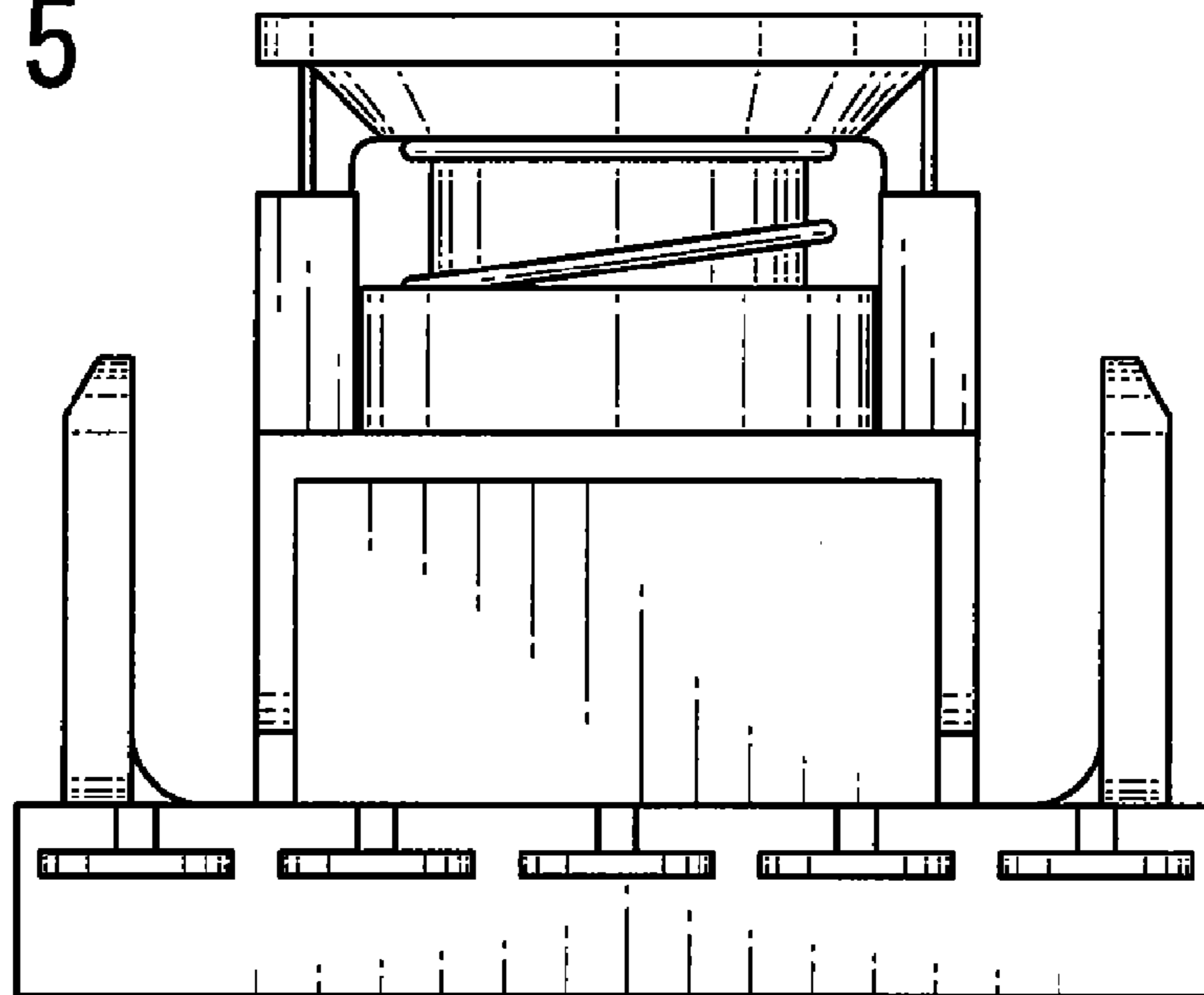


Fig. 6

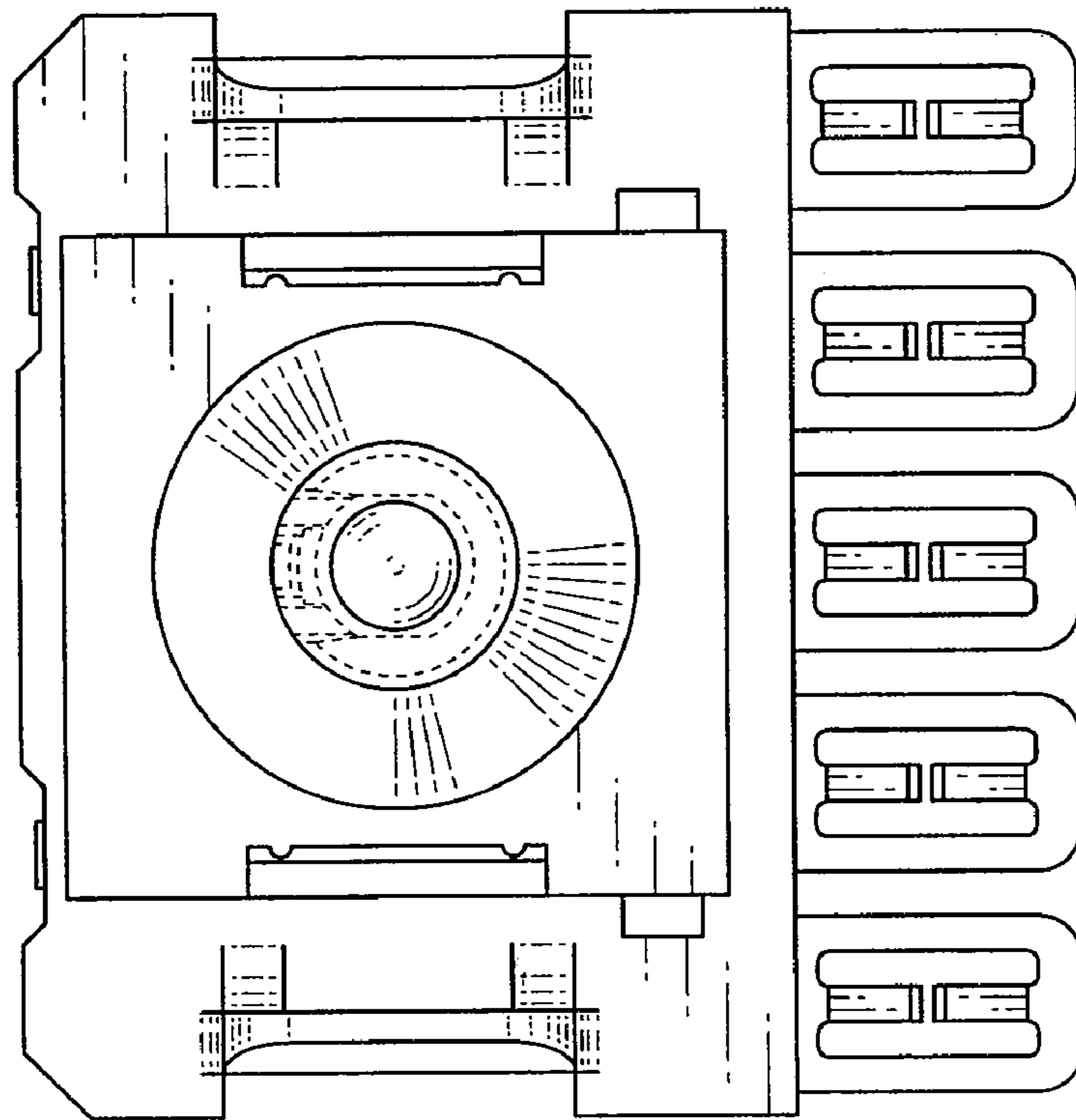


Fig. 7

