

US00D561704S

(12) **United States Design Patent**
Collins

(10) **Patent No.:** **US D561,704 S**

(45) **Date of Patent:** **** Feb. 12, 2008**

(54) **CONTROL KNOB**

D512,128 S * 11/2005 Zieger et al. D23/250
D545,664 S * 7/2007 Fields D8/310

(76) Inventor: **James L. Collins**, 7116 State Route W,
P.O. Box 68, Peace Valley, MO (US)
65788

* cited by examiner

(**) Term: **14 Years**

Primary Examiner—Daniel Bui
Assistant Examiner—Thomas J Johannes
(74) *Attorney, Agent, or Firm*—Richard L. Marsh

(21) Appl. No.: **29/244,478**

(57) **CLAIM**

(22) Filed: **Dec. 9, 2005**

I claim the ornamental design for a control knob, as shown and described.

(51) **LOC (8) Cl.** **13-03**

(52) **U.S. Cl.** **D13/171; D13/158**

(58) **Field of Classification Search** D13/125,
D13/158-177; 242/317; D8/310; 301/65;
74/553; D12/209

See application file for complete search history.

DESCRIPTION

FIG. 1 is a front view of a control knob showing my new design;

FIG. 2 is a top-plan view of the first embodiment thereof, the right, left and bottom-plan views being identical;

FIG. 3 is a rear view thereof;

FIG. 4 is a top-plan view of a second embodiment of the control knob consisting of a different shaft design, the bottom-plan view being identical;

FIG. 5 is a right side view thereof, the left side view being identical; and,

FIG. 6 is a rear view thereof.

(56) **References Cited**

U.S. PATENT DOCUMENTS

1,947,911	A *	2/1934	Kay	301/65
2,444,485	A *	7/1948	Aitcheson	74/553
D206,059	S *	10/1966	Clayton	D8/310
D284,653	S *	7/1986	Matican	D13/125
D327,407	S *	6/1992	Clayton	D8/310
5,921,492	A *	7/1999	Bauer	242/317
D501,652	S *	2/2005	Pierson et al.	D13/171
D504,378	S *	4/2005	Grossenbacher et al.	..	D12/209

1 Claim, 2 Drawing Sheets

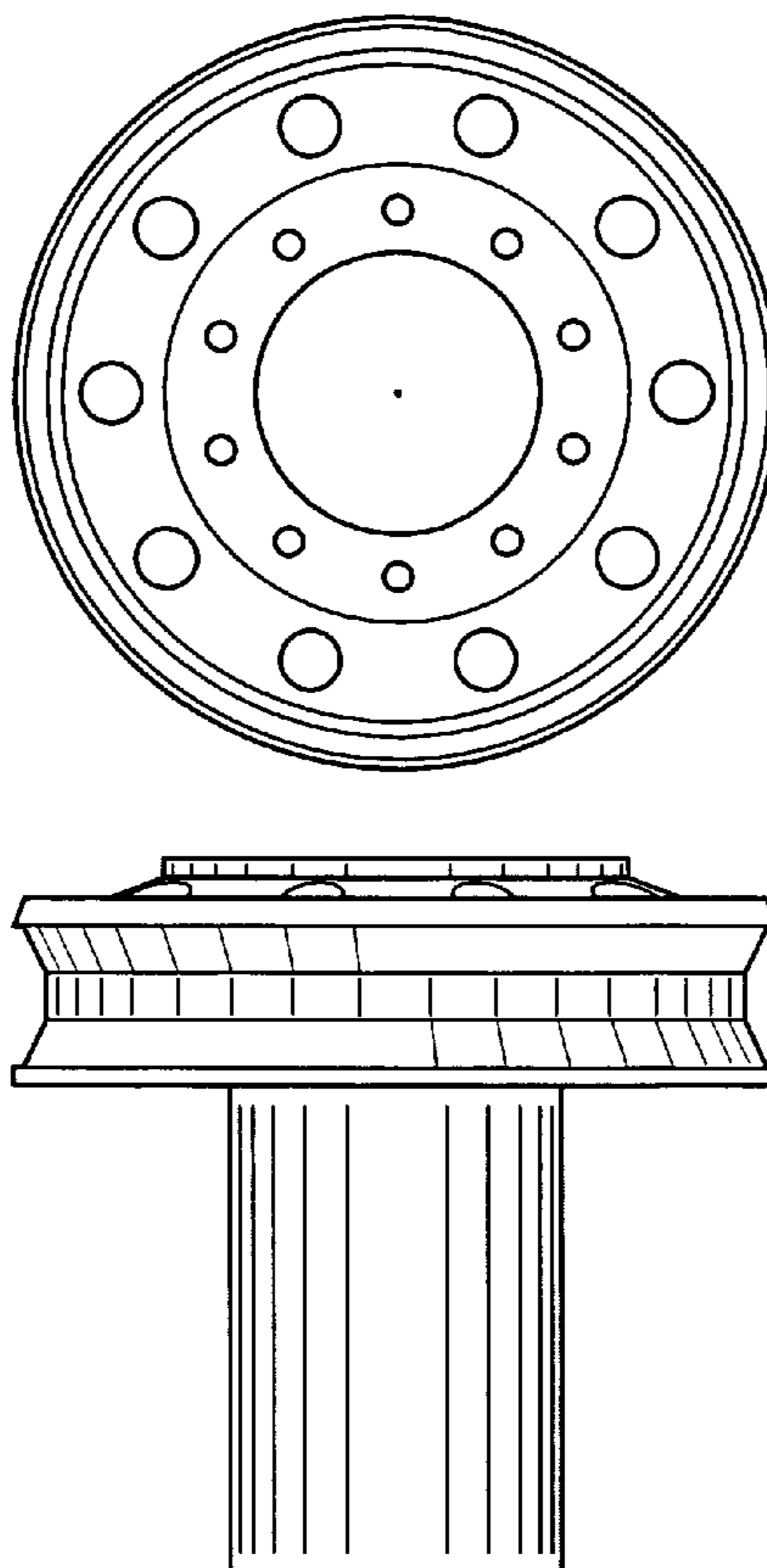


FIG. 1

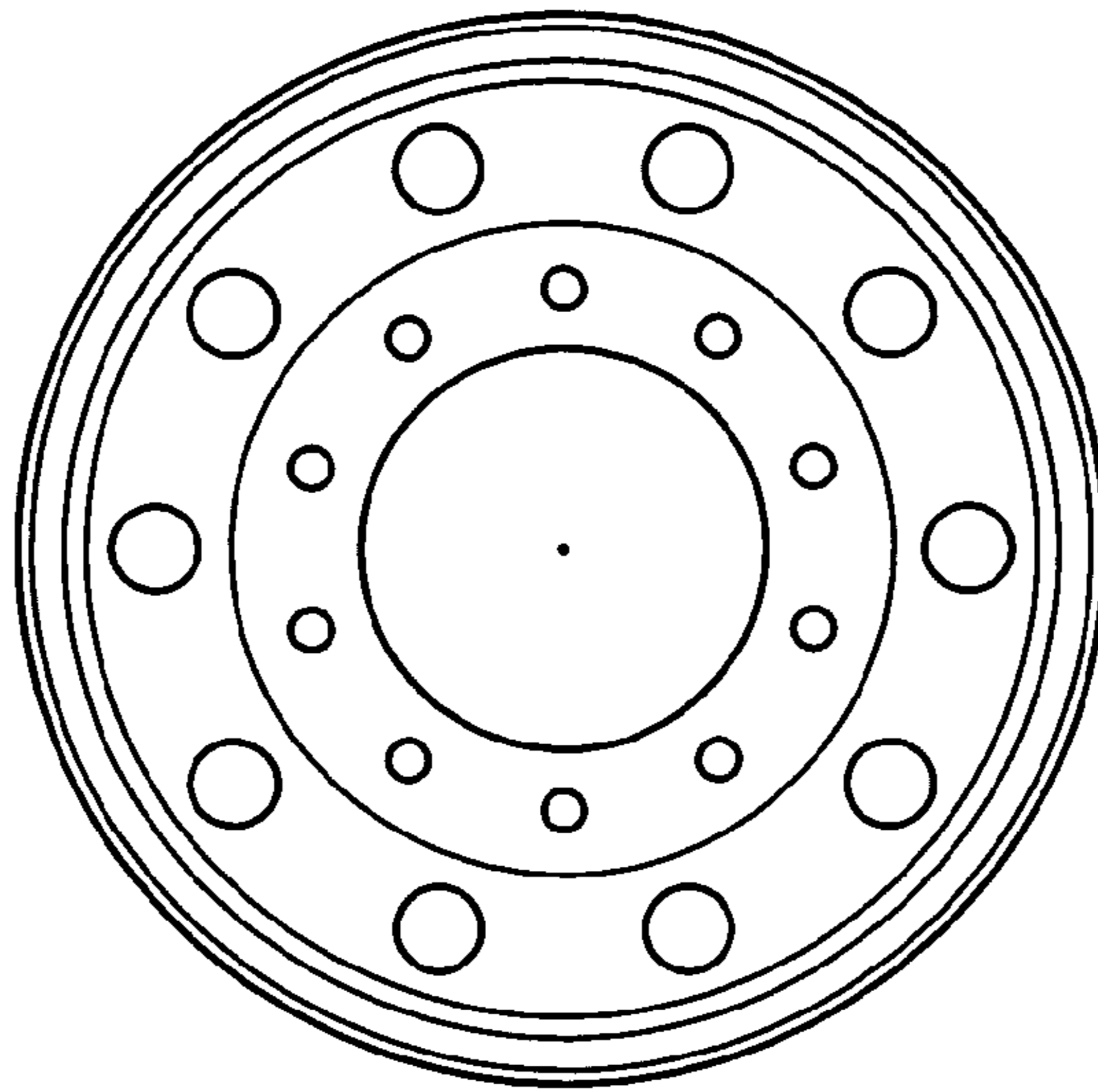


FIG. 2

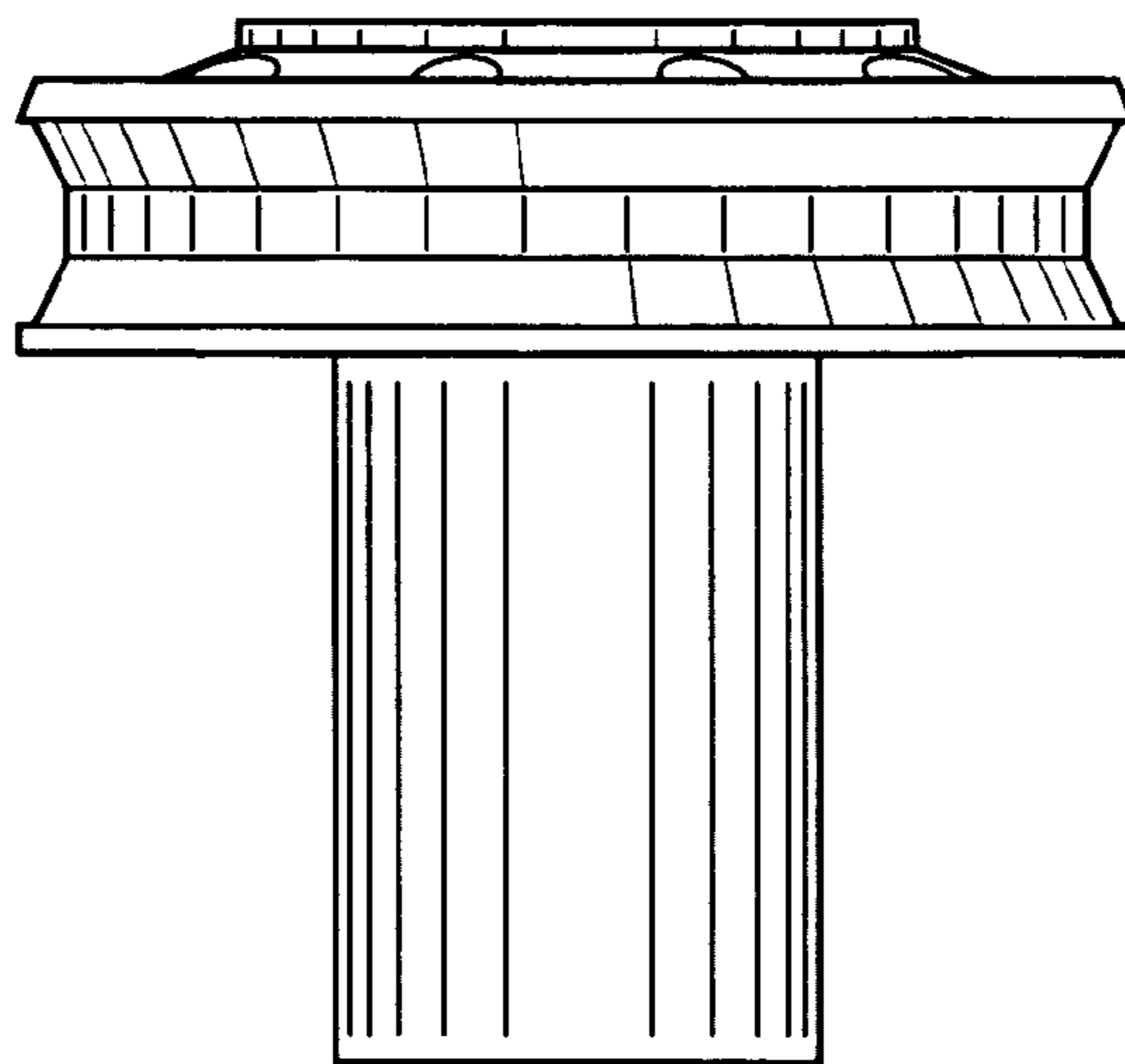


FIG. 3

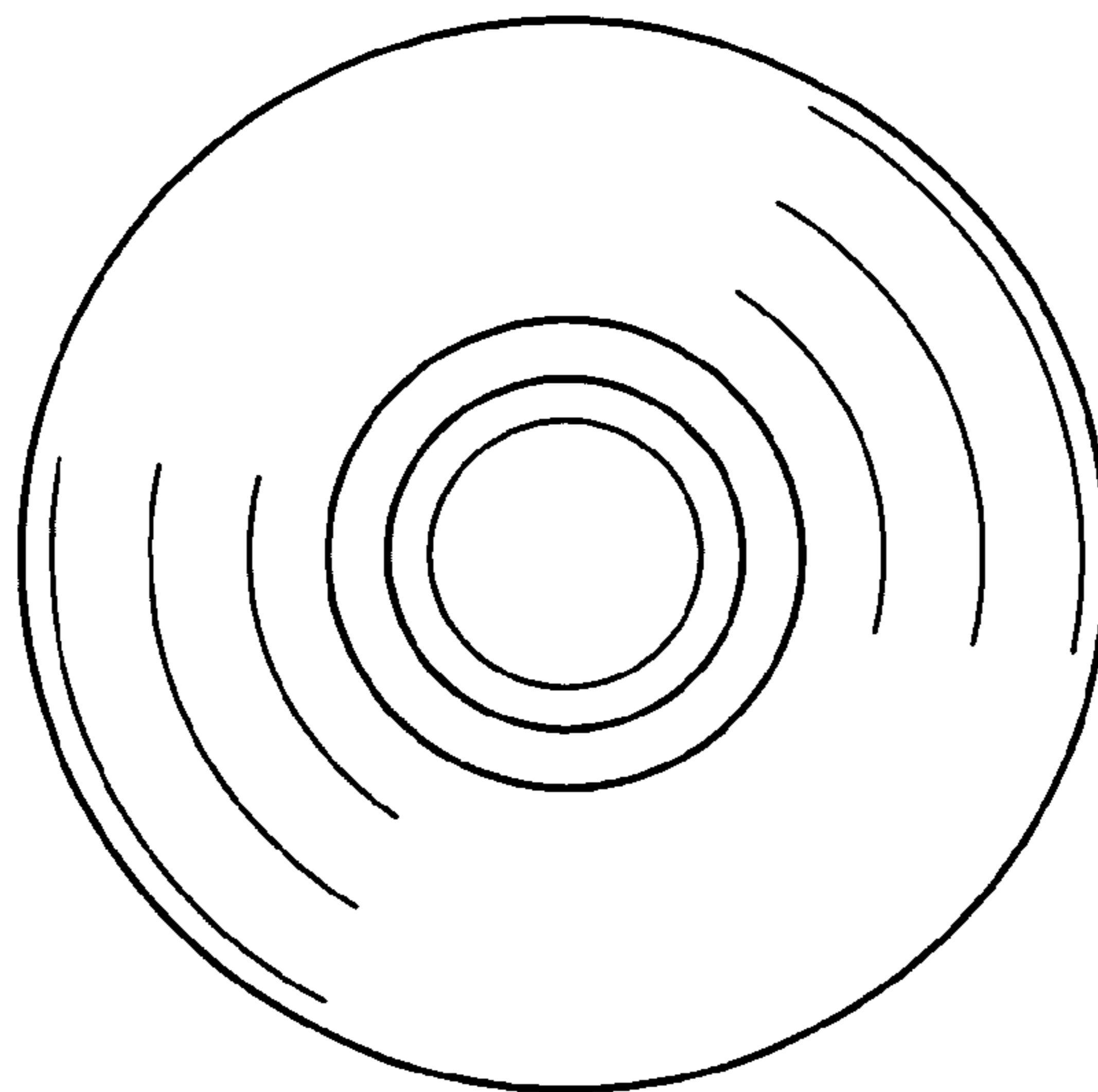


FIG. 4

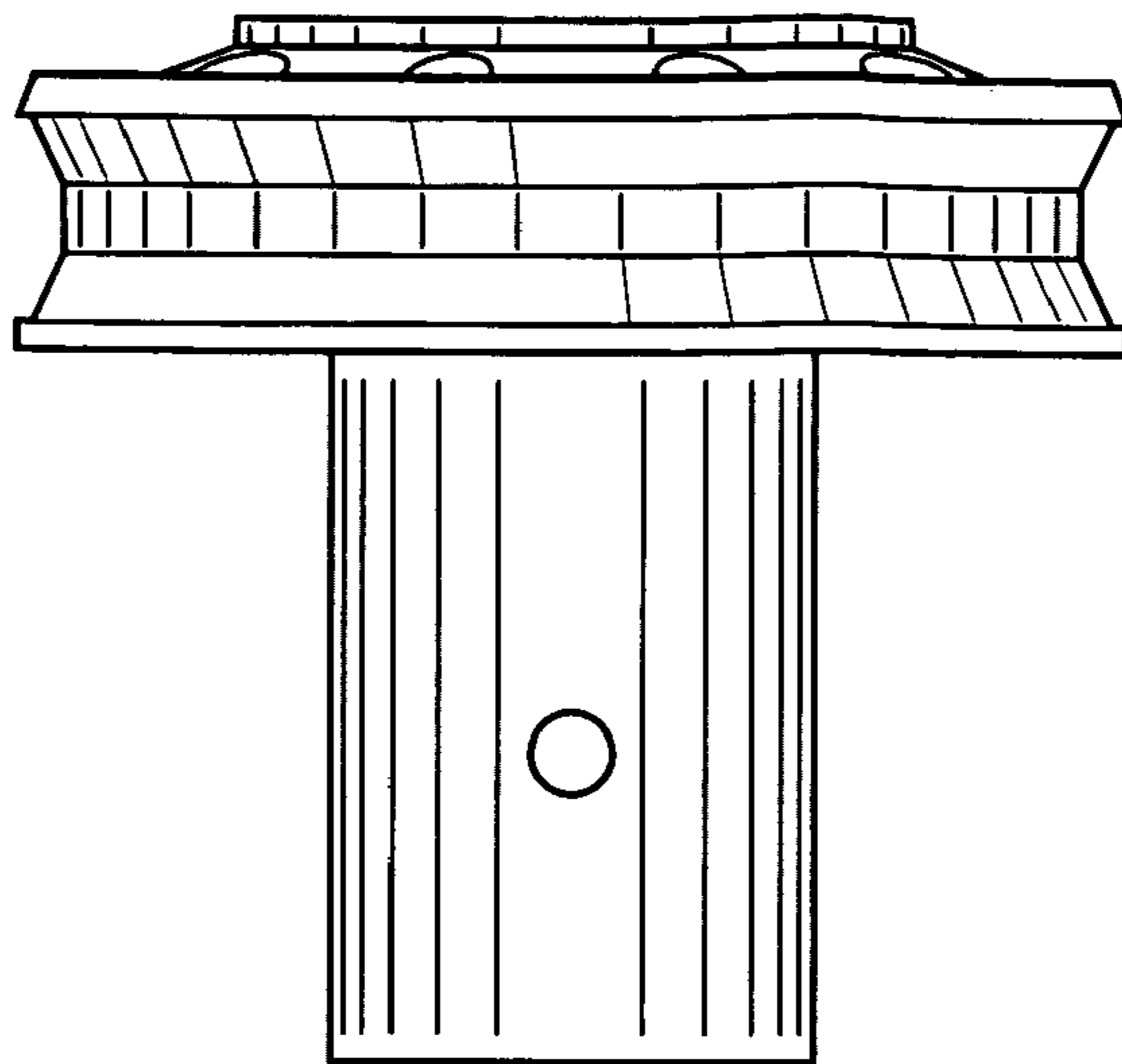


FIG. 5

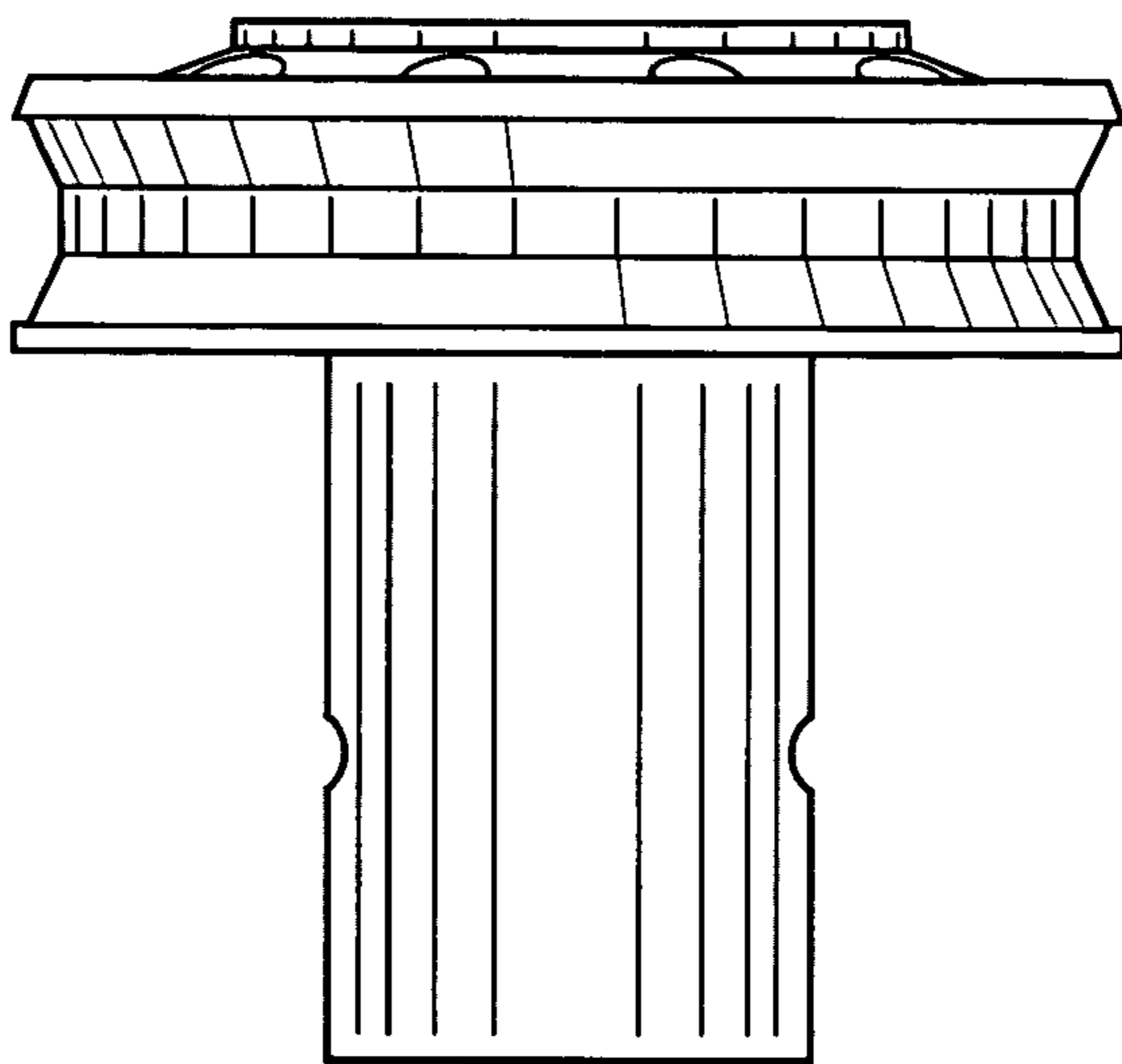


FIG. 6

