



US00D561699S

(12) **United States Design Patent**
Moritake et al.

(10) **Patent No.:** **US D561,699 S**

(45) **Date of Patent:** **** Feb. 12, 2008**

(54) **ELECTRICAL CONNECTOR**

7,214,081 B1 * 5/2007 Ju 439/260
7,270,567 B2 * 9/2007 Inoue 439/495

(75) Inventors: **Toshiyuki Moritake**, Tokyo (JP); **Tetsu Urano**, Tokyo (JP)

* cited by examiner

(73) Assignee: **Japan Aviation Electronics Industry, Limited**, Tokyo (JP)

Primary Examiner—Daniel Bui
(74) *Attorney, Agent, or Firm*—Collard & Roe, P.C.

(**) Term: **14 Years**

(57) **CLAIM**

(21) Appl. No.: **29/285,972**

The ornamental design for an electrical connector, as shown and described.

(22) Filed: **Apr. 18, 2007**

(30) **Foreign Application Priority Data**

DESCRIPTION

Nov. 10, 2006 (JP) 2006-030889

FIG. 1 is a front elevational view of an electrical connector, showing our new design;

(51) **LOC (8) Cl.** **13-03**

FIG. 2 is a top plan view thereof;

(52) **U.S. Cl.** **D13/147**

FIG. 3 is a bottom plan view thereof;

(58) **Field of Classification Search** D13/146–147, D13/154, 184; 439/159–160, 260, 325–326, 439/329, 492, 495, 607, 773, 946

FIG. 4 is a rear elevational view thereof;

See application file for complete search history.

FIG. 5 is a left side elevational view thereof;

FIG. 6 is a right side elevational view thereof;

(56) **References Cited**

FIG. 7 is a front, top, and right side perspective view thereof;

U.S. PATENT DOCUMENTS

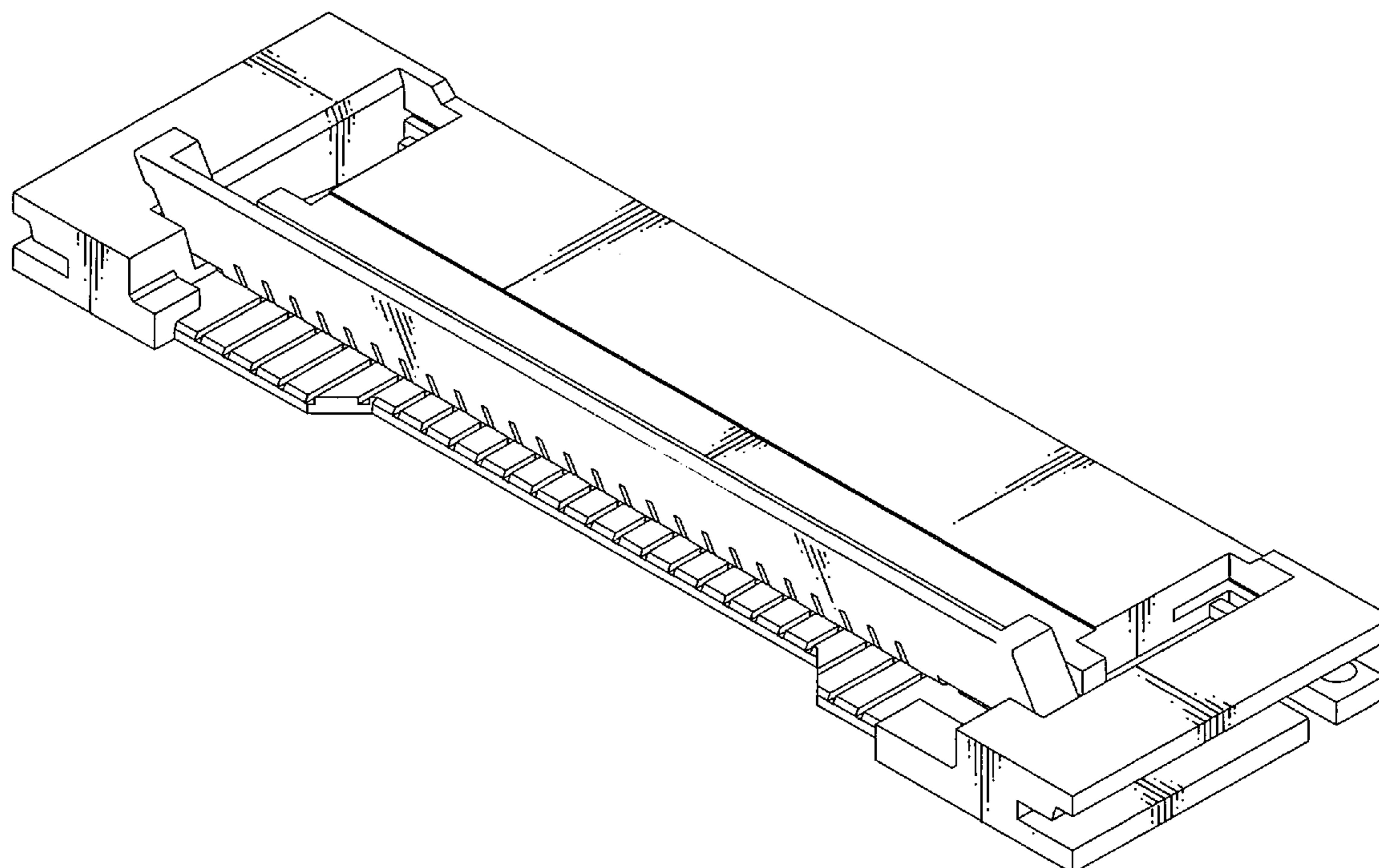
FIG. 8 is a rear, bottom, and left side perspective view thereof;

D470,110 S * 2/2003 Yamane D13/147
D472,219 S * 3/2003 Miura D13/147
D482,327 S * 11/2003 Saito et al. D13/147
6,884,108 B2 * 4/2005 Saito et al. 439/495
D517,494 S * 3/2006 Ikenaga et al. D13/147
D526,617 S * 8/2006 Yamane et al. D13/147
D529,869 S * 10/2006 Lee et al. D13/147

FIG. 9 is an enlarged sectional view thereof, taken along the line IX—IX of FIG. 1; and,

FIG. 10 is an enlarged sectional view thereof, taken along the line X—X of FIG. 1.

1 Claim, 8 Drawing Sheets



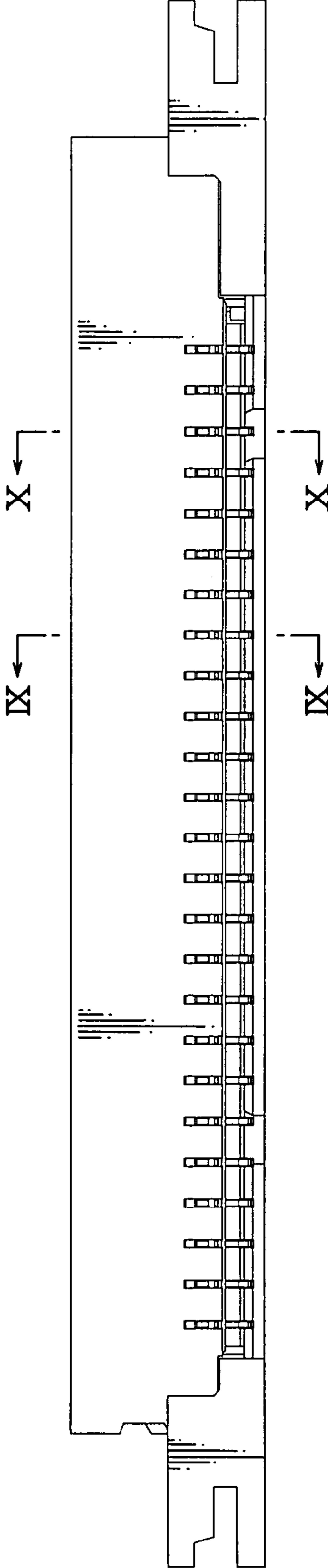


FIG. 1

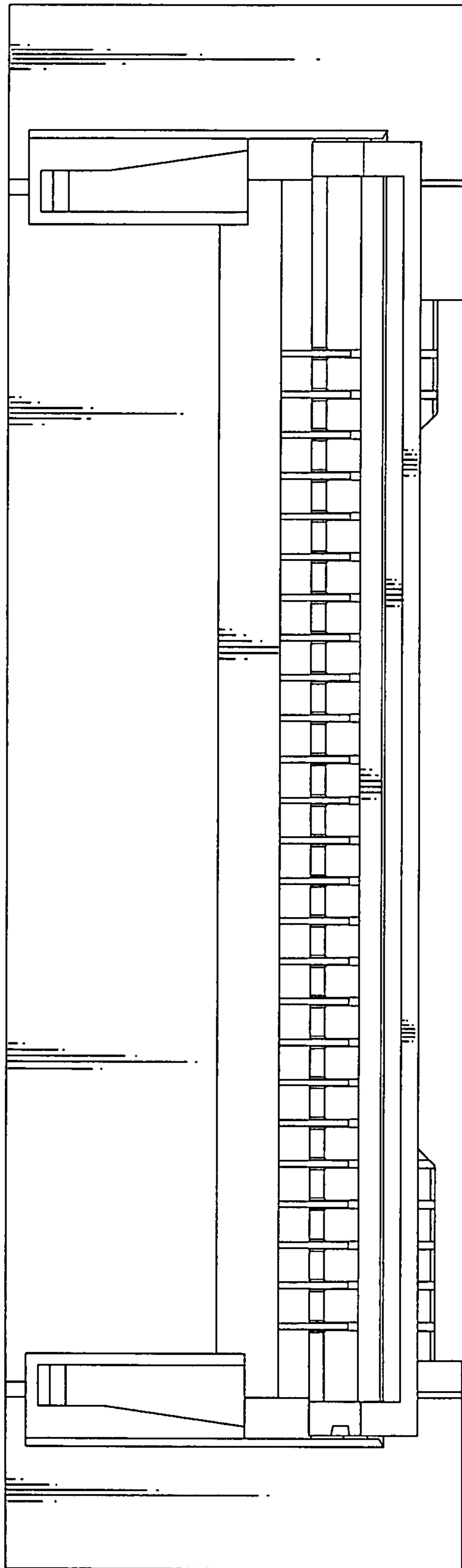


FIG. 2

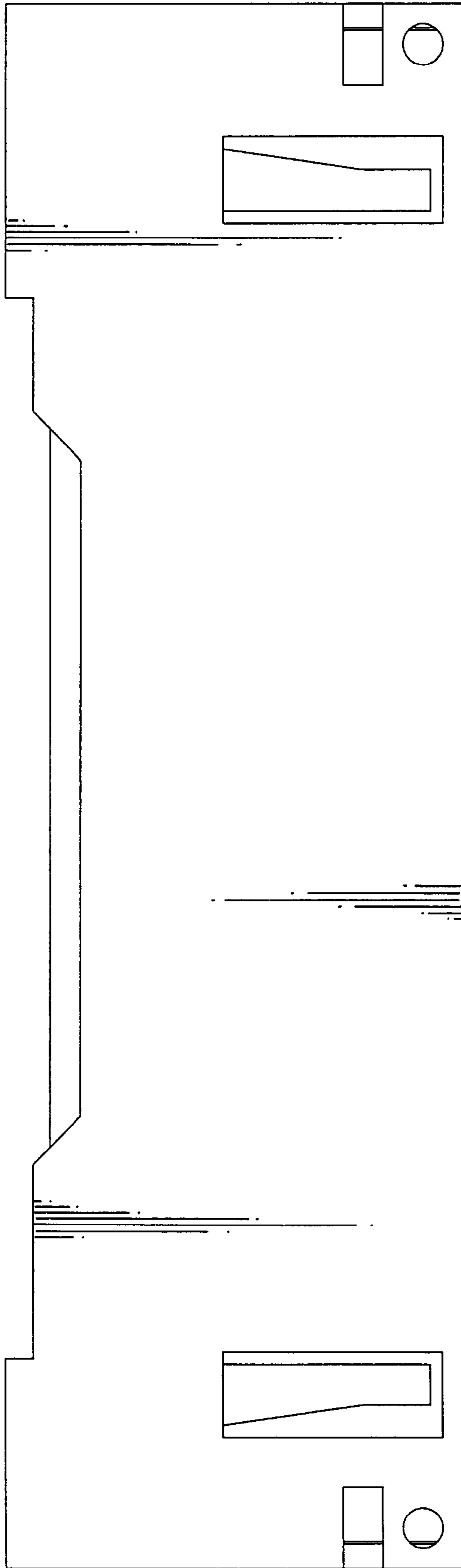


FIG. 3

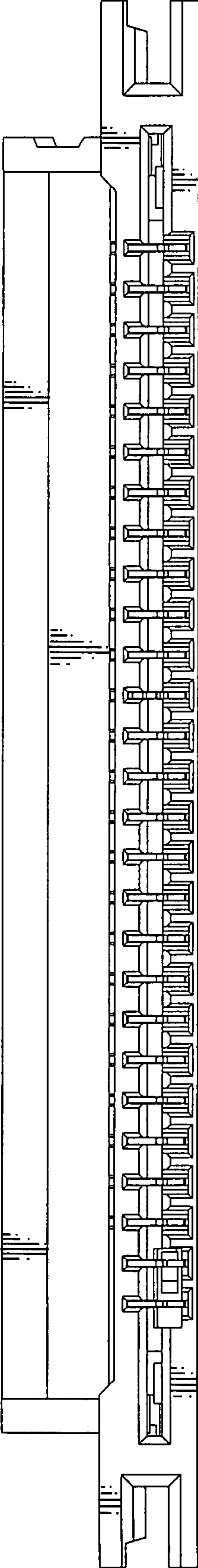


FIG. 4

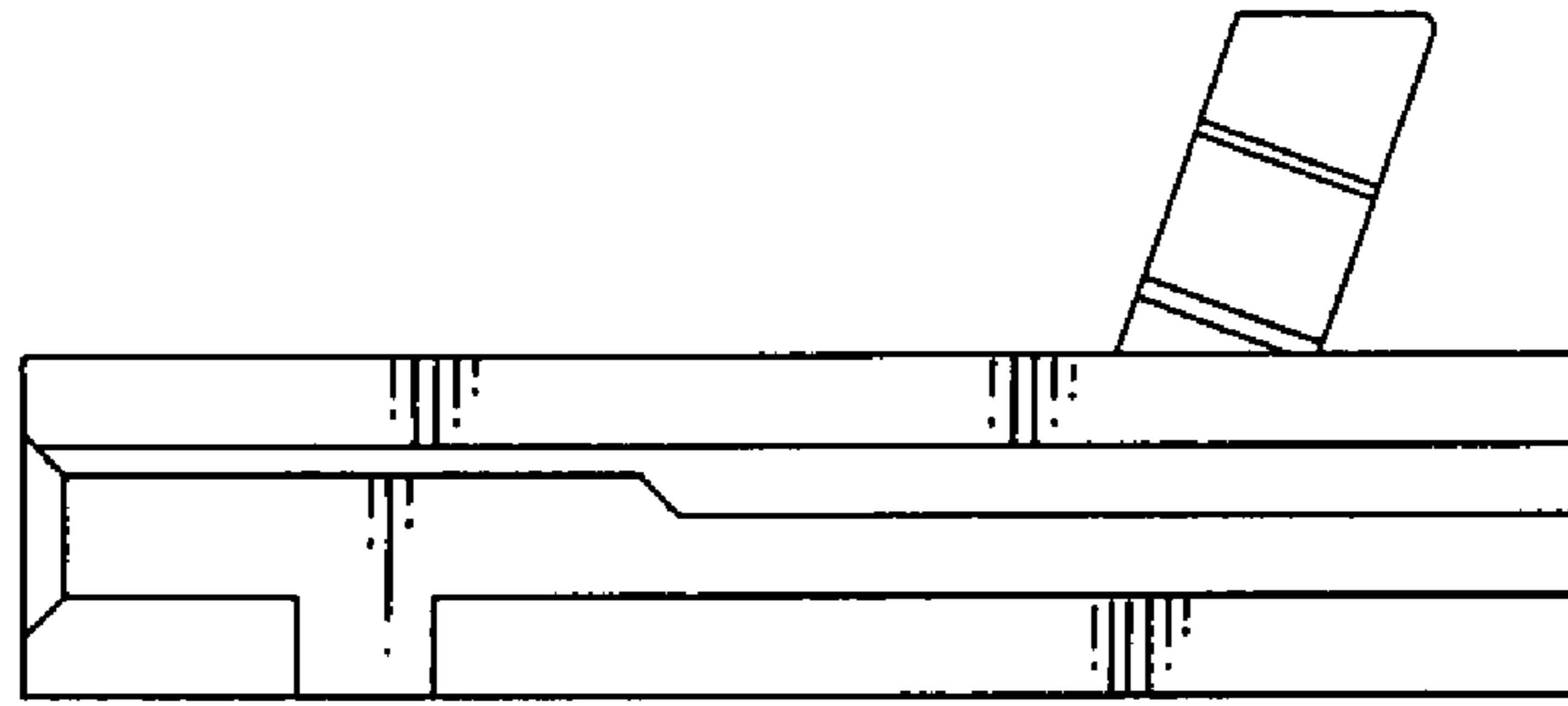


FIG. 5

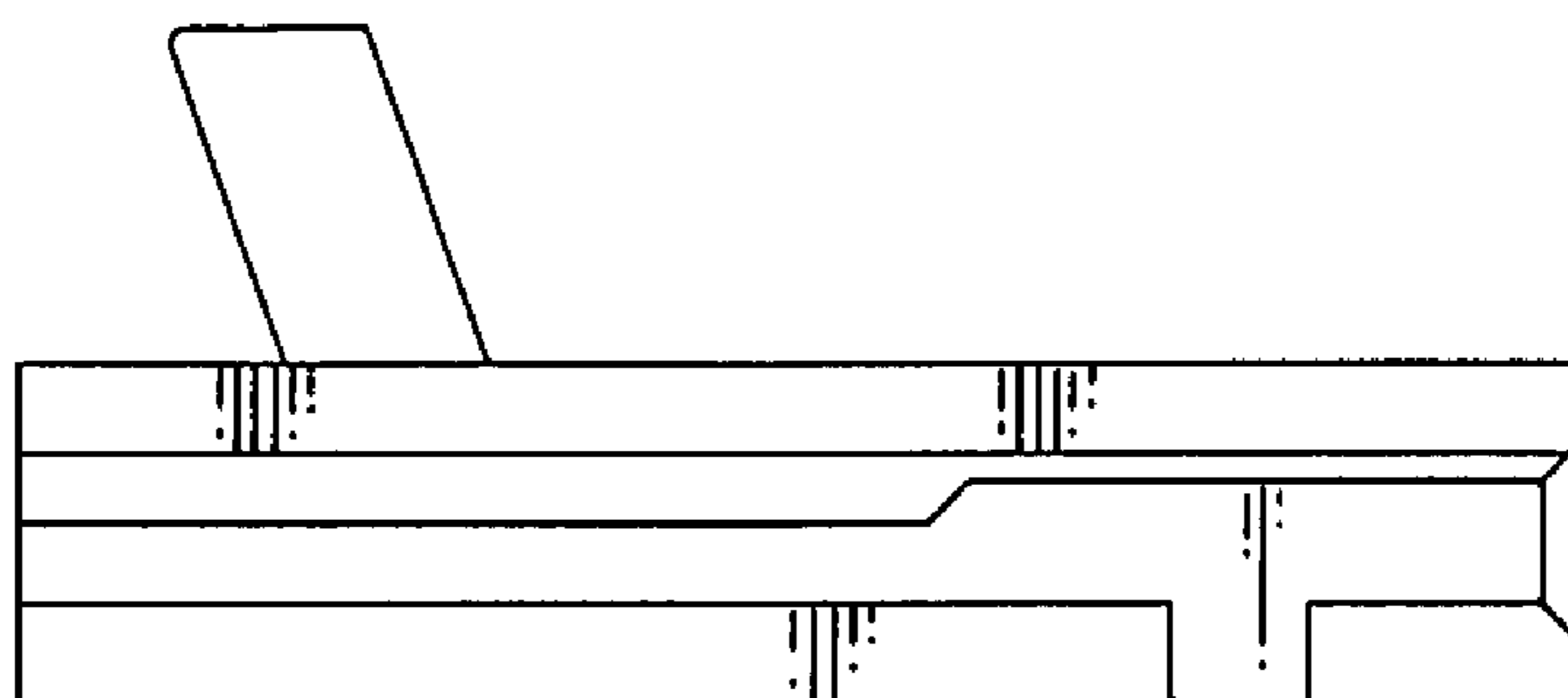


FIG. 6

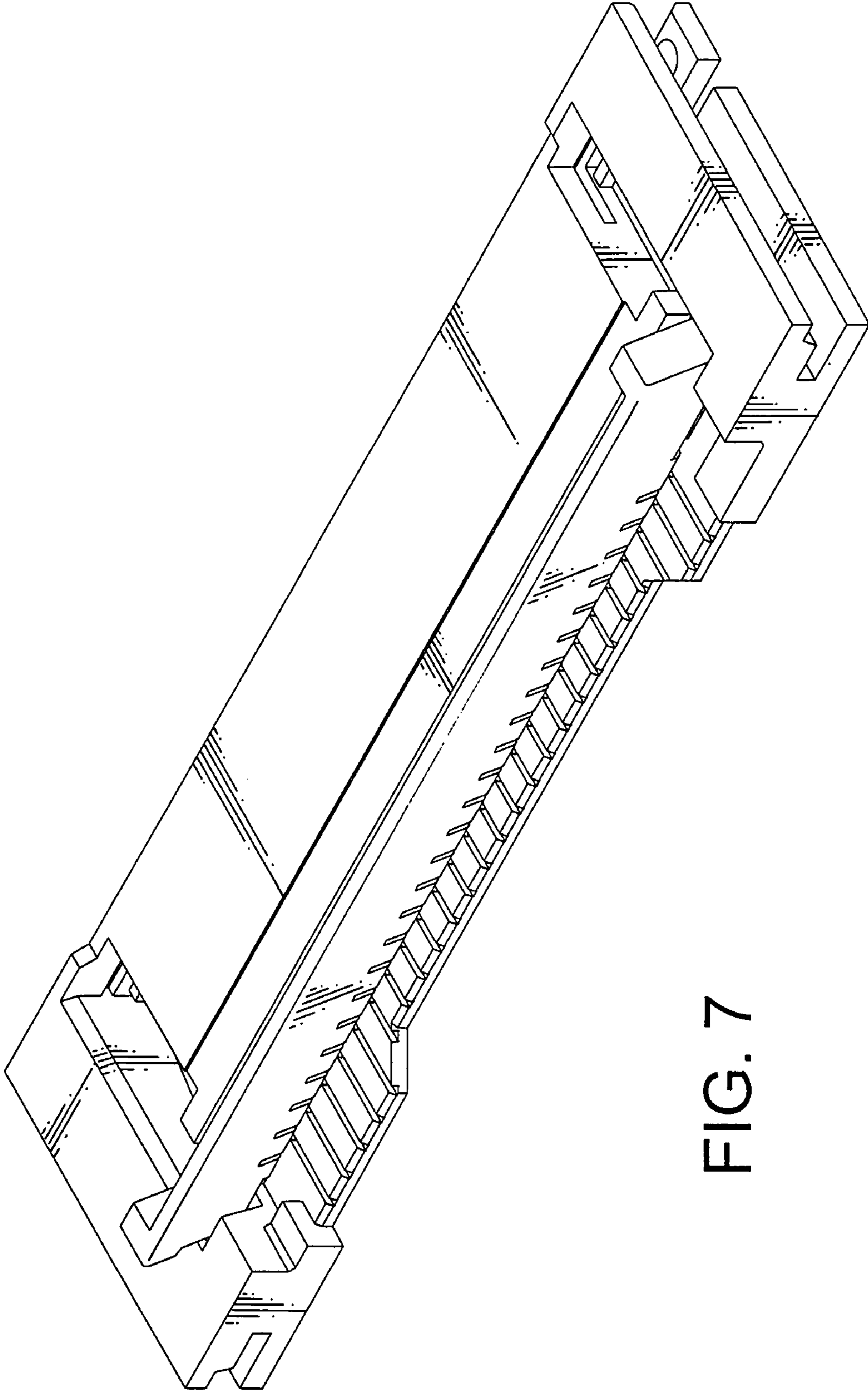


FIG. 7

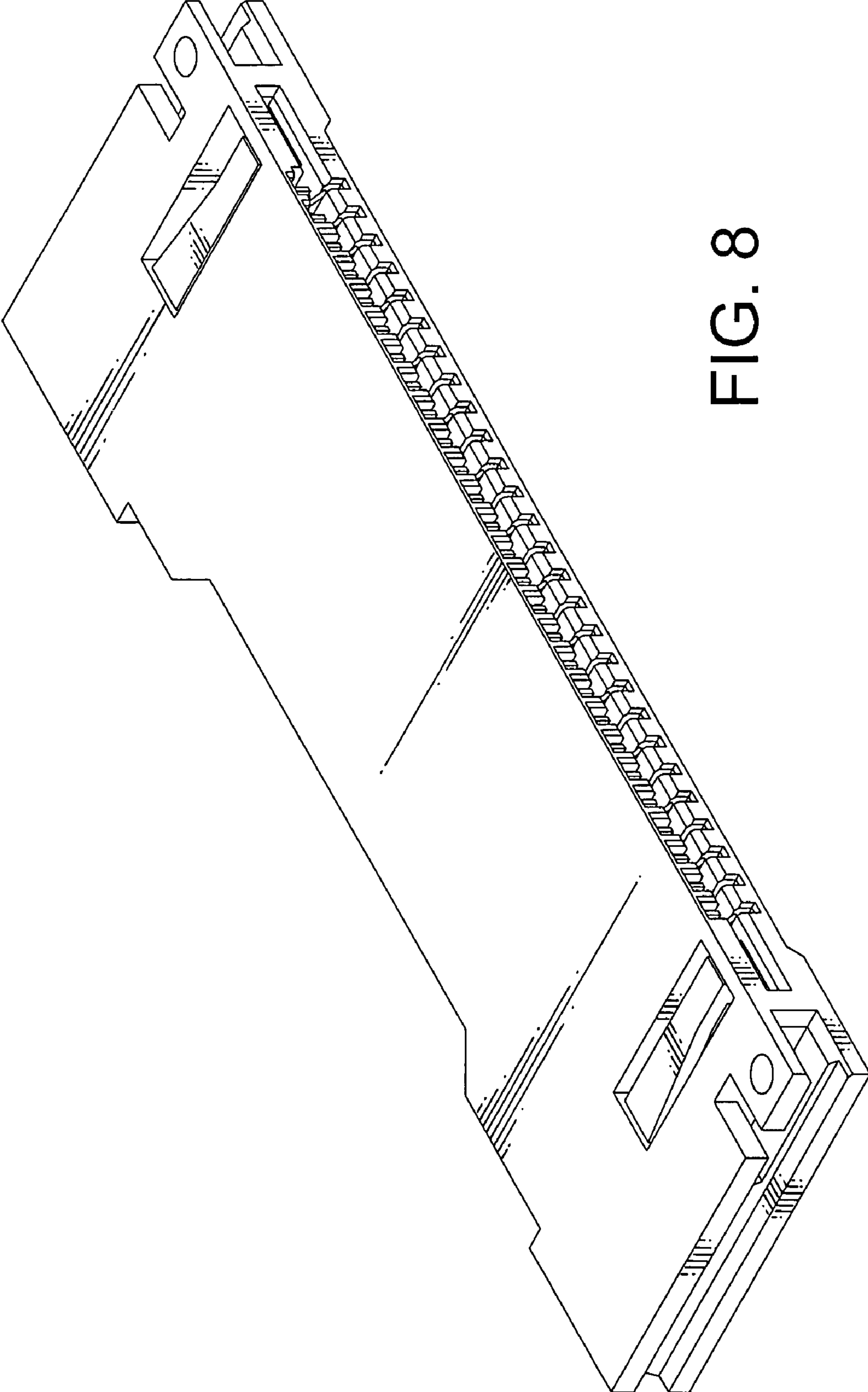


FIG. 8

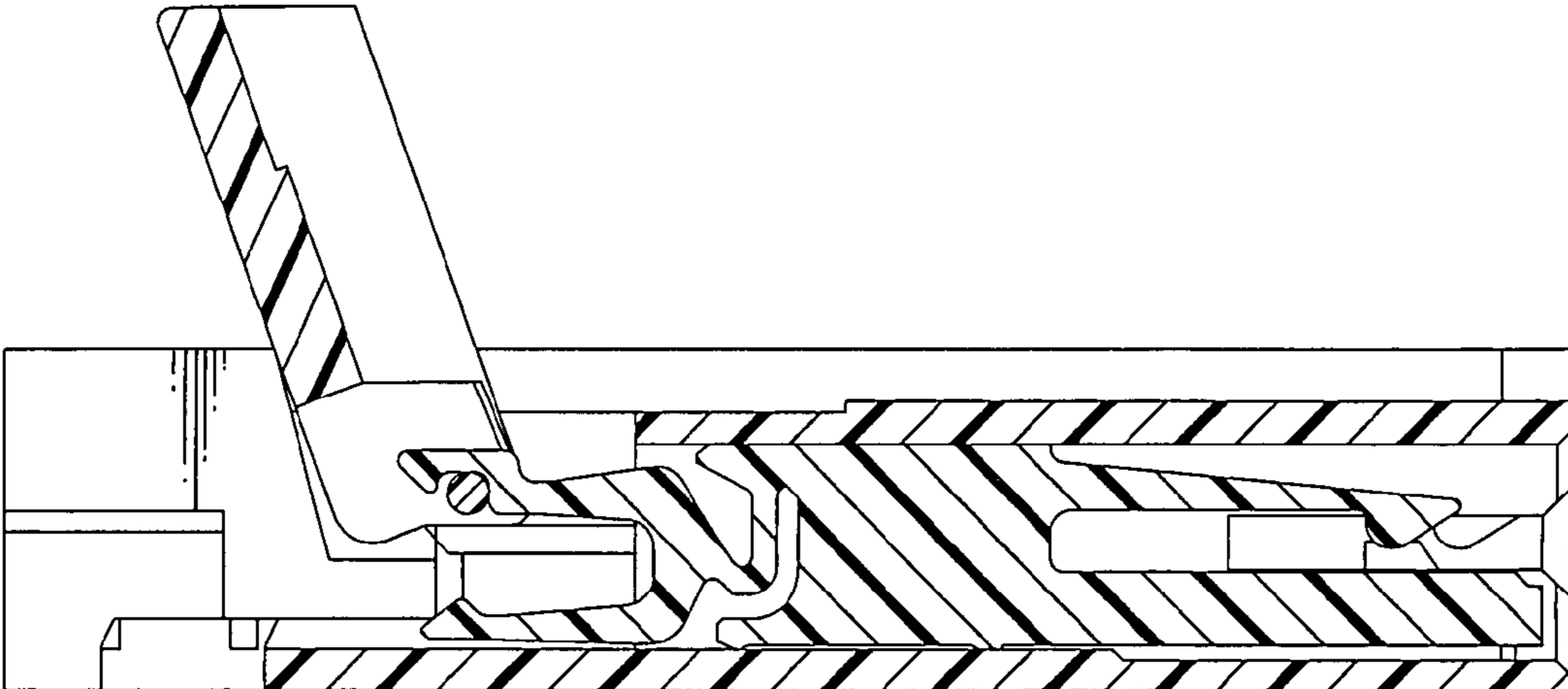


FIG. 9

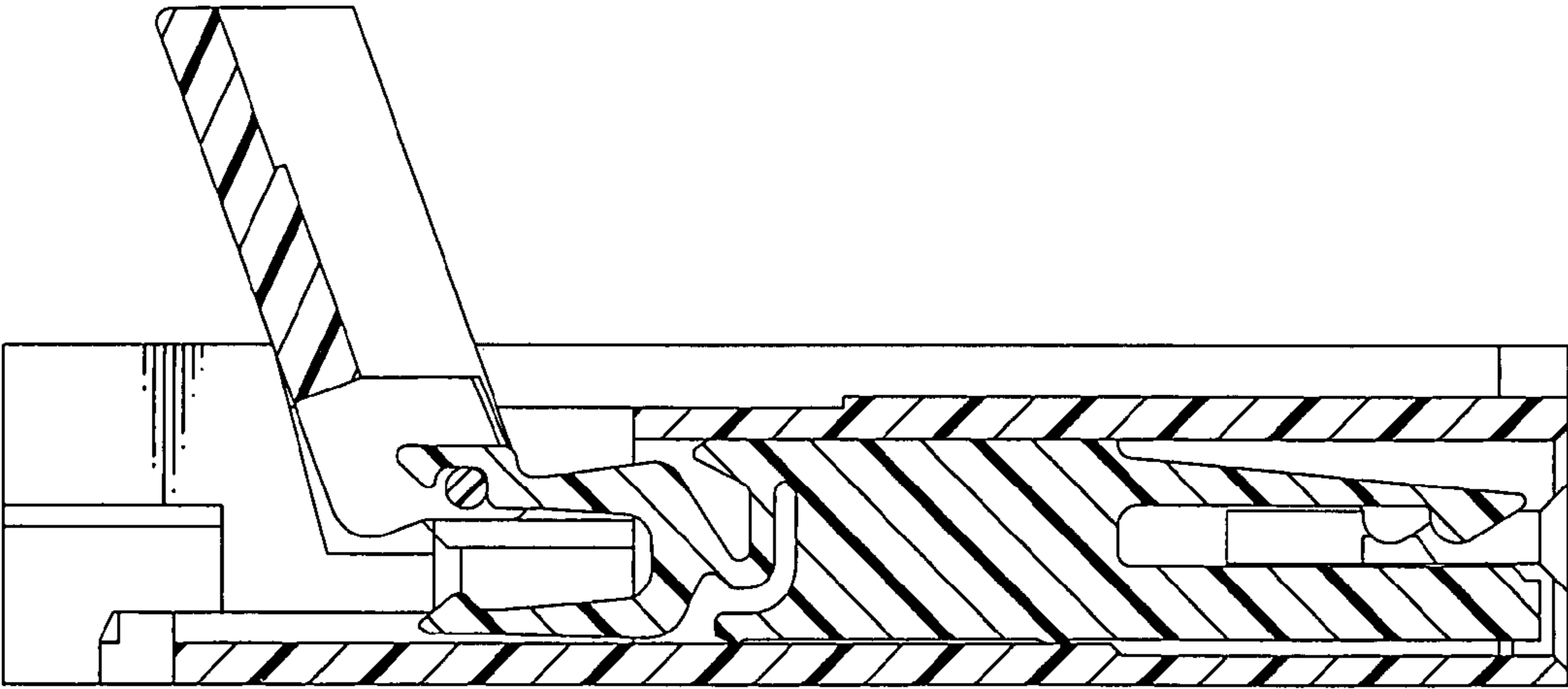


FIG. 10