

US00D561697S

(12) **United States Design Patent**
Chen et al.

(10) **Patent No.:** **US D561,697 S**
(45) **Date of Patent:** **** Feb. 12, 2008**

(54) **BOARD TO BOARD RECEPTACLE CONNECTOR**

(75) Inventors: **Chung Yu Chen**, Tu-Cheng (TW); **Mei Chuan Yang**, Tu-Cheng (TW); **Chung Hsin Huang**, Tu-Cheng (TW)

(73) Assignee: **Cheng Uei Precision Industry Co., Ltd.**, Taipei Hsien (TW)

(**) Term: **14 Years**

(21) Appl. No.: **29/274,022**

(22) Filed: **Mar. 21, 2007**

(51) **LOC (8) Cl.** **13-03**

(52) **U.S. Cl.** **D13/147**

(58) **Field of Classification Search** D13/133,
D13/146-147, 154, 184; D14/432-433,
D14/435-436, 438; 439/64, 79, 108, 260,
439/159-160, 325-326, 329, 394-395, 607-610,
439/629-630

See application file for complete search history.

(56) **References Cited**

U.S. PATENT DOCUMENTS

D453,734 S * 2/2002 Shimoyama et al. D13/147
D501,448 S * 2/2005 Ishikawa D13/147
7,070,423 B2 * 7/2006 Zhang et al. 439/74

D539,225 S * 3/2007 Kishi et al. D13/147
D539,227 S * 3/2007 Yamada et al. D13/147
D544,447 S * 6/2007 Peng et al. D13/147
2005/0032400 A1 * 2/2005 Zhang et al. 439/74
2007/0020966 A1 * 1/2007 Lee et al. 439/74

* cited by examiner

Primary Examiner—Daniel Bui
(74) *Attorney, Agent, or Firm*—Rosenberg, Klein & Lee

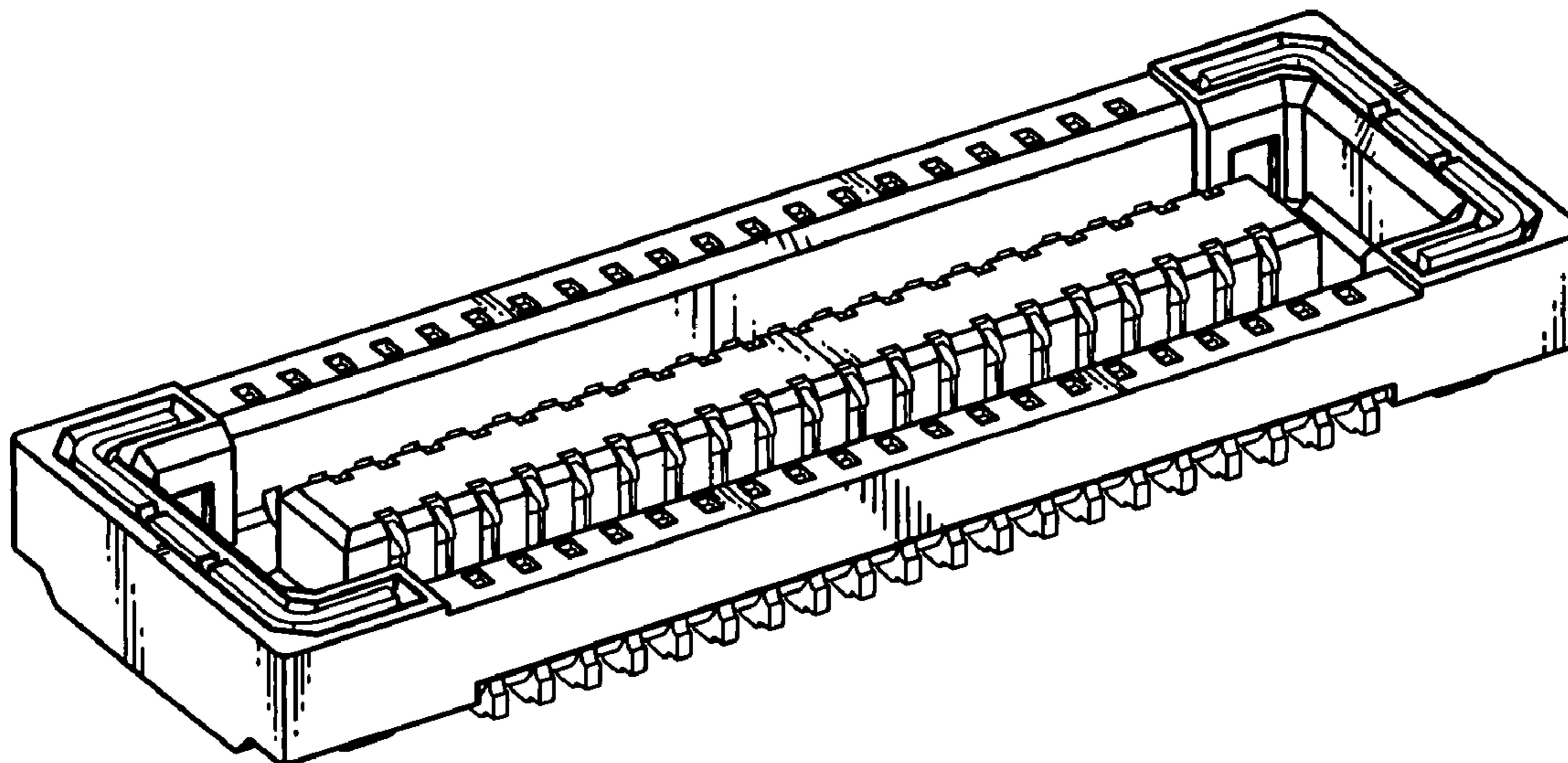
(57) **CLAIM**

The ornamental design for a board to board receptacle connector, as shown and described.

DESCRIPTION

FIG. 1 is a top, front, right-side perspective view of a board to board receptacle connector showing our new design; FIG. 2 is a front elevational view thereof; FIG. 3 is a rear elevational view thereof; FIG. 4 is a left side elevational view thereof; FIG. 5 is a right side elevational view thereof; FIG. 6 is a top plan view thereof; FIG. 7 is a bottom plan view thereof; and, FIG. 8 is a bottom, front, right-side perspective view thereof.

1 Claim, 8 Drawing Sheets



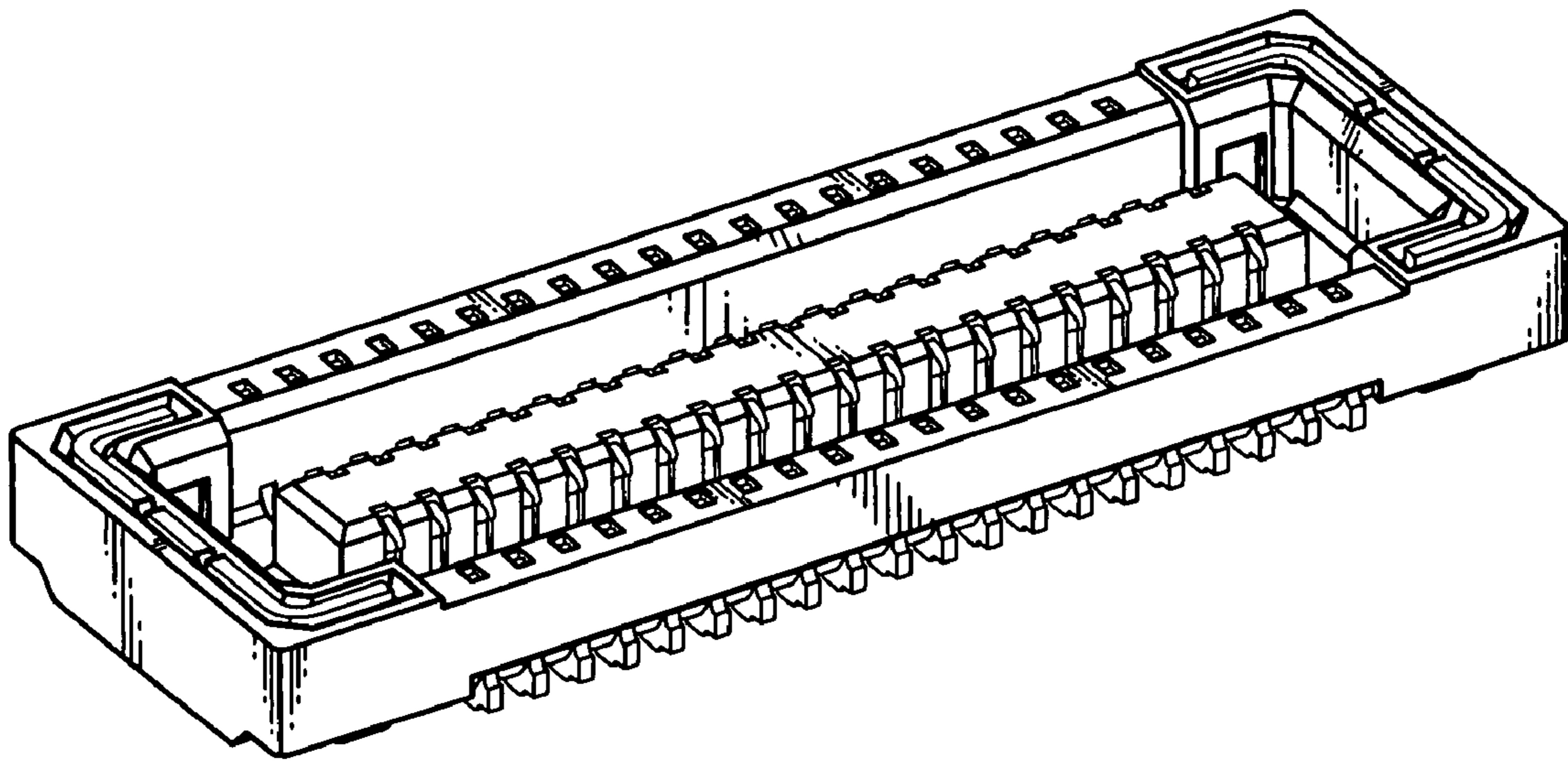


FIG. 1

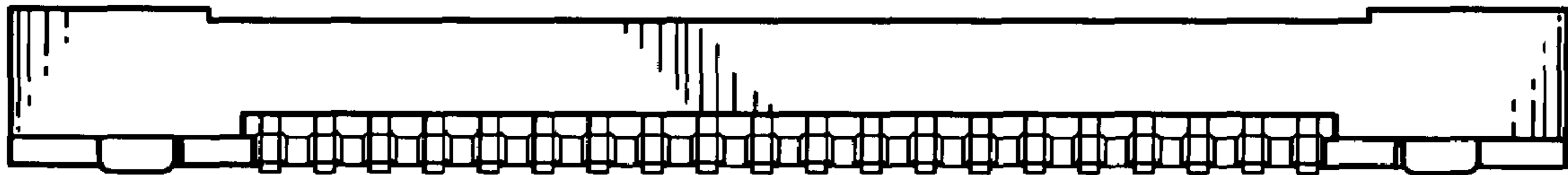


FIG. 2



FIG. 3

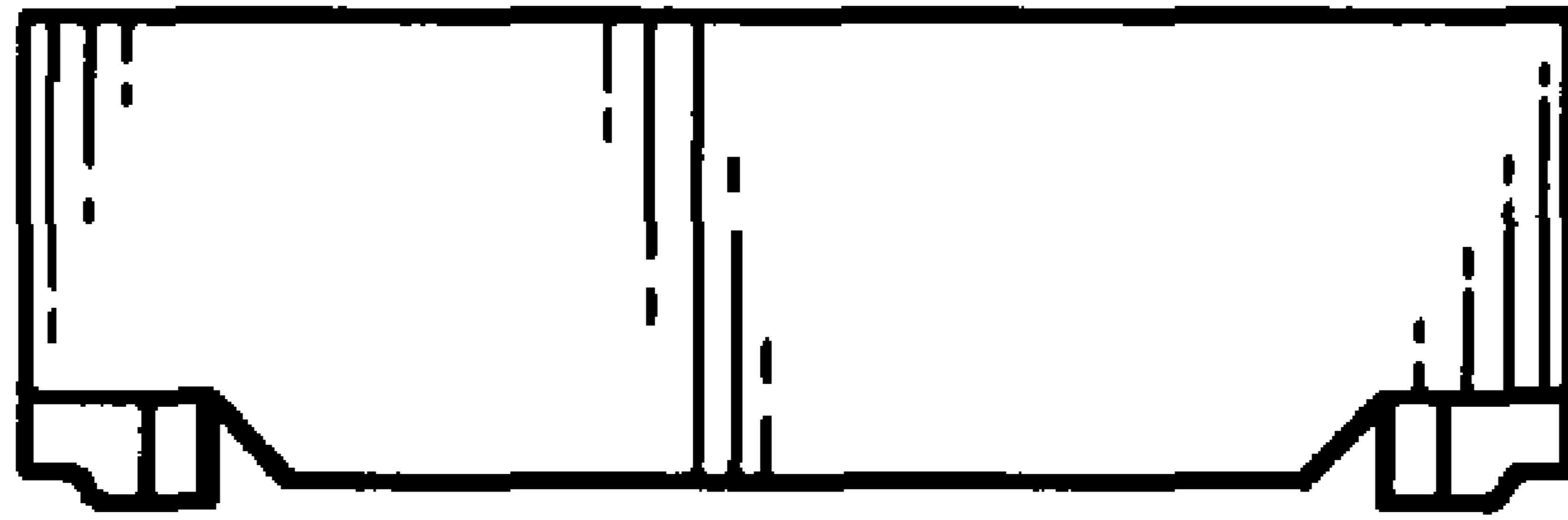


FIG. 4

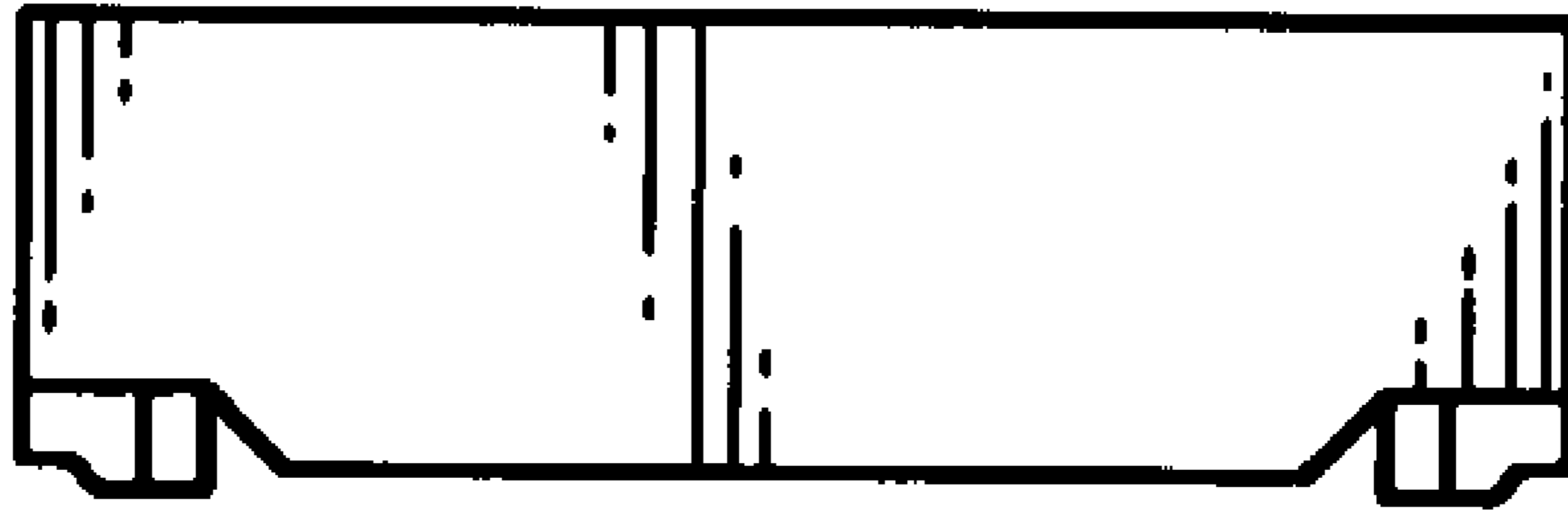


FIG. 5

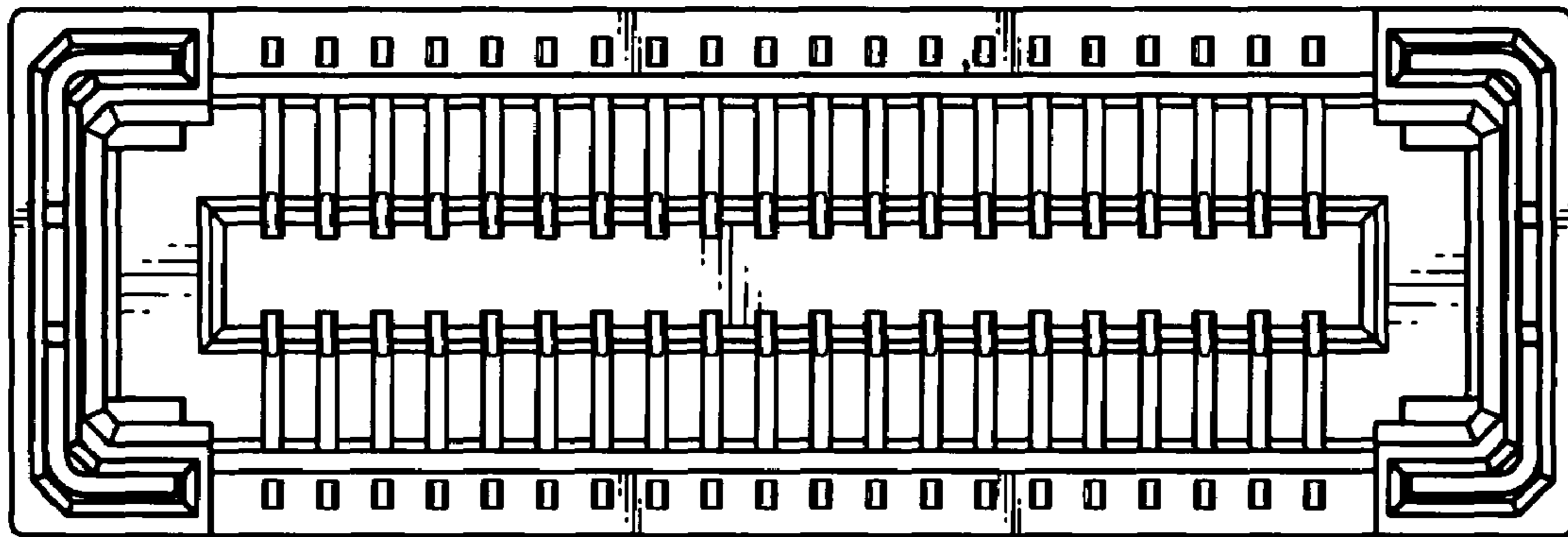


FIG. 6

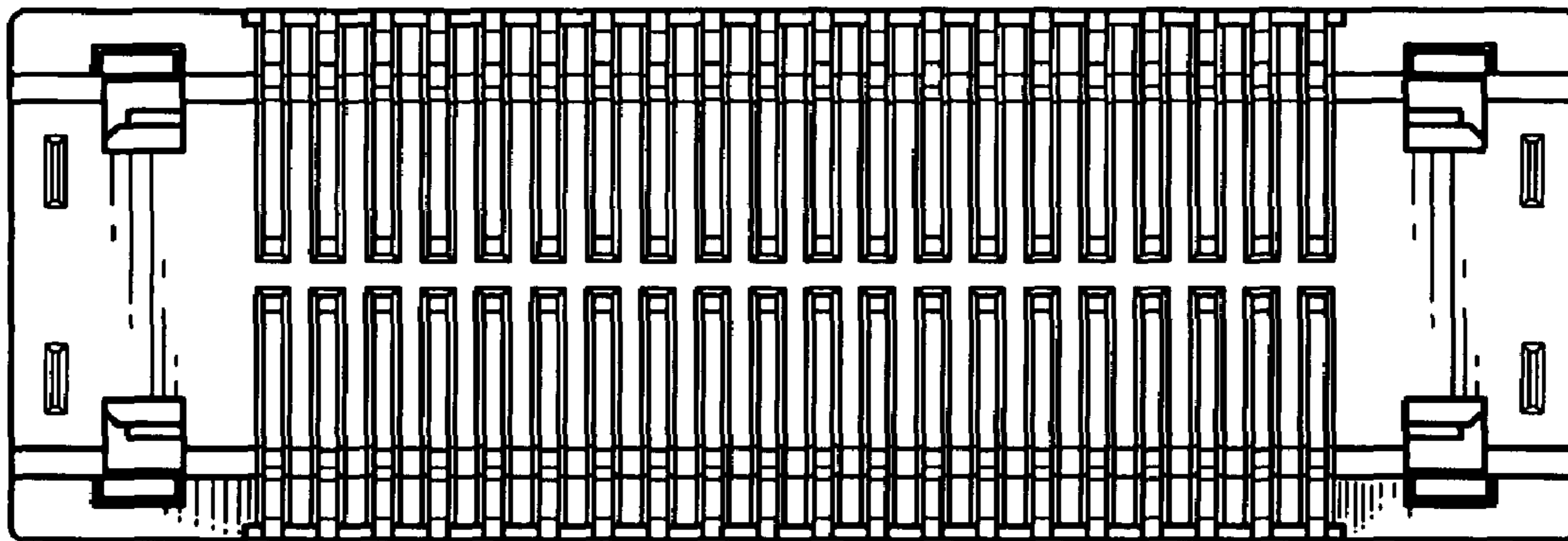


FIG. 7

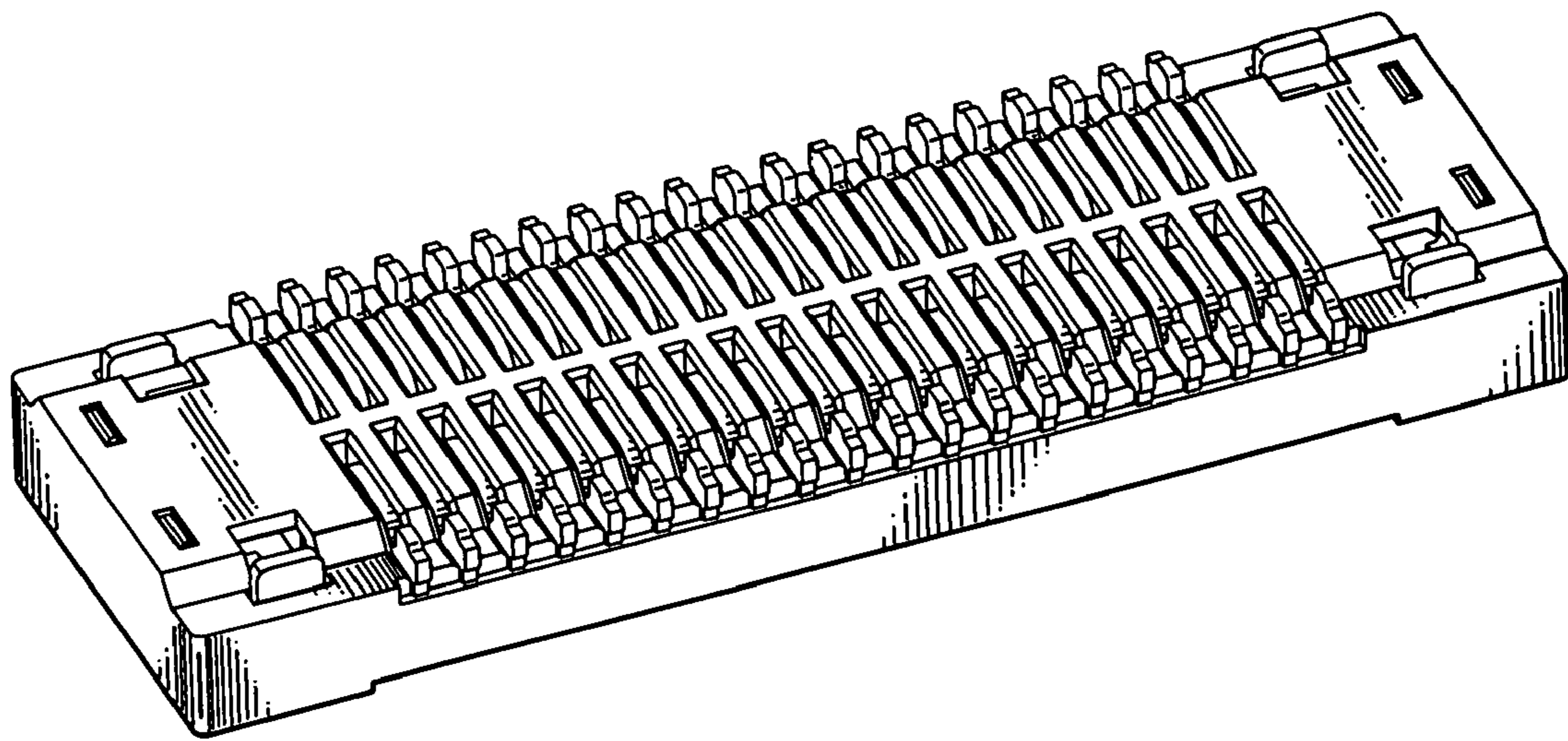


FIG. 8