



US00D561694S

(12) **United States Design Patent**  
**Lam**

(10) **Patent No.:** **US D561,694 S**

(45) **Date of Patent:** **\*\* Feb. 12, 2008**

(54) **POWER ADAPTER**

(76) Inventor: **Khanh Lam**, 10513 E. Fieldcrest St.,  
El Monte, CA (US) 91731

(\*\*) Term: **14 Years**

(21) Appl. No.: **29/272,223**

(22) Filed: **Feb. 2, 2007**

(51) **LOC (8) Cl.** ..... **13-02**

(52) **U.S. Cl.** ..... **D13/137.1; D13/110**

(58) **Field of Classification Search** ..... D13/107,  
D13/108, 110, 133, 137.1–137.3, 139.1, 139.3,  
D13/184; D14/433; 174/53–58, 66; 439/105–107,  
439/535, 650–655, 692

See application file for complete search history.

(56) **References Cited**

**U.S. PATENT DOCUMENTS**

D314,077 S *	1/1991	Judd et al. ....	D13/160
D342,581 S *	12/1993	Reynolds .....	D26/26
D352,667 S *	11/1994	Chen .....	D10/40
D394,641 S *	5/1998	Seragnoli .....	D13/108
D401,219 S *	11/1998	Stekelenburg .....	D13/137.2
D428,862 S *	8/2000	Queffelec et al. ....	D13/184
D432,990 S *	10/2000	Stekelenburg .....	D13/137.3
D446,185 S *	8/2001	Saastamoinen et al. ....	D13/108

D481,674 S *	11/2003	Sade et al. ....	D13/108
D486,450 S *	2/2004	Stekelenburg .....	D13/137.3
D512,963 S *	12/2005	Lee .....	D13/137.2
D520,451 S *	5/2006	Stekelenburg .....	D13/137.3
D547,271 S *	7/2007	Ng .....	D13/137.1

\* cited by examiner

*Primary Examiner*—Cathron Brooks  
*Assistant Examiner*—Rosemary K Tarcza  
(74) *Attorney, Agent, or Firm*—Eric Karich

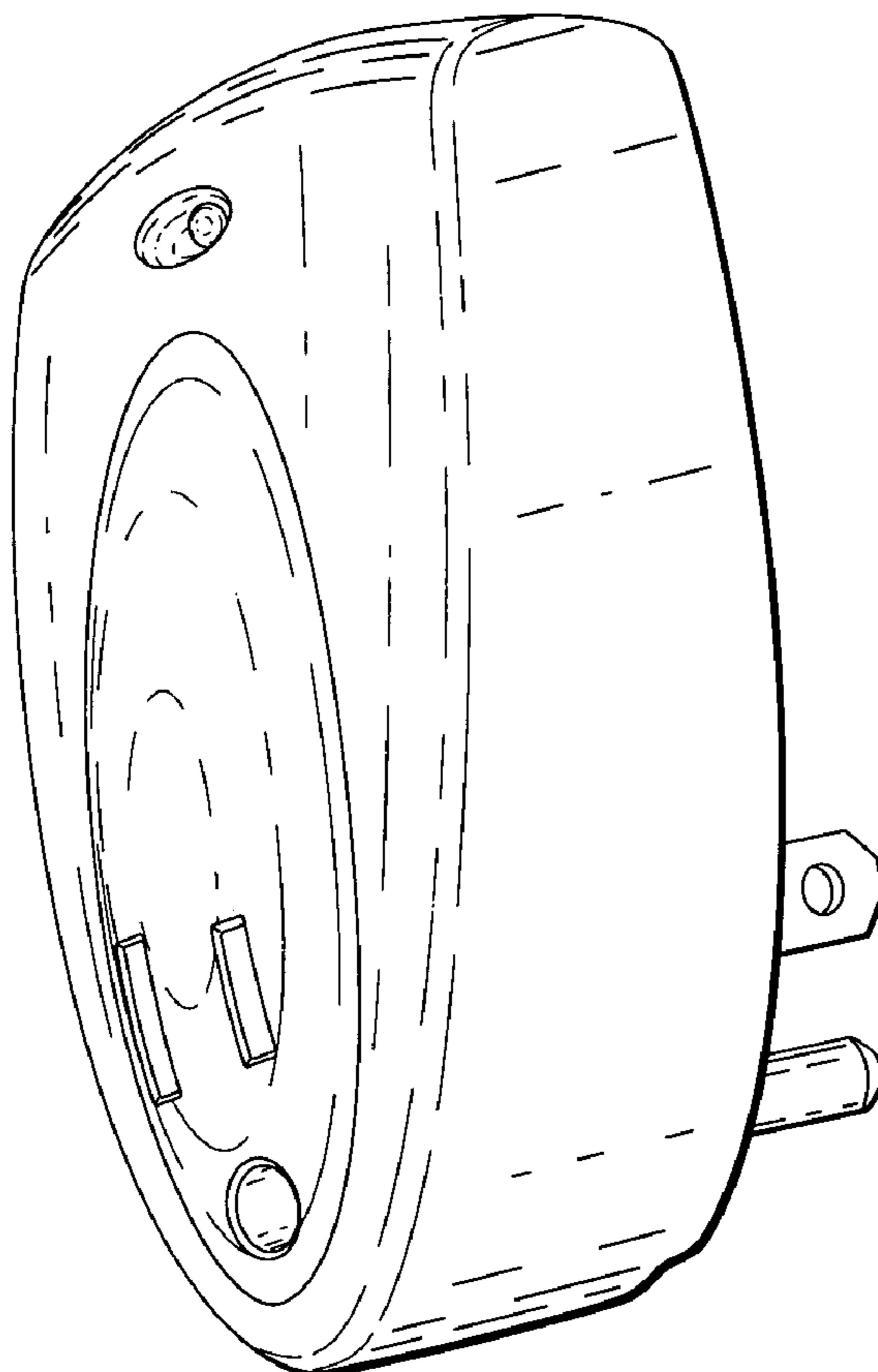
(57) **CLAIM**

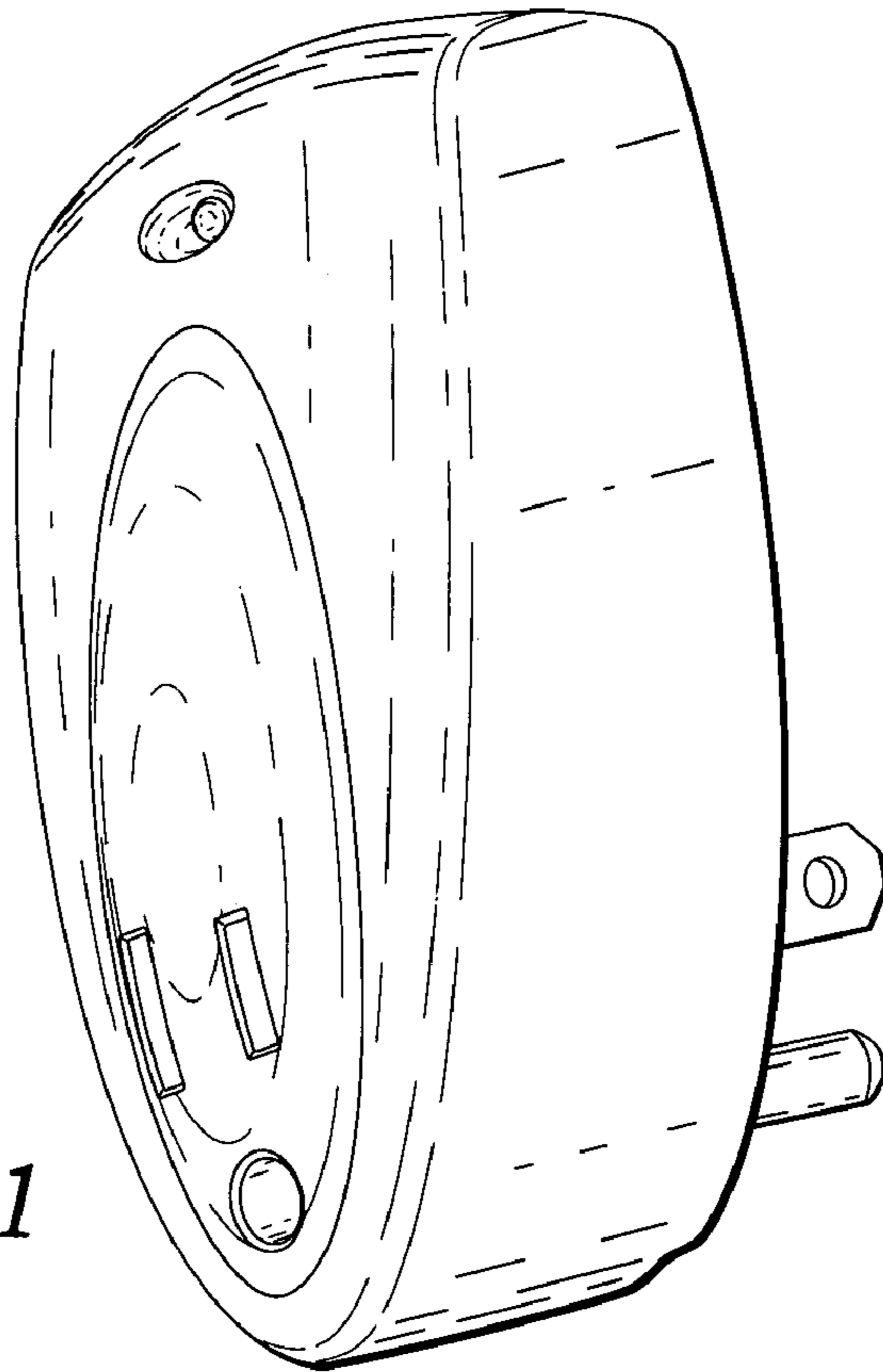
The ornamental design for a “power adapter,” as shown and described.

**DESCRIPTION**

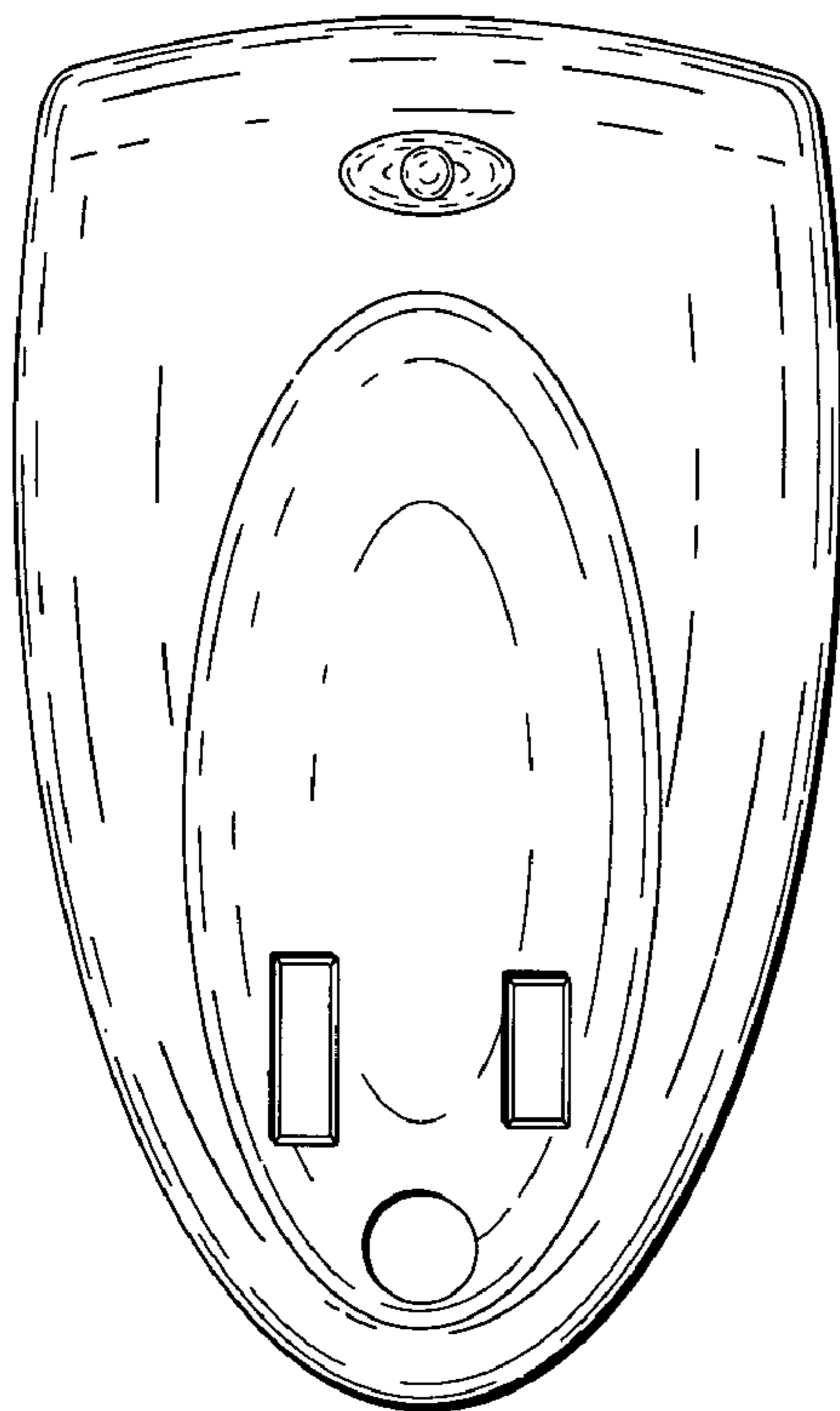
FIG. 1 is a perspective view of a power adapter, showing my new design;  
FIG. 2 is a front elevational view thereof;  
FIG. 3 is a rear elevational view thereof;  
FIG. 4 is a left side elevational view thereof  
FIG. 5 is a right side elevational view thereof;  
FIG. 6 is a top plan view thereof; and,  
FIG. 7 is a bottom plan view thereof.

**1 Claim, 2 Drawing Sheets**

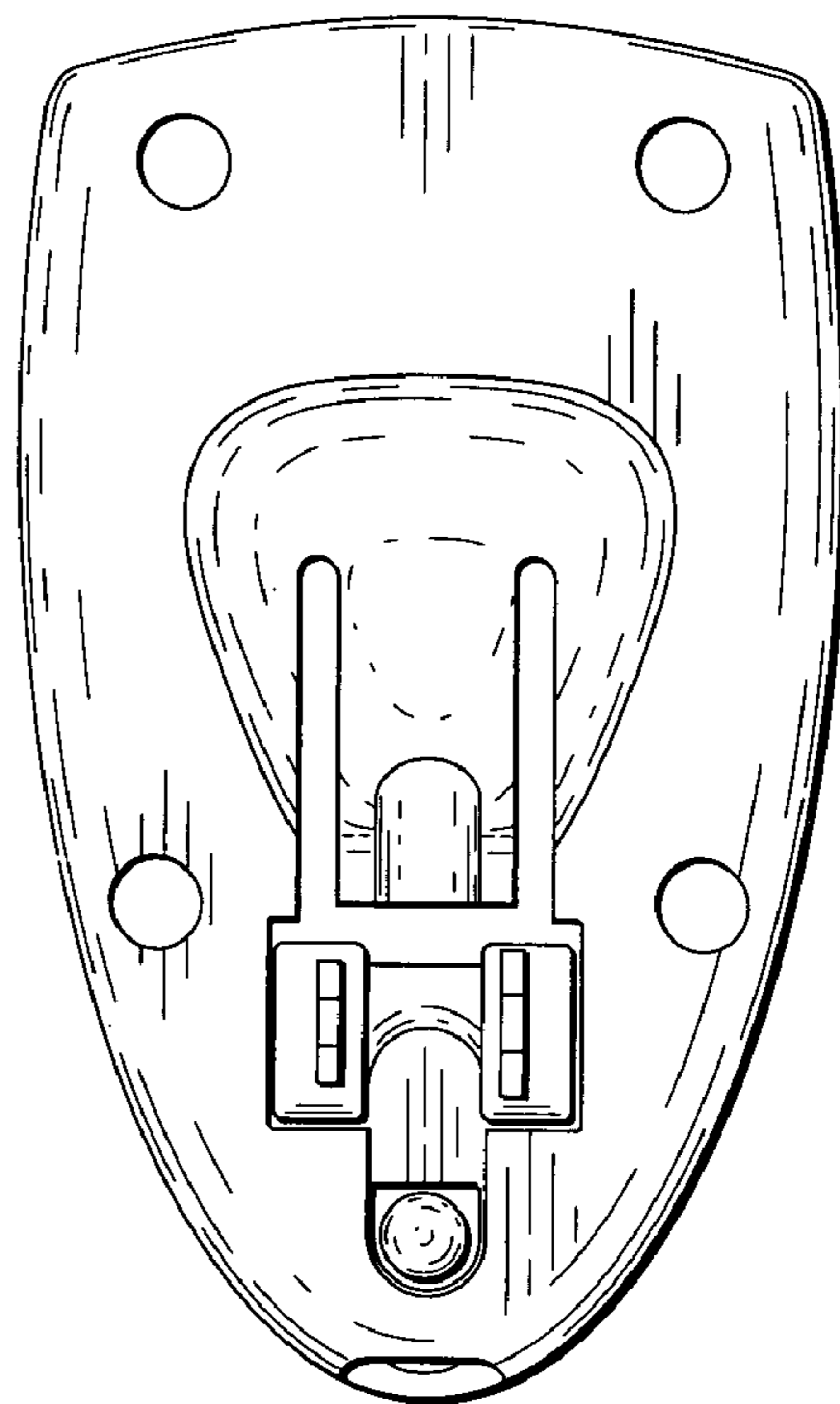




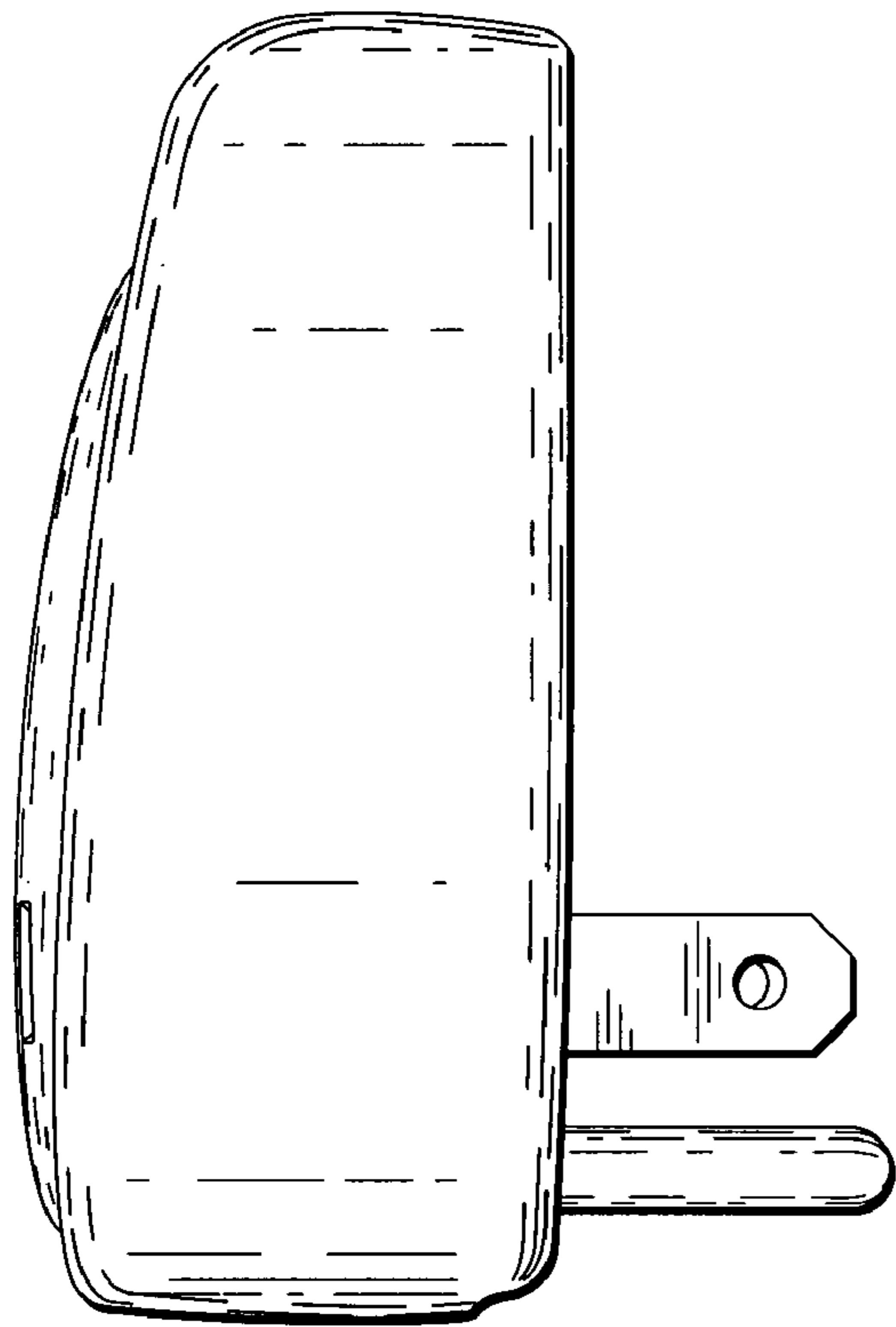
*Fig. 1*



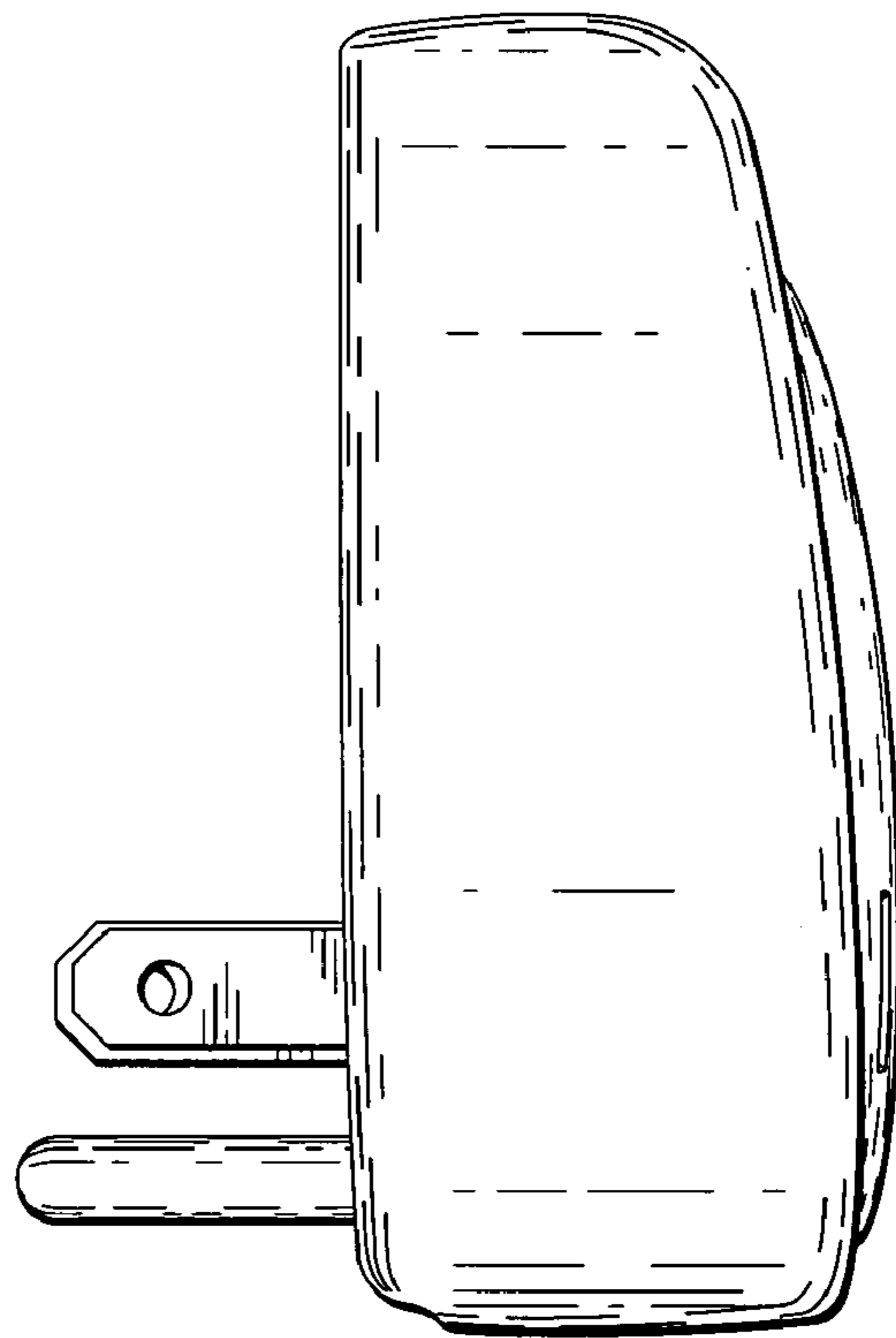
*Fig. 2*



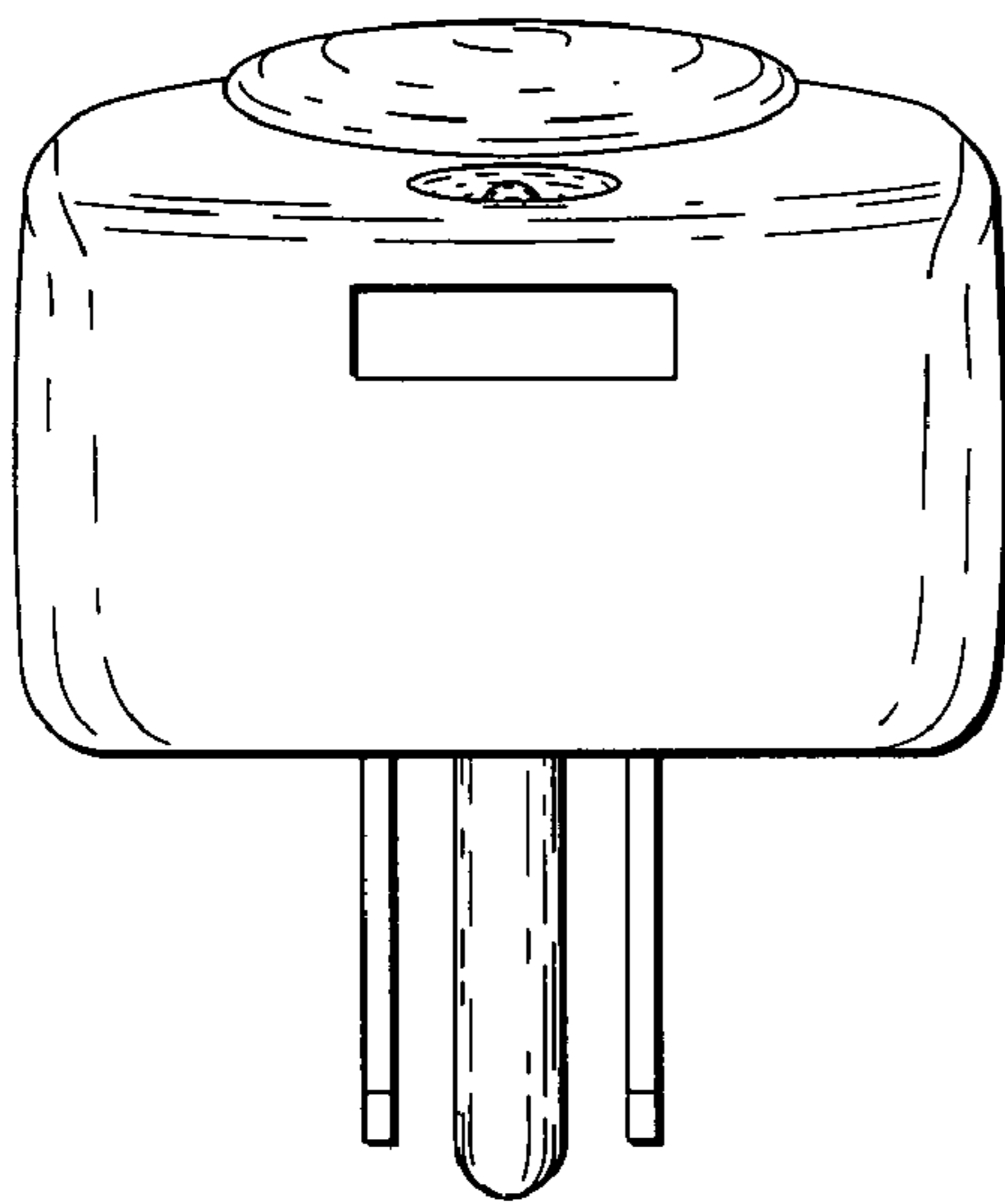
*Fig. 3*



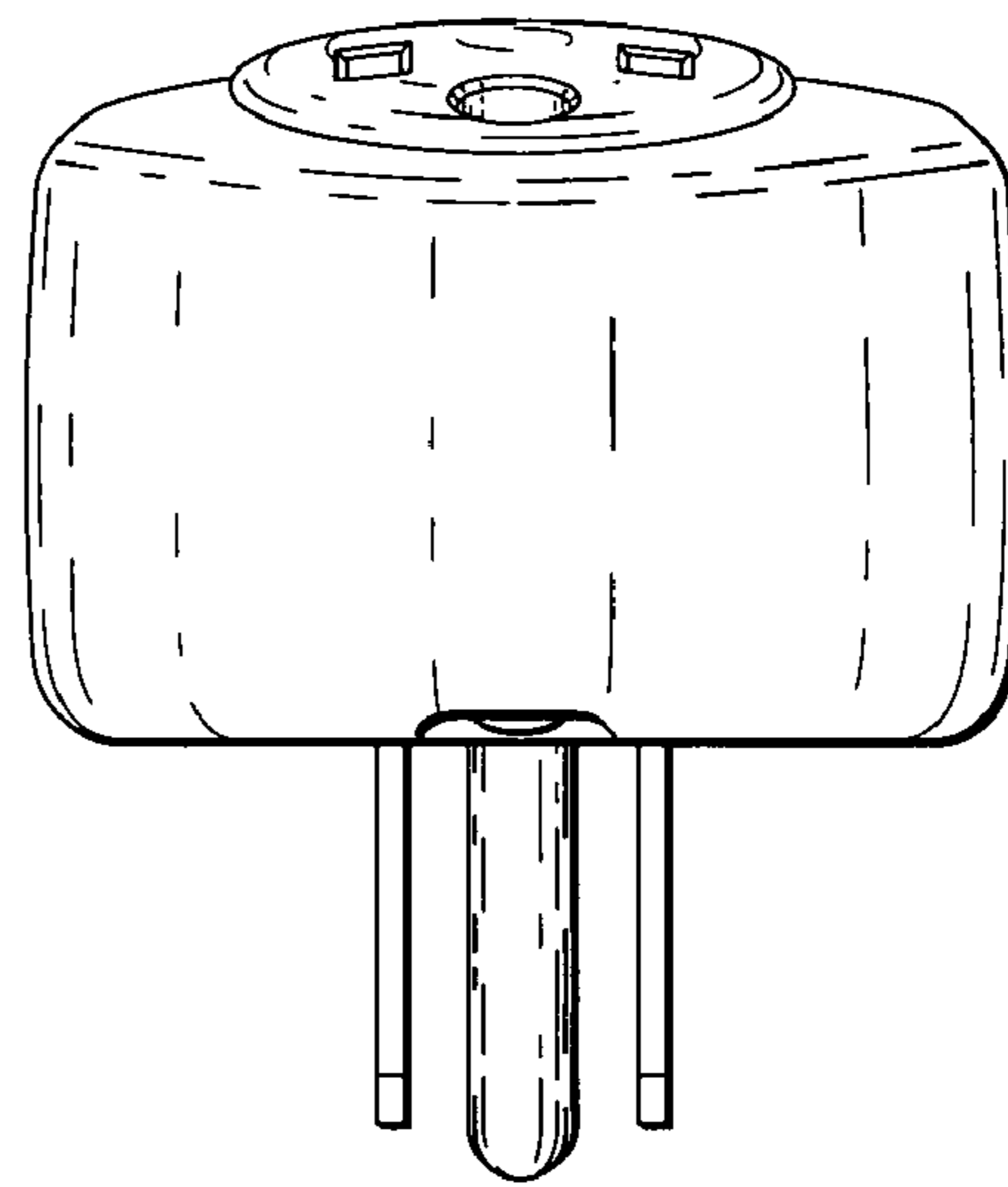
*Fig. 4*



*Fig. 5*



*Fig. 6*



*Fig. 7*