

US00D561690S

(12) **United States Design Patent**  
**Schaap et al.**

(10) **Patent No.:** **US D561,690 S**

(45) **Date of Patent:** **\*\* Feb. 12, 2008**

(54) **WINDMILL**

(75) Inventors: **Anton Schaap**, Hilversum (NL); **Iwan van Bochove**, Amersfoort (NL)

(73) Assignee: **Econcern B.V.**, Utrecht (NL)

(\*\*) Term: **14 Years**

(21) Appl. No.: **29/278,409**

(22) Filed: **Mar. 28, 2007**

(30) **Foreign Application Priority Data**

Sep. 29, 2006 (EM) ..... 000597901-0001

(51) **LOC (8) Cl.** ..... **13-01**

(52) **U.S. Cl.** ..... **D13/118**

(58) **Field of Classification Search** ..... D13/118,  
D13/101, 102, 115, 199; D15/199; D21/458;  
52/40; 416/17, 23, 24, 31, 37, 38, 132 R,  
416/142

See application file for complete search history.

(56) **References Cited**

**U.S. PATENT DOCUMENTS**

4,003,676 A \* 1/1977 Sweeney et al. .... 416/132 B

D252,572 S \* 8/1979 Hanson ..... D15/1  
D437,894 S \* 2/2001 Johann ..... D21/458  
D465,450 S \* 11/2002 Armanno ..... D13/102  
D508,893 S \* 8/2005 Kato et al. .... D13/115  
2003/0123973 A1\* 7/2003 Murakami ..... 415/4.1

\* cited by examiner

*Primary Examiner*—Prabhakar Deshmukh

*Assistant Examiner*—Derrick Holland

(74) *Attorney, Agent, or Firm*—Milde & Hoffberg LLP

(57) **CLAIM**

The ornamental design for windmill, as shown and described.

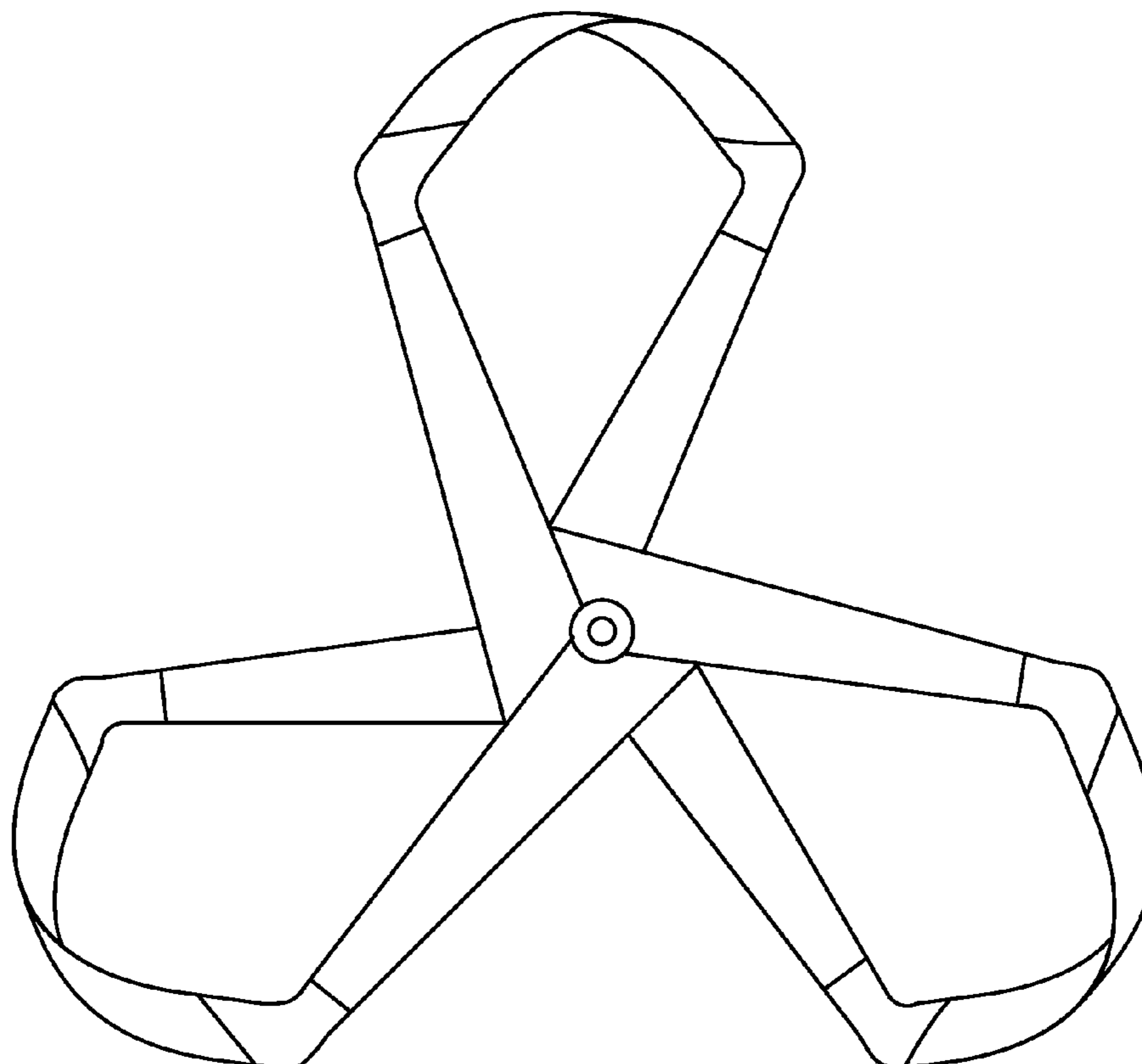
**DESCRIPTION**

FIG. 1 is a front view of a windmill showing our new design;

FIG. 2 is a side elevation view thereof; and,

FIG. 3 is another side elevation view thereof.

**1 Claim, 3 Drawing Sheets**



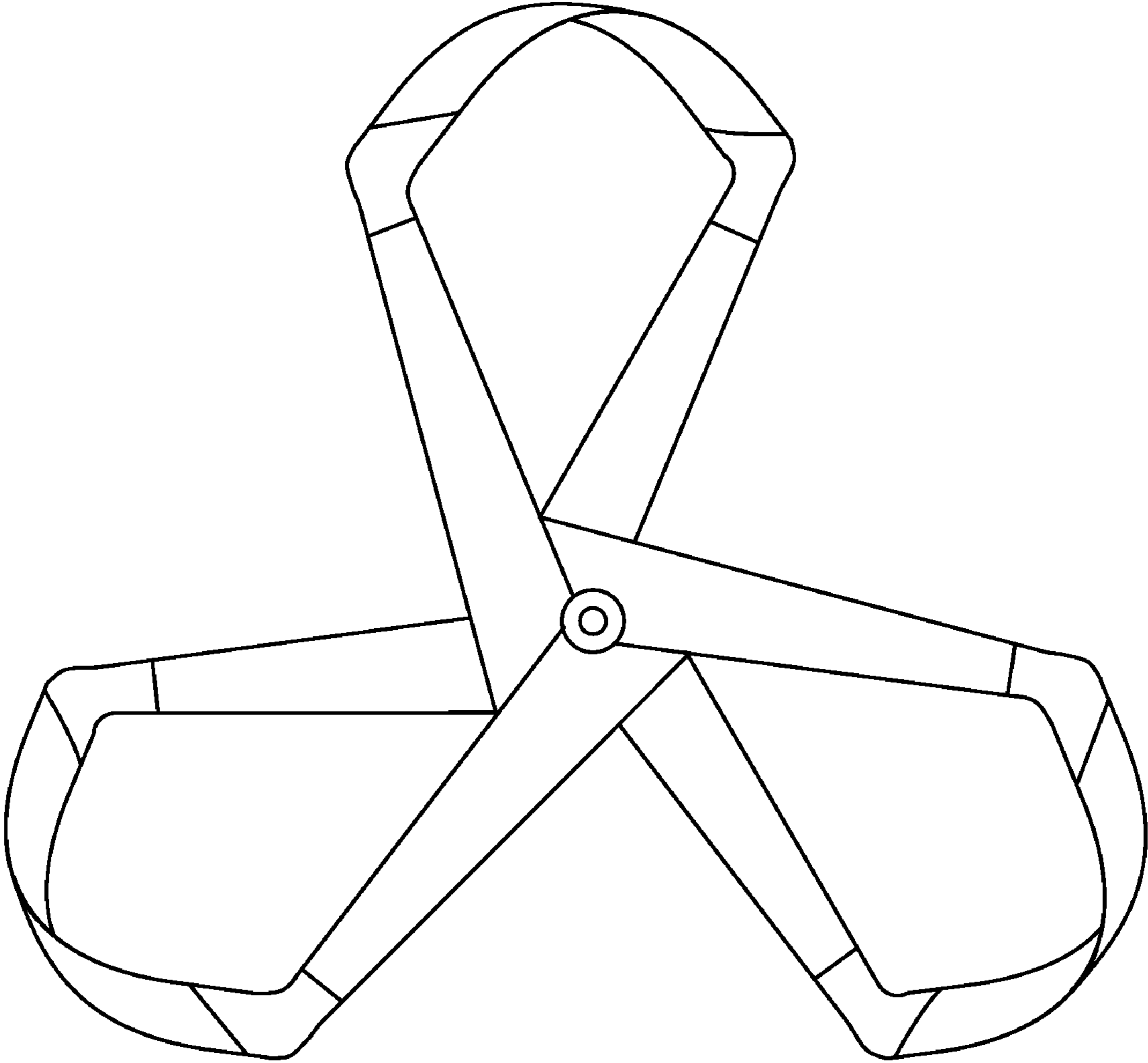


Fig. 1

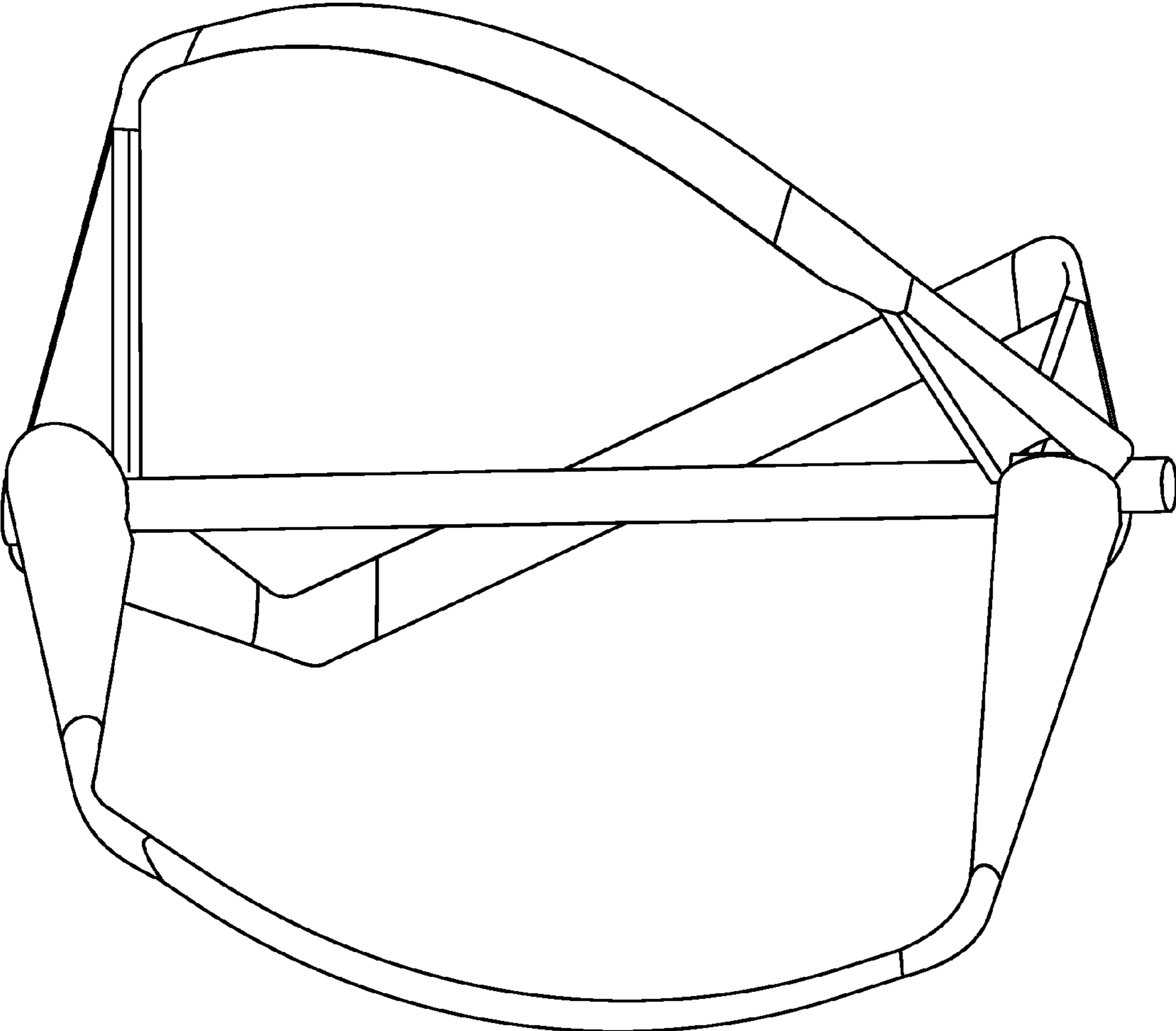


Fig. 2

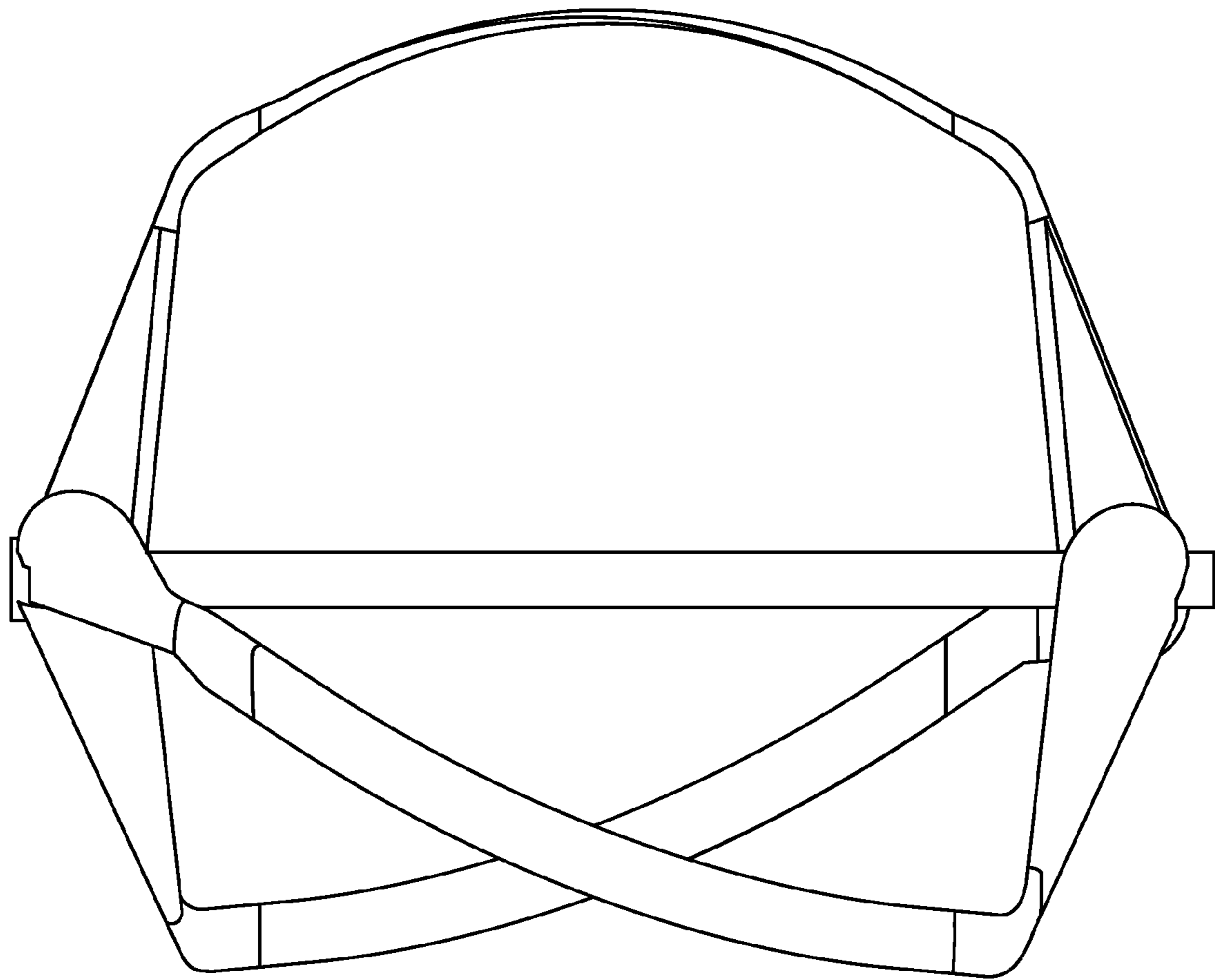


Fig. 3