



US00D561689S

(12) **United States Design Patent**
Nakamura et al.

(10) **Patent No.:** **US D561,689 S**
(45) **Date of Patent:** **** Feb. 12, 2008**

(54) **HIGH-VOLTAGE ELECTROSTATIC GENERATOR FOR LABORATORY USE**

(75) Inventors: **Hisayoshi Nakamura**, Tokyo (JP);
Shigeki Tokita, Tokyo (JP)

(73) Assignee: **Nakamura Scientific Co., Ltd.** (JP)

(**) Term: **14 Years**

(21) Appl. No.: **29/261,072**

(22) Filed: **Jun. 7, 2006**

(30) **Foreign Application Priority Data**

Dec. 13, 2005 (JP) 2005-036629

(51) **LOC (8) Cl.** **13-01**

(52) **U.S. Cl.** **D13/115**

(58) **Field of Classification Search** D13/115,
D13/112, 114, 199; 290/1 R; 310/75 B
See application file for complete search history.

(56) **References Cited**

U.S. PATENT DOCUMENTS

- D217,349 S * 4/1970 Mabuchi D13/115
- D217,673 S * 5/1970 Mabuchi D13/115
- 4,746,806 A * 5/1988 Campagnuolo et al. 290/1 R
- D420,975 S * 2/2000 Honda D13/115
- 6,034,492 A * 3/2000 Saito et al. 318/141

OTHER PUBLICATIONS

Gary W. Nahrstedt, "Adventures with the Genecon", Hand Operated Generator, Nada Manual 1989; pp. 1-4; 31.
Nakamura Scientific Equipment Catalogue, 1994, pp. 1-4, price list.

* cited by examiner

Primary Examiner—Prabhakar Deshmukh

Assistant Examiner—Derrick Holland

(74) *Attorney, Agent, or Firm*—DLA Piper US LLP

(57) **CLAIM**

The ornamental design for a high-voltage electrostatic generator for laboratory use, as shown and described.

DESCRIPTION

FIG. 1 is a front view of a high-voltage electrostatic generator for laboratory use showing our new design;

FIG. 2 is a back view thereof;

FIG. 3 is a top plan view thereof;

FIG. 4 is a bottom plan view thereof;

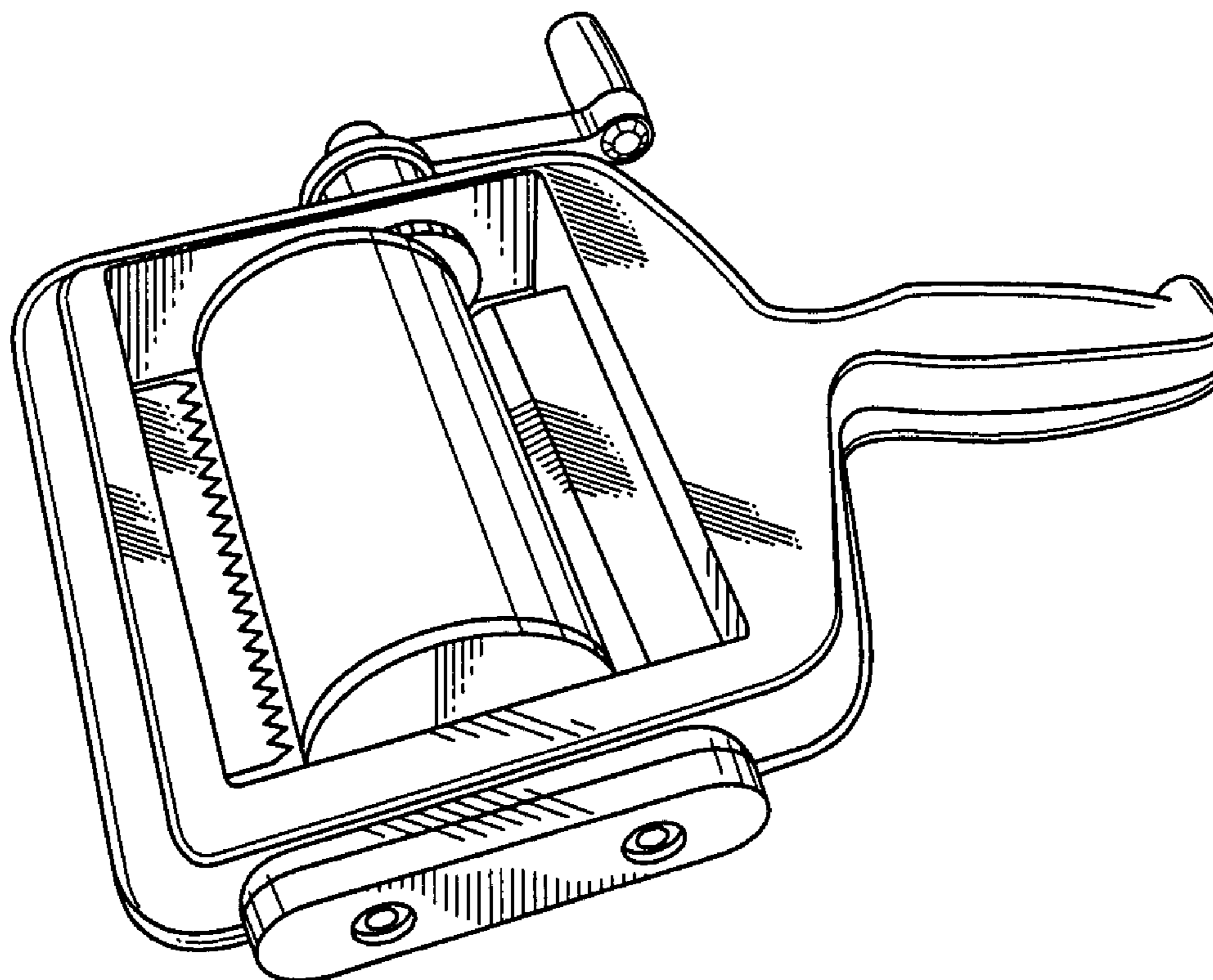
FIG. 5 is a left side view thereof;

FIG. 6 is a right side view thereof;

FIG. 7 is a perspective view thereof; and,

FIG. 8 is another perspective view thereof.

1 Claim, 6 Drawing Sheets



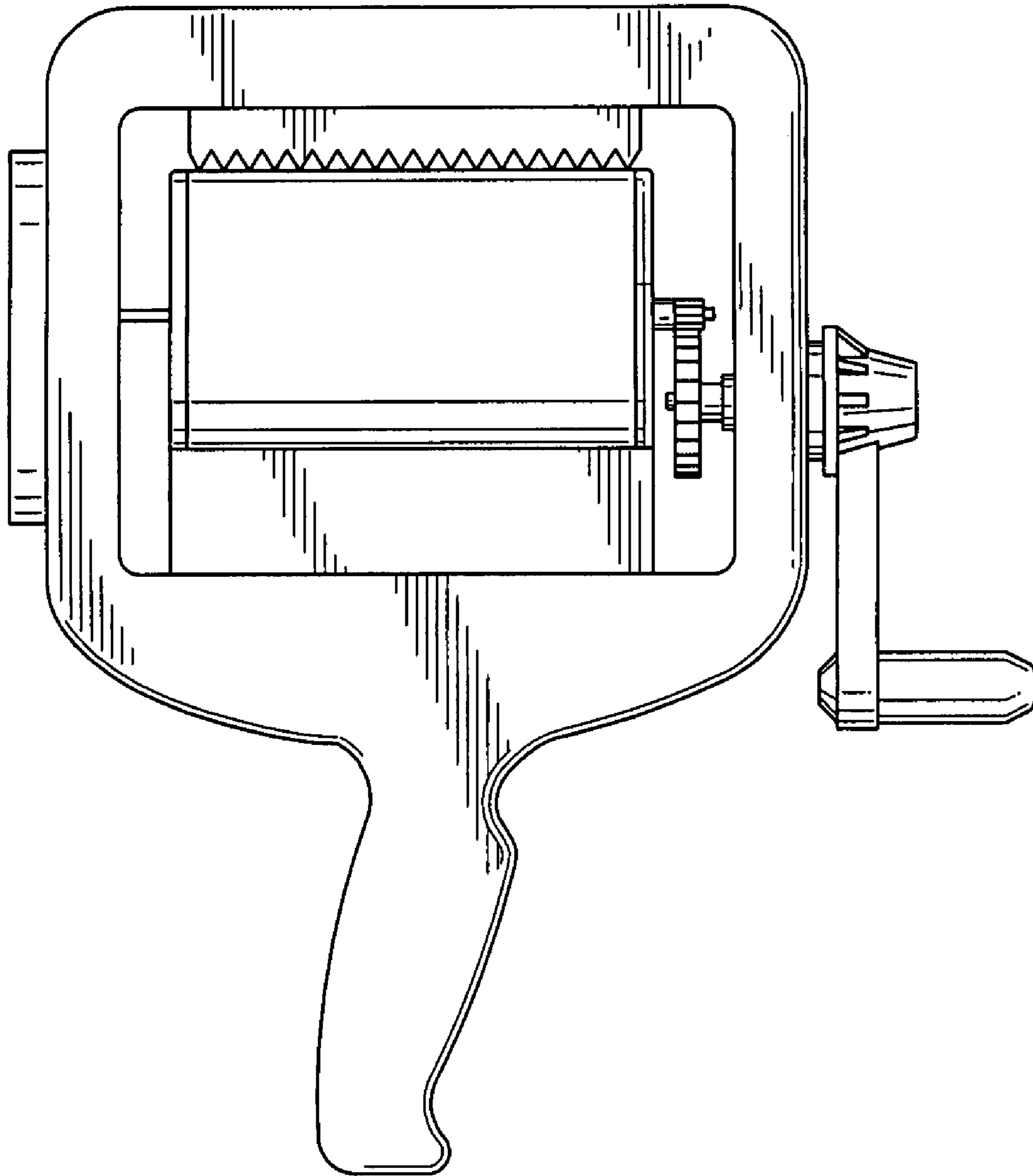


FIG. 1

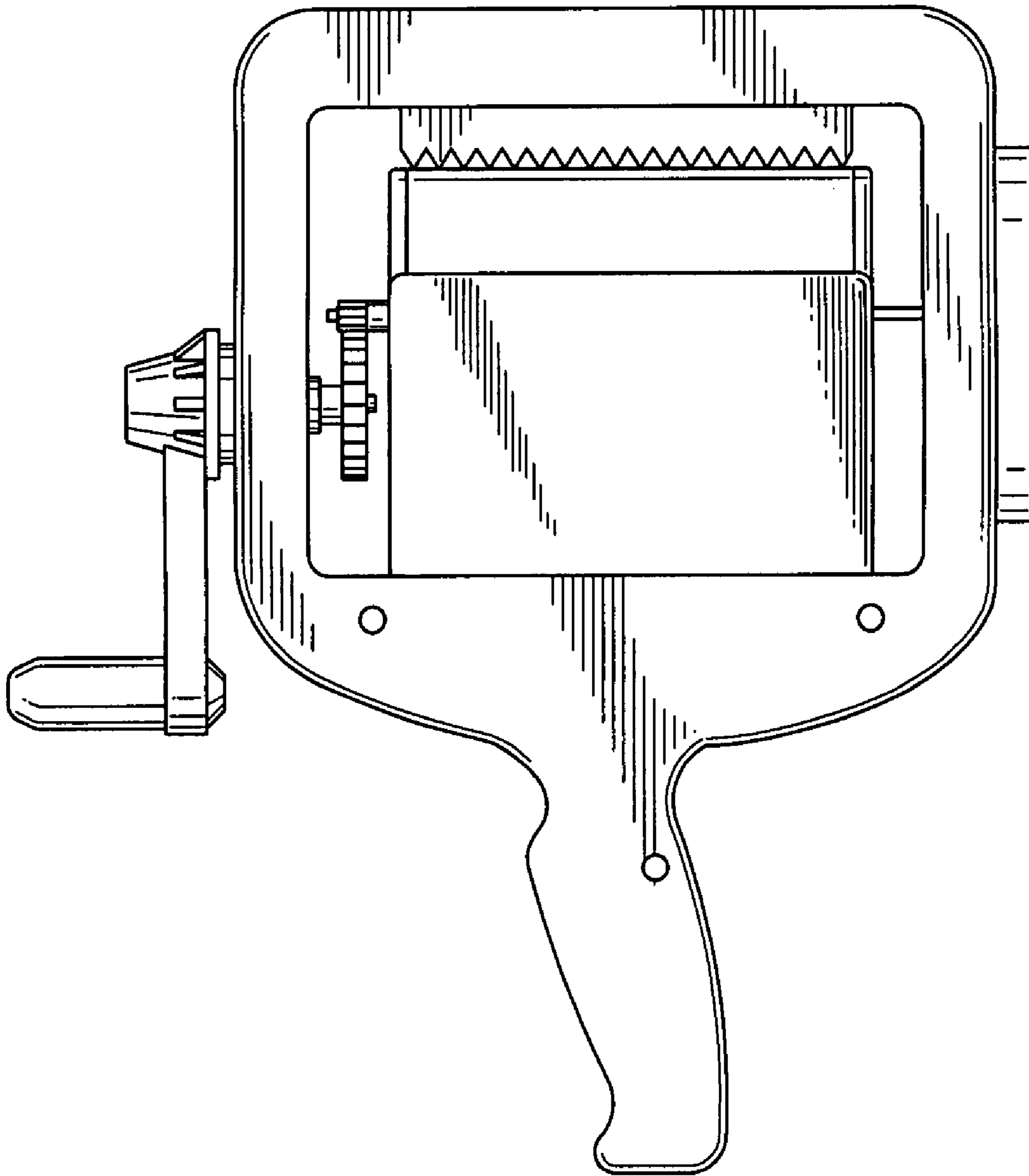


FIG.2

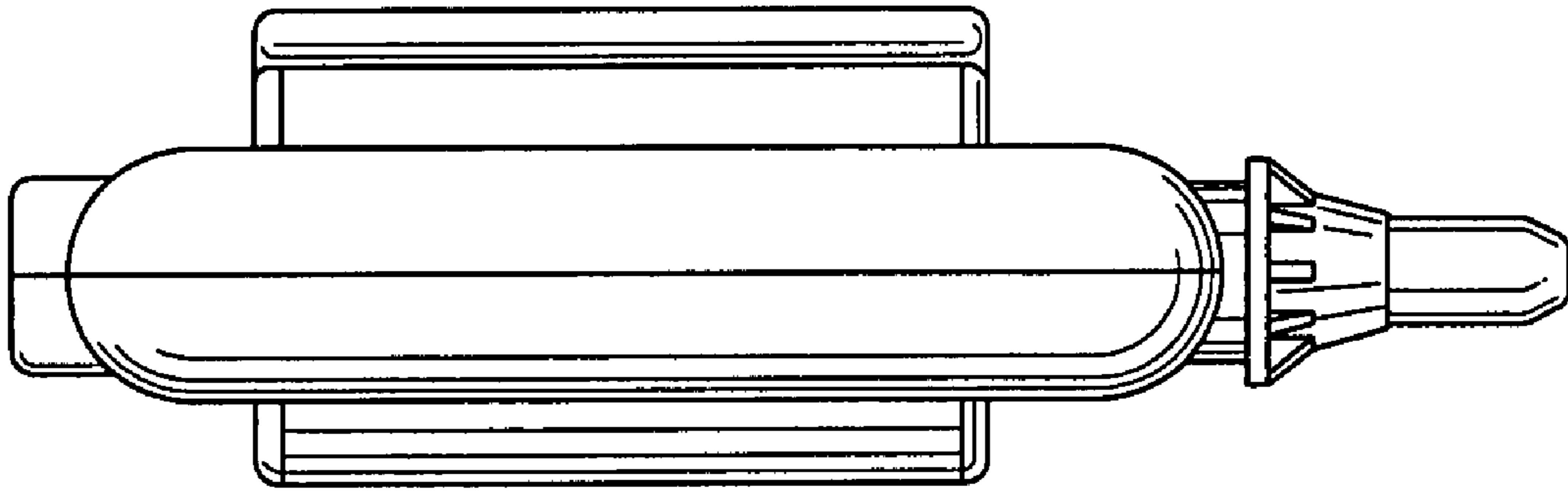


FIG.3

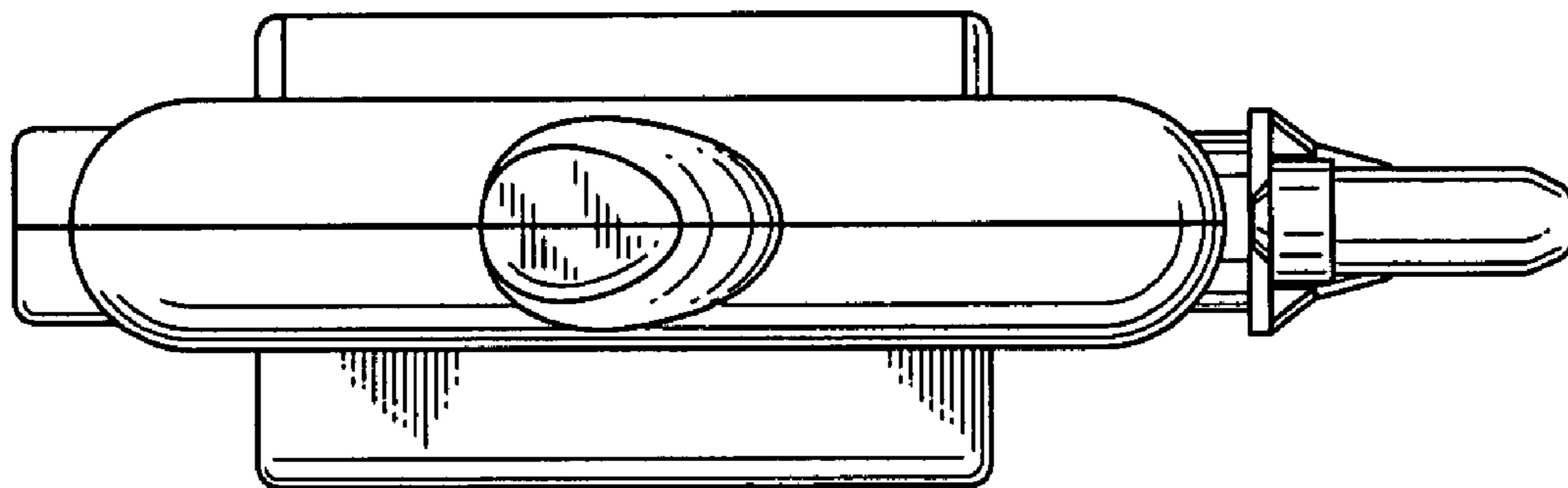


FIG.4

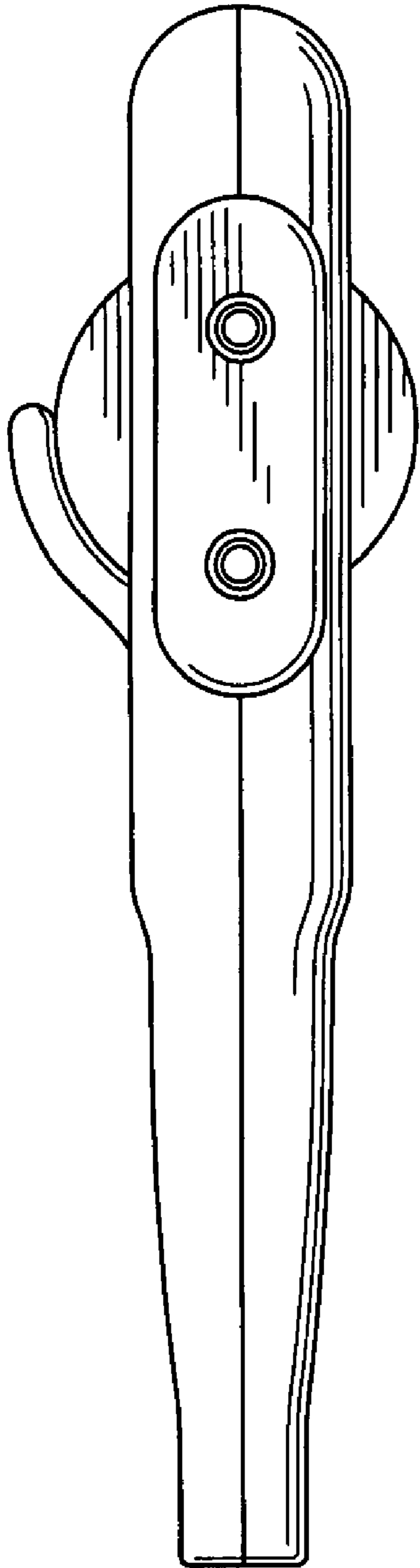


FIG. 5

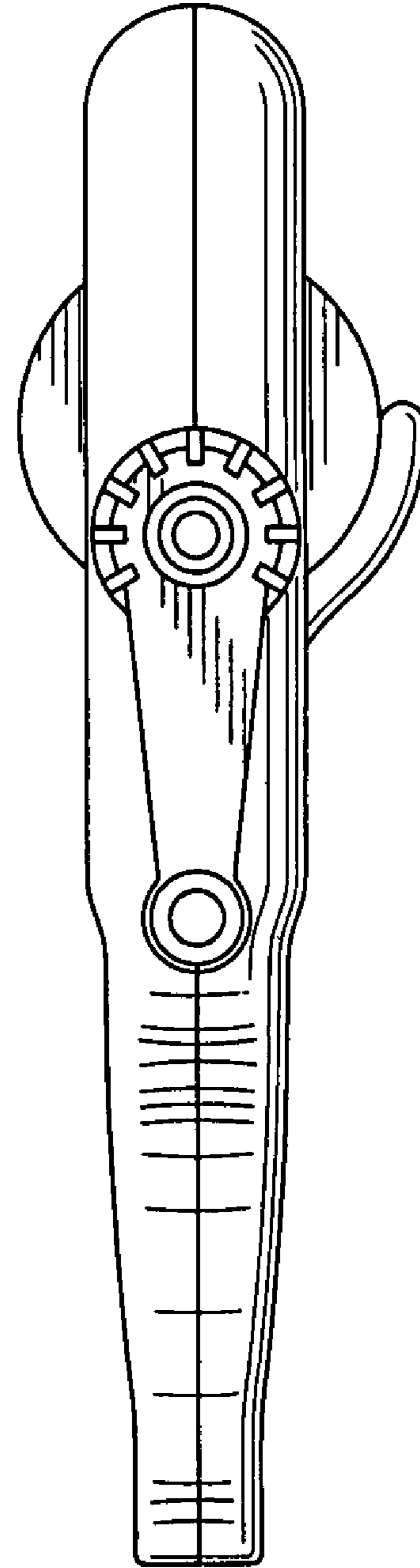


FIG. 6

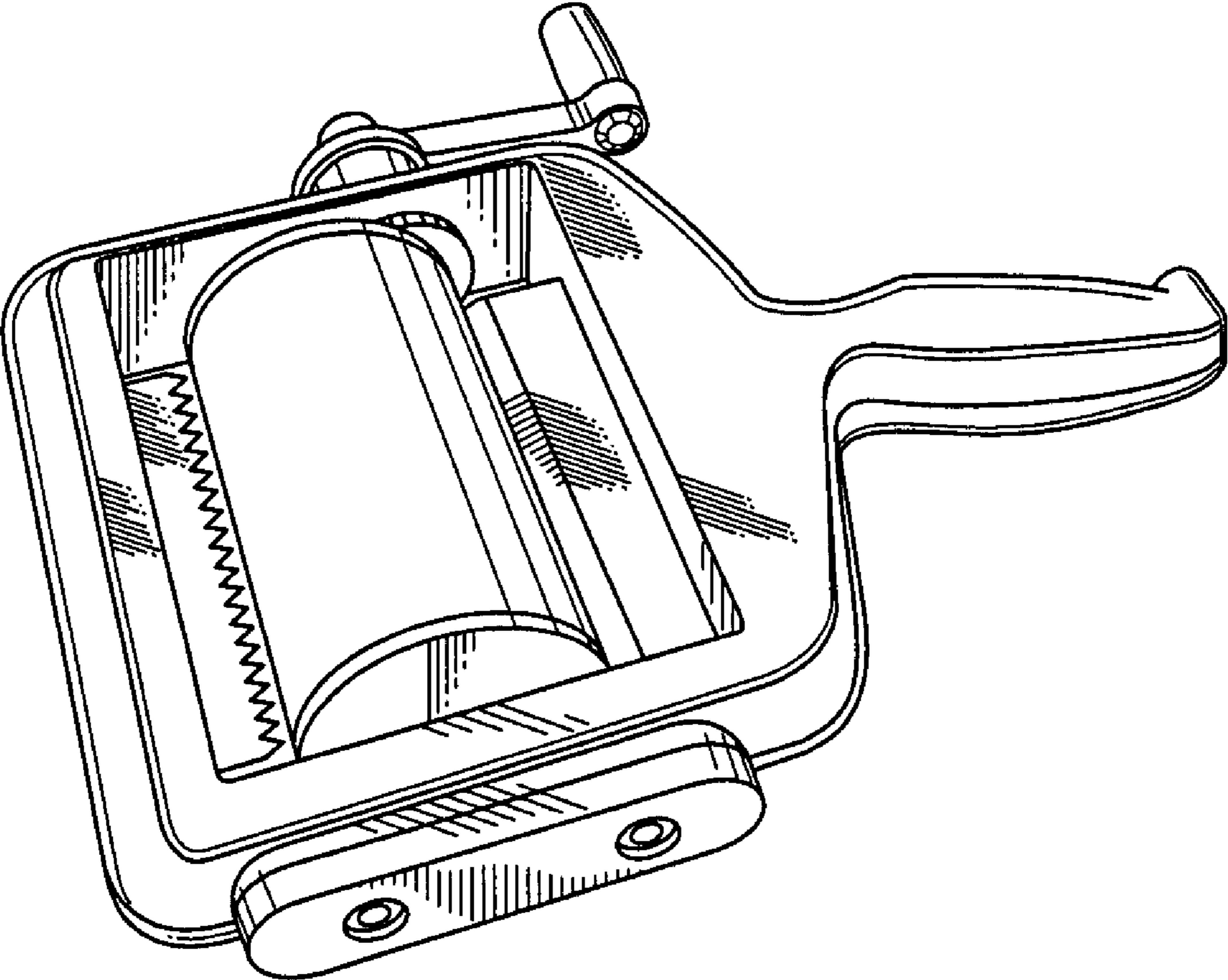


FIG.7

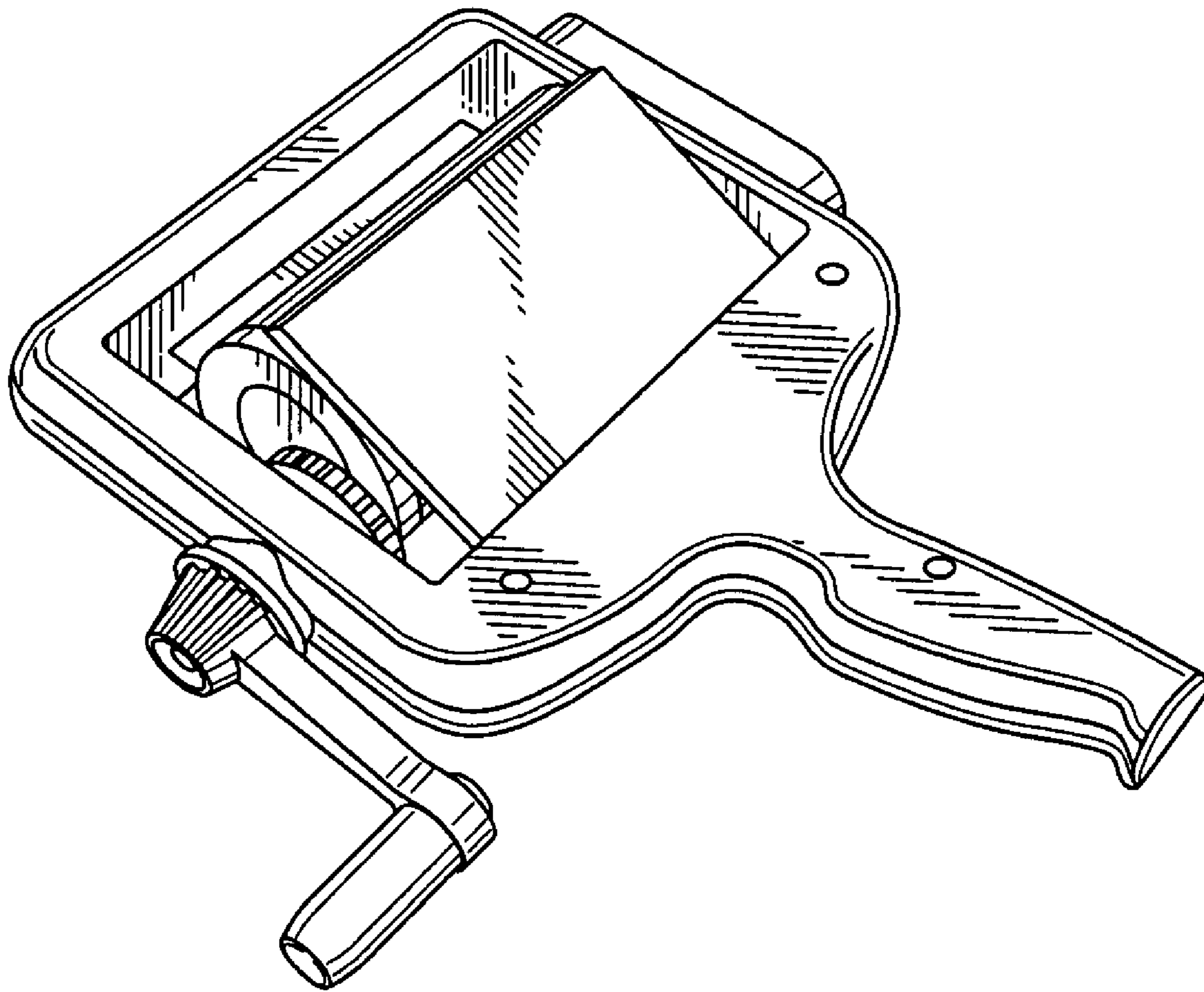


FIG.8