



US00D561687S

(12) **United States Design Patent**  
**Sween et al.**

(10) **Patent No.:** **US D561,687 S**

(45) **Date of Patent:** **\*\* Feb. 12, 2008**

(54) **ELECTRICAL CHARGE STORAGE COMPONENT**  
  
(75) Inventors: **Barry Sween**, Santa Monica, CA (US);  
**Jie Wan**, Alhambra, CA (US); **Vijendra Nalwad**, Newbury Park, CA (US)  
  
(73) Assignee: **Belkin International, Inc.**, Compton, CA (US)

4,569,348 A 2/1986 Hasslinger  
4,609,171 A 9/1986 Matsui  
4,647,139 A 3/1987 Yang  
4,802,638 A 2/1989 Burger et al.  
4,815,172 A 3/1989 Ward  
4,893,381 A 1/1990 Frankel  
4,939,818 A 7/1990 Hahn  
4,940,427 A 7/1990 Pearson

(\*\*) Term: **14 Years**

(Continued)

(21) Appl. No.: **29/270,868**

OTHER PUBLICATIONS

(22) Filed: **Jan. 5, 2007**

Buyshipdirect.com; Universal Power Bank; BuyShipDirect.com: Product Detail; 3 pages.

(51) **LOC (8) Cl.** ..... **13-02**  
(52) **U.S. Cl.** ..... **D13/110**  
(58) **Field of Classification Search** ..... D13/110,  
D13/101, 107, 108, 133, 137.4, 184, 199;  
174/50-59; 307/150, 151; 439/501, 502  
See application file for complete search history.

(Continued)

*Primary Examiner*—Prabhakar Deshmukh  
*Assistant Examiner*—Derrick Holland  
(74) *Attorney, Agent, or Firm*—Bryan Cave LLP

(56) **References Cited**

(57) **CLAIM**

U.S. PATENT DOCUMENTS

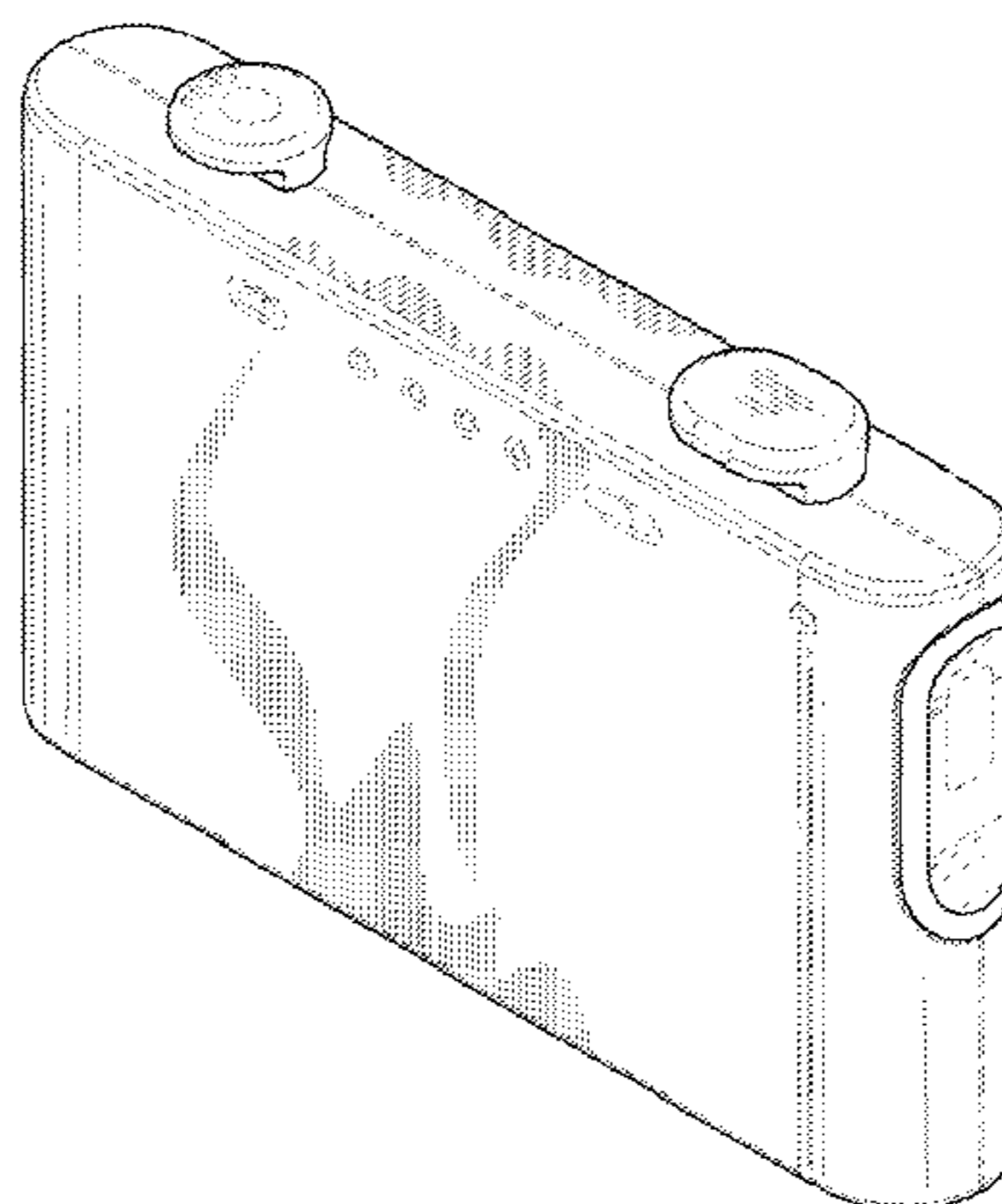
We claim the ornamental design for an electrical charge storage component, as shown and described.

- 2,143,529 A 1/1939 White
- 2,721,624 A 10/1955 Osborn
- 3,000,384 A 6/1961 Piers
- 3,009,235 A 11/1961 Mestral
- 3,152,219 A 10/1964 Murray et al.
- 3,197,830 A 8/1965 Hoadlay
- 3,275,969 A 9/1966 Sheeran
- 3,279,008 A 10/1966 Wallach
- 3,307,872 A 3/1967 Murcott
- 3,426,363 A 2/1969 Girard
- 3,601,863 A 8/1971 Dorsey
- 3,835,505 A 9/1974 Shewbidge
- 3,947,927 A 4/1976 Rosenthal
- 3,973,610 A 8/1976 Ballin
- 3,990,454 A 11/1976 Schlesinger
- 4,067,526 A 1/1978 Storer
- 4,149,540 A 4/1979 Hasslinger
- 4,182,005 A 1/1980 Harrington
- 4,273,130 A 6/1981 Simpson
- 4,289,366 A 9/1981 Marks

**DESCRIPTION**

FIG. 1 is a front side view of the electrical charge storage component;  
FIG. 2 is a left side view thereof;  
FIG. 3 is a right side view thereof;  
FIG. 4 is a top side view thereof;  
FIG. 5 is a bottom side view thereof;  
FIG. 6 is a rear side view thereof; and,  
FIG. 7 is a front, right, top isometric view thereof.  
The broken lines in the drawings are for illustrative purposes only and form no part of the claimed design.  
The broken line(s) which define the bounds of the claimed design form no part thereof.

**1 Claim, 2 Drawing Sheets**



# US D561,687 S

Page 2

## U.S. PATENT DOCUMENTS

5,019,767 A \* 5/1991 Shirai et al. .... 320/112  
5,024,402 A 6/1991 Hamel  
5,040,263 A 8/1991 Guhne et al.  
5,048,158 A 9/1991 Koerner  
5,071,367 A 12/1991 Luu  
5,133,671 A 7/1992 Boghosian  
5,168,603 A 12/1992 Reed  
5,176,343 A 1/1993 Cheney, II et al.  
D338,653 S \* 8/1993 Morgan et al. .... D13/110  
5,236,371 A 8/1993 Matthis  
5,326,283 A 7/1994 Chen  
D355,887 S \* 2/1995 Rodeffer et al. .... D13/110  
5,388,155 A 2/1995 Smith  
5,394,592 A 3/1995 Quick  
D361,978 S \* 9/1995 Shirai et al. .... D13/103  
5,502,877 A 4/1996 Yocum  
5,507,667 A 4/1996 Hahn et al.  
5,697,809 A 12/1997 Chung  
5,720,628 A 2/1998 Usui et al.  
5,802,676 A 9/1998 Tolan  
5,806,943 A 9/1998 Dell et al.  
5,812,683 A 9/1998 Parker et al.

D400,175 S 10/1998 Okamoto  
5,906,506 A 5/1999 Chang et al.  
5,923,147 A 7/1999 Martensson  
5,984,224 A 11/1999 Yang  
D428,327 S 7/2000 Stekelenburg  
6,109,958 A 8/2000 Ke  
6,164,582 A 12/2000 Vara  
D446,499 S \* 8/2001 Andre et al. .... D13/110  
6,331,936 B1 12/2001 Hom et al.  
D454,110 S \* 3/2002 Andre et al. .... D13/110  
6,427,290 B1 8/2002 Liu  
6,428,348 B1 8/2002 Bean  
6,433,274 B1 8/2002 Doss et al.  
6,567,277 B1 5/2003 Doherty et al.  
D484,853 S \* 1/2004 Alviar ..... D13/110

## OTHER PUBLICATIONS

Buyshipdirect.com; Portable Electronics Power Bank;  
BuyShipDirect.com: Product Detail; 3 pages.  
Buyshipdirect.com; Notebook Power Bank; BuyShipDirect.com:  
Product Detail; 3 pages.

\* cited by examiner

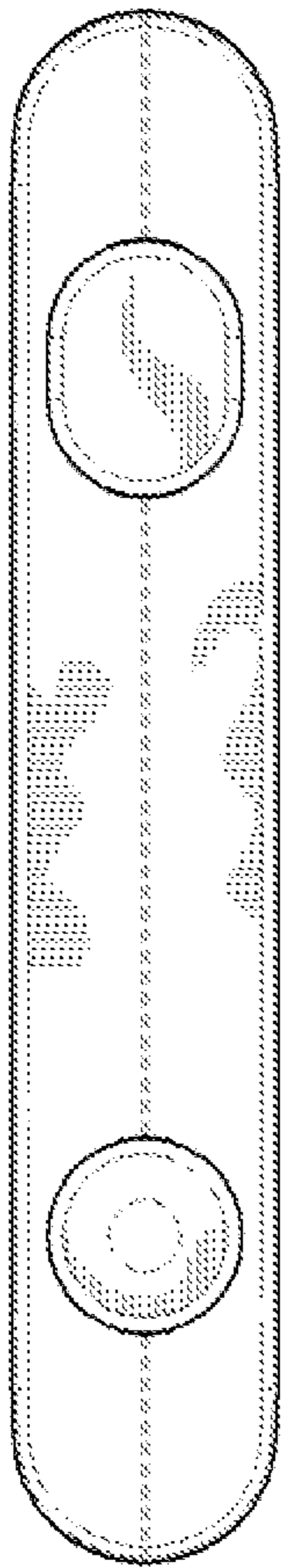


FIG. 4

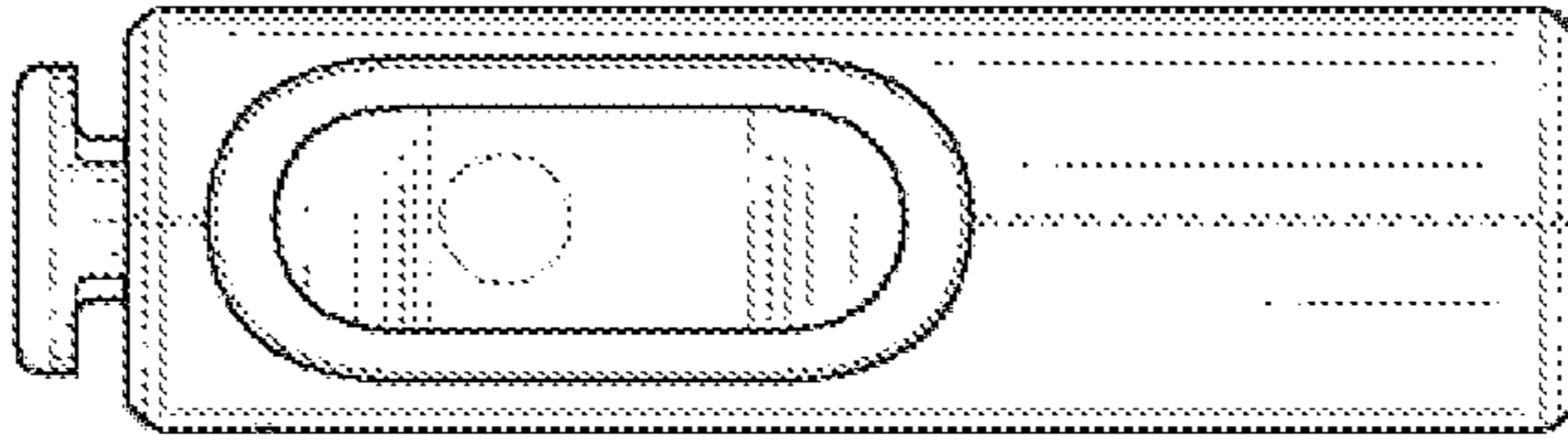


FIG. 2

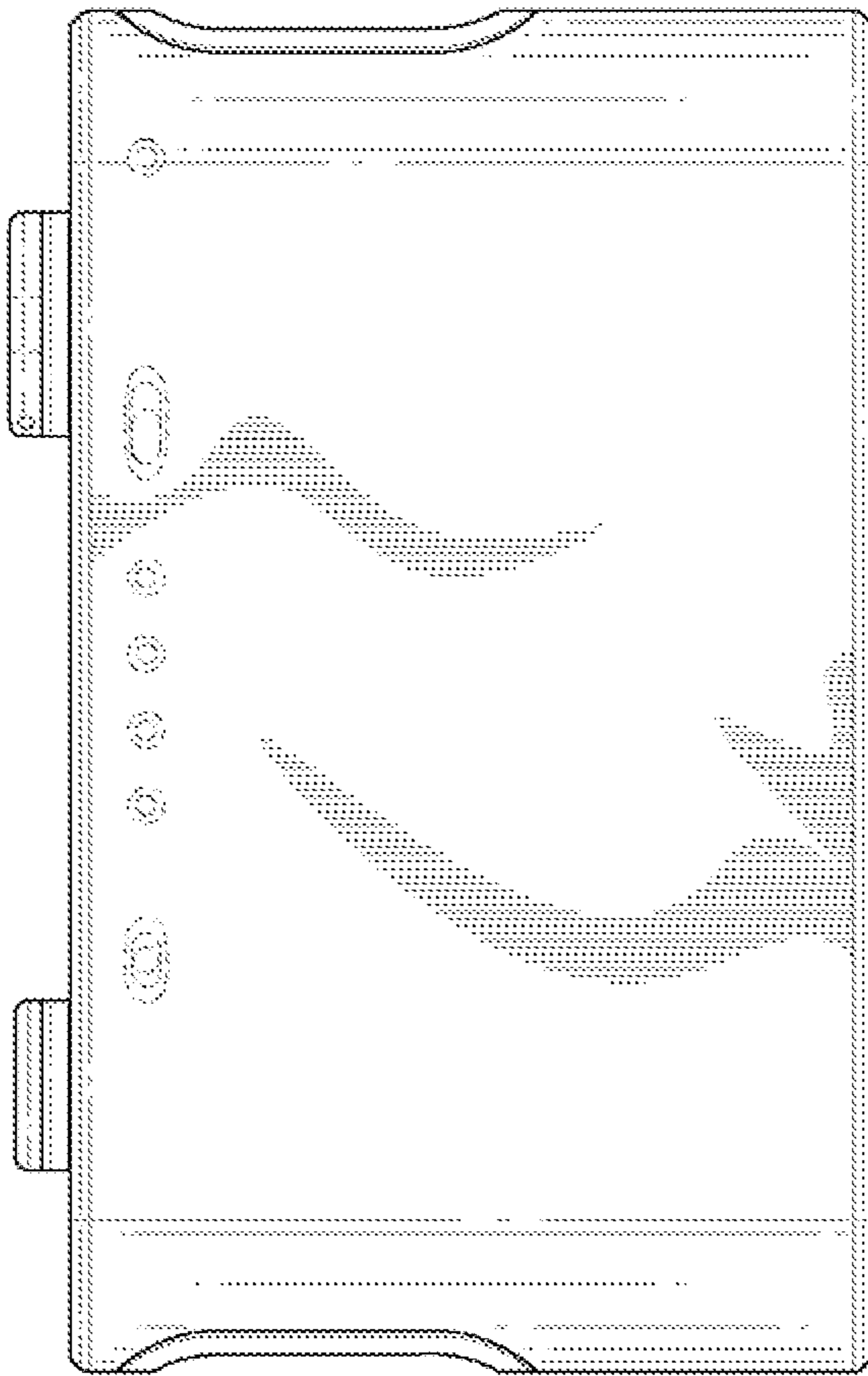


FIG. 1

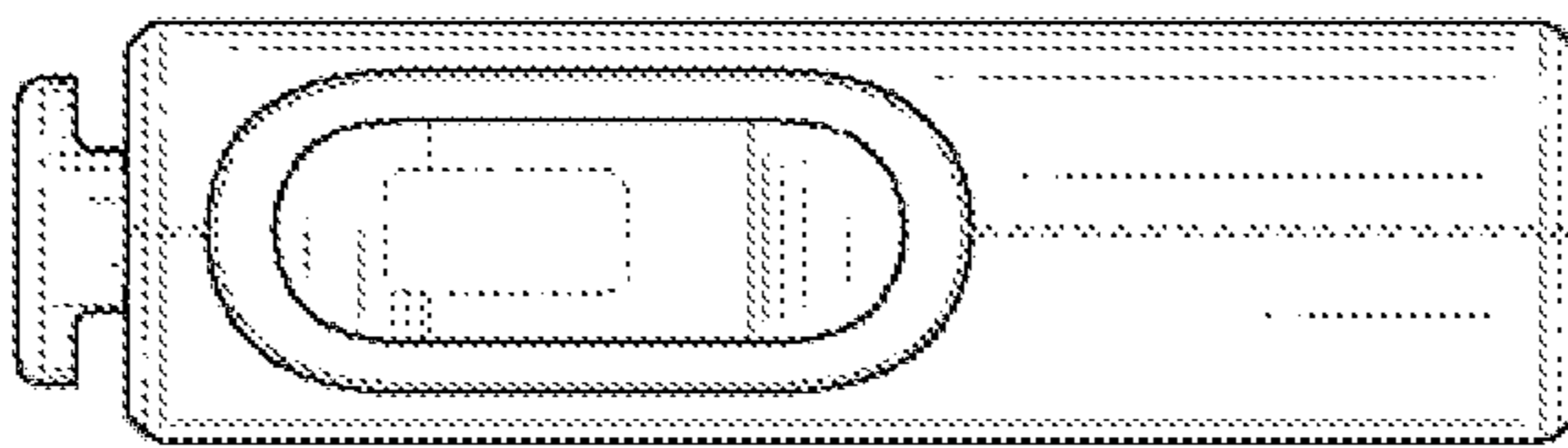


FIG. 3

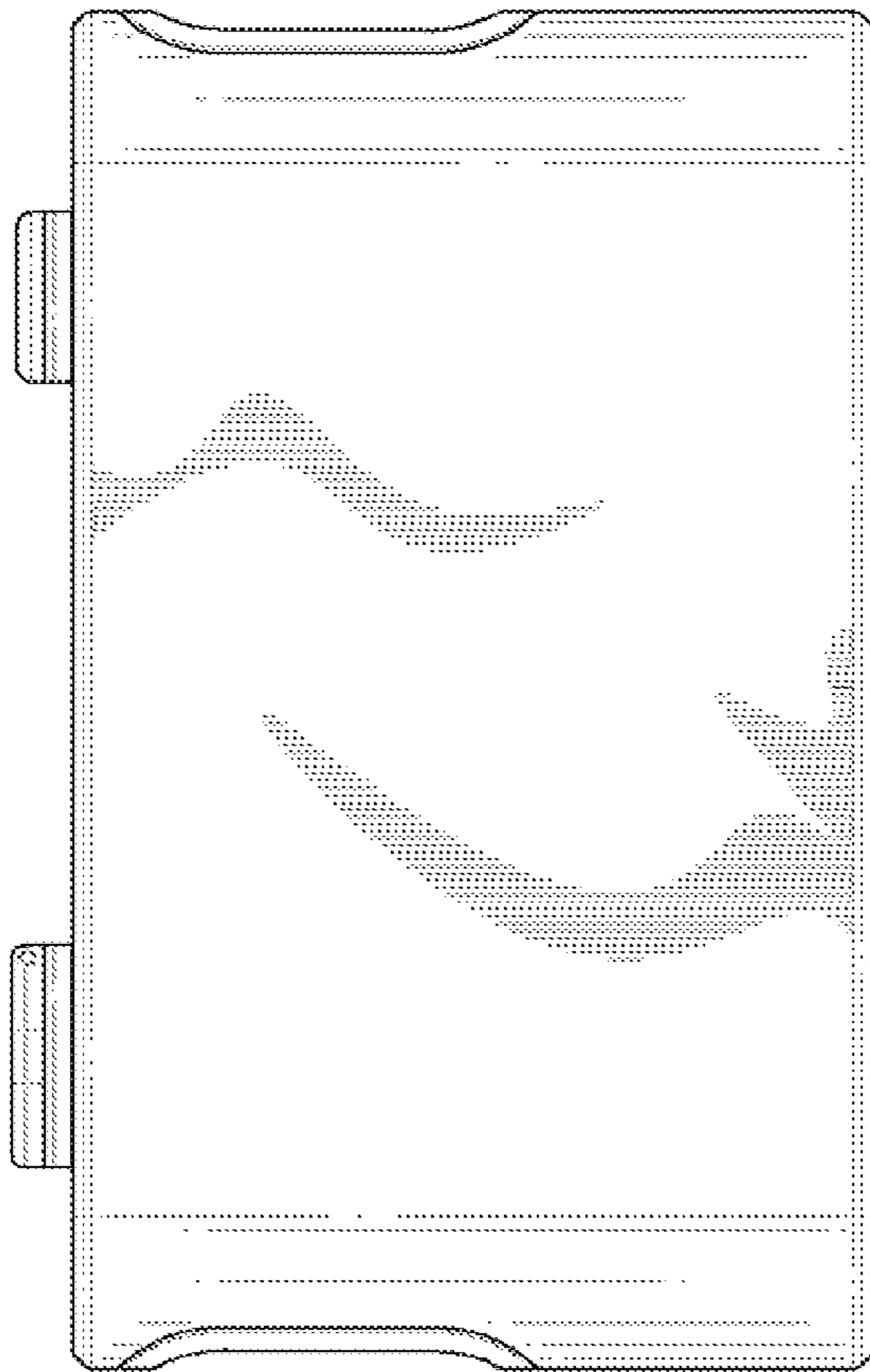


FIG. 5

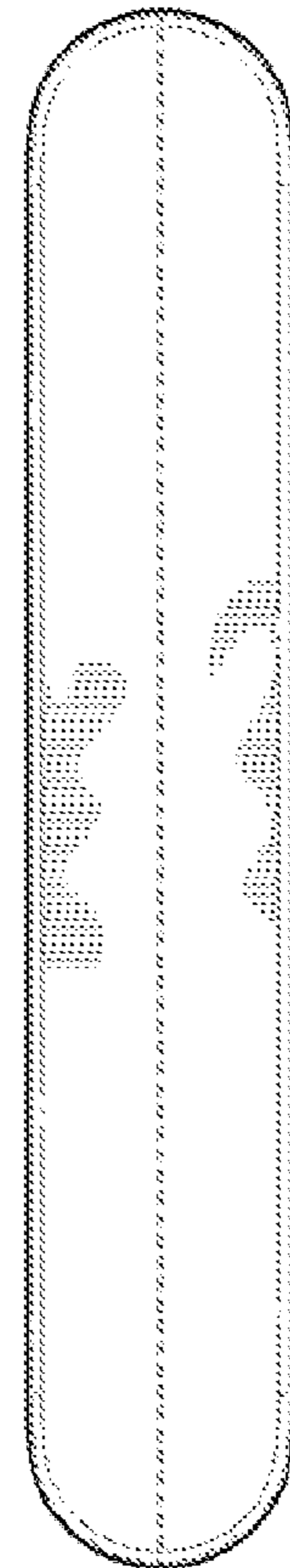


FIG. 6

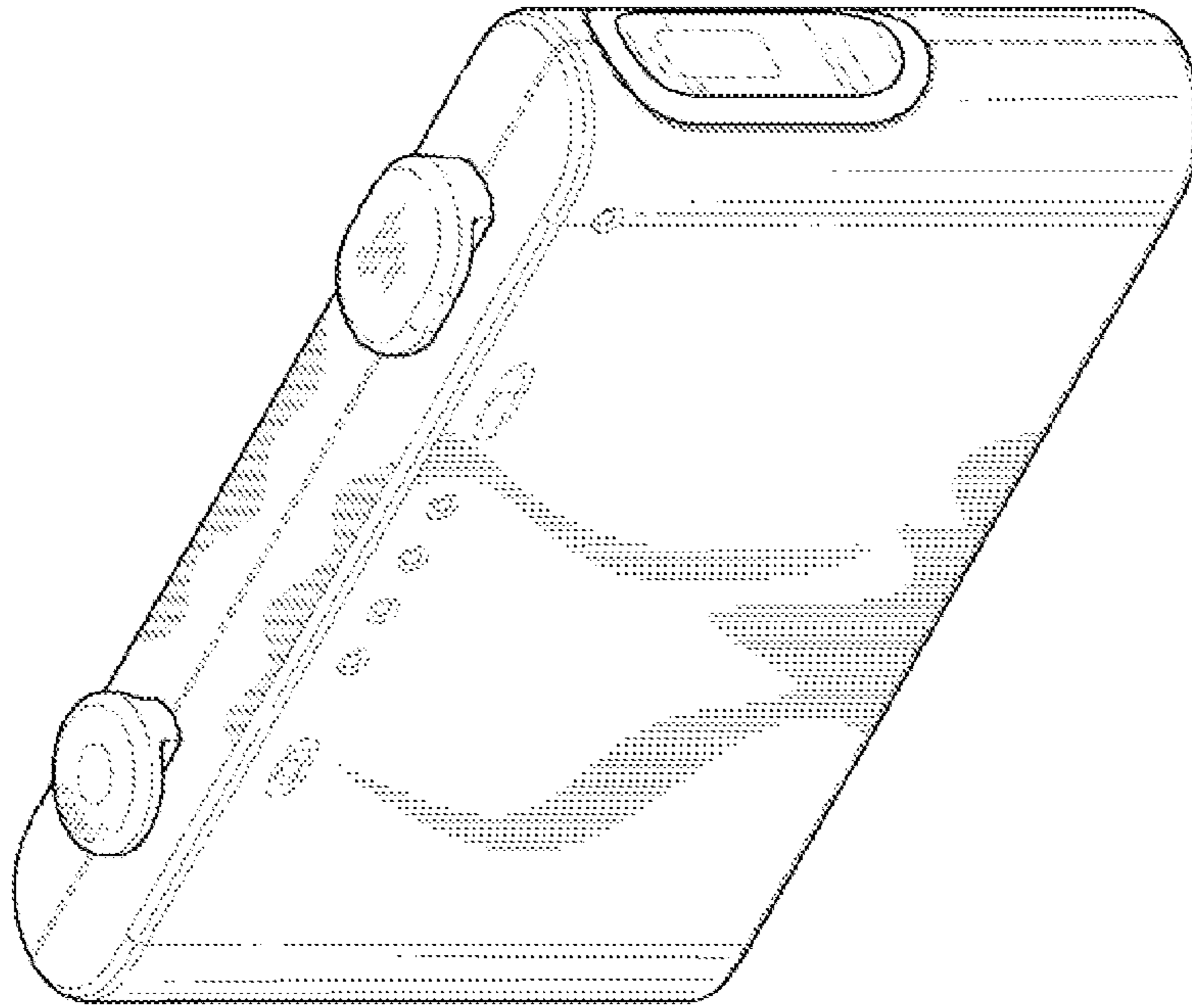


FIG. 7