



US00D561680S

(12) **United States Design Patent** (10) **Patent No.:** **US D561,680 S**
Foley et al. (45) **Date of Patent:** **** Feb. 12, 2008**

(54) **FORK MOUNT BICYCLE CARRIER**

4,057,183 A 11/1977 Ness
4,114,409 A 9/1978 Scire

(75) Inventors: **Aaron Foley**, Portland, OR (US); **Brian Davis**, Portland, OR (US); **Dominic M. D'Andrea**, Portland, OR (US)

(Continued)

(73) Assignee: **Yakima Products, Inc.**, Beaverton, OR (US)

FOREIGN PATENT DOCUMENTS

DE 3034750 4/1982

(**) Term: **14 Years**

(Continued)

(21) Appl. No.: **29/256,803**

OTHER PUBLICATIONS

(22) Filed: **Mar. 23, 2006**

Roof Mounted Bike Racks sold by Bike Racks Plus. [Retrieved on Mar. 20, 2007]. © 2002-2005. Retrieved from the Internet <URL: http://www.bike-racks-plus.com/Roof_Mounted_Bike_Racks_y.htm>.*

(51) **LOC (8) Cl.** **12-11**

(52) **U.S. Cl.** **D12/408**

(58) **Field of Classification Search** D12/407, D12/408, 412, 115, 120; 224/400, 401, 500-511, 224/522-537, 309-331, 324, 42.11, 42.12, 224/42.27, 42.29, 924, 424; 414/462; 280/304.5, 280/202; 211/17-22

Primary Examiner—Cathron Brooks

Assistant Examiner—Linda Brooks

(74) *Attorney, Agent, or Firm*—Kolisch Hartwell, P.C.

See application file for complete search history.

(57) **CLAIM**

I claim the ornamental design for a fork mount bicycle carrier, as shown and described.

(56) **References Cited**

U.S. PATENT DOCUMENTS

357,287 A	2/1887	Nolte
376,055 A	1/1888	Hopkins
2,271,452 A	1/1942	Carroll
2,576,222 A	11/1951	Hill
3,239,115 A	3/1966	Bott
3,258,820 A	7/1966	Steinberg
3,292,222 A	12/1966	Steinberg
3,662,435 A	5/1972	Allsop
3,668,791 A	6/1972	Salzman
3,828,993 A	8/1974	Carter
3,848,784 A	11/1974	Shimano
3,893,568 A	7/1975	Lile
3,900,923 A	8/1975	Thomas
3,906,593 A	9/1975	Caveney
3,912,139 A	10/1975	Bowman
3,922,018 A	11/1975	Shook
4,021,888 A	5/1977	Aimar
4,028,915 A	6/1977	Stahl
4,057,182 A	11/1977	Kolkhurst

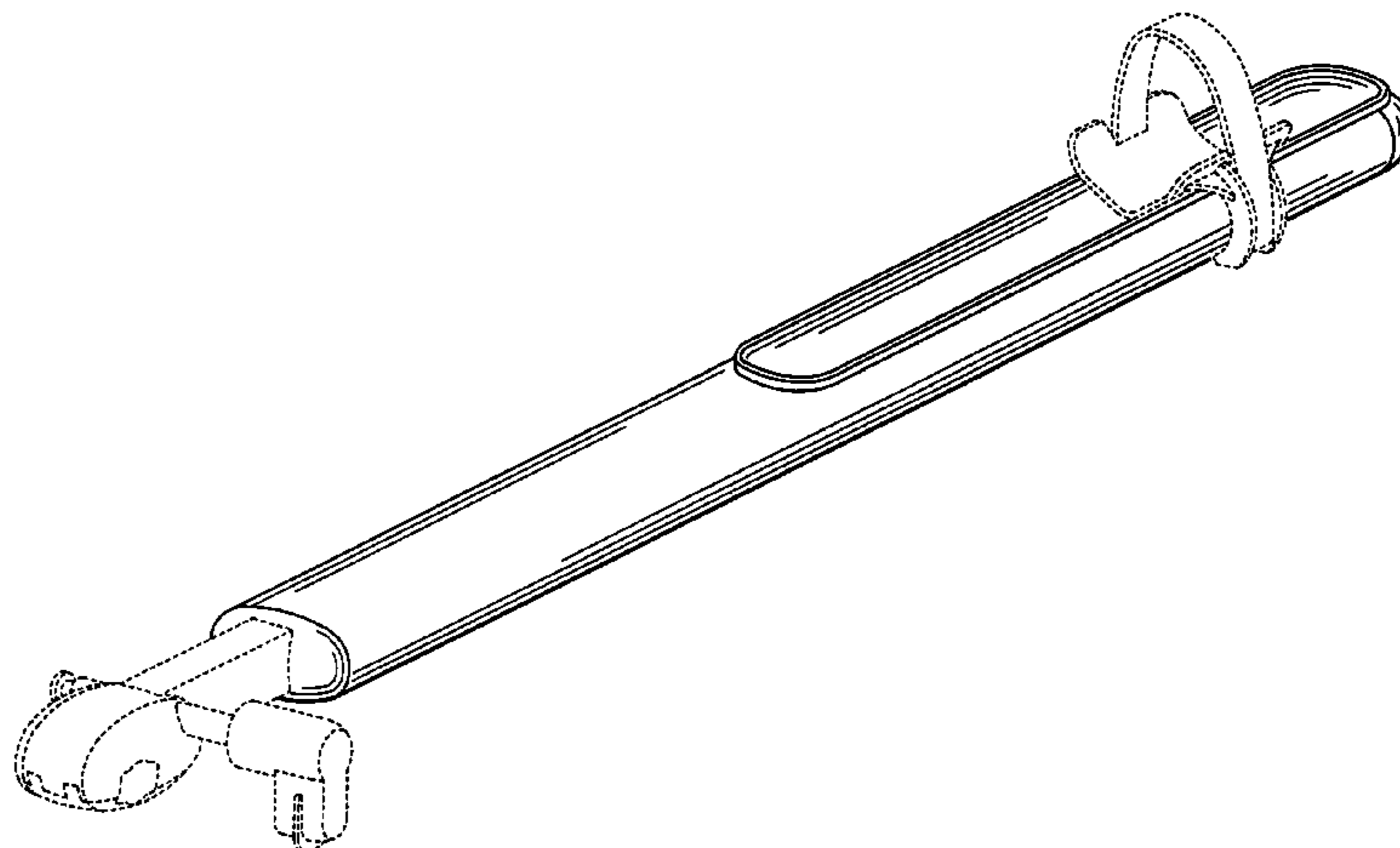
DESCRIPTION

FIG. 1 is a perspective view of a fork mount bicycle carrier; FIG. 2 is a top view thereof; FIGS. 3 and 5 are side views thereof; FIG. 4 is a bottom view thereof; FIG. 6 is a front view thereof; and, FIG. 7 is a rear view thereof.

The shading lines shown in the drawing(s) represent the three-dimensional contour of the design, and are not intended to indicate surface decoration.

The broken lines immediately adjacent the shaded areas represent boundaries of the claimed design and form no part thereof, while the other broken lines show environmental elements which form no part of the claimed design.

1 Claim, 2 Drawing Sheets



US D561,680 S

Page 2

U.S. PATENT DOCUMENTS

4,193,171 A 3/1980 Lichowsky
 4,274,569 A 6/1981 Winter
 4,310,951 A 1/1982 Riedel
 4,326,320 A 4/1982 Riedel
 4,386,709 A 6/1983 Graber
 4,400,038 A 8/1983 Hosokawa
 4,424,636 A 1/1984 Everest
 4,433,786 A 2/1984 Wahl
 4,442,961 A 4/1984 Bott
 4,453,290 A 6/1984 Riedel
 4,501,354 A 2/1985 Hoffman
 4,547,980 A 10/1985 Olivieri
 4,553,292 A 11/1985 Praider
 4,555,830 A 12/1985 Petrini
 4,596,080 A 6/1986 Benoit
 4,614,047 A 9/1986 Arieh
 4,619,122 A 10/1986 Simpson
 4,621,873 A 11/1986 Weinstein
 4,624,063 A 11/1986 Delery
 4,629,104 A 12/1986 Jacquet
 4,646,401 A 3/1987 Morell
 4,670,946 A 6/1987 Olivieri
 4,683,620 A 8/1987 Valsecchi
 4,724,692 A 2/1988 Turin
 4,727,630 A 3/1988 Alan
 4,759,137 A 7/1988 Lederer
 4,761,859 A 8/1988 Calabrigo
 4,763,957 A 8/1988 Poehlmann
 4,770,011 A 9/1988 Constant
 4,789,206 A 12/1988 Ozaki
 4,796,337 A 1/1989 Marxer
 4,842,148 A 6/1989 Bowman
 4,887,754 A 12/1989 Boyer
 4,912,817 A 4/1990 Sandreid
 4,934,572 A 6/1990 Bowman
 4,951,487 A 8/1990 Sheils Dennis
 4,964,287 A 10/1990 Gaul
 5,003,711 A 4/1991 Nerrinck
 5,005,390 A 4/1991 Giannini
 5,007,260 A 4/1991 Sharp
 5,022,672 A 6/1991 Kawai
 5,027,628 A 7/1991 De Rocher
 5,037,019 A 8/1991 Sogn
 5,042,705 A 8/1991 Johansson
 5,052,605 A 10/1991 Johansson
 5,065,921 A 11/1991 Mobley
 5,083,350 A 1/1992 Sandried
 5,118,125 A 6/1992 Plunkett
 5,135,330 A 8/1992 Chen
 5,165,762 A 11/1992 Phillips
 5,169,044 A 12/1992 Englander
 5,172,454 A 12/1992 Martignago
 5,193,254 A 3/1993 Geisinger
 5,203,484 A 4/1993 Englander

5,226,341 A 7/1993 Shores
 5,232,134 A 8/1993 Allen
 5,275,319 A 1/1994 Ruana
 5,288,001 A 2/1994 Locarno
 5,291,763 A 3/1994 Cuisinot
 5,316,192 A 5/1994 Ng
 5,357,690 A 10/1994 Ho
 5,362,173 A 11/1994 Ng
 5,377,886 A 1/1995 Sickler
 5,416,952 A 5/1995 Dodge
 5,419,479 A 5/1995 Evels
 5,426,826 A 6/1995 Takimoto
 5,492,258 A 2/1996 Brunner
 5,511,894 A 4/1996 Ng
 5,526,555 A 6/1996 Battistella
 5,570,825 A 11/1996 Cona
 5,573,165 A 11/1996 Bloemer
 5,598,959 A 2/1997 Lorensen
 5,624,063 A 4/1997 Ireland
 5,690,259 A 11/1997 Montani
 5,692,659 A 12/1997 Reeves
 5,709,521 A 1/1998 Glass
 5,730,343 A 3/1998 Settelmayer
 5,738,258 A 4/1998 Farrow
 5,745,959 A 5/1998 Dodge
 5,752,298 A 5/1998 Howell
 5,762,248 A 6/1998 Englander
 5,775,555 A 7/1998 Bloemer
 5,820,002 A 10/1998 Allen
 5,833,074 A 11/1998 Phillips
 5,862,964 A 1/1999 Moliner
 5,875,947 A 3/1999 Noel
 5,924,614 A 7/1999 Kuntze
 5,988,402 A 11/1999 Mayfield
 6,062,450 A 5/2000 Noel
 6,167,735 B1 1/2001 Brown
 6,425,509 B1 7/2002 Dean
 6,494,351 B1 12/2002 Dean
 6,851,590 B2 2/2005 Dean
 6,938,782 B2 9/2005 Dean
 2002/0026816 A1 3/2002 Katsouros

FOREIGN PATENT DOCUMENTS

DE 4208064 5/1993
 EP 0161441 11/1985
 EP 0220784 5/1987
 EP 0224288 6/1987
 FR 2221329 10/1974
 FR 2251187 11/1974
 FR 2332155 6/1977
 FR 2420454 10/1979
 FR 2428545 1/1980
 IT 1189908 2/1988
 IT 1236808 4/1993

* cited by examiner

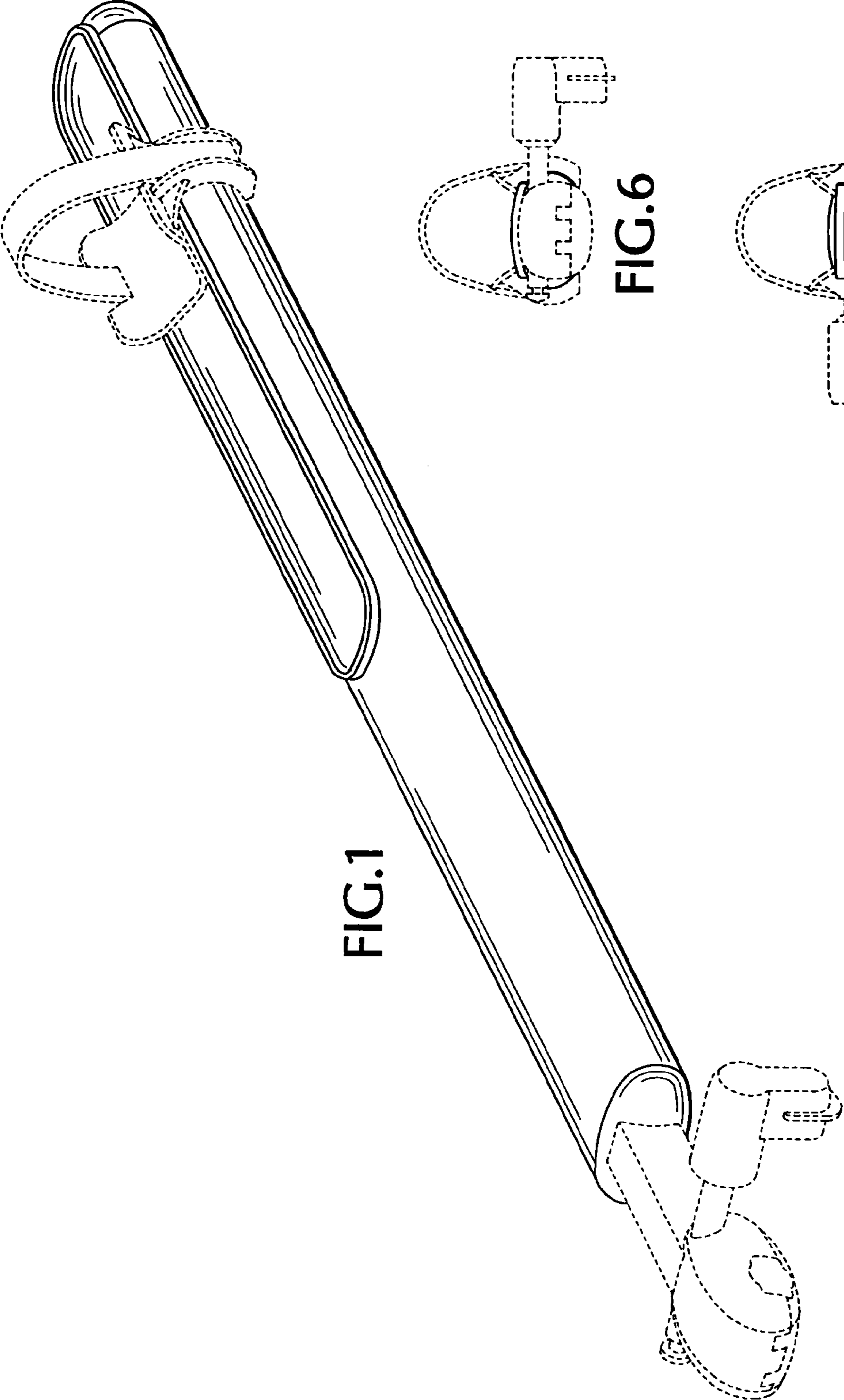


FIG.1

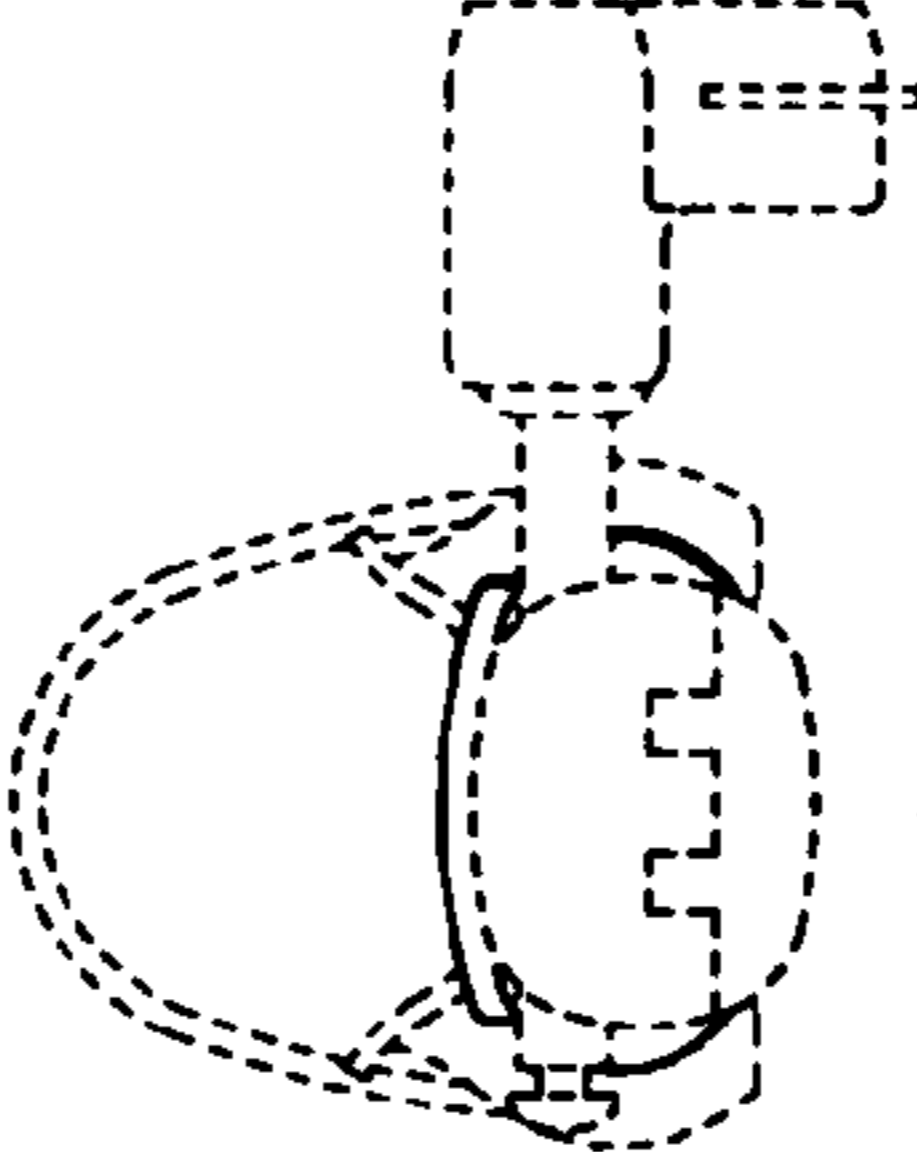


FIG.6

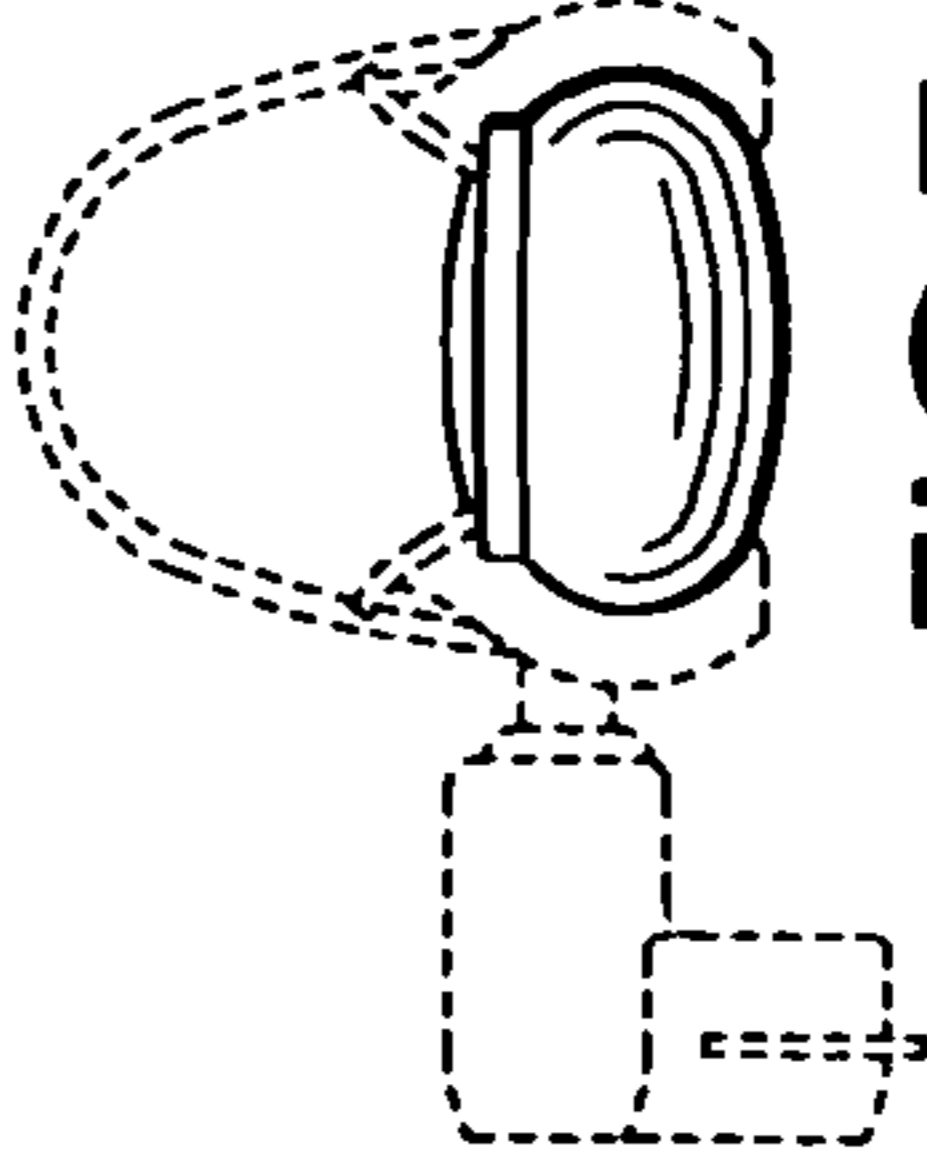


FIG.7

