



US00D561679S

(12) **United States Design Patent** (10) **Patent No.:** **US D561,679 S**
Wai (45) **Date of Patent:** **** Feb. 12, 2008**

(54) **HELICOPTER PROPELLER**

(56) **References Cited**

(75) Inventor: **Chi Pok Billy Wai**, Quarry Bay (HK)

U.S. PATENT DOCUMENTS

(73) Assignee: **Silverlit Toys Manufactory, Ltd.**,
Hong Kong (HK)

1,403,909 A 1/1922 Moir
1,773,281 A 8/1930 Scott
1,800,470 A 4/1931 Oehmichen

(**) Term: **14 Years**

(Continued)

(21) Appl. No.: **29/282,299**

FOREIGN PATENT DOCUMENTS

(22) Filed: **Jul. 16, 2007**

BE 338599 12/1926

Related U.S. Application Data

(Continued)

(63) Continuation of application No. 11/627,919, filed on Jan. 26, 2007, which is a continuation-in-part of application No. 11/465,781, filed on Aug. 18, 2006, which is a continuation-in-part of application No. 11/462,177, filed on Aug. 3, 2006, application No. 29/282,299, and a continuation-in-part of application No. 29/275,322, filed on Dec. 20, 2006, now Pat. No. Des. 546,269, and a continuation-in-part of application No. 29/275,323, filed on Dec. 20, 2006, now Pat. No. Des. 544,825, and a continuation-in-part of application No. 29/275,324, filed on Dec. 20, 2006, now Pat. No. Des. 545,755, and a continuation-in-part of application No. 29/277,652, filed on Mar. 5, 2007, now Pat. No. Des. 552,531, and a continuation-in-part of application No. 29/280,187, filed on May 18, 2007, now Pat. No. Des. 554,040.

OTHER PUBLICATIONS

Photographic reference #1, helicopter.

(Continued)

Primary Examiner—Charles A. Rademaker
Assistant Examiner—Maurice Stevens
(74) *Attorney, Agent, or Firm*—Greenberg Traurig, LLP

(30) **Foreign Application Priority Data**

Jan. 19, 2006 (BE) 2006/0043

(57) **CLAIM**

The ornamental design for a helicopter propeller, as shown and described.

(51) **LOC (8) Cl.** **12-07**

(52) **U.S. Cl.** **D12/345; D21/442**

(58) **Field of Classification Search** D12/319–345;
D21/441–442, 450, 453; 446/36–45, 230,
446/232; 244/17.11, 17.17, 17.19, 17.21,
244/17.23, 17.25, 17.27

DESCRIPTION

FIG. 1 is a right side view of a helicopter propeller, showing my new design;

FIG. 2 is a right side perspective view thereof;

FIG. 3 is a left side view thereof;

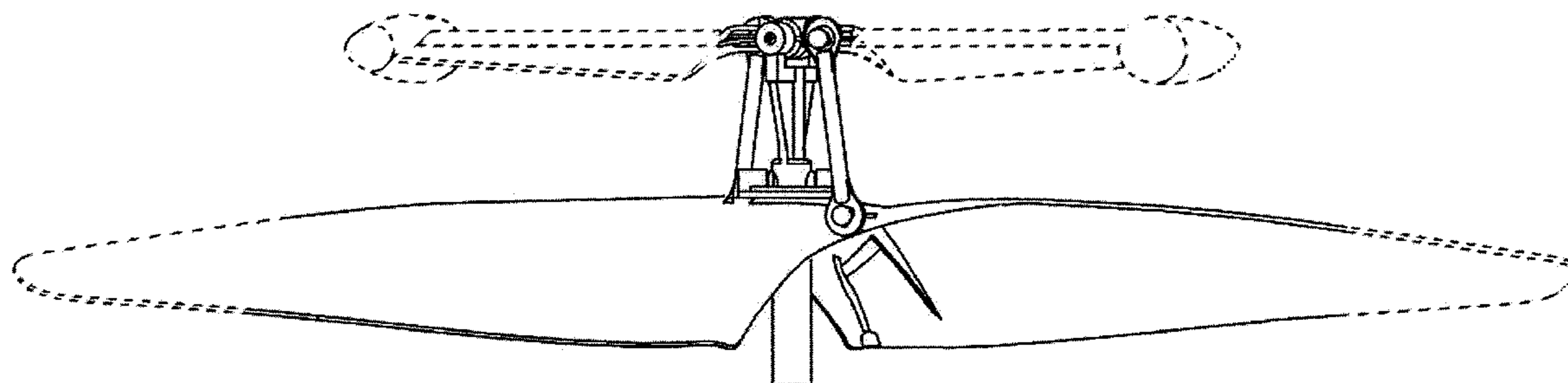
FIG. 4 is a left side perspective view thereof; and,

FIG. 5 is a top view thereof.

Broken lines, if any, are for illustrative purposes only and form no part of the claimed design.

See application file for complete search history.

1 Claim, 5 Drawing Sheets



US D561,679 S

Page 2

U.S. PATENT DOCUMENTS

2,030,578 A 2/1936 Flettner
2,384,516 A 9/1945 Young
2,481,750 A 9/1949 Hiller, Jr. et al.
2,532,683 A 12/1950 Traver
D163,938 S 7/1951 Douglas
2,646,848 A 7/1953 Young
D171,569 S 3/1954 Apostolescu
D178,081 S 6/1956 Papadacos
2,750,131 A 6/1956 Thomson
3,029,048 A 4/1962 Brooks et al.
3,080,001 A 3/1963 Culver et al.
3,409,249 A 11/1968 Bergquist et al.
3,592,559 A 7/1971 Ward
4,025,230 A 5/1977 Kastan
4,307,533 A 12/1981 Sims et al.
4,629,440 A 12/1986 McKittrick et al.
D294,605 S 3/1988 Matsumoto
5,240,204 A 8/1993 Kunz
5,255,871 A 10/1993 Ikeda
D357,894 S 5/1995 Arnold et al.
5,609,312 A 3/1997 Arlton et al.
5,628,620 A 5/1997 Arlton
D388,048 S 12/1997 Collins et al.
5,836,545 A 11/1998 Arlton et al.
5,879,131 A 3/1999 Arlton et al.
D421,279 S 2/2000 Tsai
6,032,899 A 3/2000 Mondet et al.
6,039,541 A 3/2000 Parker et al.
D425,853 S 5/2000 Caporaletti
D467,861 S 12/2002 Lee
6,632,119 B2 10/2003 Chernek et al.
6,659,721 B1 12/2003 Parker et al.
6,719,244 B1 4/2004 Gress
6,884,034 B1 4/2005 Parker et al.
6,929,215 B2 8/2005 Arlton

D524,229 S 7/2006 Stille et al.
D524,230 S * 7/2006 Stille et al. D12/327
D524,718 S * 7/2006 Scott et al. D12/327
D548,803 S * 8/2007 Zimet D21/442
2002/0109044 A1 8/2002 Rock
2004/0087241 A1 5/2004 Agostini et al.
2005/0121533 A1 6/2005 Isawa et al.
2006/0231677 A1 10/2006 Zimet et al.
2007/0012818 A1 1/2007 Miyazawa et al.

FOREIGN PATENT DOCUMENTS

DE 40 17 402 A1 12/1991
GB 916894 A 1/1963
GB 1081341 A 8/1967
JP 2005193905 A 7/2005
JP 2004121798 A 12/2006

OTHER PUBLICATIONS

Photographic reference #2, helicopter displaying writing in French on tail.
Photographic reference #3, explanation of the function of a flybar.
Photographic reference #4, toy helicopter, www.raidentech.com.
Photographic reference #5, toy helicopter.
Photographic reference #6, helicopter.
Photographic reference #7, helicopter with M40297 or MA0297 displayed on tail.
Photographic reference #8, toy helicopter #AHS-23900, hstoy.en.alibaba.com.
Photographic reference #9, toy helicopter, toys999.en.alibaba.com.
Mill, Colin. "Practical Theories, Part 9", W3MH—World Wide Web Model *Helicopter Magazine*, Jul. 1996, <http://www.w3mh.co.uk/articles/html/csm9-11.htm>.
Day, David. "Moving Swashplates & CCPM", 2001-2006. See <http://www.iroquois.free-online.co.uk>.

* cited by examiner

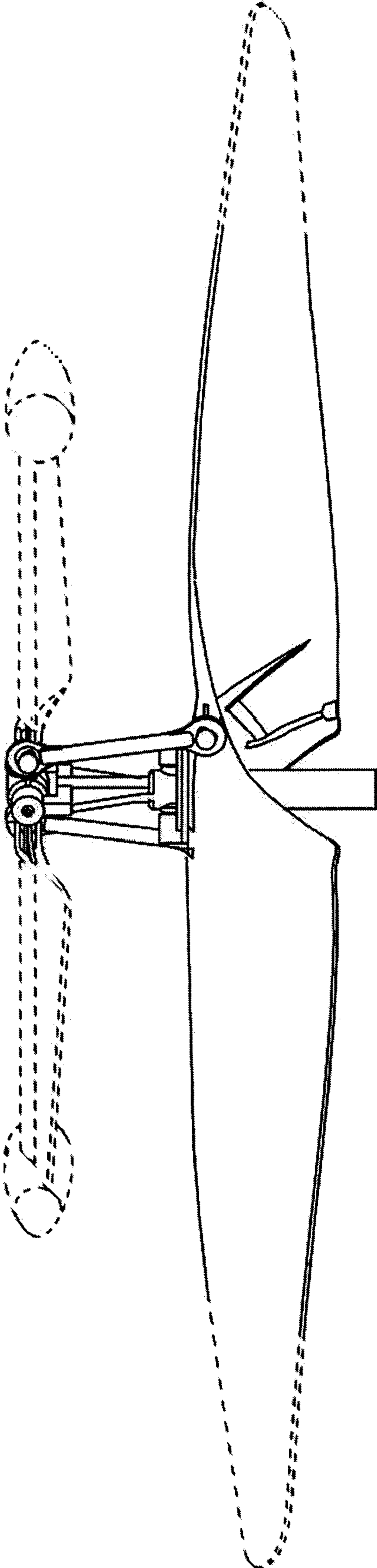


FIG. 1

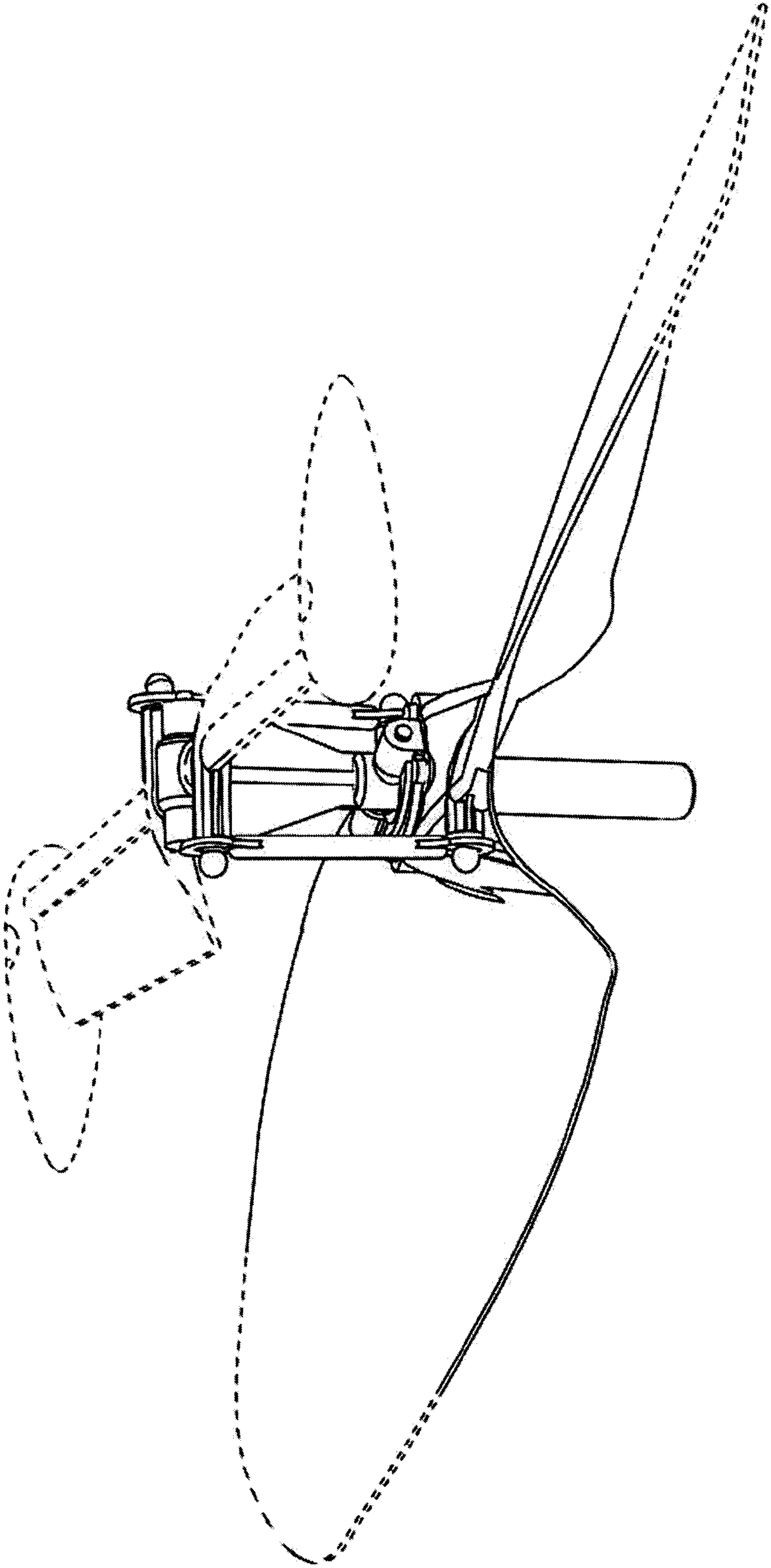


FIG. 2

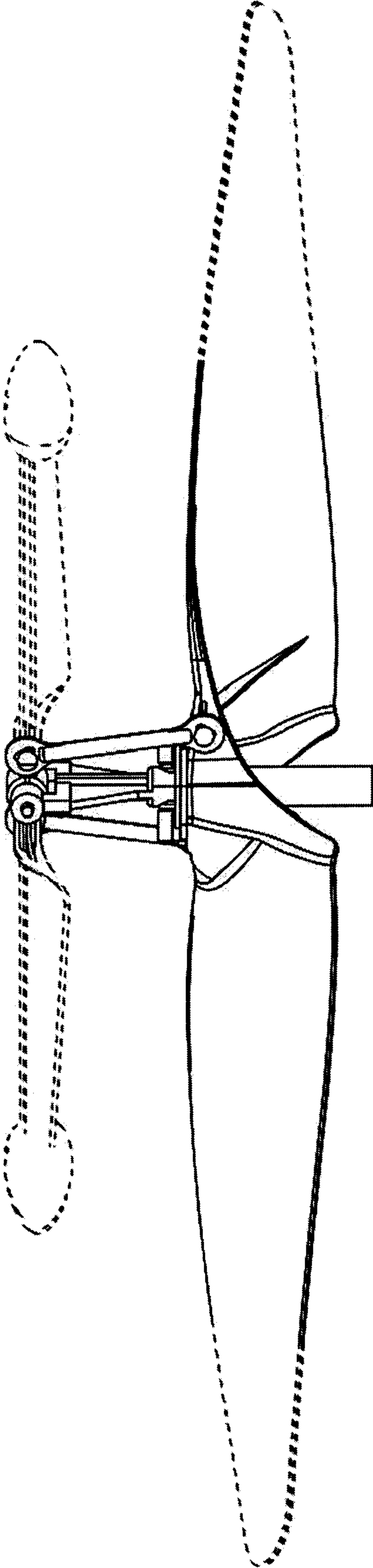


FIG. 3

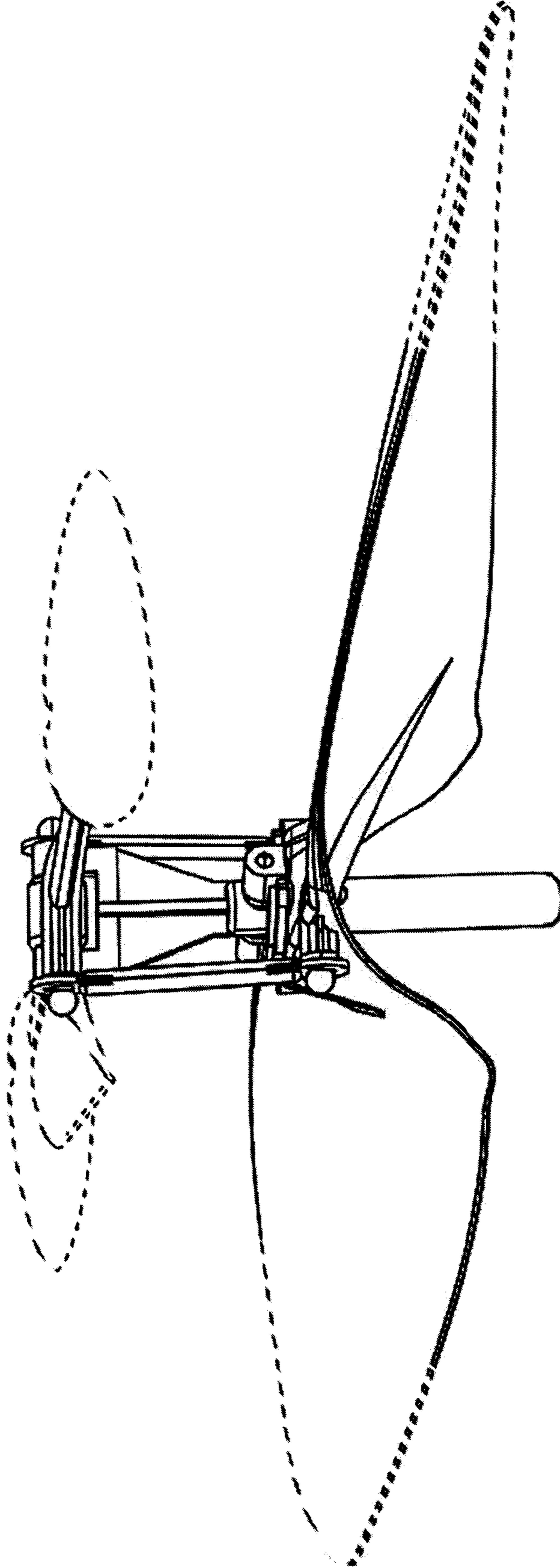


FIG. 4

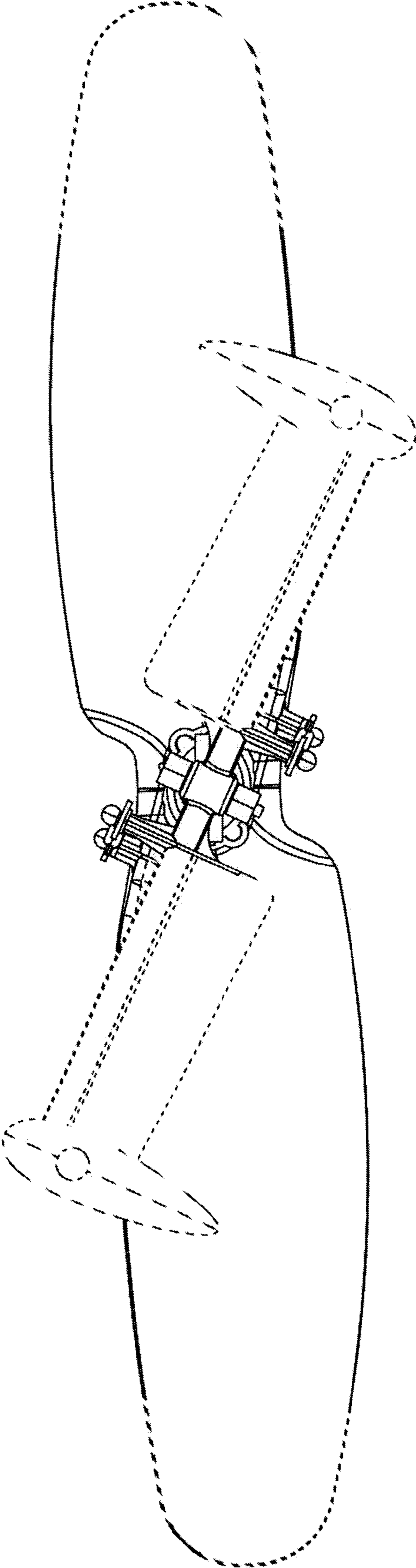


FIG. 5