

US00D561675S

(12) **United States Design Patent**
Czipri

(10) **Patent No.:** **US D561,675 S**

(45) **Date of Patent:** **** Feb. 12, 2008**

(54) **BOAT CLEAT**

2006/0112869 A1* 6/2006 King 114/218

(75) Inventor: **John Czipri**, Palm Harbor, FL (US)

* cited by examiner

(73) Assignee: **R & D Shed LLC**, Palm Harbor, FL (US)

Primary Examiner—Holly H. Baynham

Assistant Examiner—Cynthia M. Chin

(74) *Attorney, Agent, or Firm*—McKee, Voorhees & Sease, P.L.C.

(**) Term: **14 Years**

(21) Appl. No.: **29/281,075**

(57) **CLAIM**

(22) Filed: **Jun. 14, 2007**

The ornamental design for a boat cleat, as shown and described.

(51) **LOC (8) Cl.** **12-06**

(52) **U.S. Cl.** **D12/317; D8/356**

(58) **Field of Classification Search** D12/317, D12/318; D8/356, 382; 114/217, 218
See application file for complete search history.

DESCRIPTION

FIG. 1 is a bottom perspective view of the boat cleat of the present invention, wherein the cleat head is pulled upwardly from the cleat base so as to be in a use position.

FIG. 2 is a top perspective view of the boat cleat of the present invention in the use position.

FIG. 3 is an end elevation view of the cleat in the used position, with the opposite end being identical.

FIG. 4 is a side elevation view of the cleat in the used position, with the opposite side being identical; and,

FIG. 5 is a top plan view of the cleat.

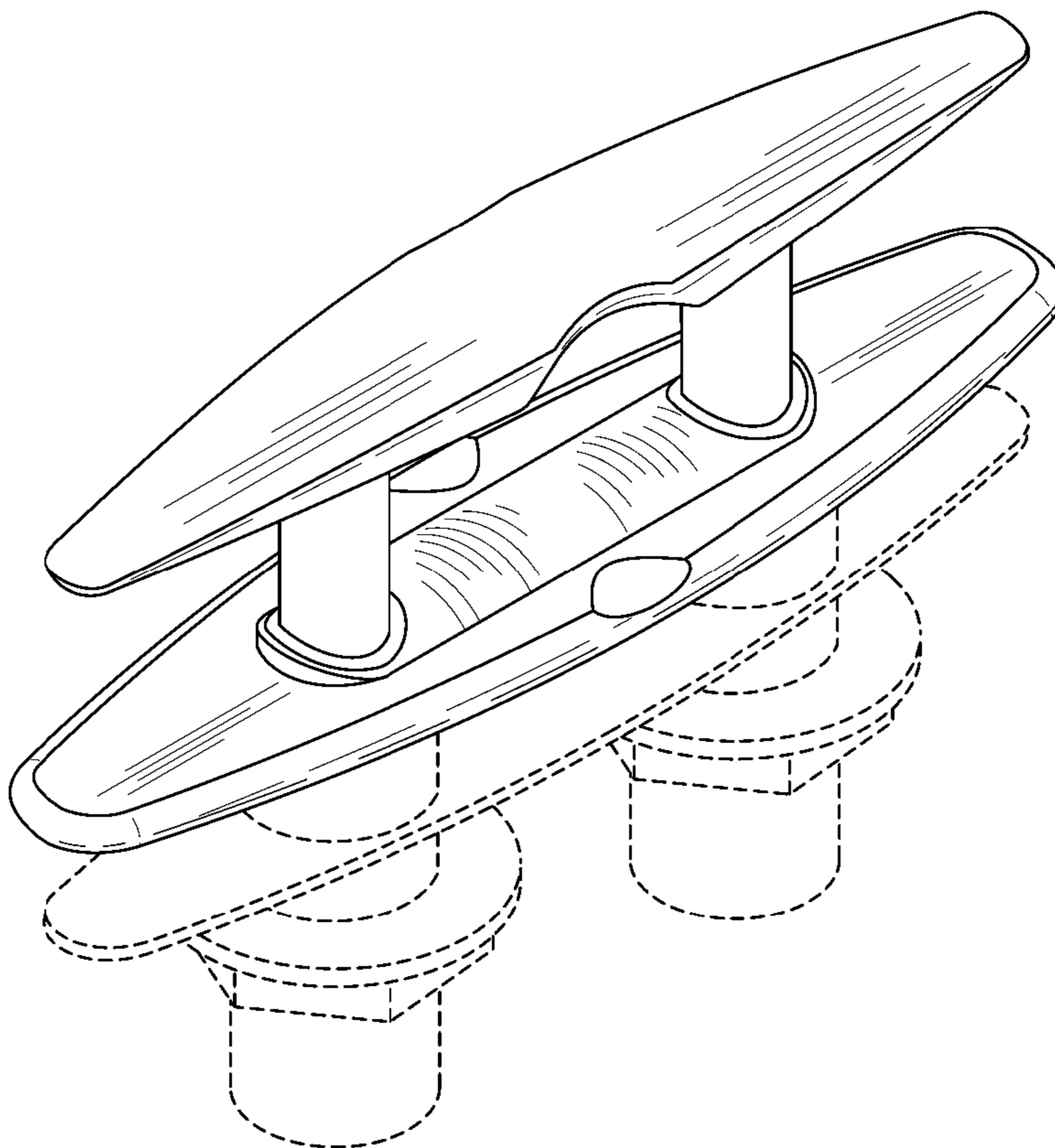
The structure shown by broken lines does not constitute part of the present invention.

(56) **References Cited**

U.S. PATENT DOCUMENTS

5,983,820	A *	11/1999	Whitley	114/218
D432,395	S *	10/2000	Whitley	D8/356
6,651,576	B1 *	11/2003	Lo	114/218
D501,176	S *	1/2005	King	D12/317
6,968,796	B1 *	11/2005	Burke	114/218
D522,349	S *	6/2006	Amy	D8/356
7,131,387	B1 *	11/2006	Czipri	114/218
D551,540	S *	9/2007	Czipri et al.	D8/356
2005/0252436	A1 *	11/2005	King	114/218
2006/0054070	A1 *	3/2006	Lopes Praca	114/218

1 Claim, 5 Drawing Sheets



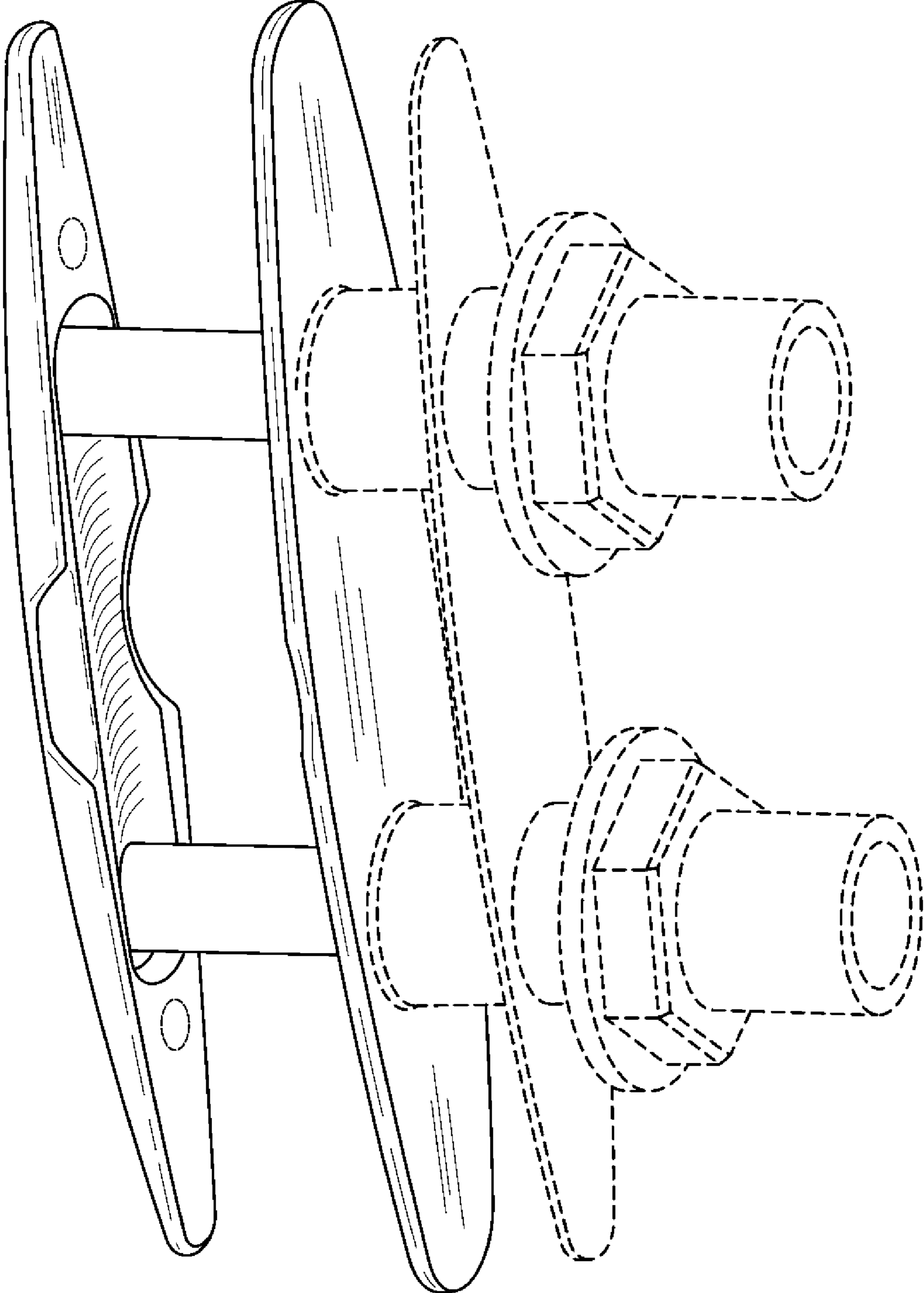


FIG. 1

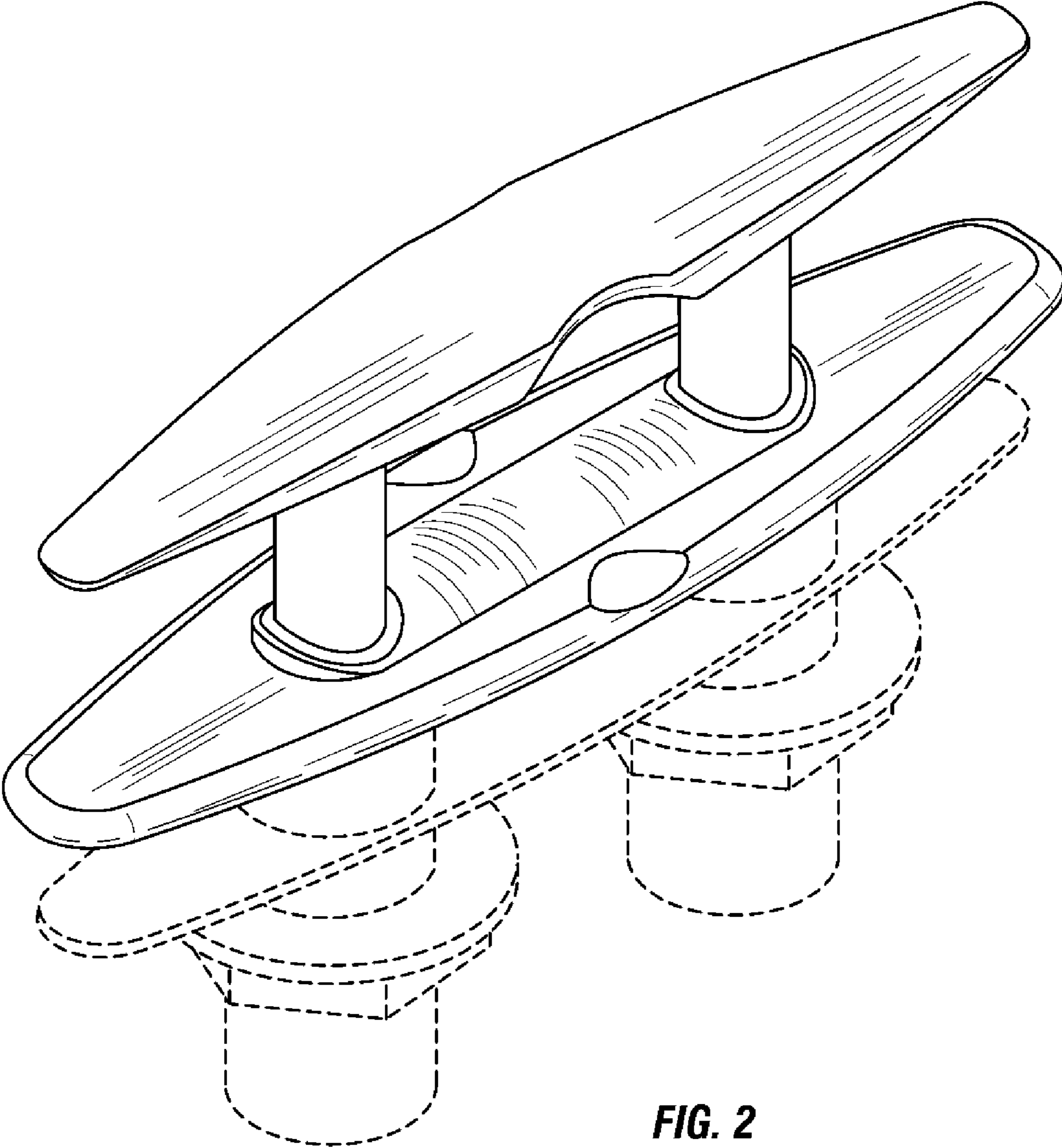


FIG. 2

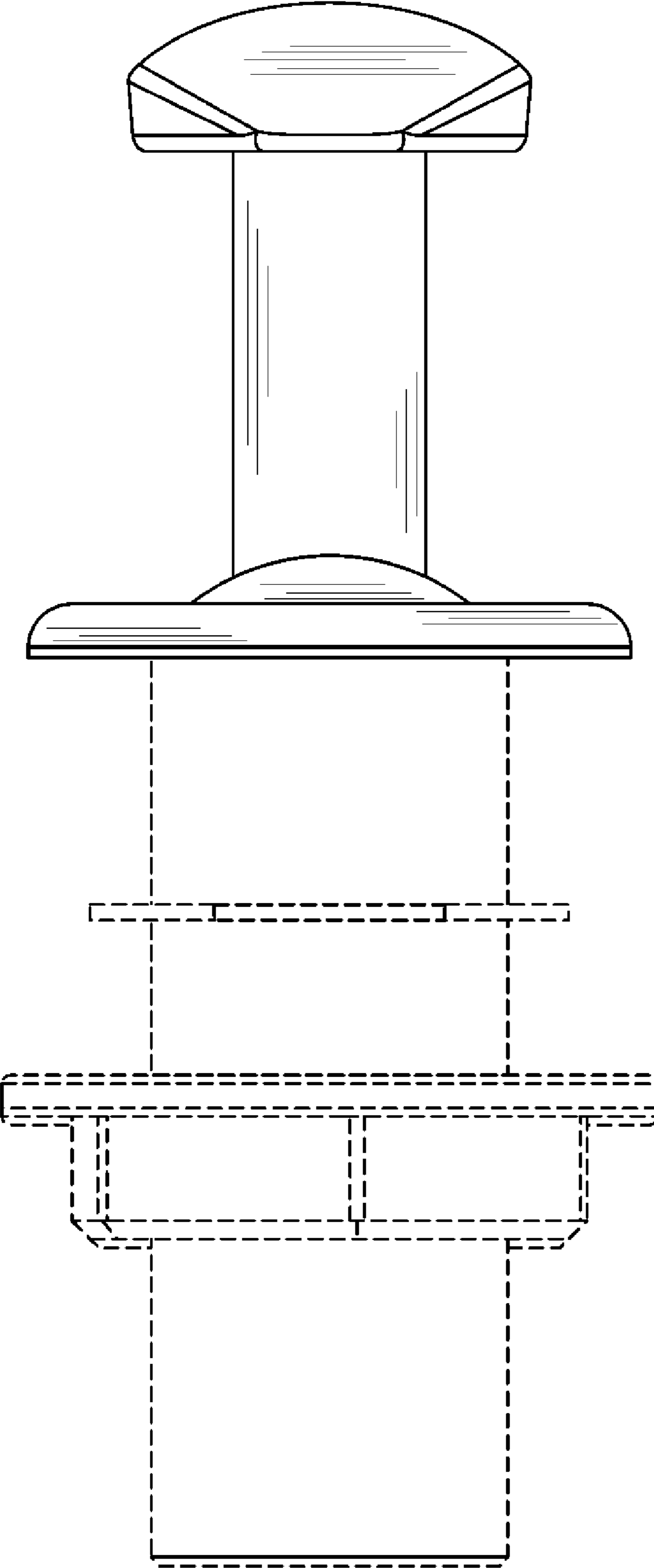


FIG. 3

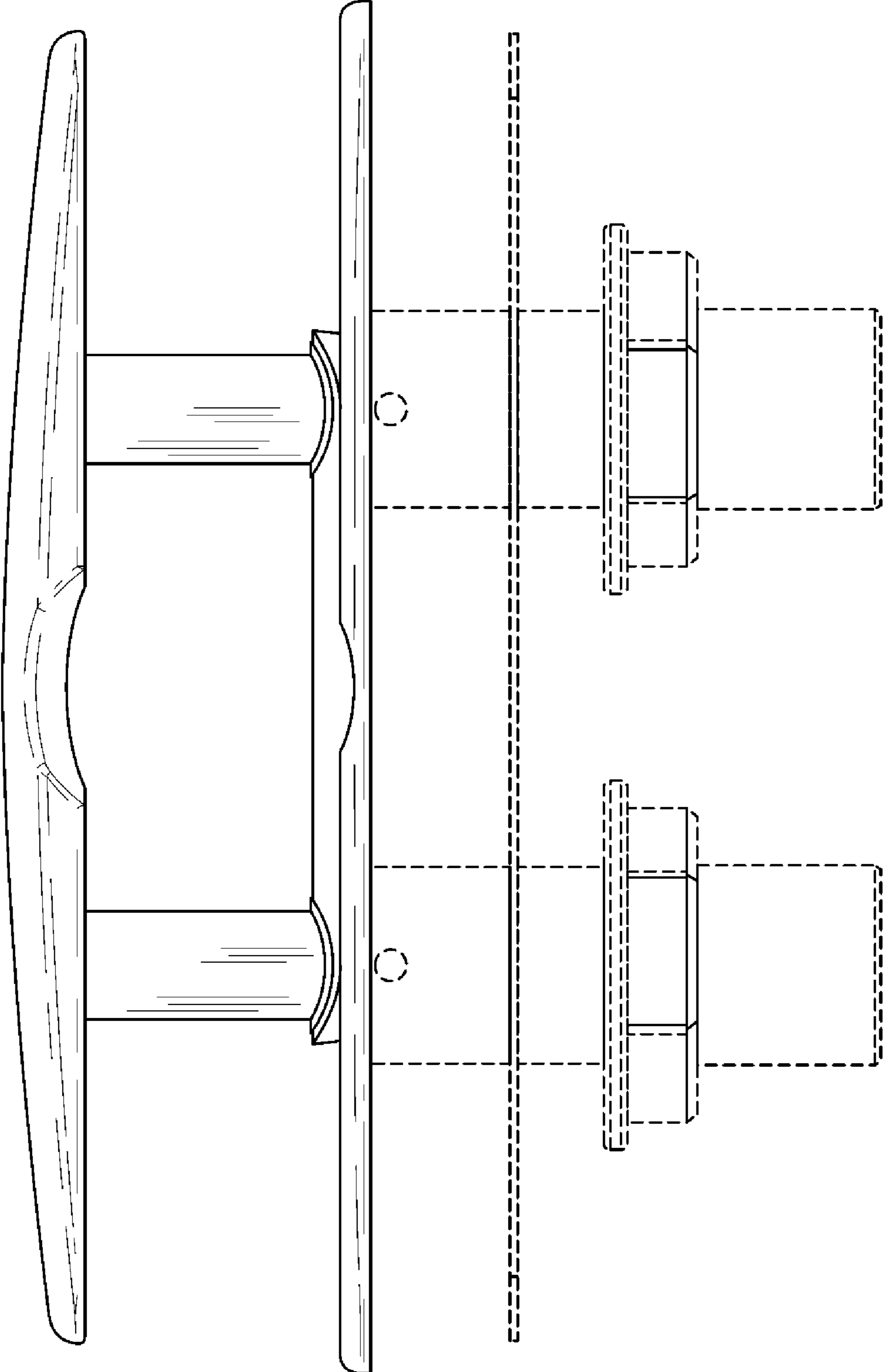


FIG. 4

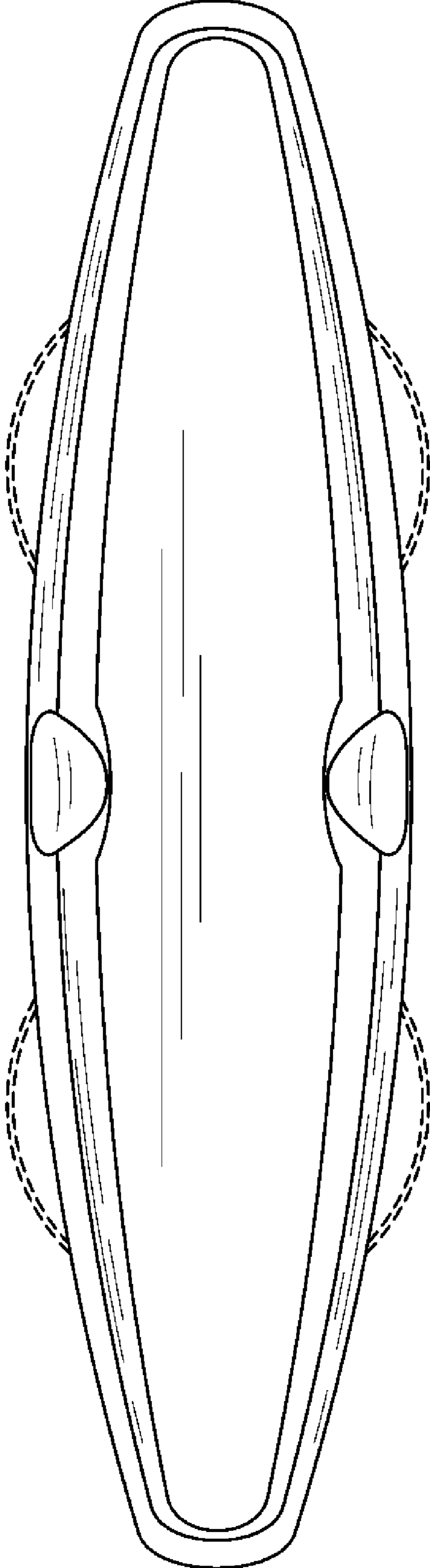


FIG. 5