

US00D561671S

(12) **United States Design Patent**
Ma

(10) **Patent No.:** **US D561,671 S**
(45) **Date of Patent:** **** Feb. 12, 2008**

(54) **CLIP-ON SUN VISOR**

(76) Inventor: **Frank M. S. Ma**, 1545 Hampton Rd.,
Charleston, WV (US) 25314

(**) Term: **14 Years**

(21) Appl. No.: **29/248,168**

(22) Filed: **Aug. 1, 2006**

(51) **LOC (8) Cl.** **12-16**

(52) **U.S. Cl.** **D12/191**

(58) **Field of Classification Search** D12/191,
D12/400, 417; 296/97.1, 97.4-97.13; 160/DIG. 3,
160/370.21-370.23; 224/312; D2/894,
D2/865; D16/340

See application file for complete search history.

(56) **References Cited**

U.S. PATENT DOCUMENTS

| | | | | | | |
|-----------|---|---|---------|------------------|-------|----------|
| 1,434,750 | A | * | 11/1922 | Pratt | | 296/97.9 |
| D149,104 | S | * | 3/1948 | Baratelli et al. | | D12/191 |
| D217,343 | S | * | 4/1970 | Seida | | D12/191 |
| D310,653 | S | * | 9/1990 | Aizawa et al. | | D12/191 |
| D310,810 | S | * | 9/1990 | Lewis | | D12/191 |
| D312,608 | S | * | 12/1990 | Wong et al. | | D12/191 |
| D344,530 | S | * | 2/1994 | Johnson | | D16/340 |

| | | | | | | |
|-----------|----|---|---------|---------------|-------|---------|
| D354,038 | S | * | 1/1995 | Redhawk | | D12/191 |
| D364,033 | S | * | 11/1995 | Romano | | D2/894 |
| D395,029 | S | * | 6/1998 | Hare | | D12/191 |
| D426,183 | S | * | 6/2000 | Brooks et al. | | D12/191 |
| 6,386,408 | B1 | * | 5/2002 | Beatty | | 224/312 |

* cited by examiner

Primary Examiner—Stacia Cadmus

(57) **CLAIM**

The ornamental design for a clip-on sun visor, as shown and described.

DESCRIPTION

FIG. 1 is a rear perspective view of a clip-on sun visor showing my new design,;

FIG. 2 is a front perspective view thereof;

FIG. 3 is a front view thereof;

FIG. 4 is a rear view thereof;

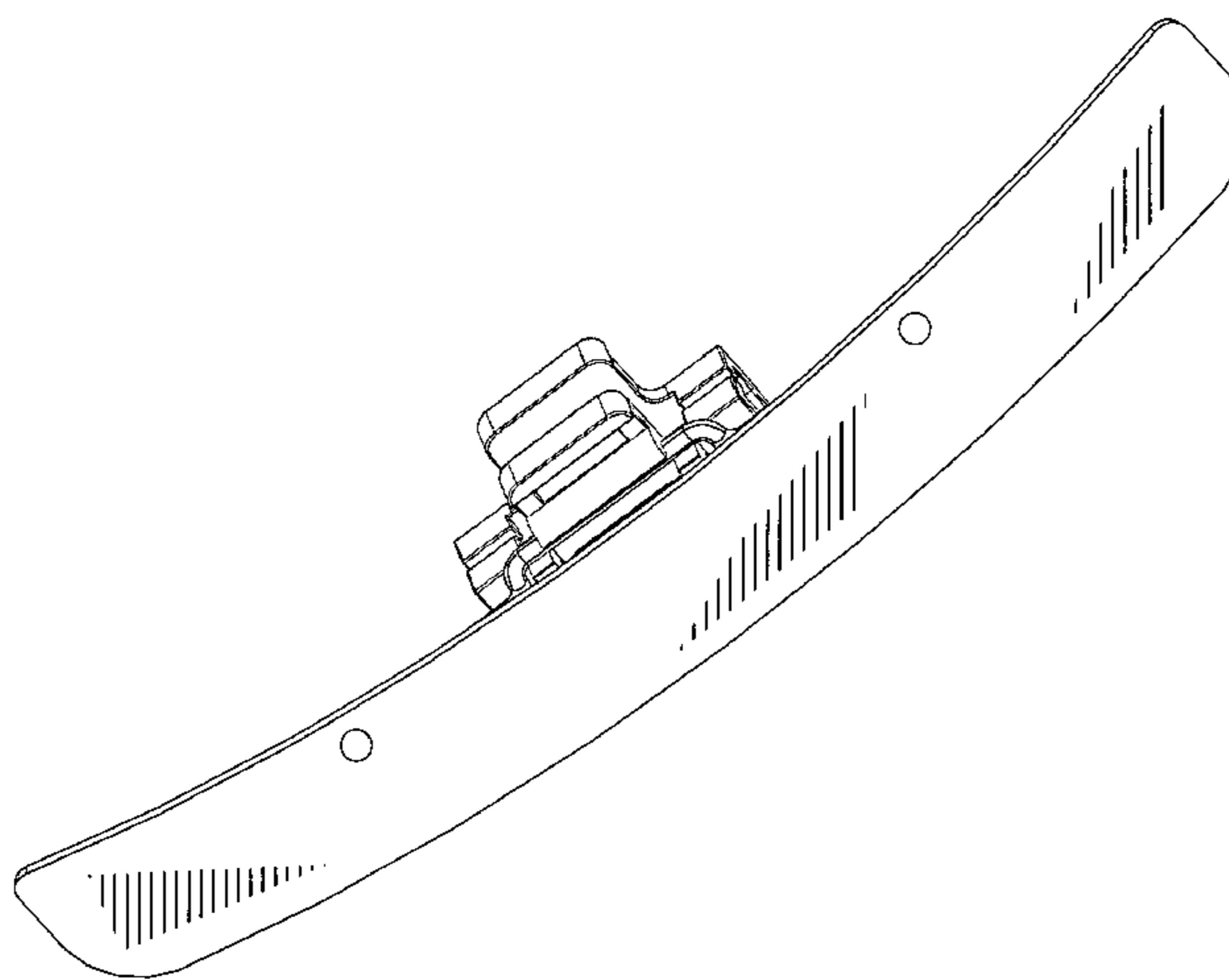
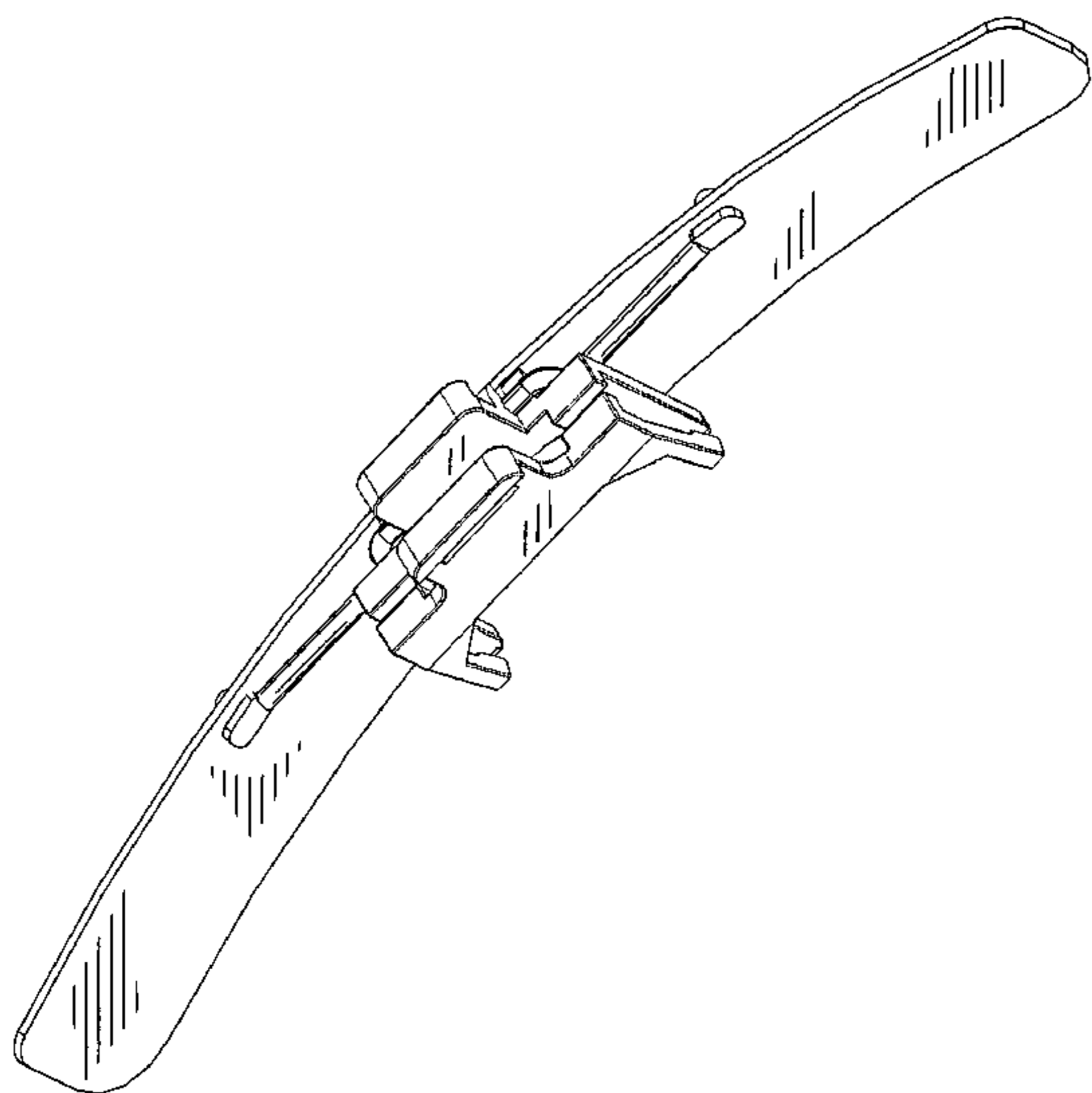
FIG. 5 is a right side view thereof;

FIG. 6 is a left side view thereof;

FIG. 7 is a top plan view thereof; and,

FIG. 8 is a bottom plan view thereof.

1 Claim, 5 Drawing Sheets



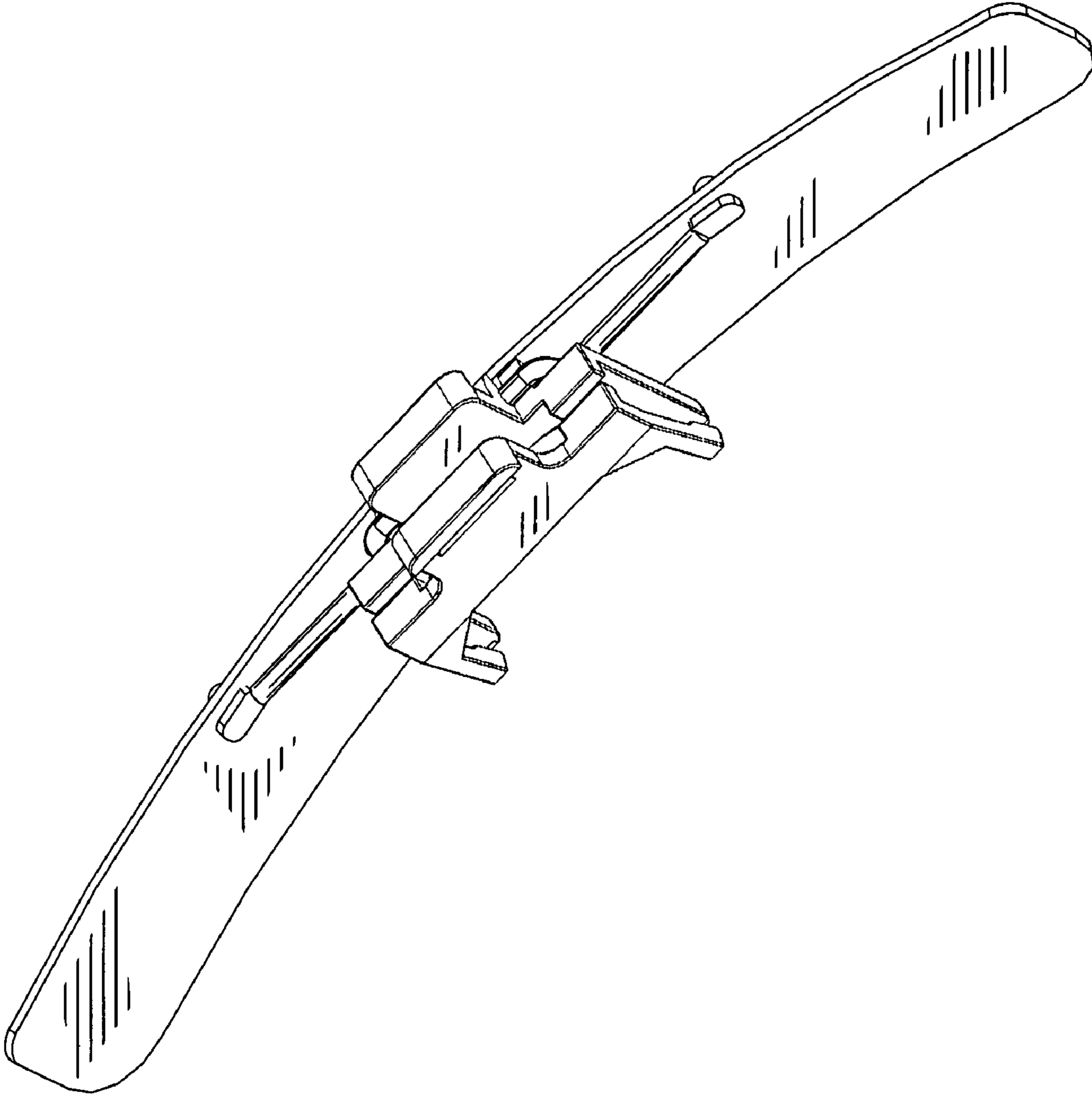


Fig. 1

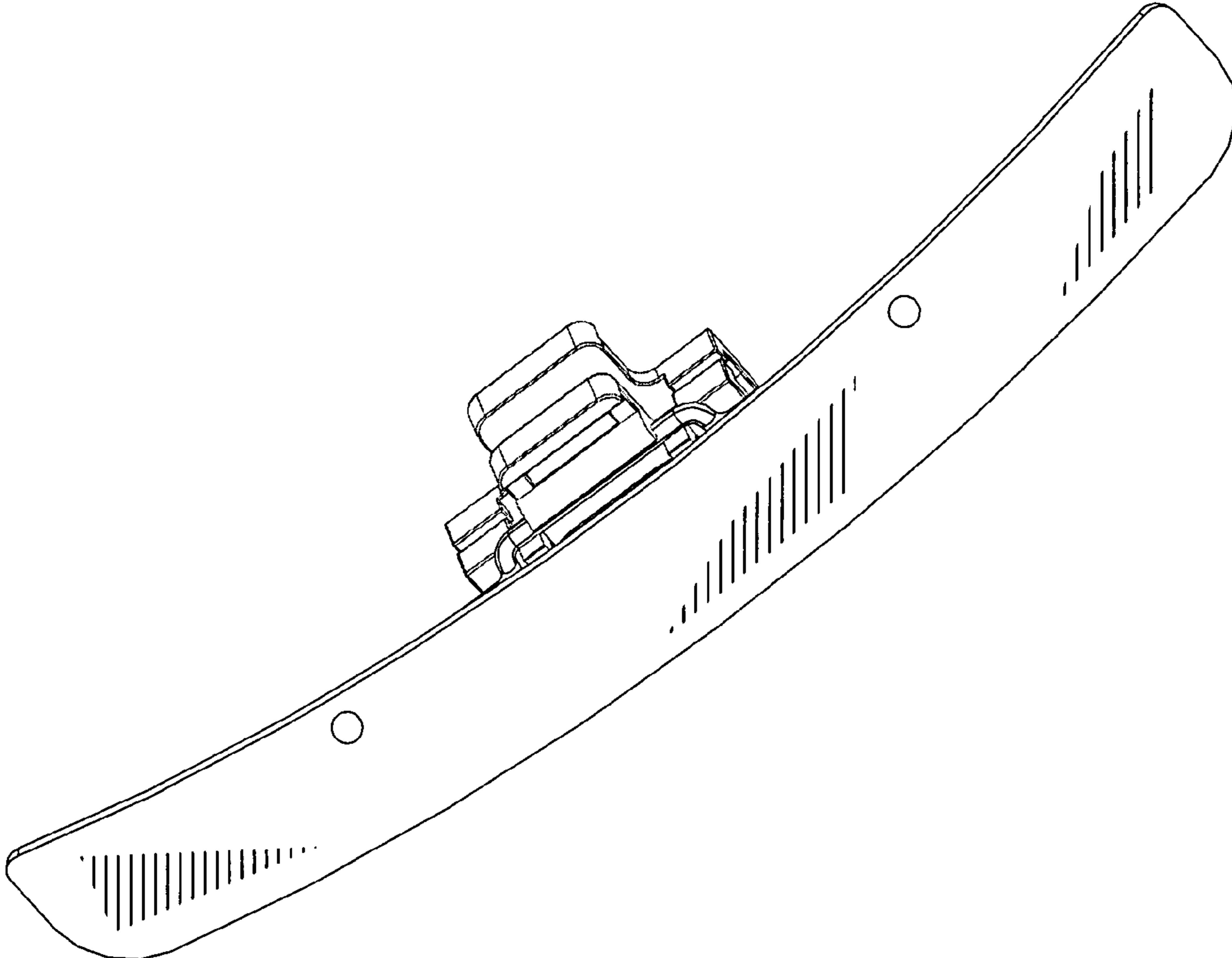


Fig. 2

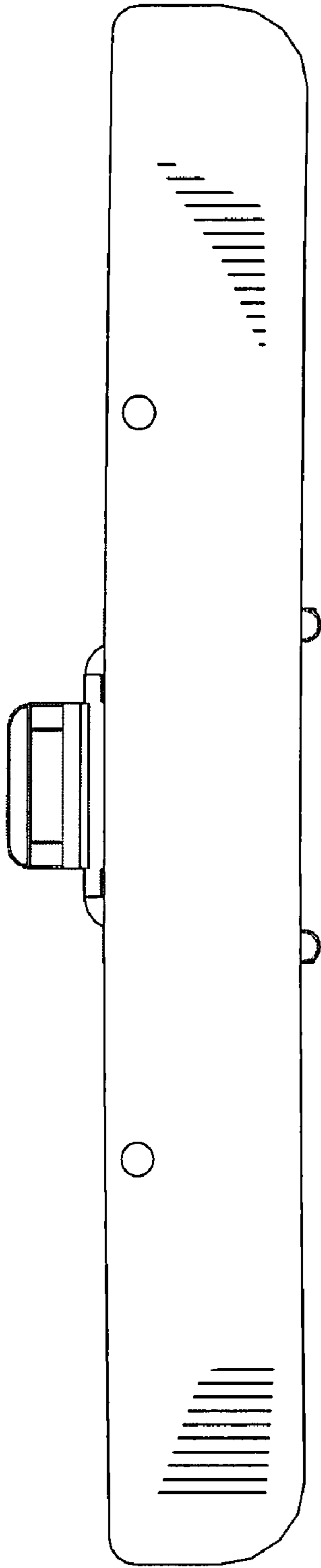


Fig. 3

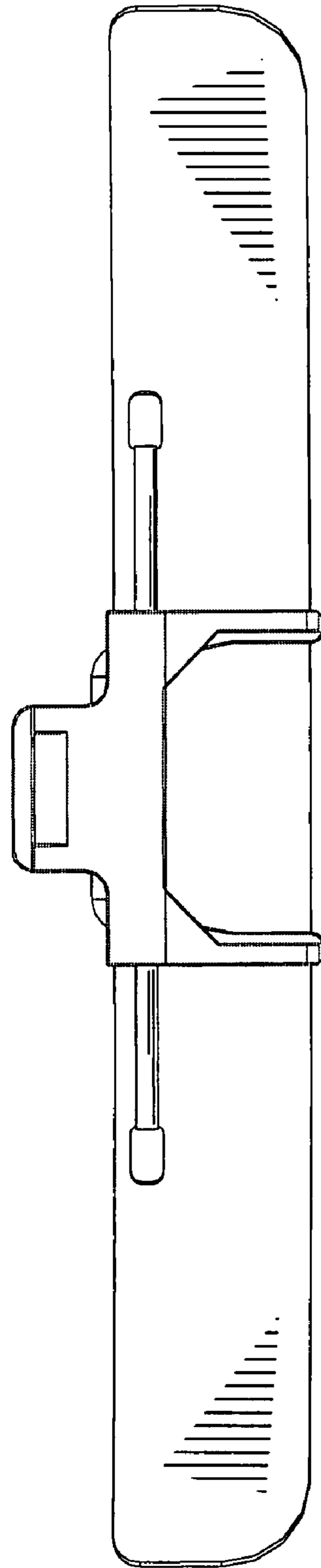


Fig. 4

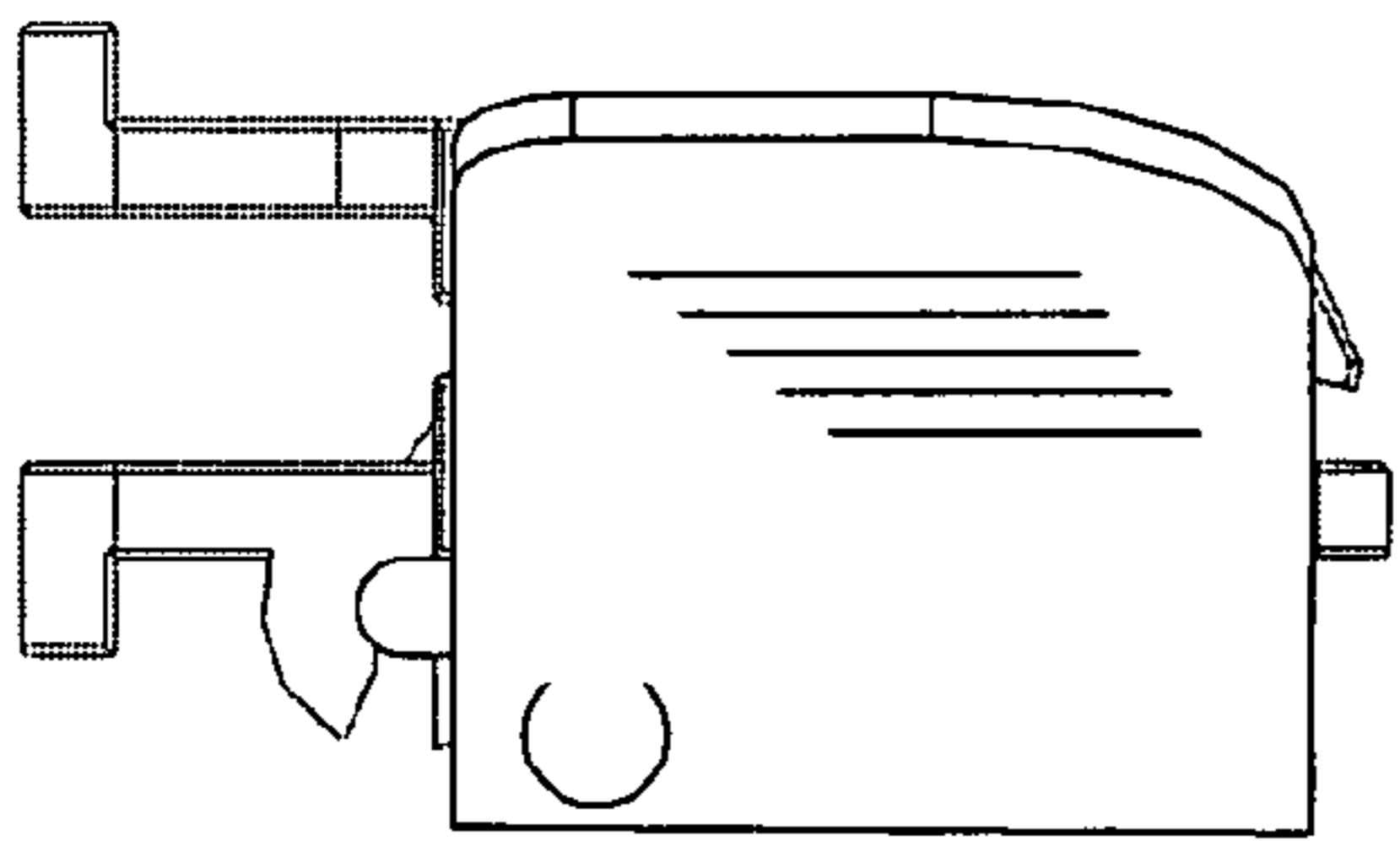


Fig. 5

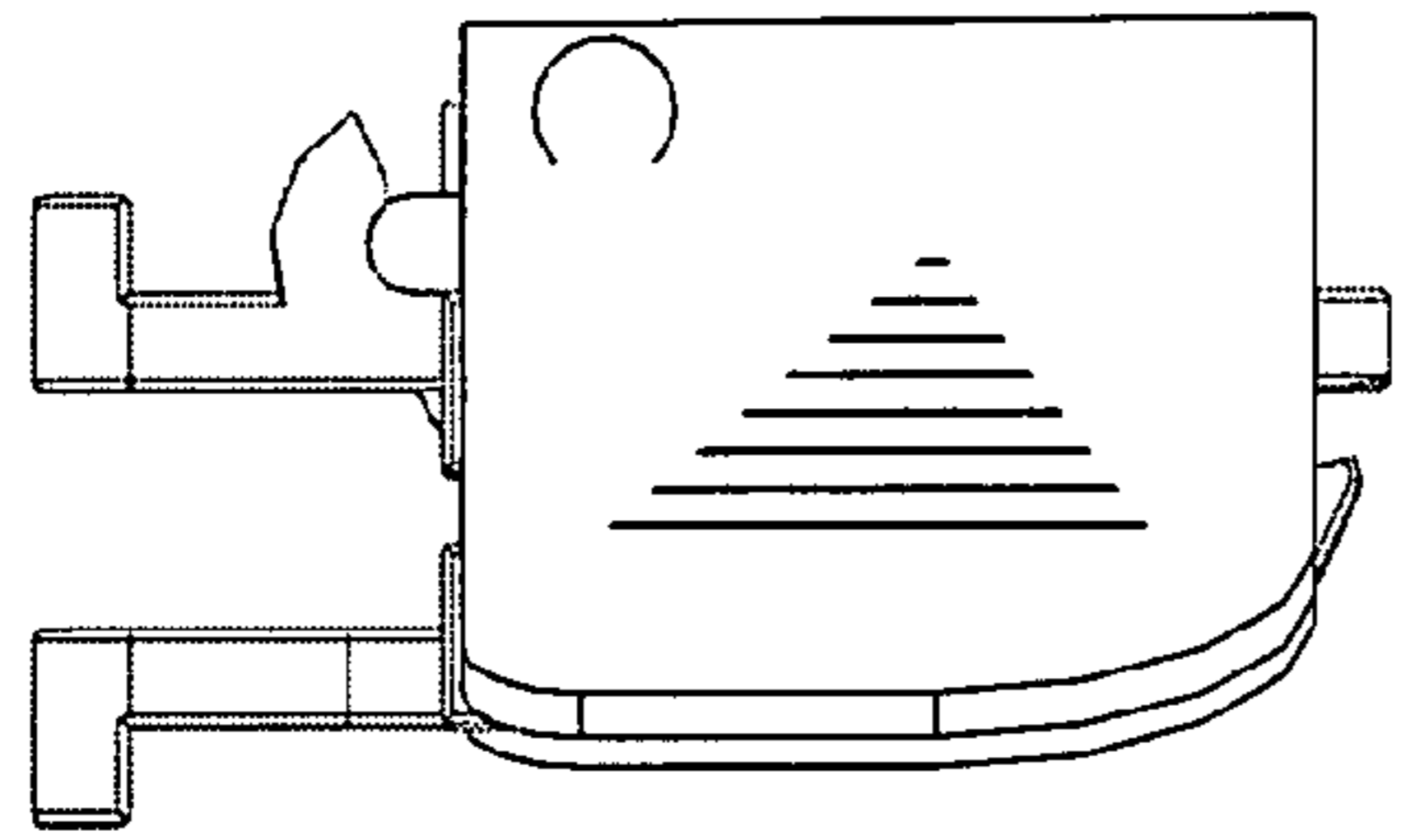


Fig. 6

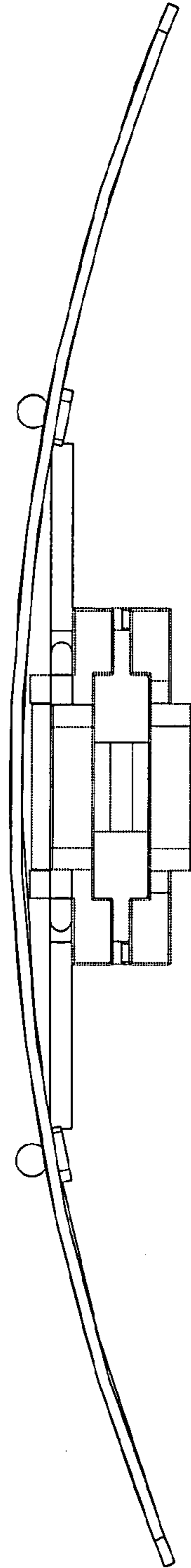


Fig. 7

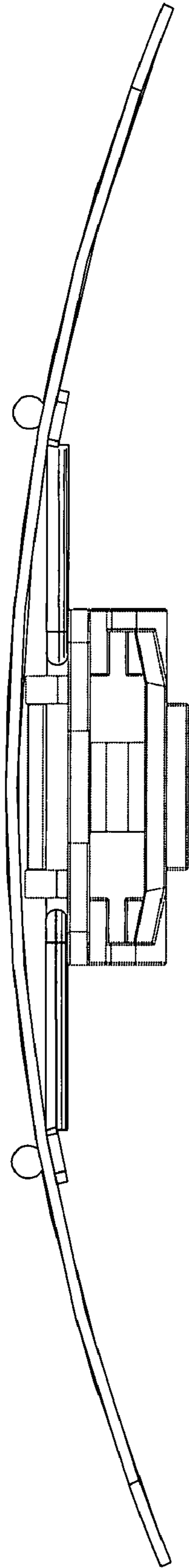


Fig. 8